

5954-K121/K122/K123/K124

15" USB DynaKey Magnetic Stripe Reader

Kit Instructions



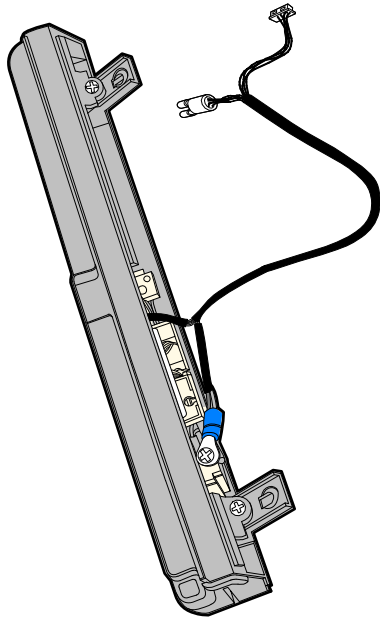
Issue A

Revision Record

Issue	Date	Remarks
A	Aug 2009	First issue

Introduction

This kit provides an optional Magnetic Stripe Reader (MSR) that installs on the side of the USB 5954 DynaKey.



26933

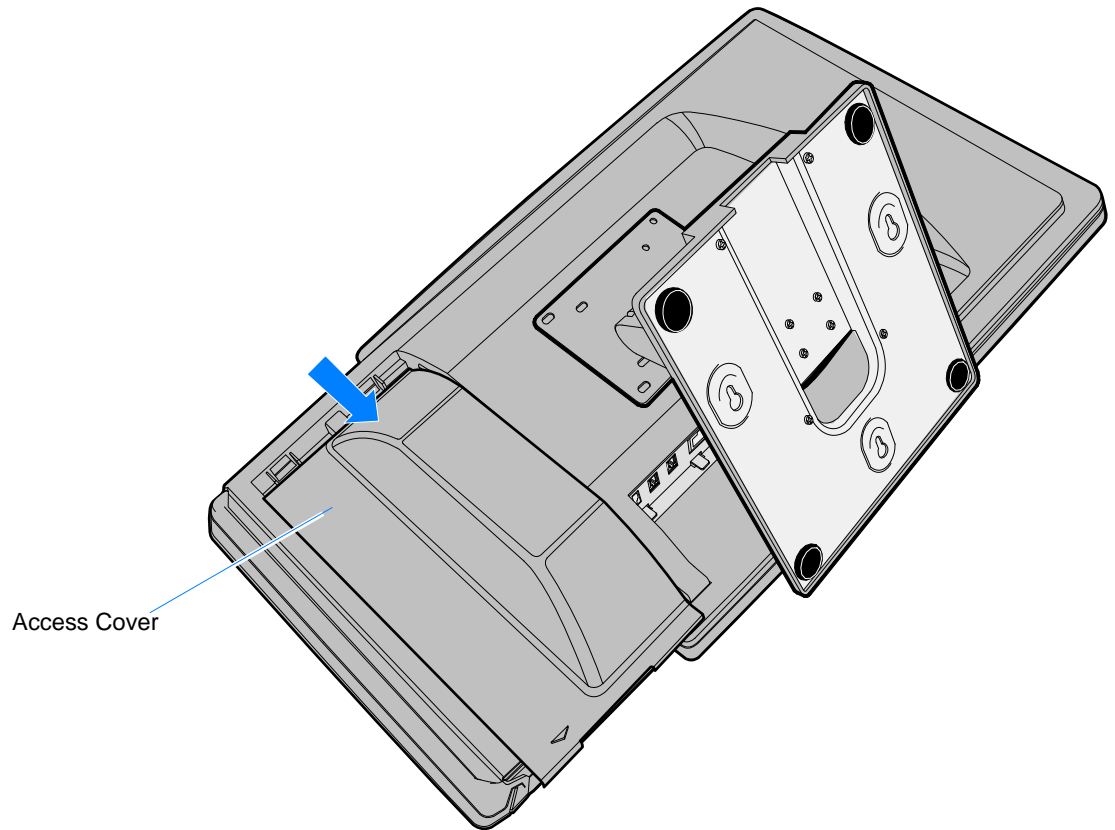
There are four versions:

Kit No.	Description
5954-K121	JIS (Beige, G11)
5954-K122	JIS (Charcoal, CG1)
5954-K123	3-Track ISO (Beige, G11)
5954-K124	3-Track ISO (Charcoal, CG1)

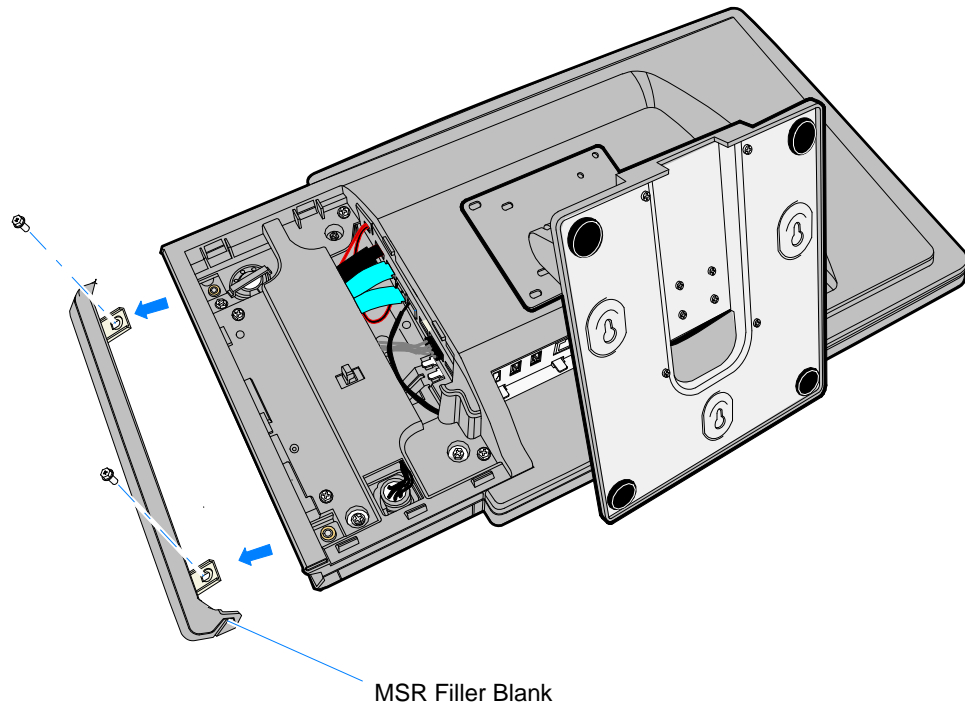
Installation Procedures

Caution: Static Electricity Discharge may permanently damage your system. Discharge any static electricity build up in your body by touching your computer's case for a few seconds. Avoid any contact with internal parts and handle cards only by their external edges.

1. Disconnect the USB/Power and video cables.
2. Lay the display face down on a flat surface.
3. Remove the Access Cover by gently bumping it in the direction shown below and then remove it from the cabinet.

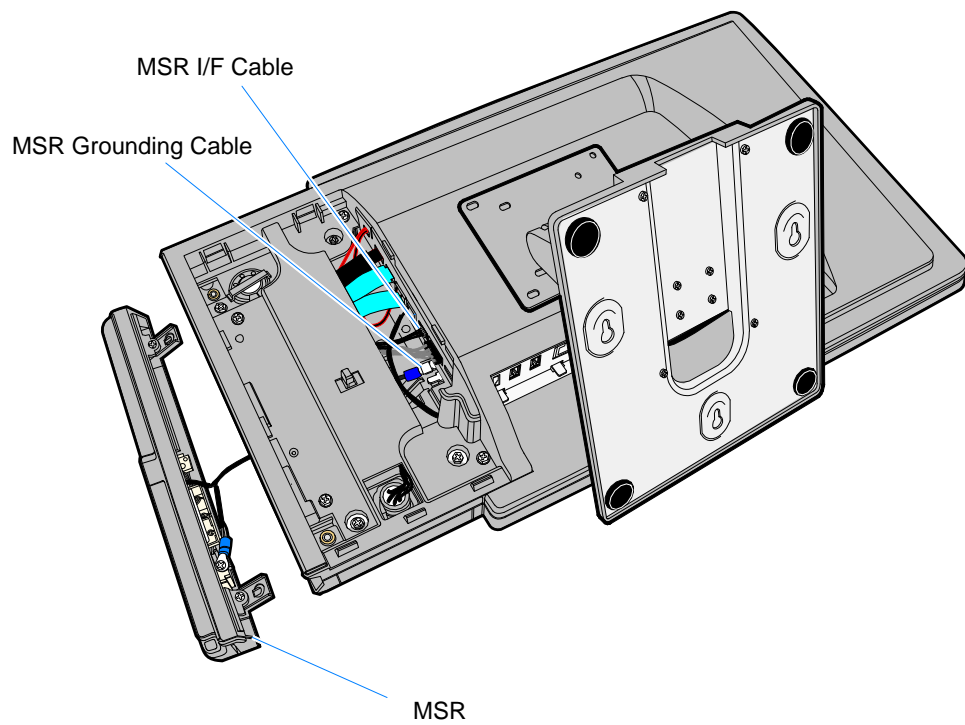


4. Remove the MSR Filler Blank (2 screws).



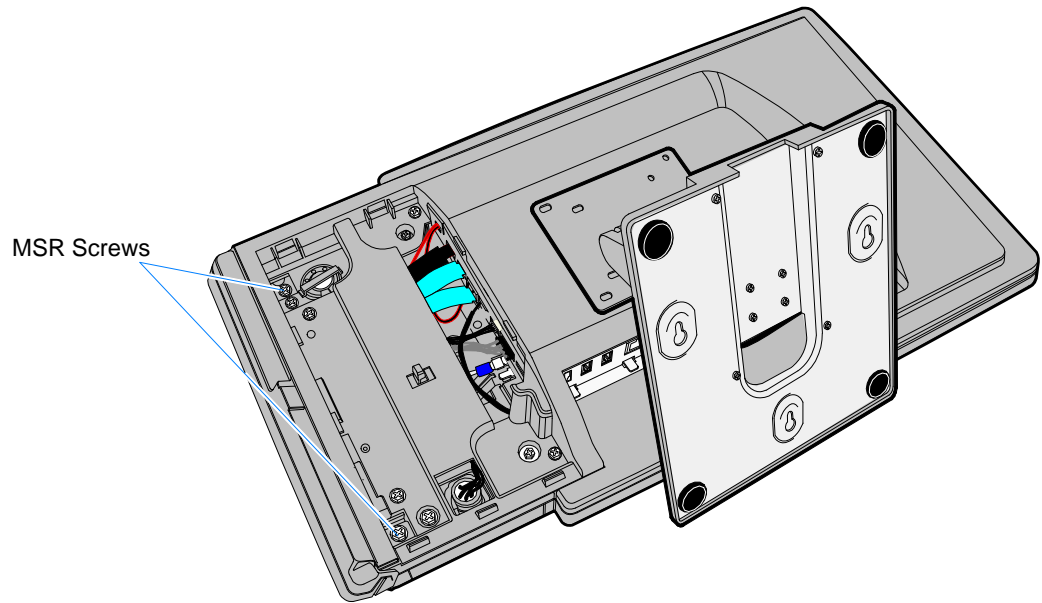
26929

5. Insert the MSR Cable into the cabinet
6. Connect the MSR I/F Cable and the MSR Ground Cable to the 5954.



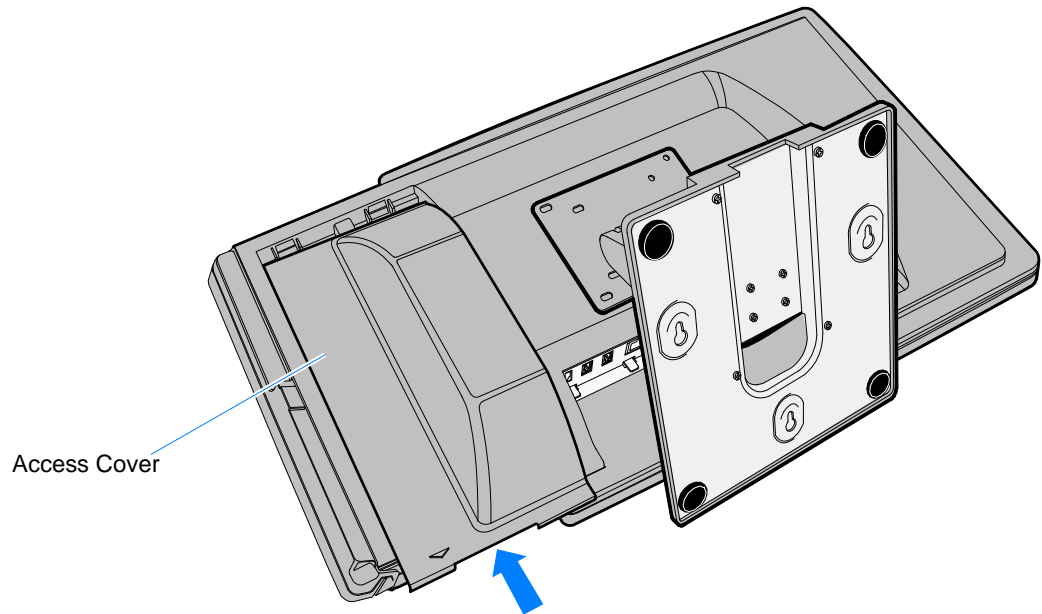
26930

7. Install the MSR and secure it with screws (2).



26927

8. Replace the Access Cover. Align the tabs on the bottom of the Access Cover with the extensions in the 5954 cabinet and bump the cover into position as shown.



26932