

Kit Instructions

10.4-inch LCD Customer Display

4505-K451
Issue A



The product described in this document is a licensed product of NCR Corporation.

NCR is a registered trademark of NCR Corporation. Product names mentioned in this publication may be trademarks or registered trademarks of their respective companies and are hereby acknowledged.

Where creation of derivative works, modifications or copies of this NCR copyrighted documentation is permitted under the terms and conditions of an agreement you have with NCR, NCR's copyright notice must be included.

It is the policy of NCR Corporation (NCR) to improve products as new technology, components, software, and firmware become available. NCR, therefore, reserves the right to change specifications without prior notice.

All features, functions, and operations described herein may not be marketed by NCR in all parts of the world. In some instances, photographs are of equipment prototypes. Therefore, before using this document, consult with your NCR representative or NCR office for information that is applicable and current.

To maintain the quality of our publications, we need your comments on the accuracy, clarity, organization, and value of this book. Please use the link below to send your comments.

Email: FD230036@ncr.com

Copyright © 2018
By NCR Corporation
864 Spring St NW
Atlanta, GA 30308
U.S.A.
All Rights Reserved

Table of Contents

10.4-inch Customer Display

Introduction	1
Kit Components	2
Installation Procedures	3
Laying the Terminal Face Down	4
Removing the Stand	5
Installing the 10.4-inch Customer Display	5
Installing the Stand	7
Connecting the Cables	8

Revision Record

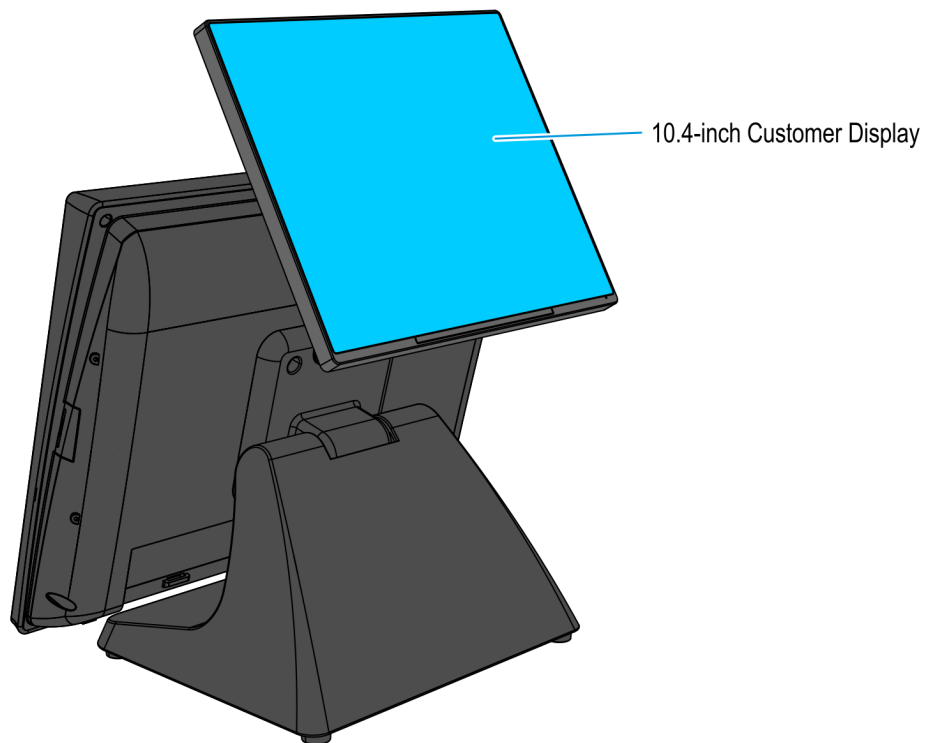
Issue	Date	Remarks
A	Nov 2018	First Issue

10.4-inch Customer Display

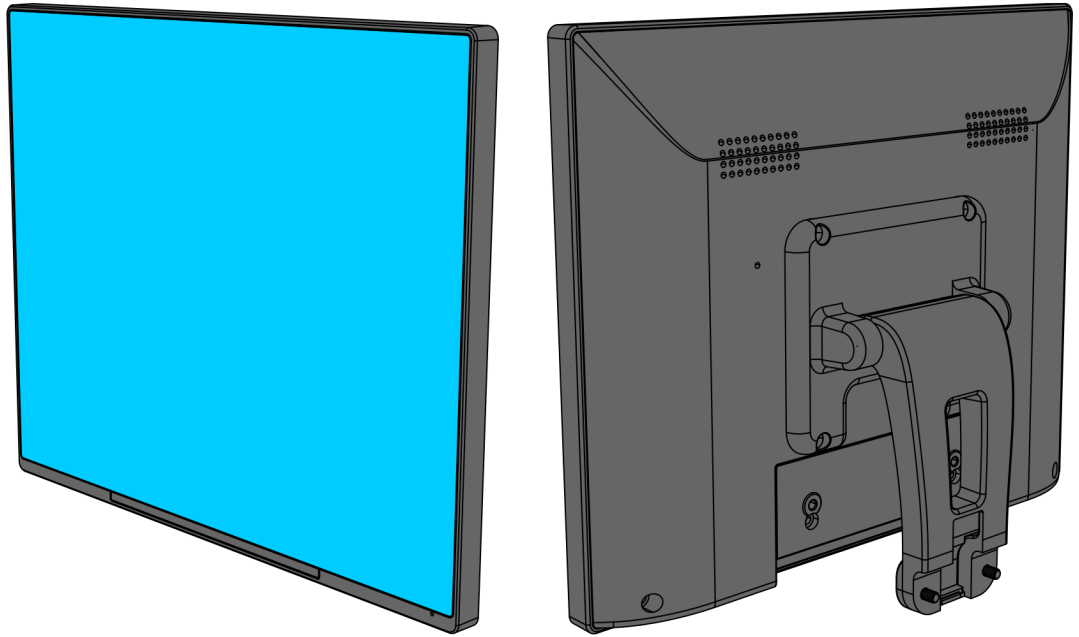
Introduction

This document provides procedures for installing the 10.4-inch LCD Customer Display on the EX15 POS.

The 10.4-inch LCD Customer Display is mounted on the back of the stand. It interfaces to the terminal through VGA port in the display head.



Kit Components



CCP-75277

Part Number	Description
497-0522774	Customer Display, 10.4-inch

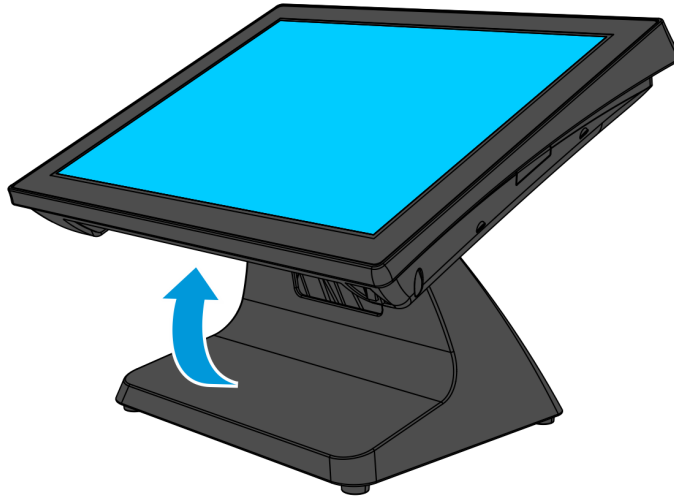
Installation Procedures

To install the 10.4-inch Customer Display, perform the following procedures:

1. Lay the terminal face down.
2. Remove the stand.
3. Install the Customer Display.
4. Re-install the stand.
5. Connect the Customer Display cables to the terminal ports.

Laying the Terminal Face Down

1. Pivot the display toward the back.

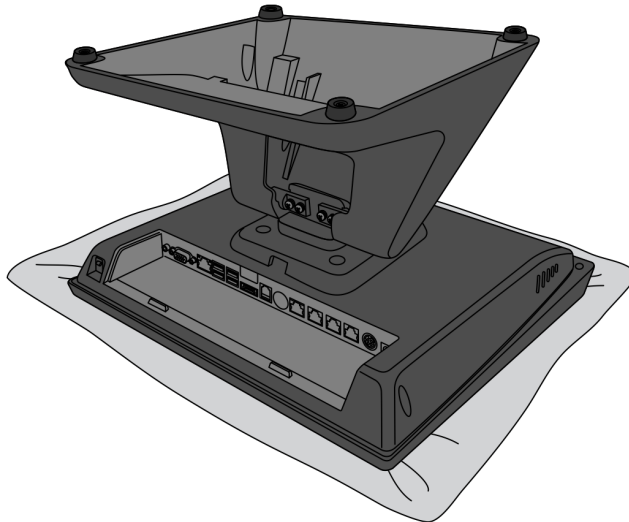


CCP-75246

2. Lay the terminal face down on a flat surface.



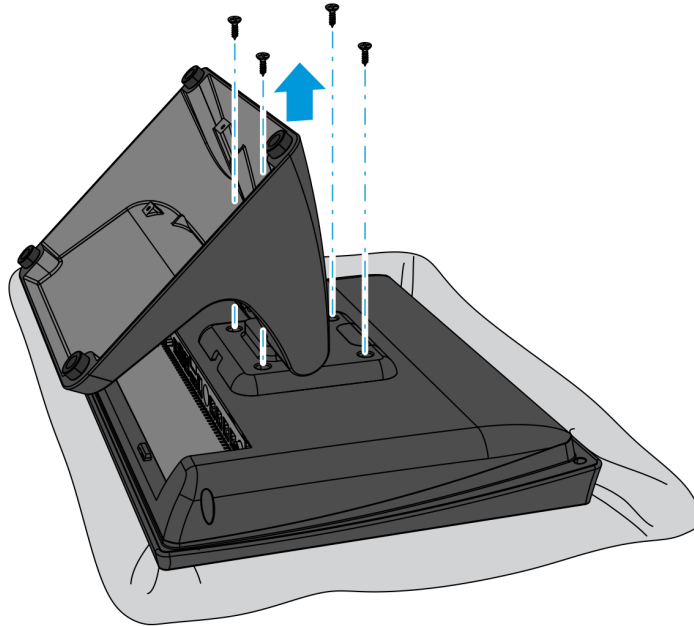
Caution: Always use a soft material (cloth, foam) to protect the display screen when placing the terminal face down.



CCP-75202

Removing the Stand

1. Remove the four screws that secure the stand to the back of the display.

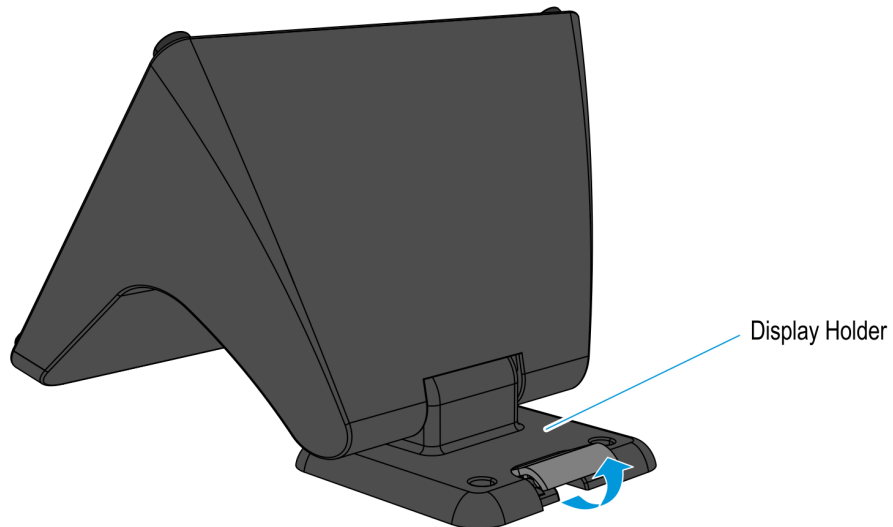


CCP-75268

2. Remove the stand and lay it down on a flat surface.

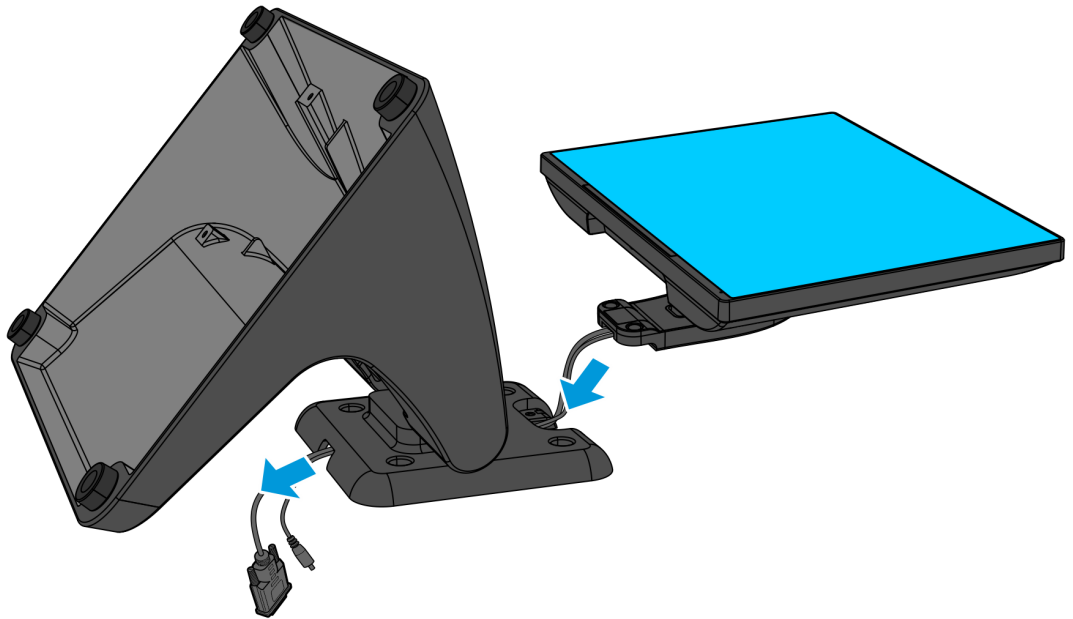
Installing the 10.4-inch Customer Display

1. Remove the compartment cover on the display holder.



CCP-75269

2. Route the Customer Display cables through the compartment on the display holder.

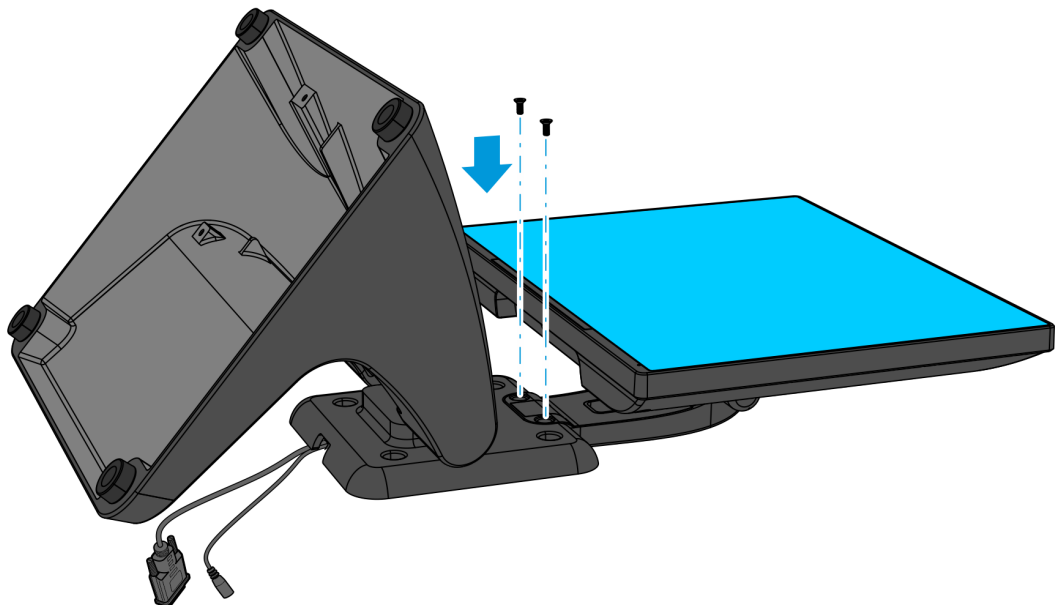


CCP-75278

3. Position the neck of the Customer Display onto the display holder compartment, and then secure with two M4x6.5 screws.



Note: Ensure that the cables are not pinched and the holes on the are all aligned.

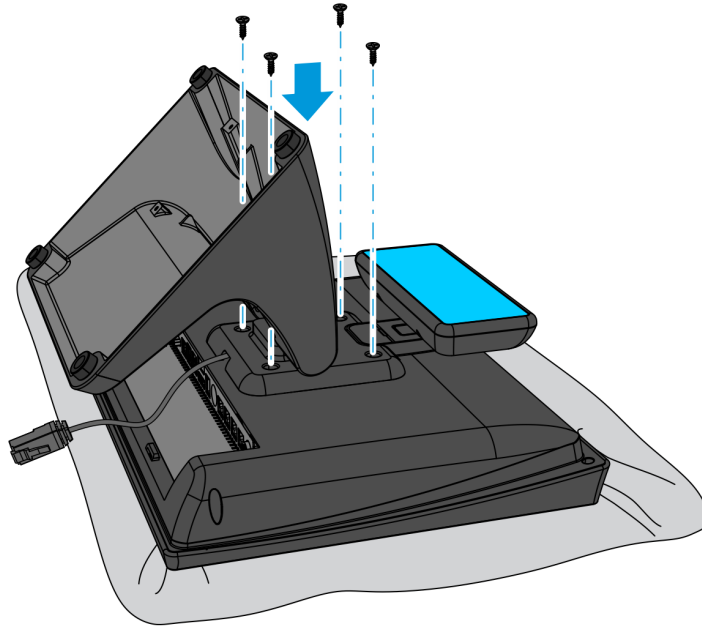


CCP-75279

4. Position the stand onto the back of the display, and then secure with four M4x10 screws.



Note: Ensure that the Customer Display cables are not pinched.



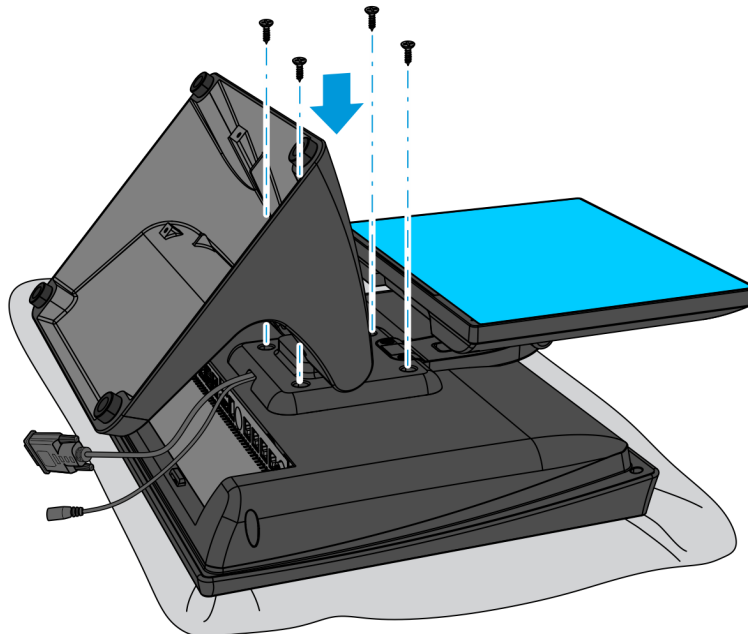
CCP-75274

Installing the Stand

Position the stand onto the back of the display, and then secure with four M4x10 screws.

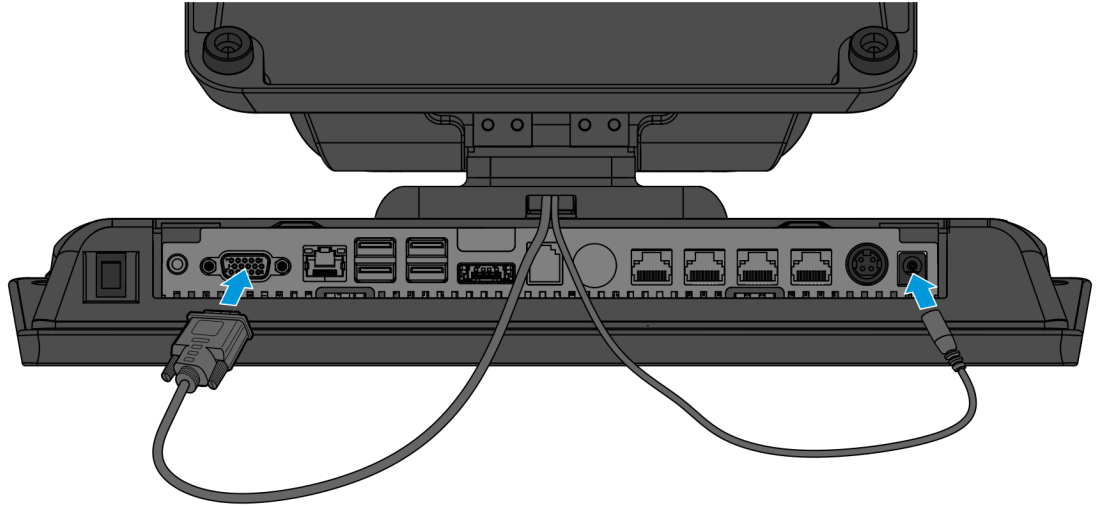


Note: Ensure that the Customer Display cables are not pinched.



CCP-75280

Connecting the Cables



CCP-75281

1. Connect the VGA Cable to the VGA Output port.
2. Connect the Power Cable to the DC OUT port.