

Kit Instructions

EX15 Wall Mount

4505-K320
Issue A



The product described in this document is a licensed product of NCR Corporation.

NCR is a registered trademark of NCR Corporation. Product names mentioned in this publication may be trademarks or registered trademarks of their respective companies and are hereby acknowledged.

Where creation of derivative works, modifications or copies of this NCR copyrighted documentation is permitted under the terms and conditions of an agreement you have with NCR, NCR's copyright notice must be included.

It is the policy of NCR Corporation (NCR) to improve products as new technology, components, software, and firmware become available. NCR, therefore, reserves the right to change specifications without prior notice.

All features, functions, and operations described herein may not be marketed by NCR in all parts of the world. In some instances, photographs are of equipment prototypes. Therefore, before using this document, consult with your NCR representative or NCR office for information that is applicable and current.

To maintain the quality of our publications, we need your comments on the accuracy, clarity, organization, and value of this book. Please use the link below to send your comments.

Email: FD230036@ncr.com

Copyright © 2018
By NCR Corporation
864 Spring St NW
Atlanta, GA 30308
U.S.A.
All Rights Reserved

Table of Contents

Wall Mount

Introduction	1
Kit Components	2
Installation Procedures	3
Laying the Terminal Face Down	4
Removing the Stand	5
Installing the Display Bracket onto the Display	6
Installing the Display Bracket onto the Display	6
Installing the Wall Bracket onto the Wall	7
Installing the Wall Bracket onto the Wall	7
Mounting the Display Assembly onto the Wall Bracket	8
Mounting the Display Assembly onto the Wall Bracket	8
Connecting the Cables	9

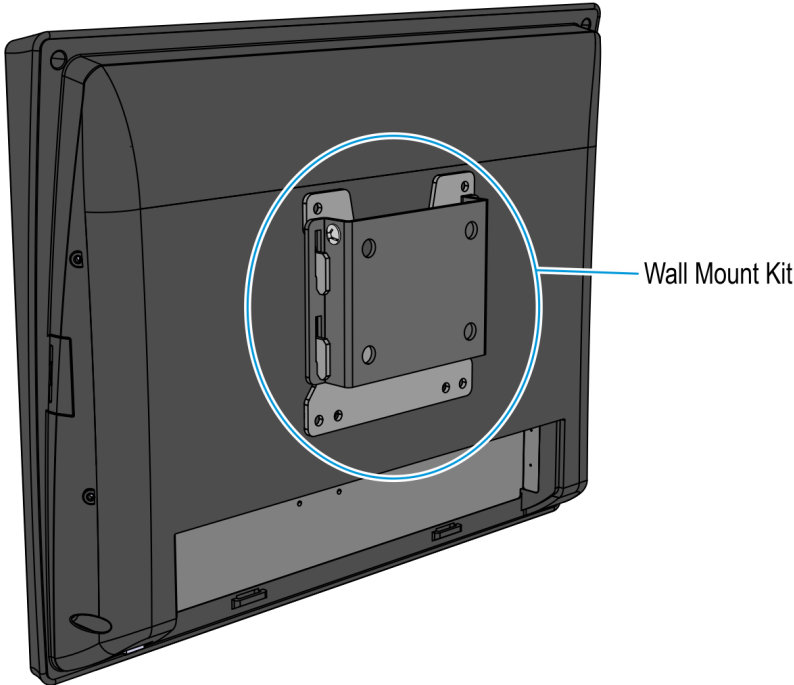
Revision Record

Issue	Date	Remarks
A	Nov 2018	First Issue

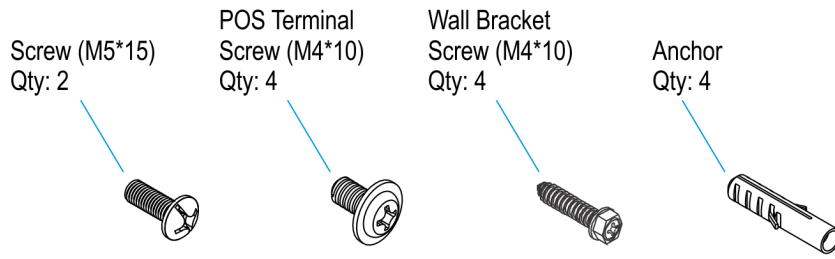
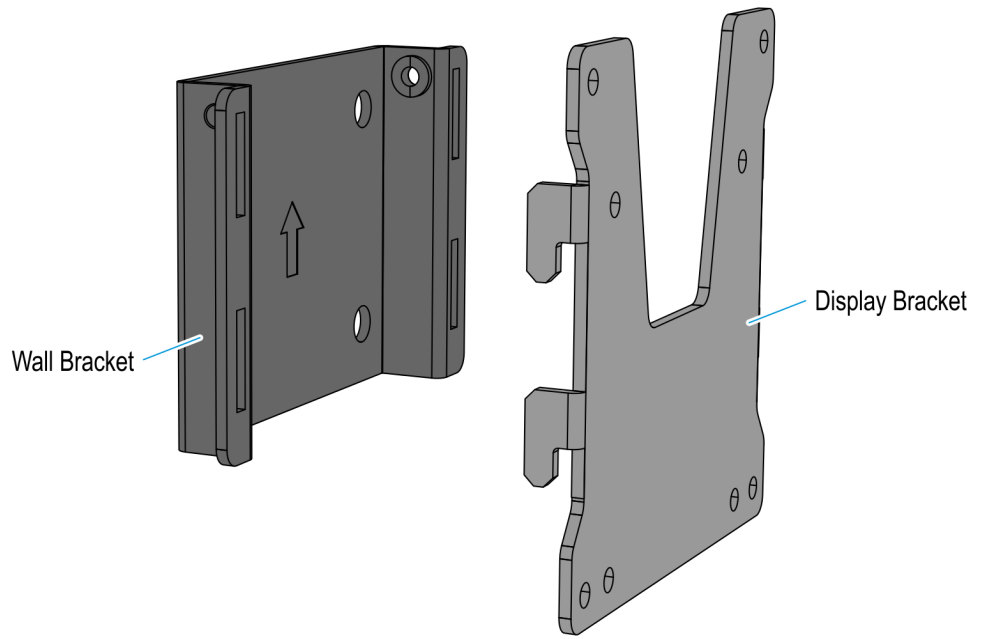
Wall Mount

Introduction

This document provides procedures for installing the EX15 POS onto a wall by using the Wall Mount kit.



Kit Components



CCP-75283

Part Number	Description
497-0522776	Wall Mount

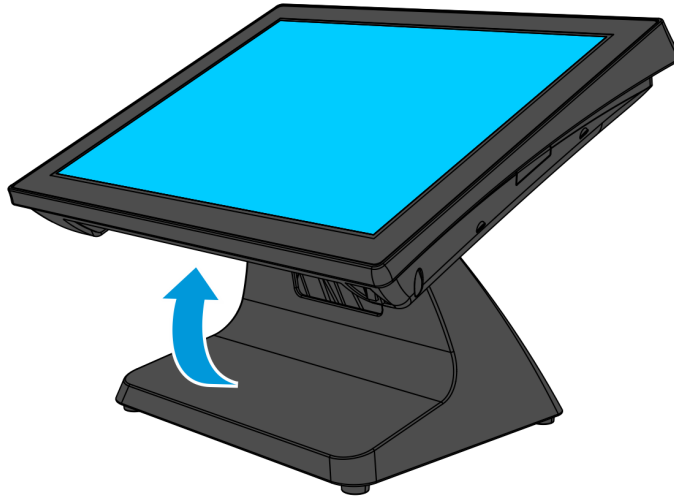
Installation Procedures

To install the EX15 POS onto a wall, perform the following procedures:

1. Lay the terminal face down.
2. Remove the stand.
3. Install the Display Bracket onto the back of the display.
4. Install the Wall Bracket onto the wall.
5. Mount the Display Assembly onto the Wall Bracket.
6. Connect the cables.

Laying the Terminal Face Down

1. Pivot the display toward the back.

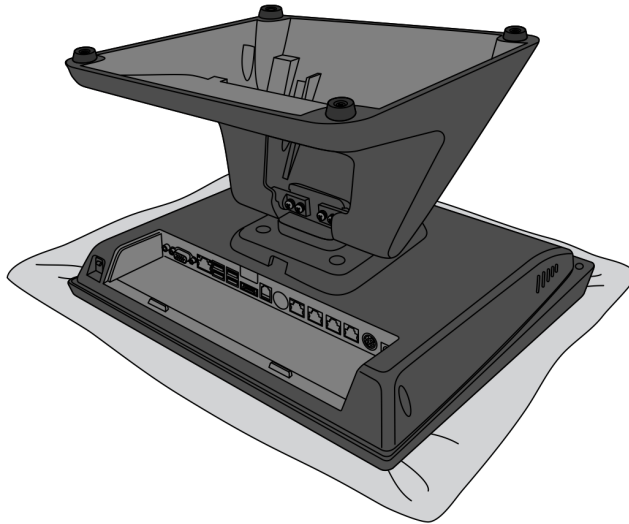


CCP-75246

2. Lay the terminal face down on a flat surface.



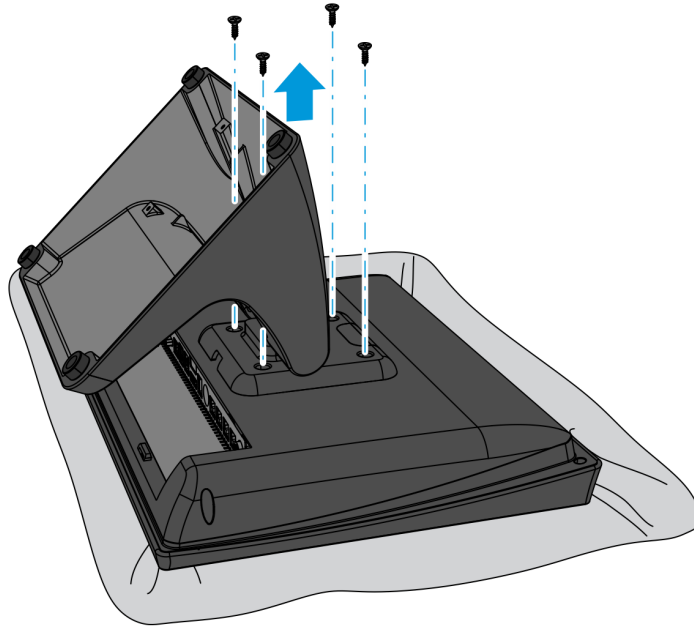
Caution: Always use a soft material (cloth, foam) to protect the display screen when placing the terminal face down.



CCP-75202

Removing the Stand

1. Remove the four screws that secure the stand to the back of the display.



CCP-75268

2. Remove the stand and lay it down on a flat surface.

Installing the Display Bracket onto the Display

Installing the Display Bracket onto the Display

1. Lay the terminal face down on a flat surface.

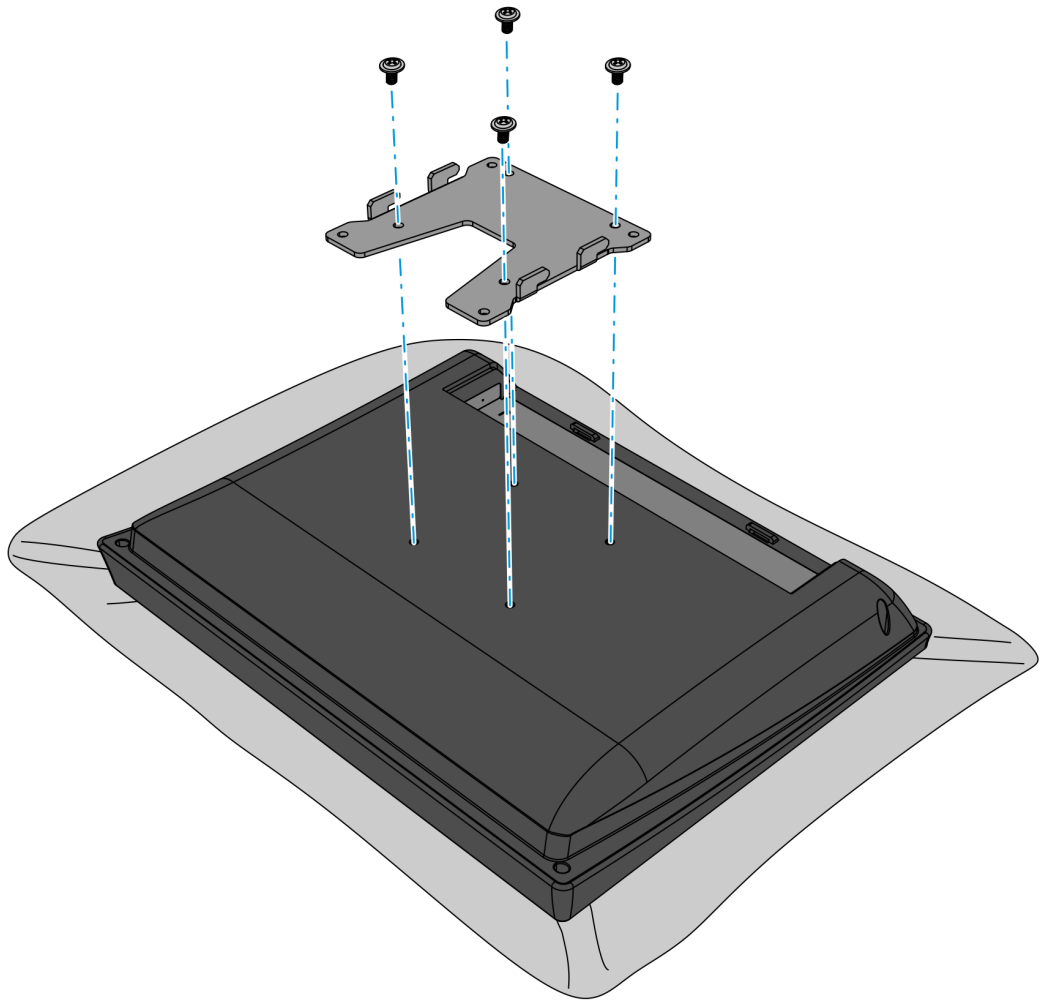


Caution: Always use a soft material (cloth, foam) to protect the display screen when placing the terminal face down.

2. Position the Display Bracket onto the back of the display, and then secure with four screws (M4*10).

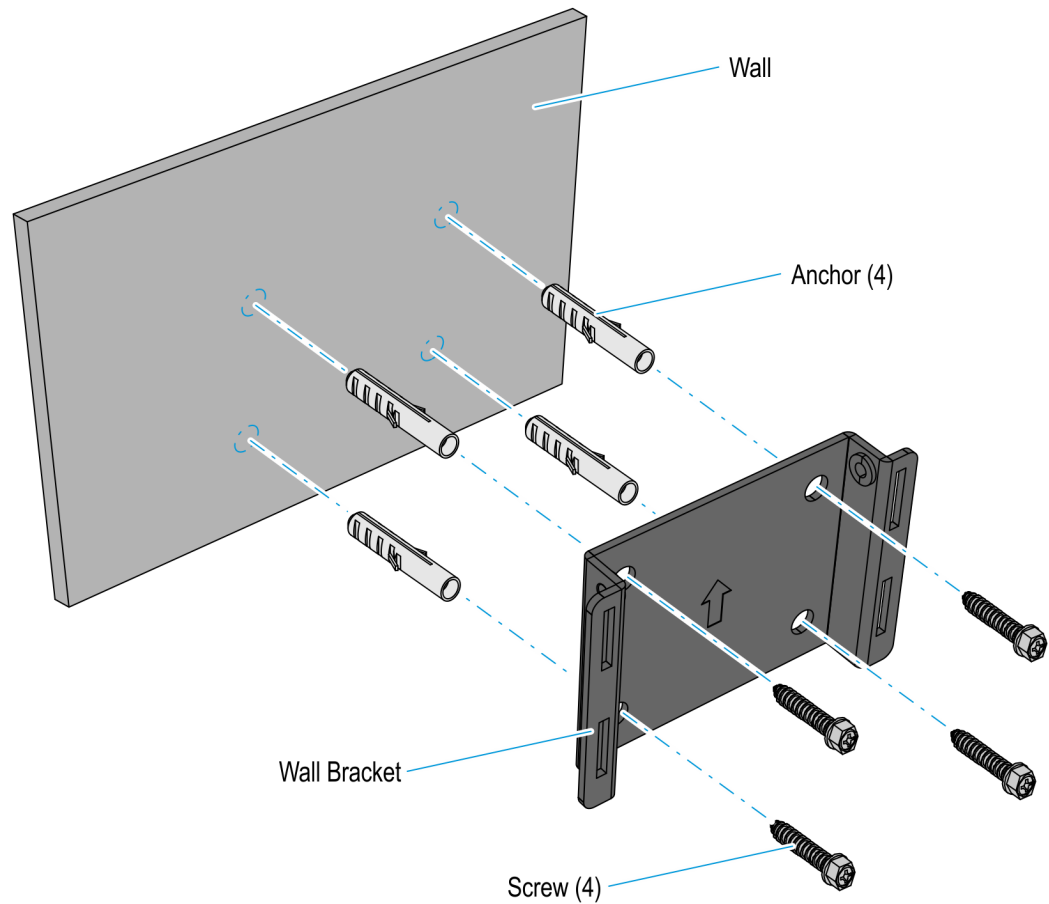


Note: Ensure that the correct position of the Display Bracket is observed. Refer to the following image.



Installing the Wall Bracket onto the Wall

Installing the Wall Bracket onto the Wall



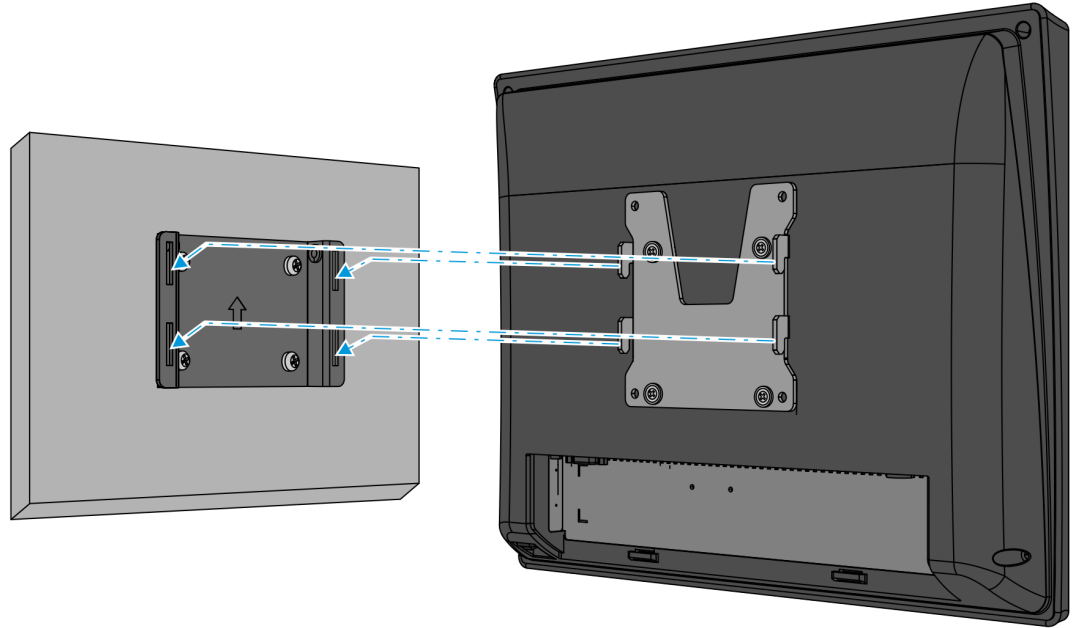
CCP-75285

1. Mark the Wall Bracket screw holes on the wall.
 - a. Using the Wall Bracket as a template, hold it against the wall and mark the four holes. Take note of the "up" arrow indicating the correct orientation of the bracket.
 - b. Remove the bracket and drill a hole at every marked location.
2. Depending on the mounting substrate, use the following to secure the Wall Bracket to the wall.
 - For wooden walls, use four screws (0.25-inch*37).
 - For concrete walls, use four screws (0.25-inch*37) together with four anchors.

Mounting the Display Assembly onto the Wall Bracket

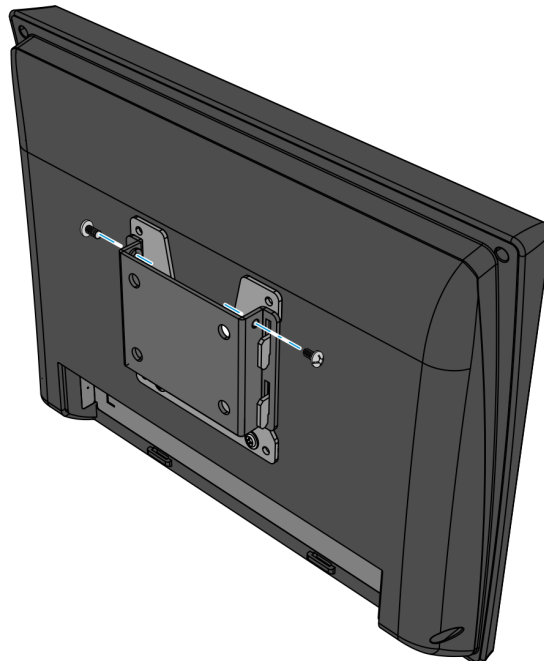
Mounting the Display Assembly onto the Wall Bracket

1. Insert the four hooks onto their slots on the Wall Bracket, and slide the Display Assembly downward to lock it in place.



CCP-75286

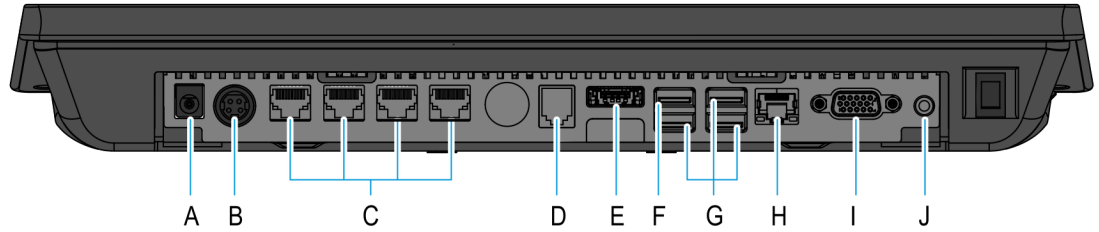
2. Secure the Display Assembly with the two screws (M5*15).



CCP-75287

Connecting the Cables

The following are the default I/O ports for the NCR EX15 POS (4505).



CCP-75201

Port	Port Name	Description
A	DC OUT	12 Vdc power output
B	DC IN	19 Vdc power input
C	COM	COM 1/2/3/4 connectors
D	DK	Cash Drawer output
E	E-SATAp	E-SATA + USB connector
F	USB 3.0	(1) USB 3.0 connector
G	USB 2.0	(3) USB 2.0 connectors
H	LAN	Gigabit LAN connector
I	VGA	VGA output
J	Line Out	Audio line output



Caution: Do not connect or disconnect the Power Cable from the terminal with the AC Power Cord connected to an AC outlet.



Caution: To avoid damage to the Power Supply and its cable, mount the Power Supply in a secure position (for example, on the floor or countertop).

