

Kit Instructions

EX15 Dallas iButton Reader

4505-K150
Issue A



The product described in this document is a licensed product of NCR Corporation.

NCR is a registered trademark of NCR Corporation. Product names mentioned in this publication may be trademarks or registered trademarks of their respective companies and are hereby acknowledged.

Where creation of derivative works, modifications or copies of this NCR copyrighted documentation is permitted under the terms and conditions of an agreement you have with NCR, NCR's copyright notice must be included.

It is the policy of NCR Corporation (NCR) to improve products as new technology, components, software, and firmware become available. NCR, therefore, reserves the right to change specifications without prior notice.

All features, functions, and operations described herein may not be marketed by NCR in all parts of the world. In some instances, photographs are of equipment prototypes. Therefore, before using this document, consult with your NCR representative or NCR office for information that is applicable and current.

To maintain the quality of our publications, we need your comments on the accuracy, clarity, organization, and value of this book. Please use the link below to send your comments.

Email: FD230036@ncr.com

Copyright © 2018
By NCR Corporation
864 Spring St NW
Atlanta, GA 30308
U.S.A.
All Rights Reserved

Table of Contents

Dallas iButton Reader

| | |
|-------------------------------|---|
| Introduction | 1 |
| Kit Components | 2 |
| Installation Procedures | 3 |

Revision Record

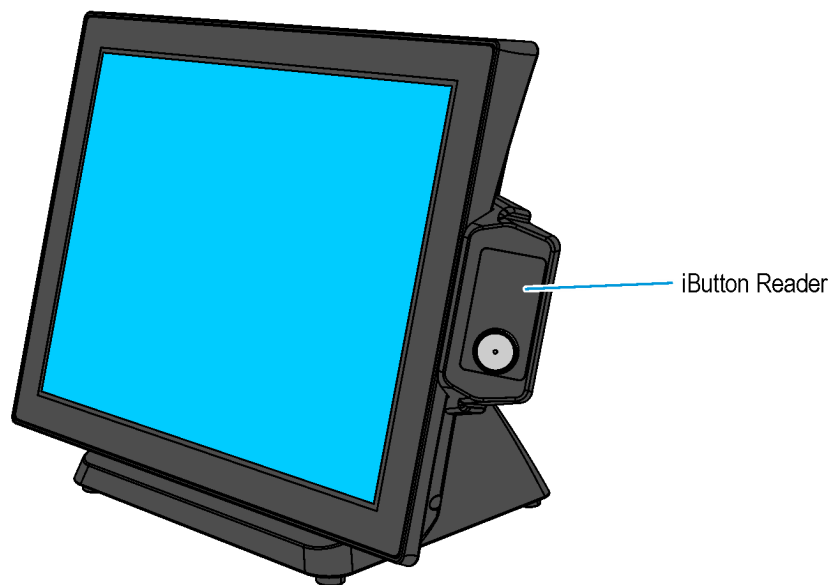
| Issue | Date | Remarks |
|-------|----------|-------------|
| A | Nov 2018 | First Issue |
| | | |
| | | |

Dallas iButton Reader

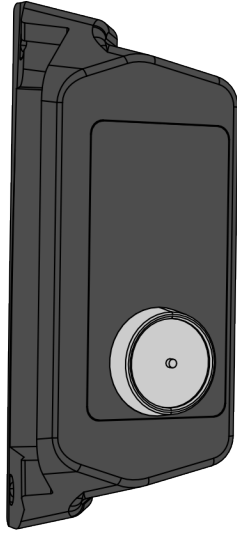
Introduction

This document provides procedures for installing the Dallas iButton Reader on the EX15 POS.

The Dallas iButton Reader is mounted on the right side of the display and interfaces through a USB connection in the display head.



Kit Components

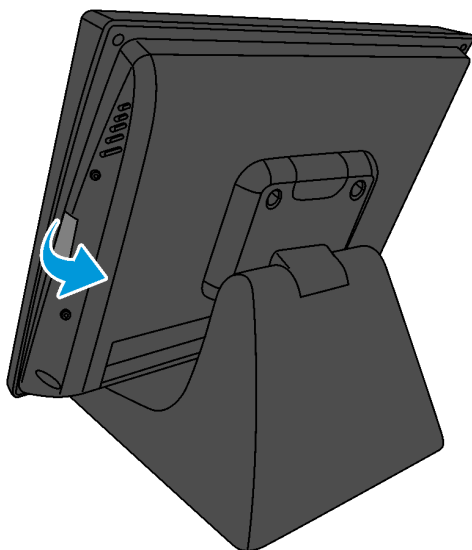


CCP-75259

| Part Number | Description |
|-------------|--|
| 497-0522770 | Dallas iButton Reader - Right side mount |

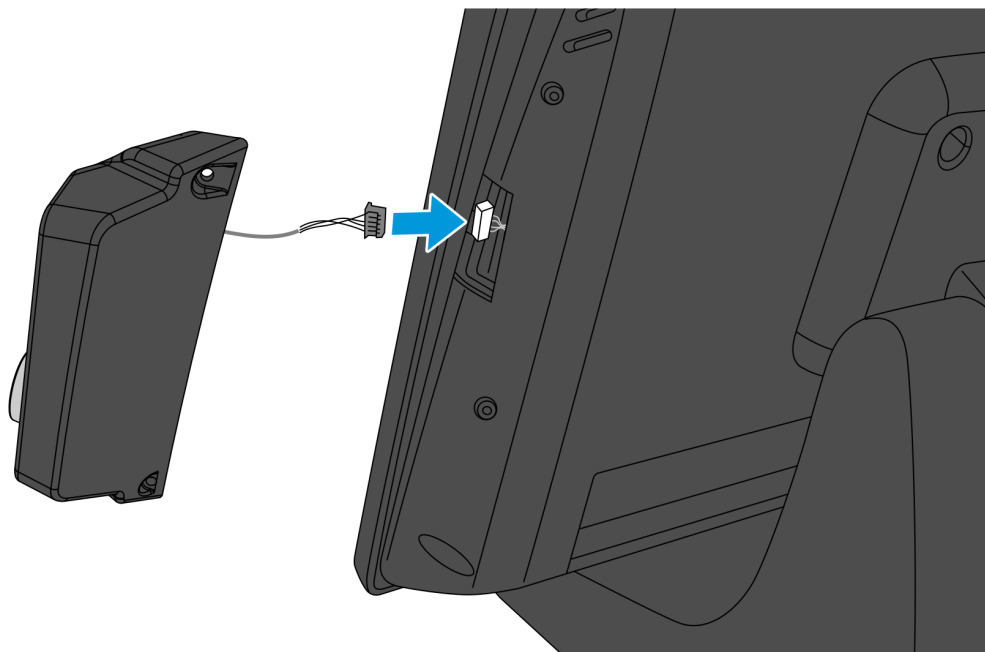
Installation Procedures

1. Remove the plastic cover located on the right side of the terminal.



CCP-75255

2. Connect the iButton cable to the USB connector, and then insert the cable connection through the opening.

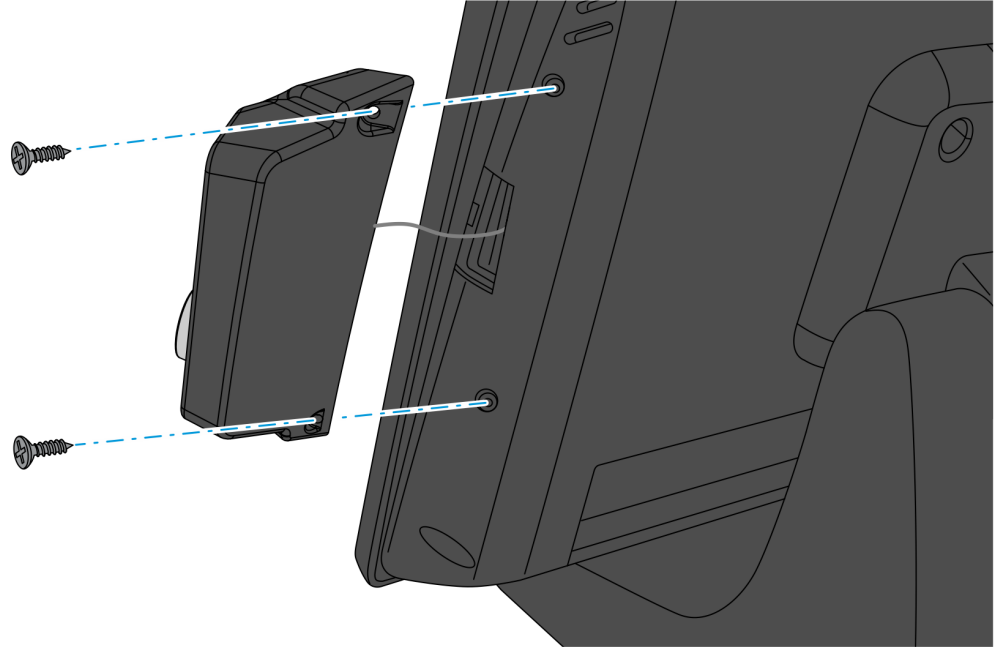


CCP-75260

3. Position the iButton onto the right side of the terminal, and then secure it using two M3x8 screws.



Note: Ensure that the holes on the iButton are aligned with the holes on the terminal.



CCP-75261