

Kit Instructions

EX15 Magnetic Stripe Reader

4505-K141
Issue A



The product described in this document is a licensed product of NCR Corporation.

NCR is a registered trademark of NCR Corporation. Product names mentioned in this publication may be trademarks or registered trademarks of their respective companies and are hereby acknowledged.

Where creation of derivative works, modifications or copies of this NCR copyrighted documentation is permitted under the terms and conditions of an agreement you have with NCR, NCR's copyright notice must be included.

It is the policy of NCR Corporation (NCR) to improve products as new technology, components, software, and firmware become available. NCR, therefore, reserves the right to change specifications without prior notice.

All features, functions, and operations described herein may not be marketed by NCR in all parts of the world. In some instances, photographs are of equipment prototypes. Therefore, before using this document, consult with your NCR representative or NCR office for information that is applicable and current.

To maintain the quality of our publications, we need your comments on the accuracy, clarity, organization, and value of this book. Please use the link below to send your comments.

Email: FD230036@ncr.com

Copyright © 2018
By NCR Corporation
864 Spring St NW
Atlanta, GA 30308
U.S.A.
All Rights Reserved

Table of Contents

Magnetic Stripe Reader

Introduction	1
Kit Components	2
Installation Procedures	3

Revision Record

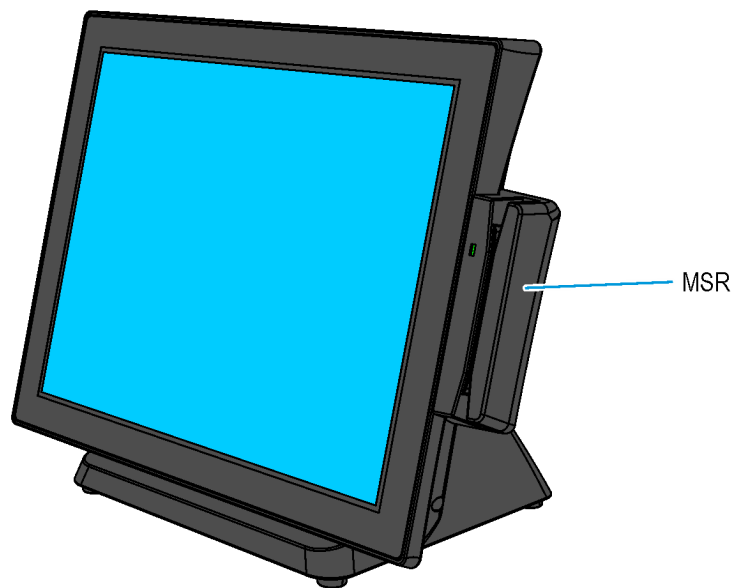
Issue	Date	Remarks
A	Nov 2018	First Issue

Magnetic Stripe Reader

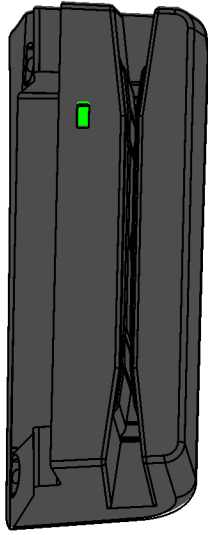
Introduction

This document provides procedures for installing the Magnetic Stripe Reader (MSR) on the EX15 POS.

The MSR is mounted on the right side of the display. It comes with ISO Track 1/2/3 single/dual/triple track support and interfaces through a USB connection in the display head.



Kit Components

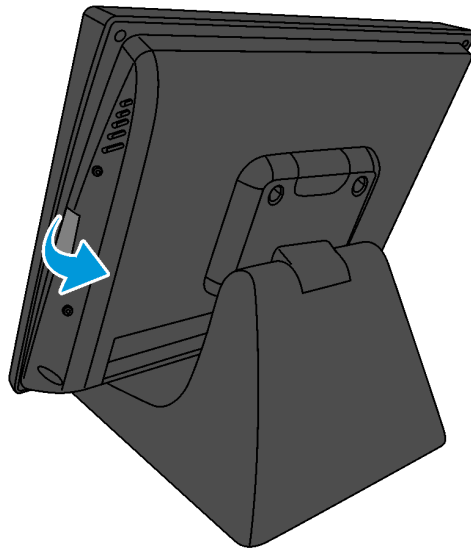


CCP-75254

Part Number	Description
497-0522772	MSR - Right side mount

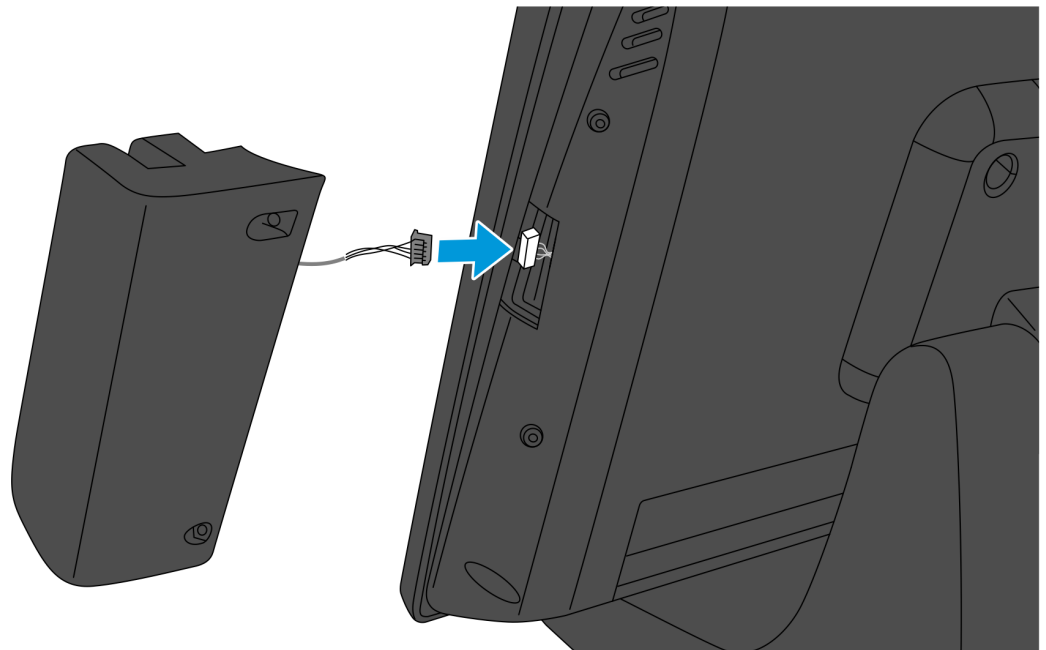
Installation Procedures

1. Remove the plastic cover located on the right side of the terminal.



CCP-75255

2. Connect the MSR cable to the USB connector, and then insert the cable connection through the opening.

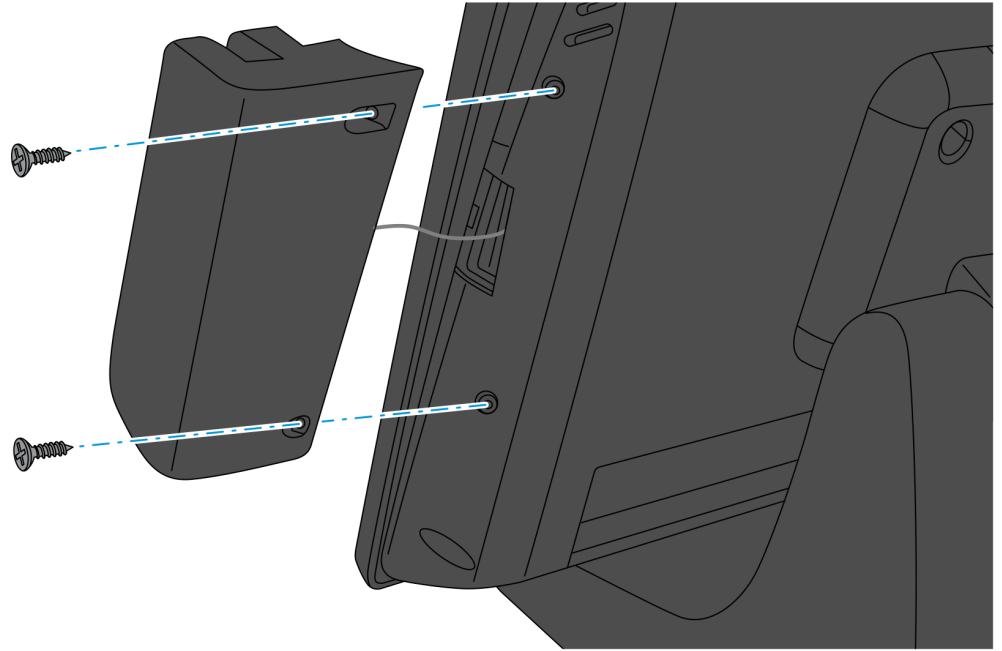


CCP-75256

3. Position the MSR onto the right side of the terminal, and then secure it using two M3x8 screws.



Note: Ensure that the holes on the MSR are aligned with the holes on the terminal.



CCP-75257