

2336-K052

Floor Standing Pedestal

Kit Instructions



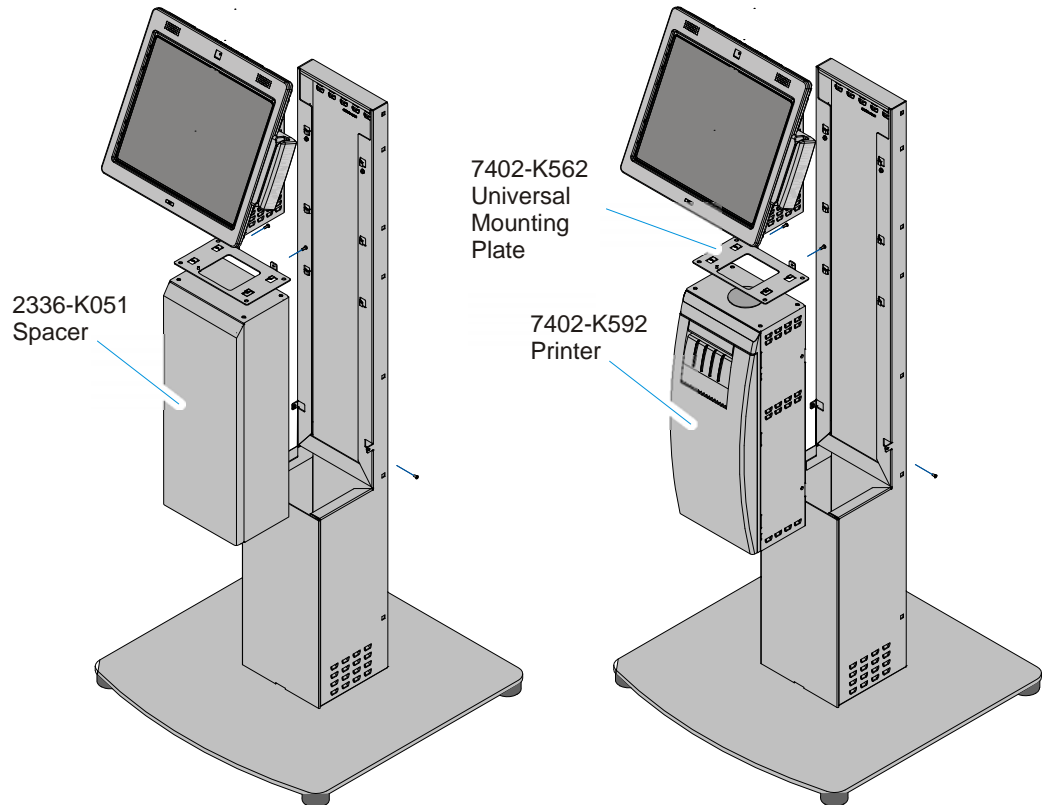
Issue C

Revision Record

Issue	Date	Remarks
A	Feb 20021	First issue
B	June 2007	Added pedestal floor bolting procedure
C	Mar 2011	Added Universal Mounting Plate procedure, added terminal installation, added cable routing illustration

Introduction

A 2336-K051 Printer Spacer is install when a 7402-K592 Printer is not present.



28041

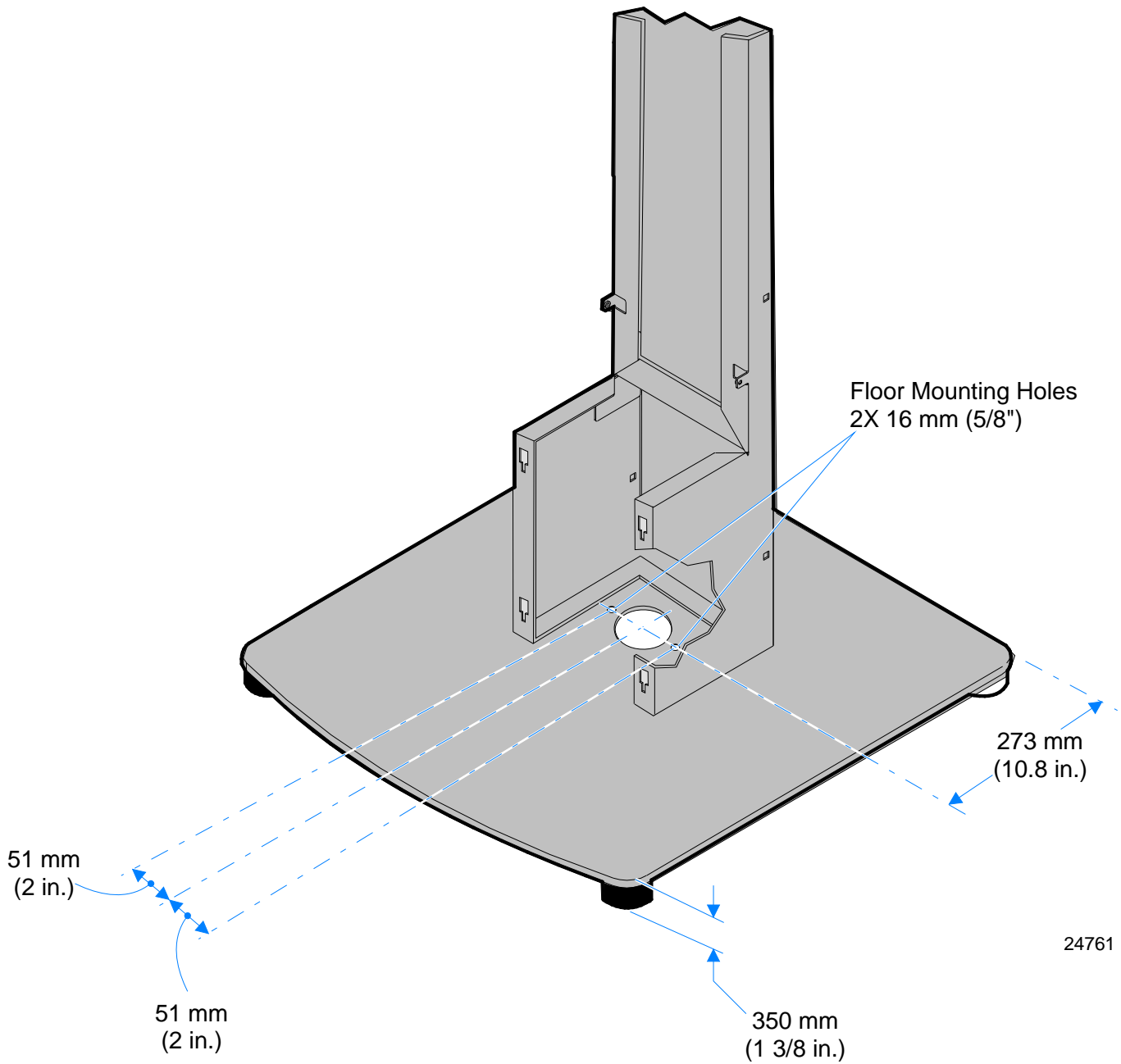
Cables Needed for Installation

Following is a list of the cables used when installing a full configuration of the 2336-K052 Floor Standing Pedestal, including the NCR 4055 UPS, a 7402-K592 Self Service Printer, and the PowerMon II software.

- Ethernet LAN (497-0420456) (1416-C672-0030)
- Terminal Power Supply (on the Fixed-Angle Mount)
- Scanner Serial (on the Fixed-Angle Mount)
- UPS Serial (NOV-07-75A) - delivered with the Power Mon II software
- In-house LAN (Customer Provided)

Bolting the Pedestal to a Floor

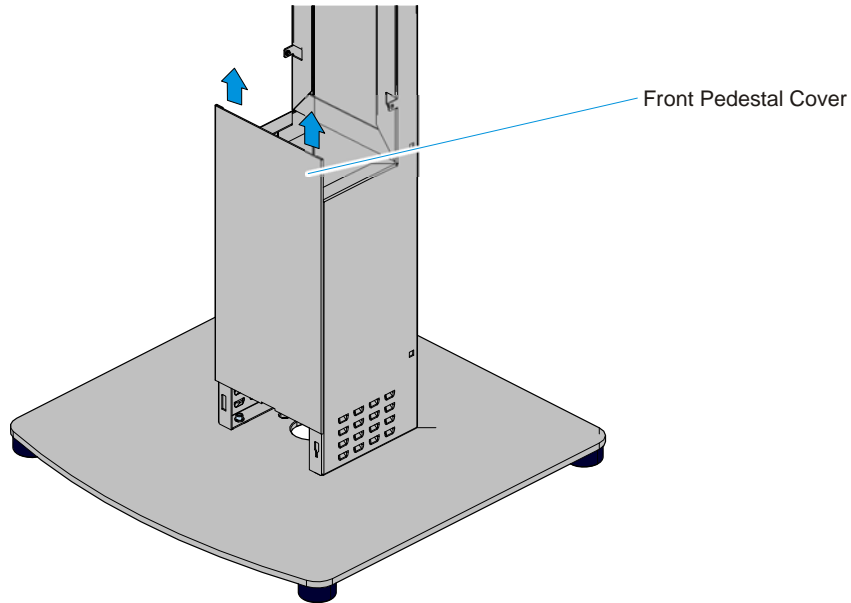
Optionally, the pedestal can be bolted to a floor if desired. Secure the base to the floor by using appropriate bolts in the 16 mm (5/8") holes (2) located inside the pedestal.



Installation Procedure

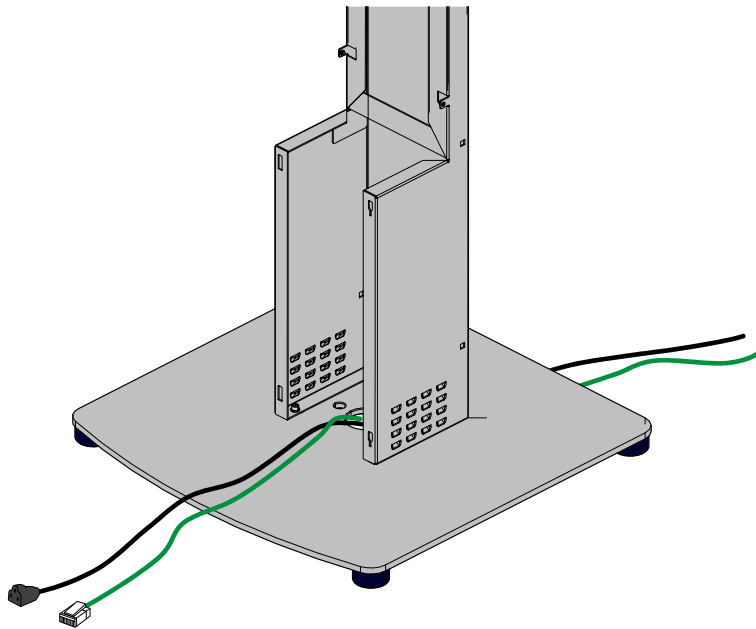
Installing a UPS (Optional)

1. Remove the Front Pedestal Cover. Slide it upward to unlock it from the pedestal.



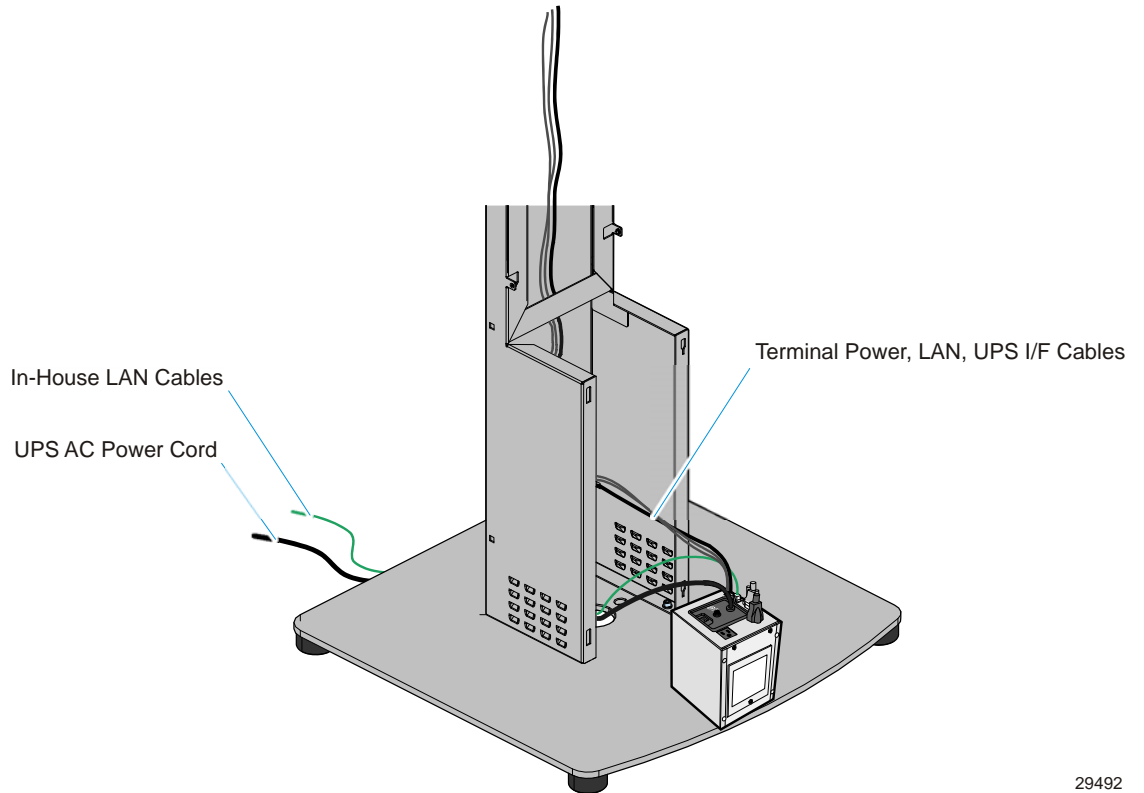
29490

2. Route the in-house LAN Cable and the UPS Power Cable through the opening in the bottom of the Pedestal.



29491

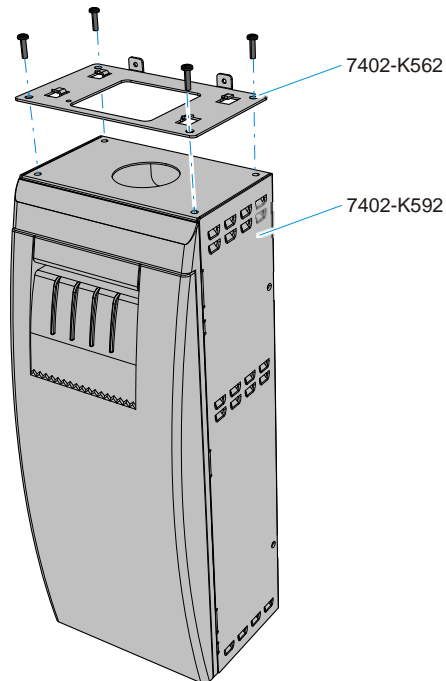
3. Attach the in-house LAN Cable to the UPS.
4. Connect the terminal Power cable, the LAN cable, and the UPS Interface Cables to the UPS.



5. Position the UPS in the base of the Spine.
6. Turn the UPS on.
7. Replace the Front Pedestal Cover.

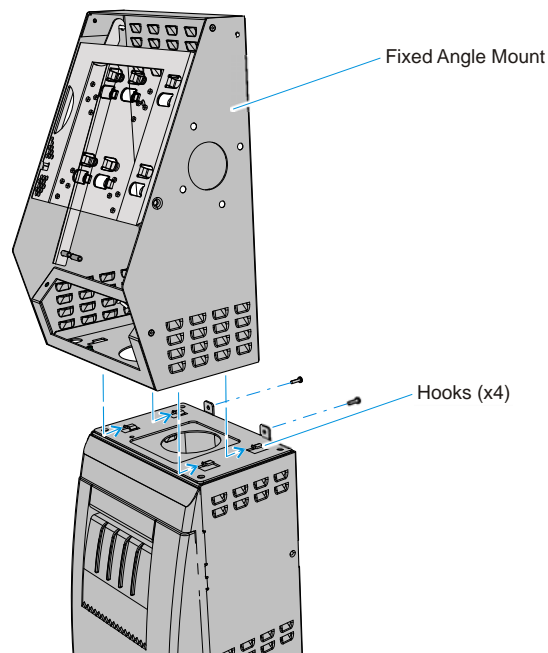
Installing the Printer and Fixed Angle Mount

1. Install the 7402-K562 Universal Mounting Plate on the top of the printer (4 screws).



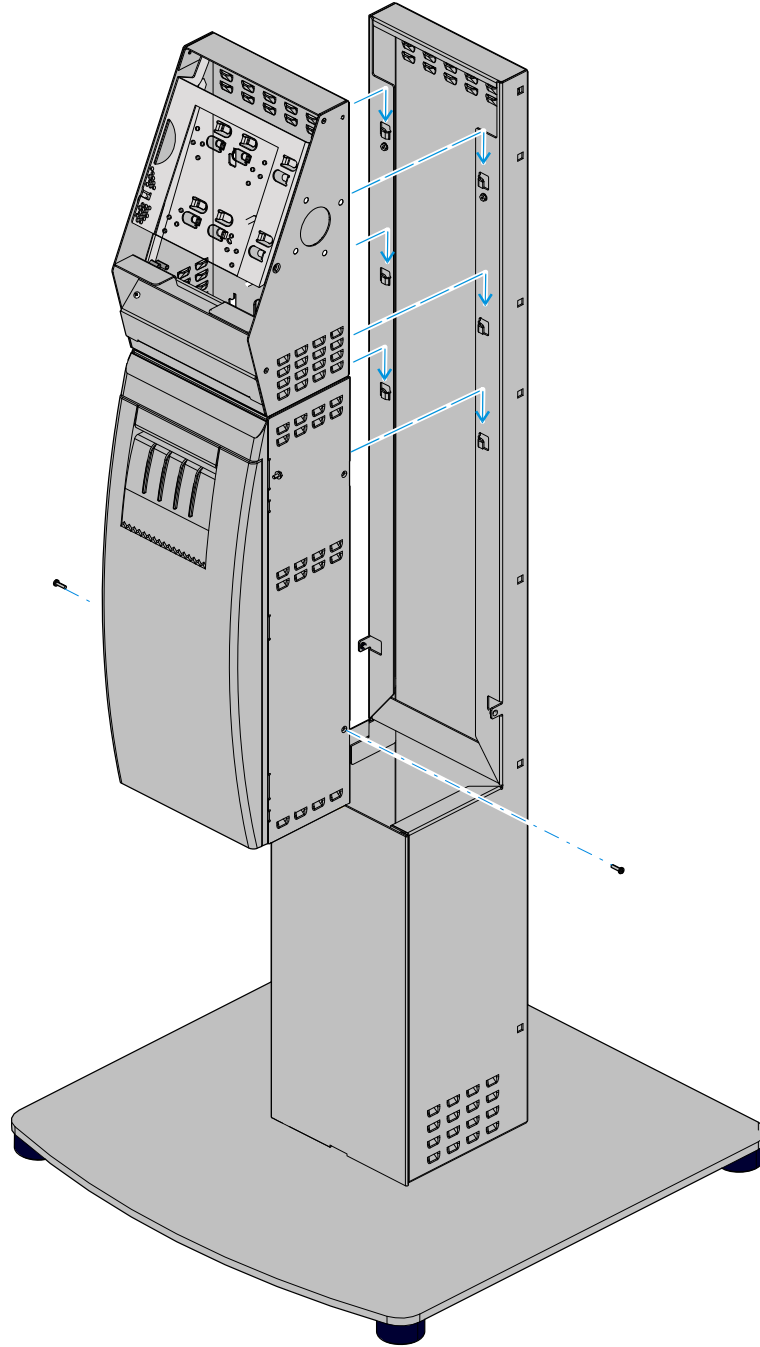
29487

2. Install the 7409-K035 Fixed Angle Mount on the printer assembly.
 - a. Align the holes on the bottom of the Fixed Angle Mount with the hooks on the Universal Mount Plate and then slide the Fixed Angle Mount toward the rear to lock it into position.
 - b. Secure the Fixed Angle Mount in the back with screws (2).



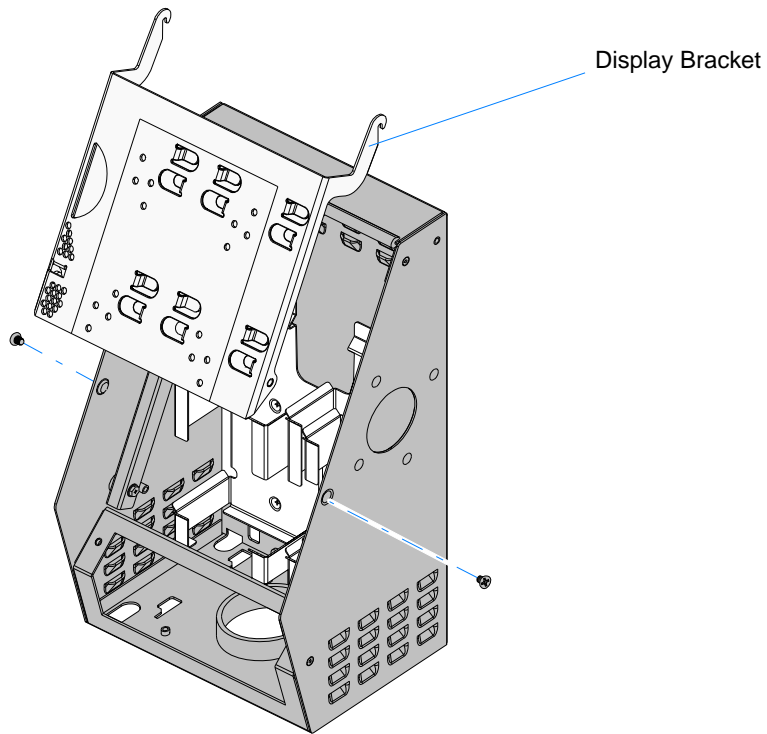
29488

3. Install the Fixed Angle Mount and printer assembly on the pedestal spine.
 - a. Align the holes on the back of the Fixed Angle Mount and printer with the hooks on the pedestal spine and then slide the assembly downward to lock it into position.
 - b. Secure the assembly with screws (2).



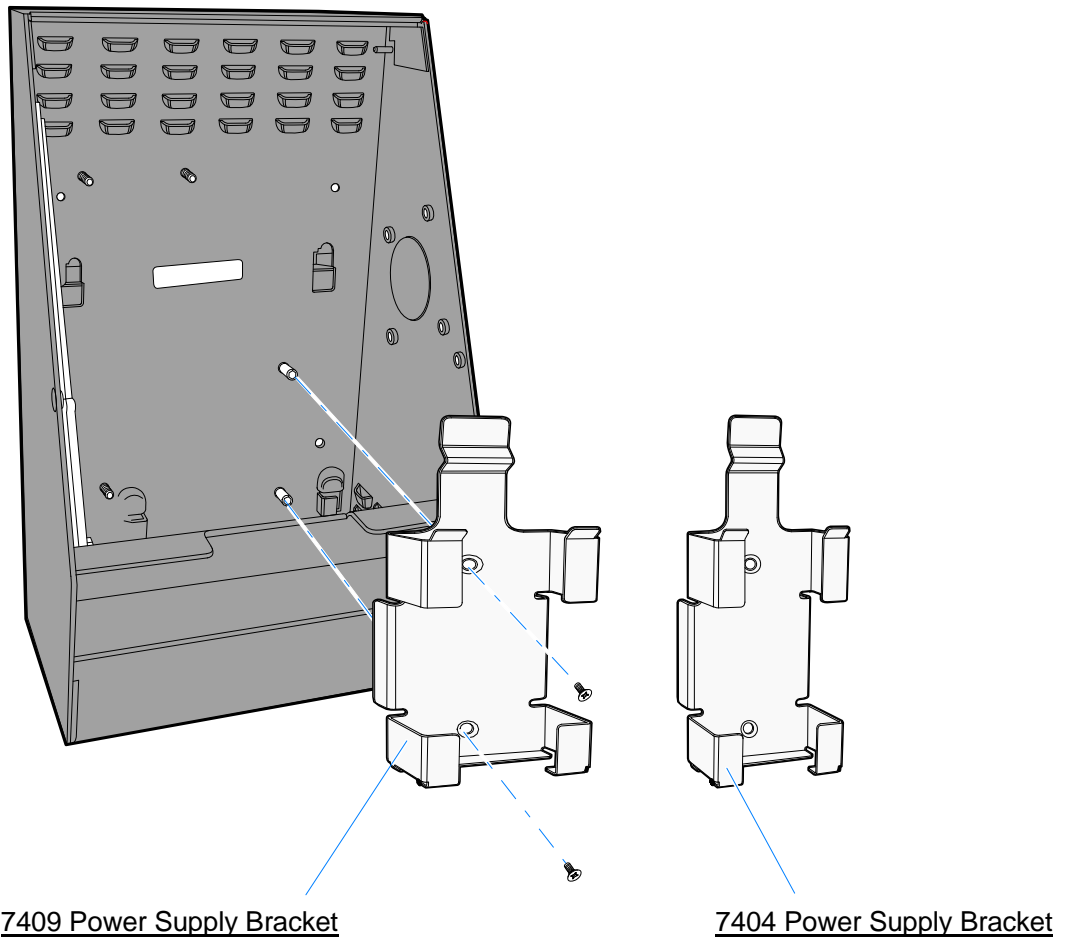
Installing the Terminal

1. Remove the Display Bracket from the Fixed Angle Bucket (2 screws).\

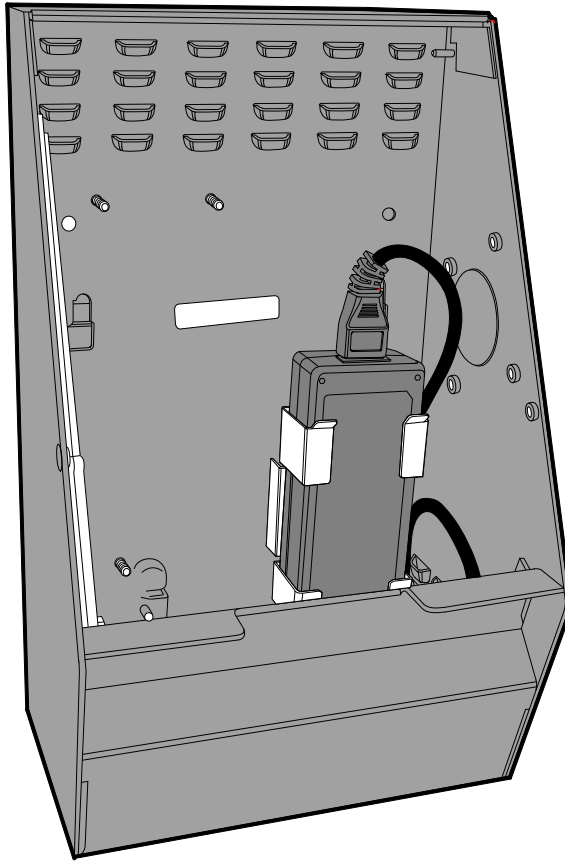


2. Install the correct Power Supply Bracket.

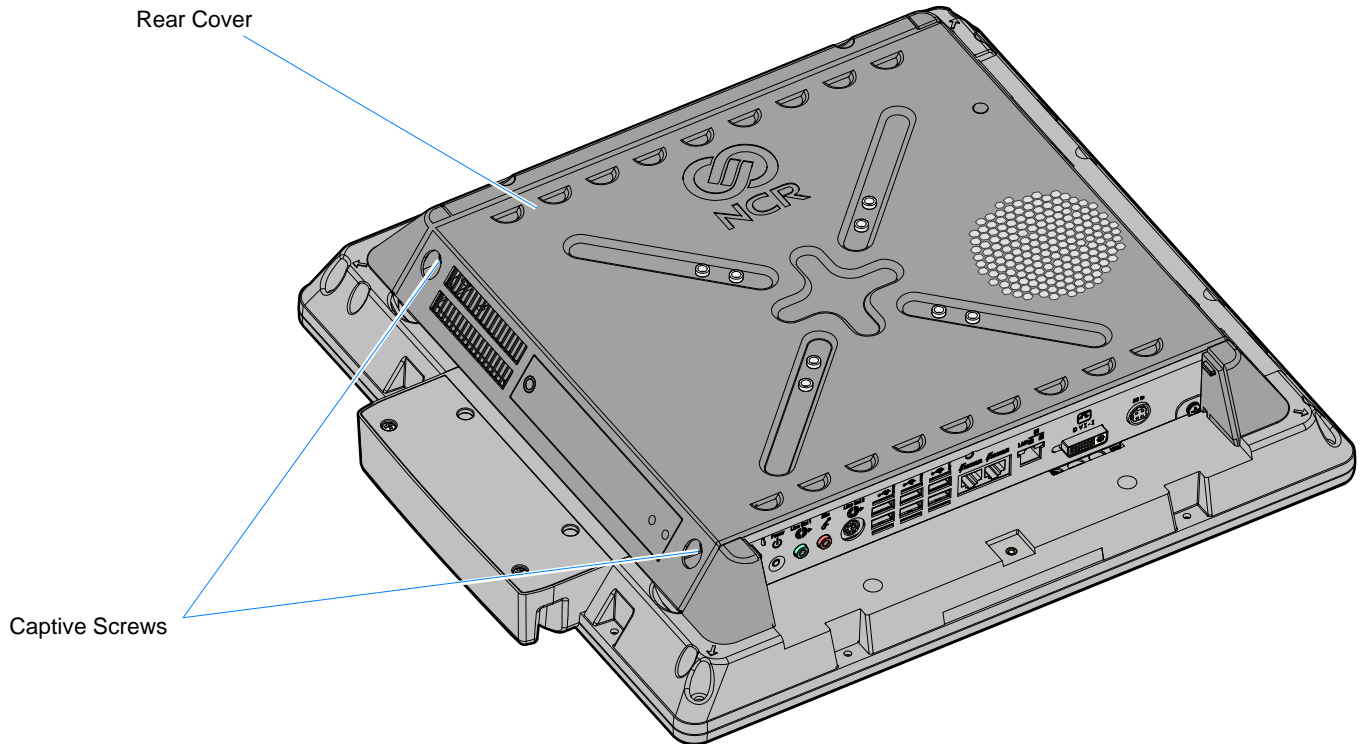
Note: The 7409 Power Supply Bracket is pre-installed in the bucket. If you are installing a 7404, replace the installed bracket with the 7404 Power Supply Bracket (2 screws).



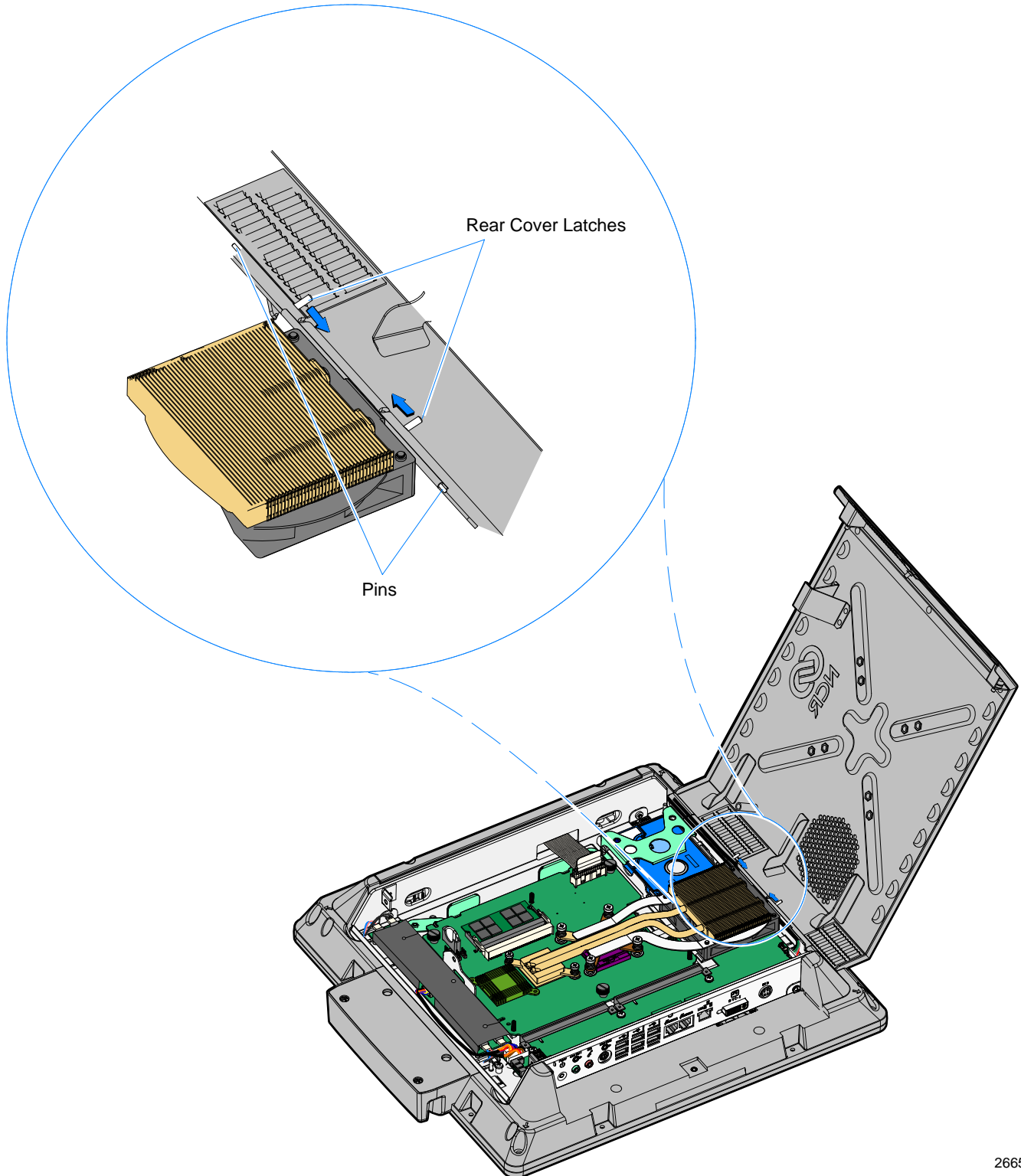
3. Insert the Terminal Power Supply into the bracket and connect the AC Power Cord.



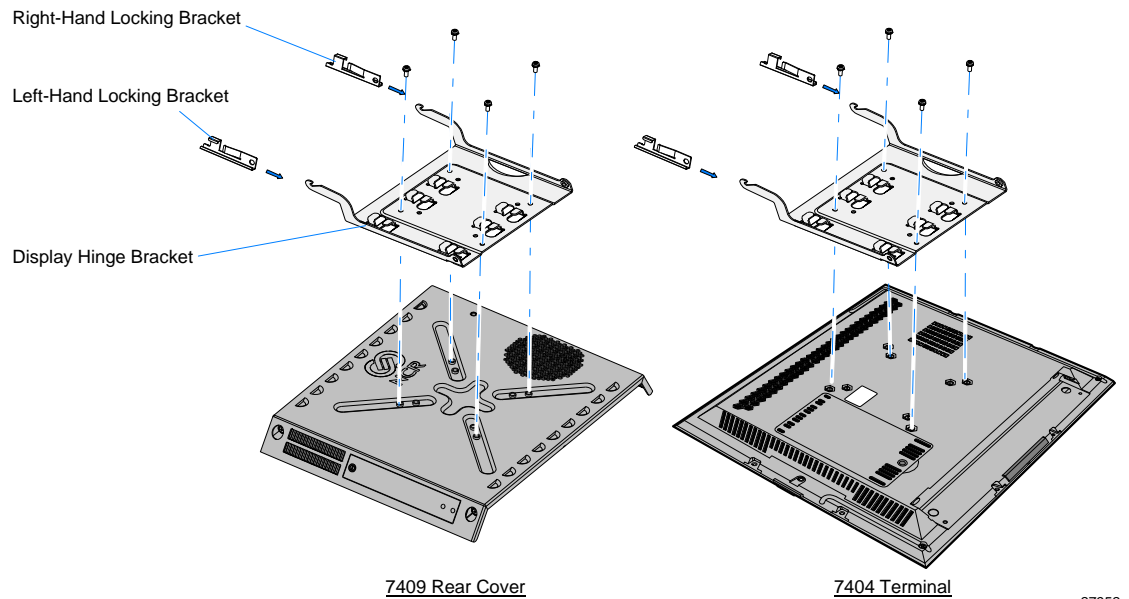
4. **7409 Only:** For ease in handling you can remove the 7409 Rear Cover from the Display Assembly. Skip this step if you are installing a 7404 Terminal.
 - a. Lay the terminal face down on a flat surface.
 - b. Loosen the captive screws (2) that secure the Rear Cover.



- c. Pivot the Rear Cover to the open position.
- d. Remove the Rear cover by squeezing the Rear Cover Latches together to retract the pins as indicated below.

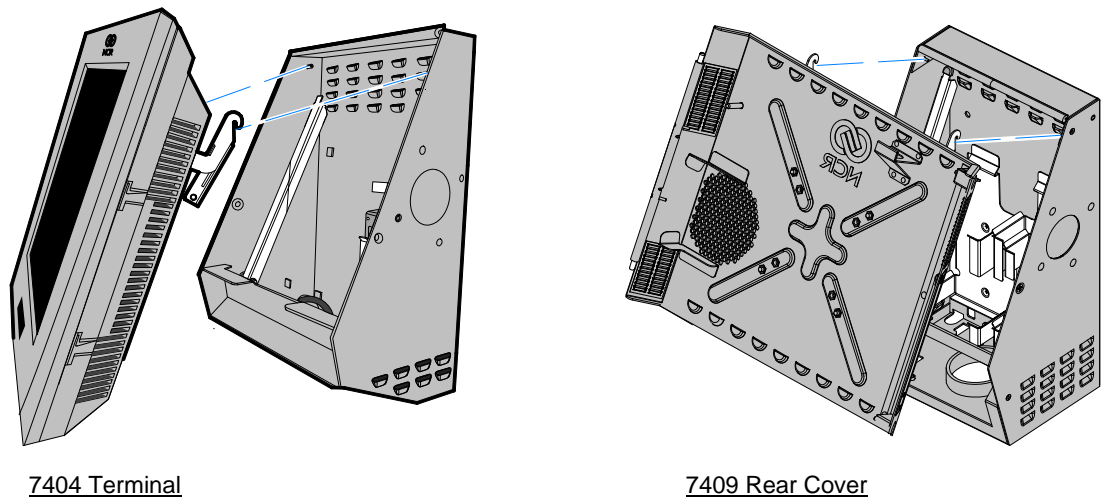


5. Install the Display Hinge Bracket onto the back of the terminal with screws (4).



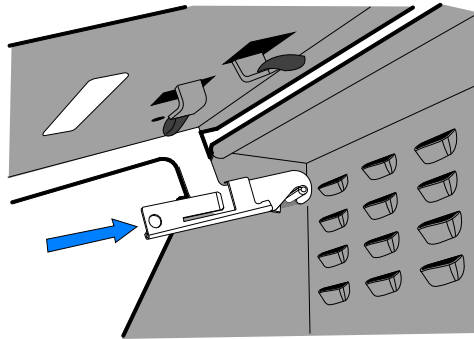
27952

6. Slide the Locking Brackets onto the hooked extensions of the bracket.
7. Install the terminal/cover on the Fixed Angle Mount. Hook the Display Hinge Bracket extensions onto the two studs in the bracket.

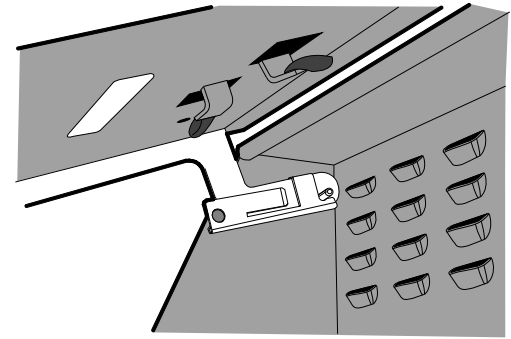


27953

- Slide the Locking Brackets to the *locked* position.



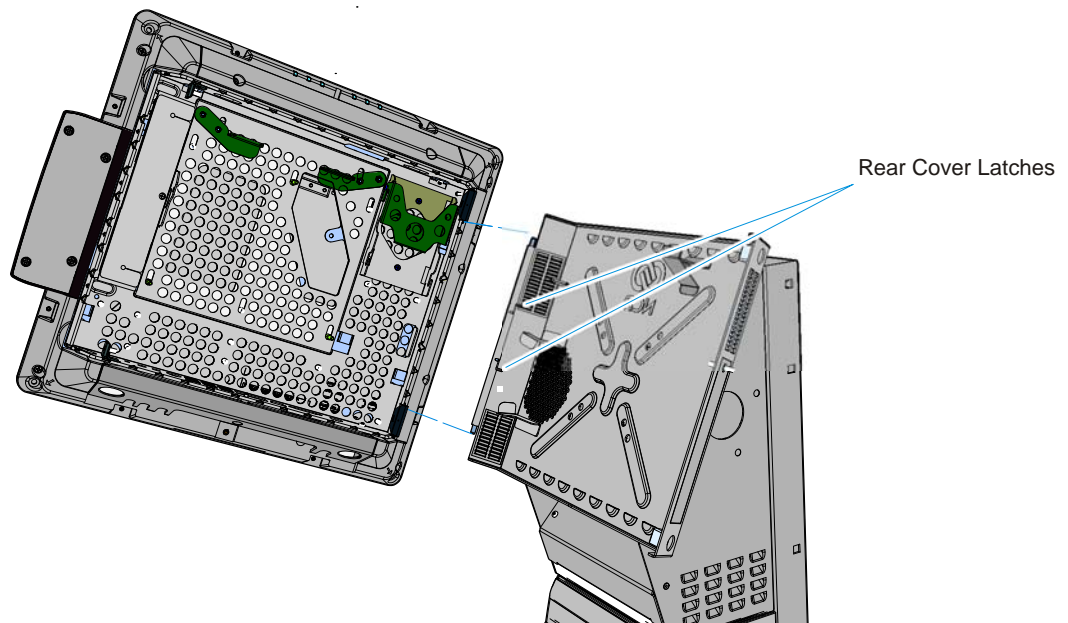
Unlocked Position



Locked Position

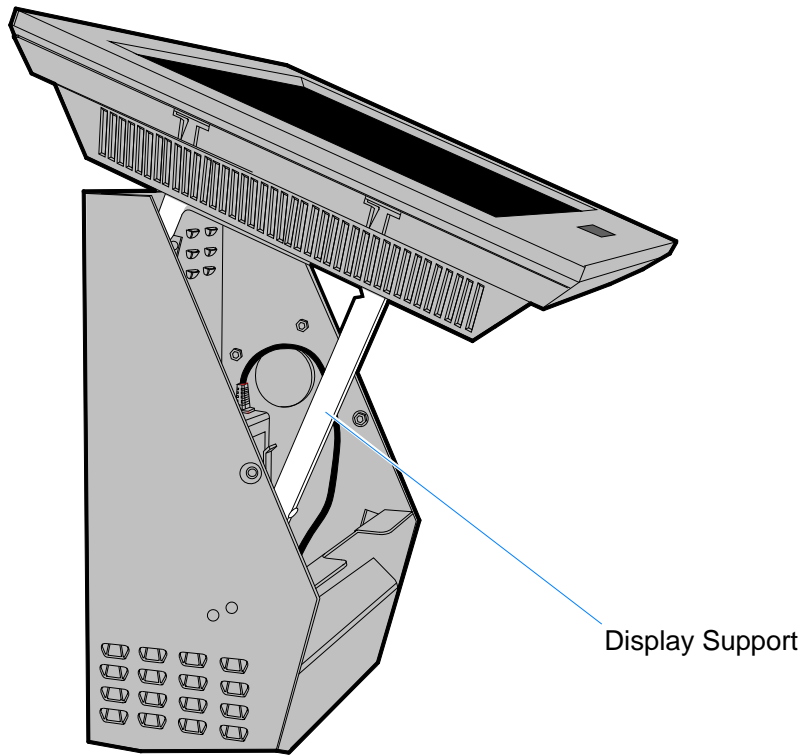
24444

- 7409 Only:** Install the Display onto the Rear Cover hinge. Align the hinges and squeeze the Rear Cover Latches together to retract the pins. Once aligned, release the latches. Close the display. Tighten the captive screws (2) to secure the display.



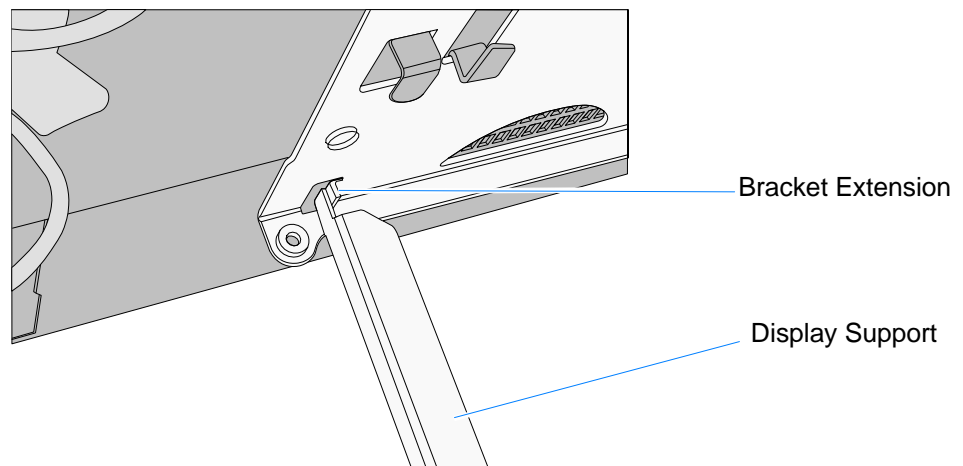
29493

10. **7404 Only:** Rest the bottom of the display on the Display Support.



24742

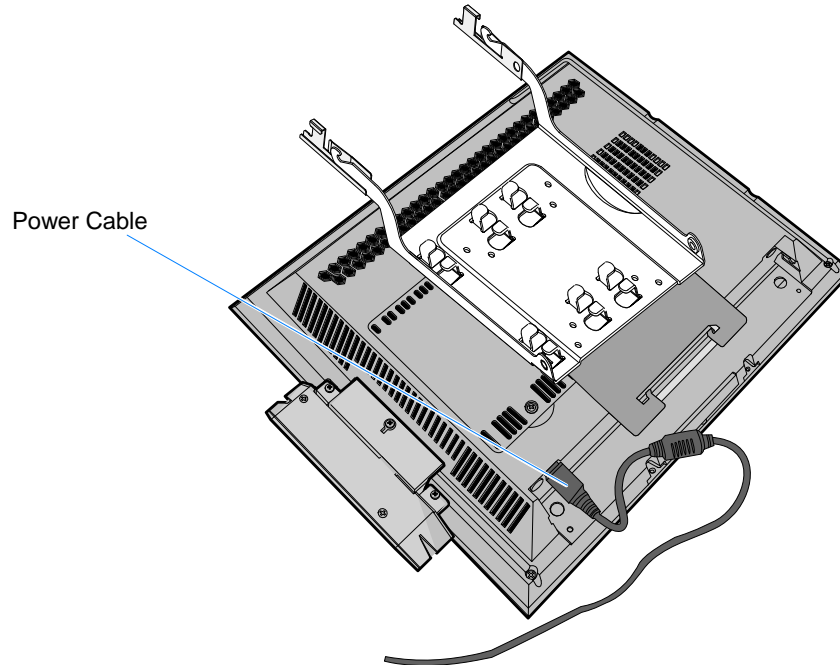
Note: Place the Display Support securely behind the Bracket Extension on the Display Hinge Bracket.



24753

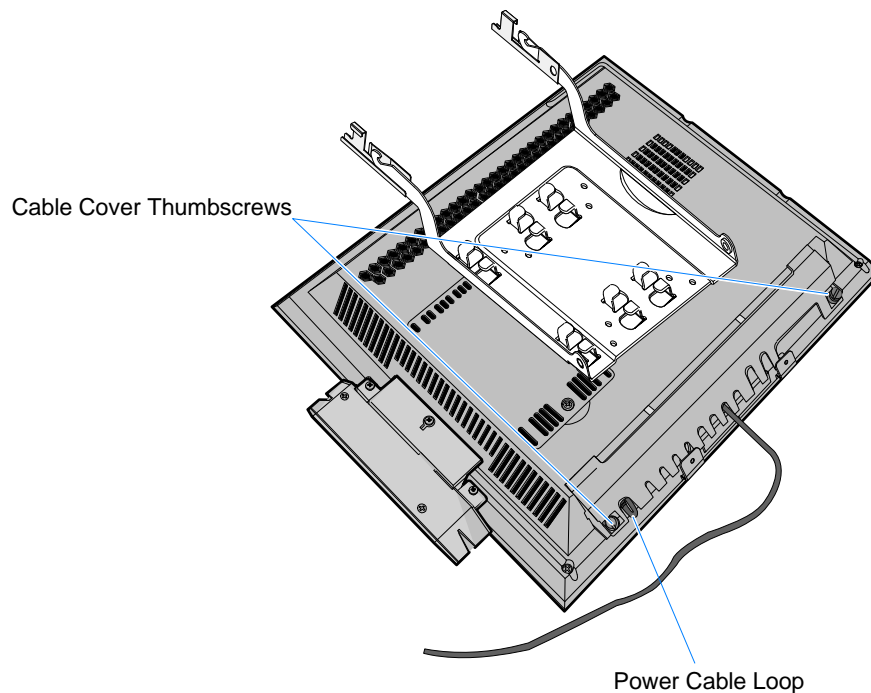
11. Connect the Power Supply Cable (and other cables as applicable) to the I/O Panel.

7404 Only: Since the connector is rather long you need to put a sharp bend in the cable close to the connector as shown in order to keep the cable inside the Cable Cover. This bend will extend out of one of the slots in the Cable Cover.



24770

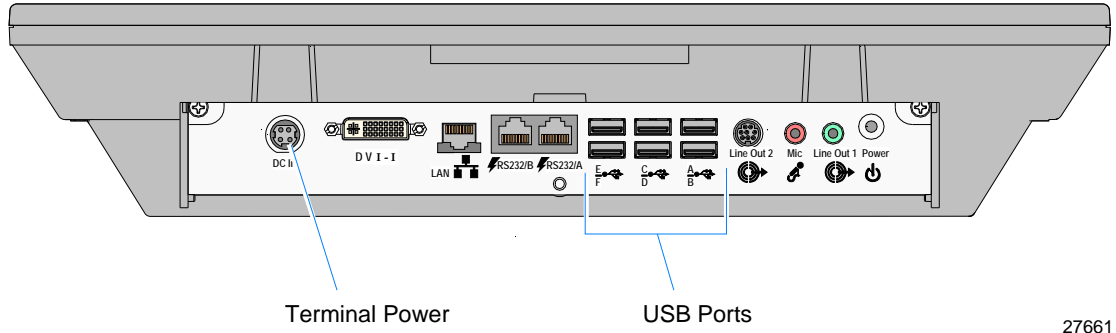
12. **7404 Only:** Install the Cable Cover (2 thumbscrews), routing the cable(s) out the slot(s) in the cover.



24769

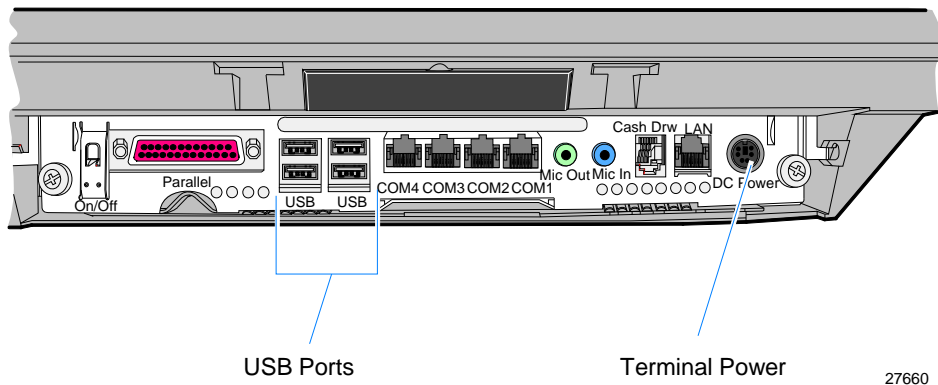
Terminal Cable Connections

7409



27661

7404



27660

Cable Routing

Use the illustration below to connect and route the cables.

