

Kit Instructions

2247 Signage Kit



2247-K300
Issue A



The product described in this document is a licensed product of NCR Corporation.

NCR is a registered trademark of NCR Corporation. NCR SelfServ™ is a trademark of NCR Corporation in the United States and/or other countries. Other product names mentioned in this publication may be trademarks or registered trademarks of their respective companies and are hereby acknowledged.

The terms HDMI and HDMI High-Definition Multimedia Interface, and the HDMI Logo are trademarks or registered trademarks of HDMI Licensing LLC in the United States and other countries.

Where creation of derivative works, modifications or copies of this NCR copyrighted documentation is permitted under the terms and conditions of an agreement you have with NCR, NCR's copyright notice must be included.

It is the policy of NCR Corporation (NCR) to improve products as new technology, components, software, and firmware become available. NCR, therefore, reserves the right to change specifications without prior notice.

All features, functions, and operations described herein may not be marketed by NCR in all parts of the world. In some instances, photographs are of equipment prototypes. Software screen images are representative, and in some cases, may not match a customer's installed software exactly. Therefore, before using this document, consult with your NCR representative or NCR office for information that is applicable and current.

To maintain the quality of our publications, we need your comments on the accuracy, clarity, organization, and value of this book. Please use the link below to send your comments.

Email: FD230036@ncr.com

Copyright © 2019
By NCR Corporation
864 Spring St. NW
Atlanta, GA 30308
United States
All Rights Reserved

Revision Record

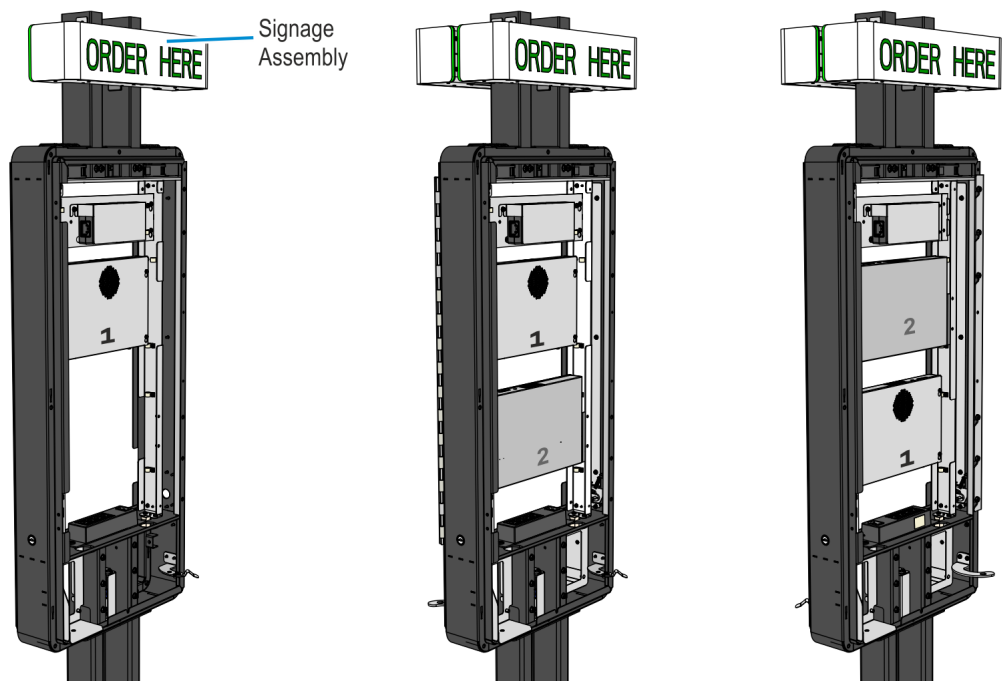
Issue	Date	Remarks
A	Apr 2019	First Issue

Signage

This publication provides procedures for installing the Signage Kit to NCR SelfServ™ XK32 (2247).

Installing the Signage Assembly requires a step ladder or a work platform.

For a Dual-Sided Kiosk configuration, there are two signage assemblies, one for each side, that need to be installed to the kiosk. Perform the procedure below on each side to install both assemblies.

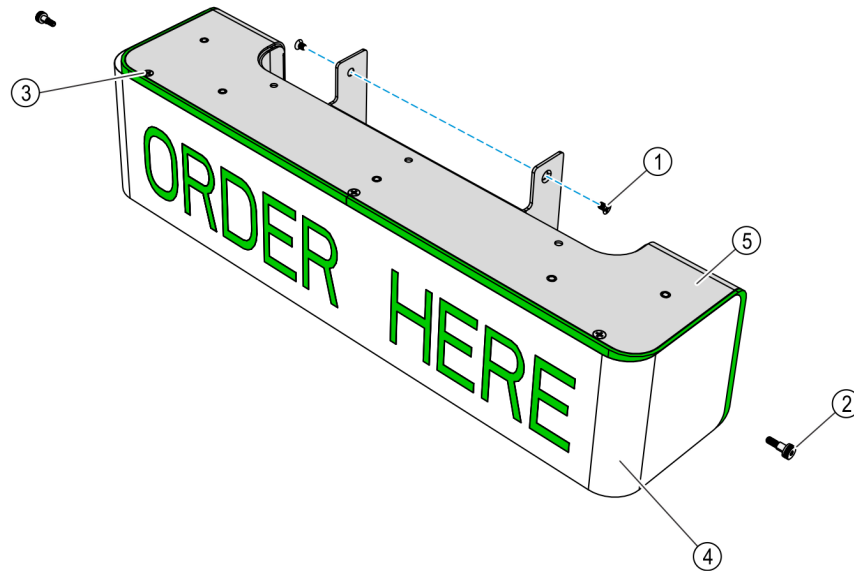


Single-Sided Kiosk

Dual-Sided Kiosk
(Primary Terminal)

Dual-Sided Kiosk
(Secondary Terminal)

Kit Contents



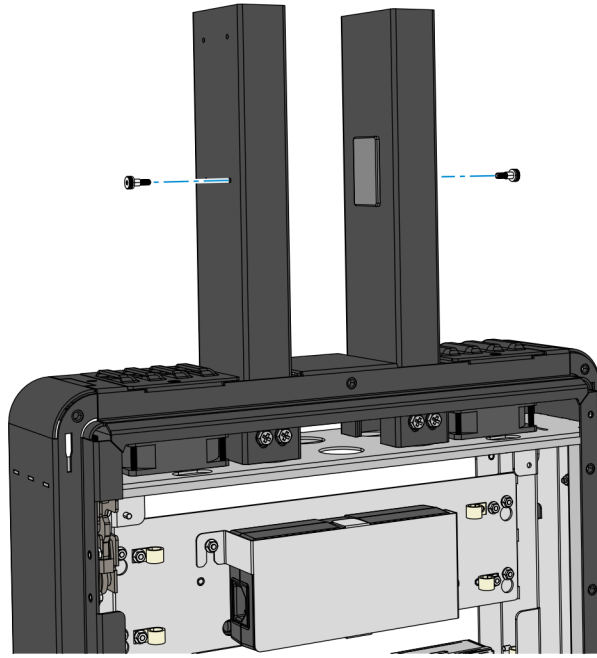
CCP-75984

Item	Part Number	Qty	Description
497-0525391			2247-K300 Signage Kit
1	006-8623633	2	Machine Screw, Flat Head Phillips Zinc-Plated Steel, M4 Size, 6mm Length, .7mm Pitch
2	006-8626510	2	Shoulder Screw, M4 X 6mm
3	007-7023430	10	Screw M4.2 X 8 Plastite CSK Pozi
4	497-0518522	1	Light Plastic Diffuser, 2245
5	497-0518533	1	Metal Enclosure, Signage Trilight, 2245

Installation Procedure

To install the Signage Kit, follow these steps:

1. Install an M4 shoulder screw on the bottom signage mounting hole of each Top Pole.



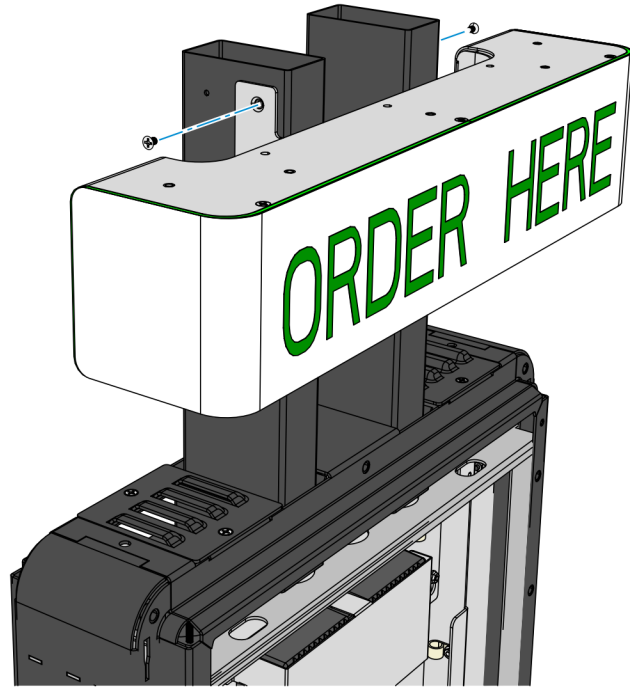
CCP-73347

2. Mount the Signage to the Top Pole by hooking the bottom bracket of the Signage to the M4 shoulder screws on the Top Pole.



CCP-73348

3. Secure the top side of the Signage assembly using an M4 flathead screw on each side.



CCP-73349