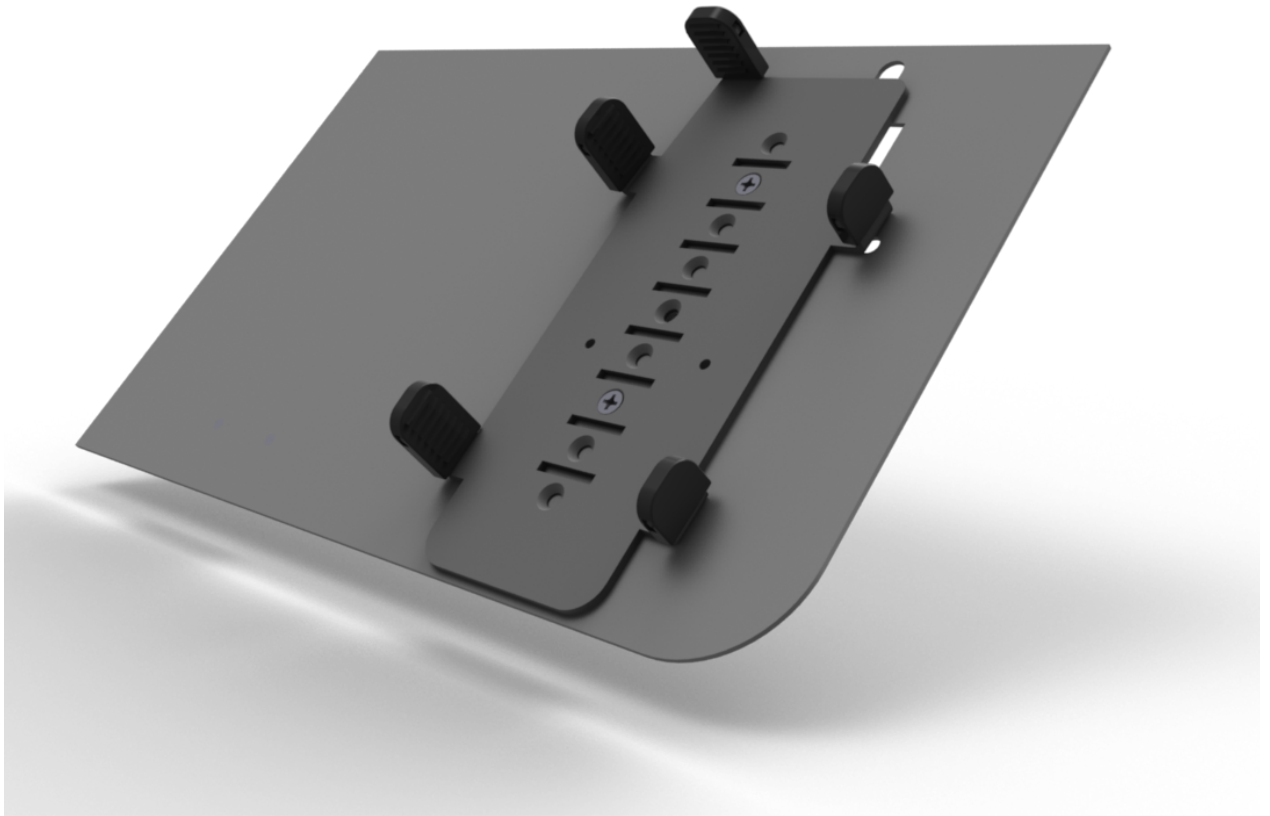


# Kit Instructions

2247 PIN Pad Mount (Verifone VX820) Kit



2247-K070  
Issue A



---

The product described in this document is a licensed product of NCR Corporation.

NCR is a registered trademark of NCR Corporation. NCR SelfServ™ is a trademark of NCR Corporation in the United States and/or other countries. Other product names mentioned in this publication may be trademarks or registered trademarks of their respective companies and are hereby acknowledged.

The terms HDMI and HDMI High-Definition Multimedia Interface, and the HDMI Logo are trademarks or registered trademarks of HDMI Licensing LLC in the United States and other countries.

Where creation of derivative works, modifications or copies of this NCR copyrighted documentation is permitted under the terms and conditions of an agreement you have with NCR, NCR's copyright notice must be included.

It is the policy of NCR Corporation (NCR) to improve products as new technology, components, software, and firmware become available. NCR, therefore, reserves the right to change specifications without prior notice.

All features, functions, and operations described herein may not be marketed by NCR in all parts of the world. In some instances, photographs are of equipment prototypes. Software screen images are representative, and in some cases, may not match a customer's installed software exactly. Therefore, before using this document, consult with your NCR representative or NCR office for information that is applicable and current.

To maintain the quality of our publications, we need your comments on the accuracy, clarity, organization, and value of this book. Please use the link below to send your comments.

Email: [FD230036@ncr.com](mailto:FD230036@ncr.com)

Copyright © 2019  
By NCR Corporation  
864 Spring St. NW  
Atlanta, GA 30308  
United States  
All Rights Reserved

---

## Revision Record

Issue	Date	Remarks
A	Apr 2019	First Issue



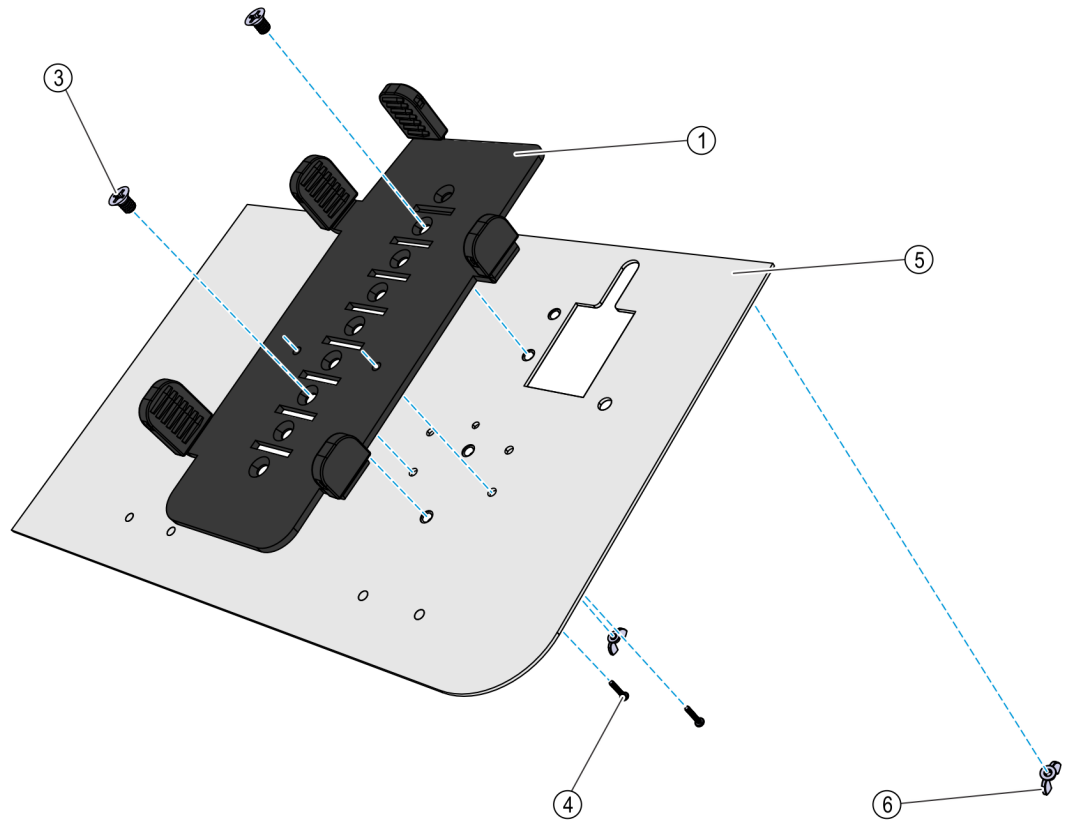
---

# PIN Pad Mount (Verifone VX820)

---

This publication provides procedures for installing the PIN Pad Mount Kit to NCR SelfServ™ XK32 (2247).

## Kit Contents



CCP-76601

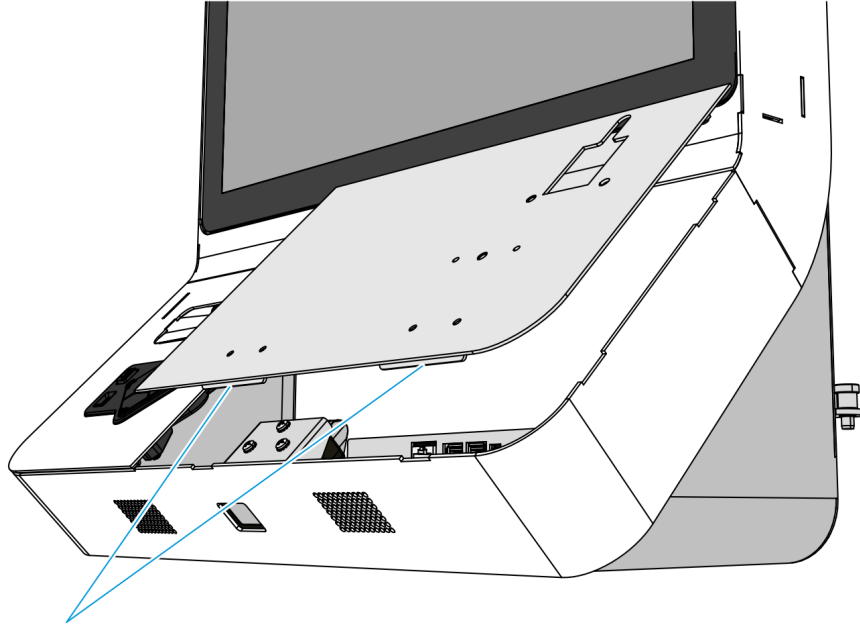
Item	Part Number	Qty	Description
	497-0525209		2247-K070 PIN Pad Mount (Verifone VX820) Kit
	1 497-0519650	1	PIN Pad Plate, Spacepole, Verifone VX820
*	2 497-0520425	1	Label Set - Hole Cover, NCR Dark White, 12.7mm Diameter
	3 006-8626390	2	Screw, Flathead, Phillips, Black Oxide, M4 X 6
	4 006-8626871	2	Screw, M2 X 0.40, 12-mm length. Pan head, Zinc Plated
	5 795-0259000-9099	1	Panel, Payment Device, 2245
	6 006-8625120	2	Nut, Wing, M4, Steel, Zinc Plated

\* Items marked with an asterisk are not called out on the image.

# Installation Procedure

To install the Verifone VX820 PIN Pad Mount Kit, follow these steps:

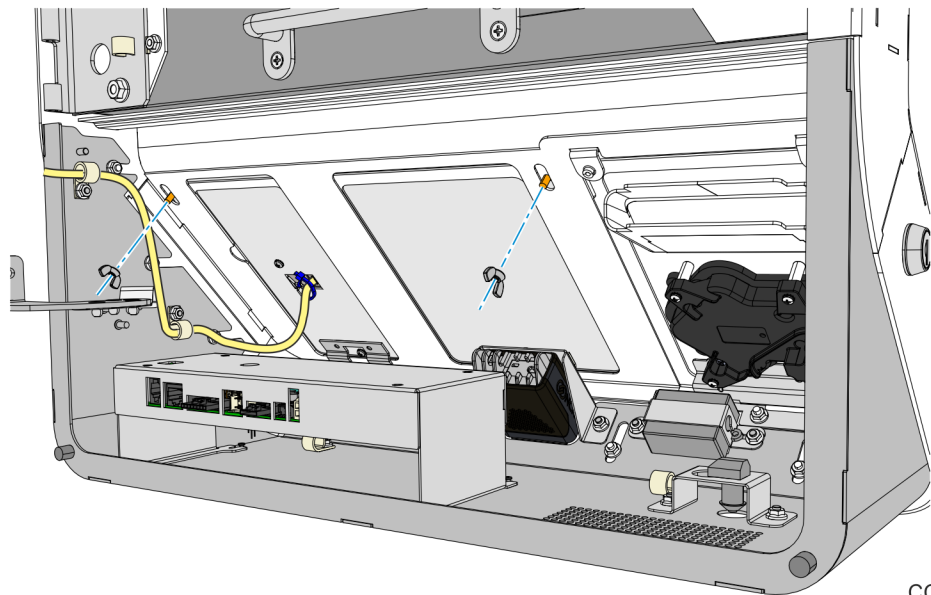
1. Mount the PIN Pad panel to the kiosk, hooking its feet over the door panel.



PIN Pad Panel Feet

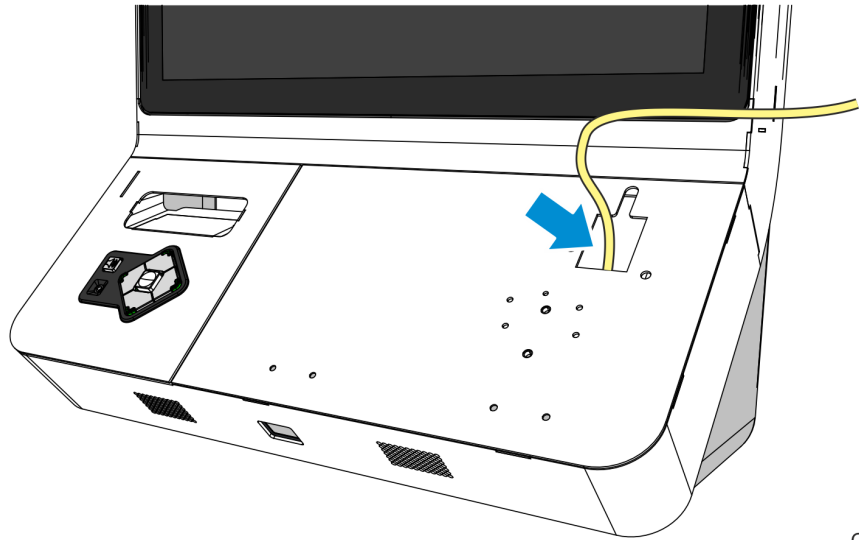
CCP-76600

2. Secure the PIN Pad Panel to the kiosk using two wing nuts.



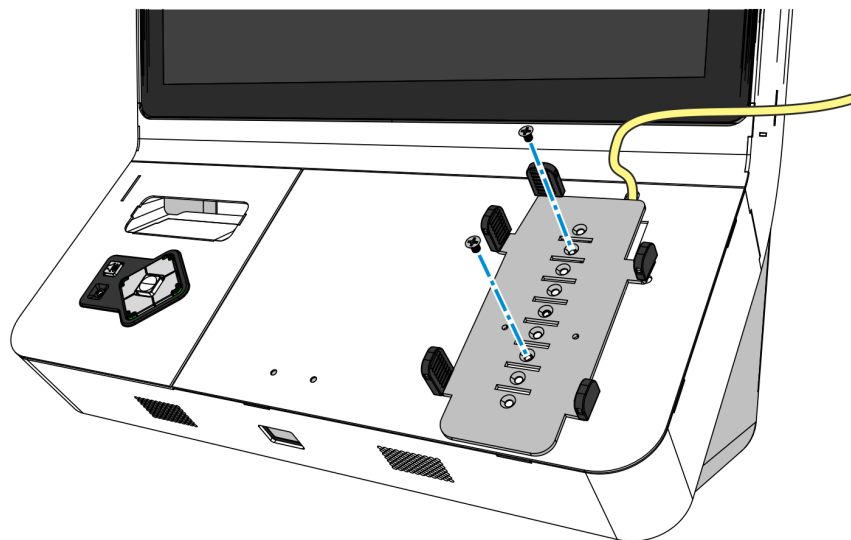
CCP-73706

3. Slowly drop the PIN pad cable through the cable access hole on the Fascia Panel.



CCP-75018

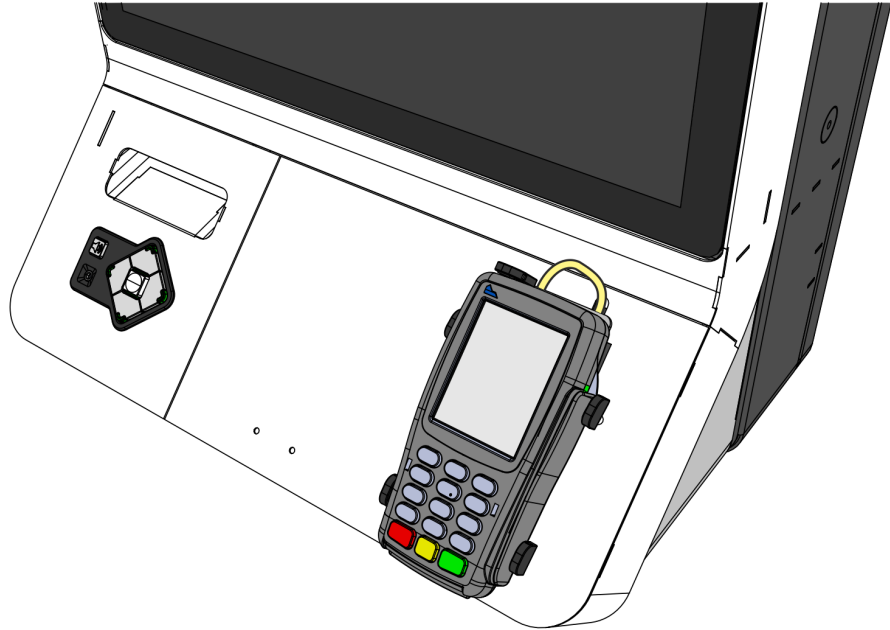
4. Insert the cable into the slot on top of the access hole and then mount and secure the PIN Pad plate on the panel using two screws. Use the second and seventh mounting holes to secure the plate to the panel.



CCP-75020

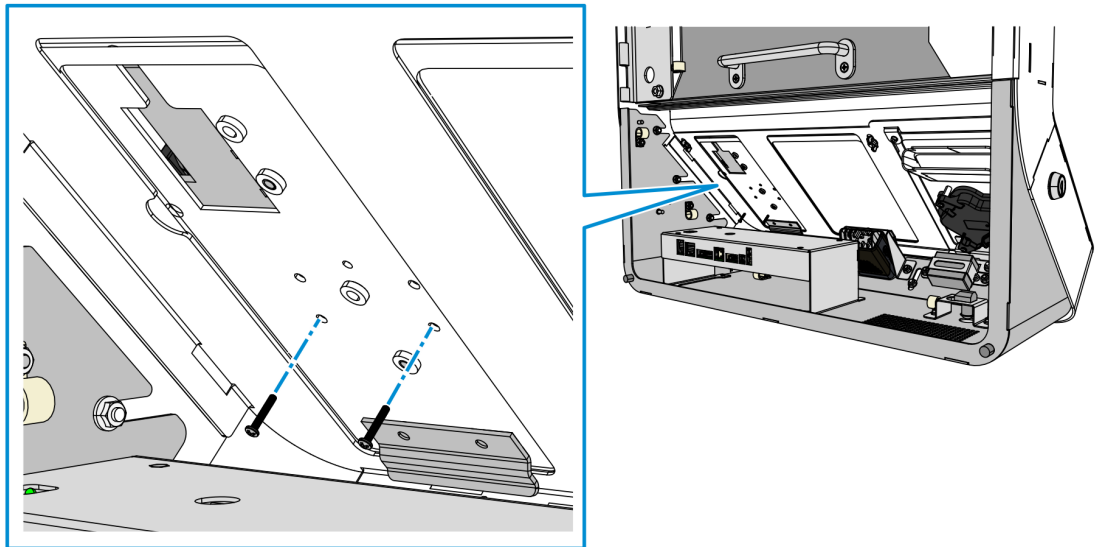


5. Connect the cable to the PIN Pad and then mount the PIN Pad on the plate.



CCP-75021

6. Inside the Door Cabinet, secure the PIN pad using two screws.



CCP-75017

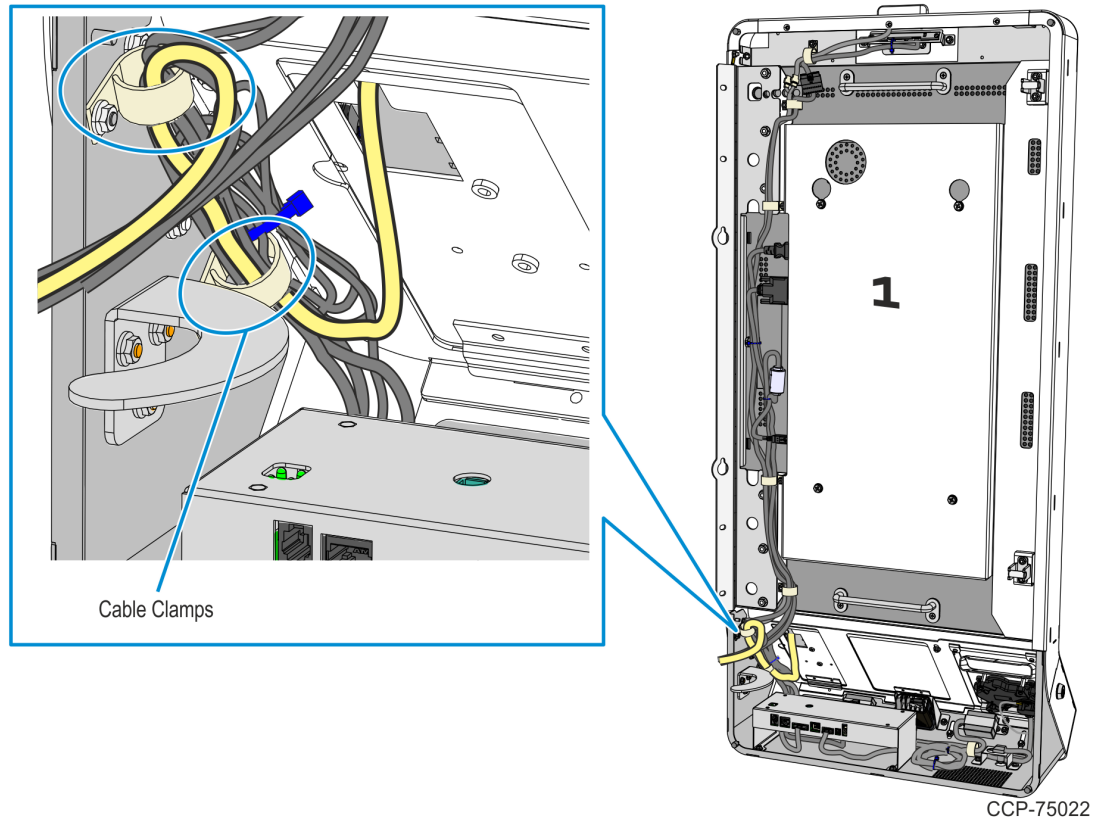
7. Route and connect the PIN pad cable to the EBox, see [Routing the PIN Pad Cable](#) on the next page.



**Note:** For installation procedures of other kiosk components, refer to *NCR SelfServ™ XK32 (2245) Kiosk Operator Guide (BCC5-0000-5247)*.

## Routing the PIN Pad Cable

1. Route and secure the cable through the cable clamps on the left-hand side of the Door Cabinet.



2. Insert the PIN Pad Cable upward through the cable access hole in the Main Frame and route the cable through the right-hand side of the frame towards the EBox.
3. Connect the cable to the **USB C** port of the EBox IO Panel.
4. Secure the cable using the cable clamps along its route.

