

Kit Instructions

2247 Floor Mount Kit



2247-K042
Issue A



The product described in this document is a licensed product of NCR Corporation.

NCR is a registered trademark of NCR Corporation. NCR SelfServ™ is a trademark of NCR Corporation in the United States and/or other countries. Other product names mentioned in this publication may be trademarks or registered trademarks of their respective companies and are hereby acknowledged.

The terms HDMI and HDMI High-Definition Multimedia Interface, and the HDMI Logo are trademarks or registered trademarks of HDMI Licensing LLC in the United States and other countries.

Where creation of derivative works, modifications or copies of this NCR copyrighted documentation is permitted under the terms and conditions of an agreement you have with NCR, NCR's copyright notice must be included.

It is the policy of NCR Corporation (NCR) to improve products as new technology, components, software, and firmware become available. NCR, therefore, reserves the right to change specifications without prior notice.

All features, functions, and operations described herein may not be marketed by NCR in all parts of the world. In some instances, photographs are of equipment prototypes. Software screen images are representative, and in some cases, may not match a customer's installed software exactly. Therefore, before using this document, consult with your NCR representative or NCR office for information that is applicable and current.

To maintain the quality of our publications, we need your comments on the accuracy, clarity, organization, and value of this book. Please use the link below to send your comments.

Email: FD230036@ncr.com

Copyright © 2019
By NCR Corporation
864 Spring St. NW
Atlanta, GA 30308
United States
All Rights Reserved

Revision Record

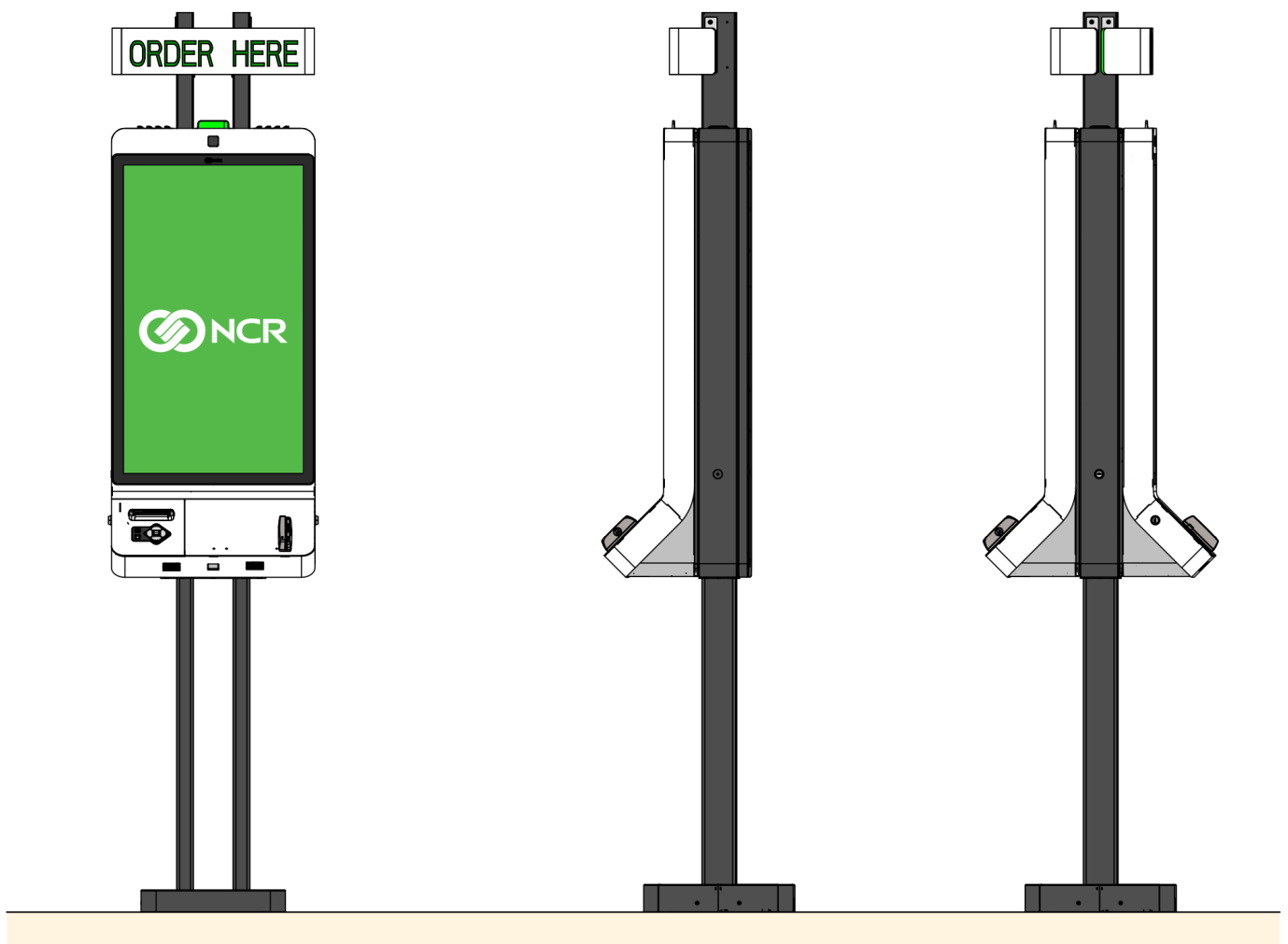
Issue	Date	Remarks
A	Apr 2019	First Issue

Floor Mount

This publication provides procedures for installing the Floor Mount Kit to NCR SelfServ™ XK32 (2247).

The Floor Mount requires to be bolted to the floor using four anchor bolts and nuts. It is the responsibility of the owning institution to provide the anchors to secure the kiosk.

For floor bolt holes and anchor details, refer to the "Floor Only Mounting Details" section of the *NCR SelfServ XK32 (2245) Site Preparation (BCC5-0000-5245)*.

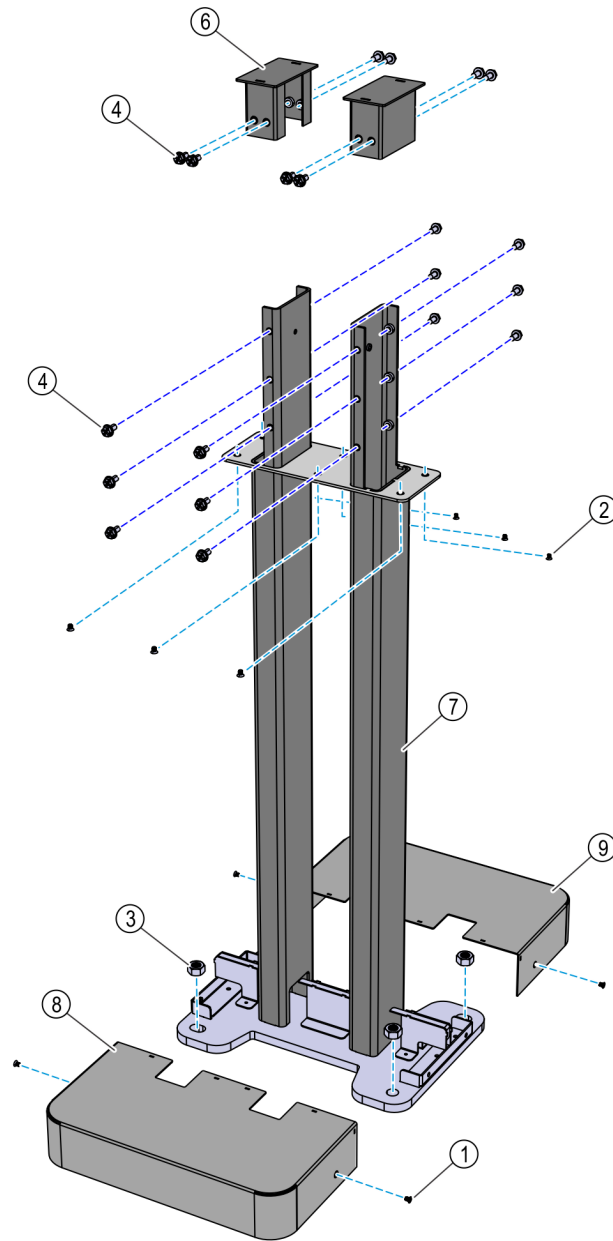


Floor Mounted Kiosk
(Front View)

Floor Mounted
Single-Sided
Kiosk
(Side View)

Floor Mounted
Dual-Sided
Kiosk
(Side View)

Kit Contents



CCP-75989

Item	Part Number	Qty	Description
497-0525208			2247-K042 Floor Mount Only Kit
1	006-8623633	4	Machine Screw, Flat Head Phillips Zinc-Plated Steel, M4 Size, 6mm Length, .7mm Pitch
2	006-8624547	6	Screw M6 Size, 12mm Length, 1mm Pitch Flat Head Phillips Thread Locking Patch

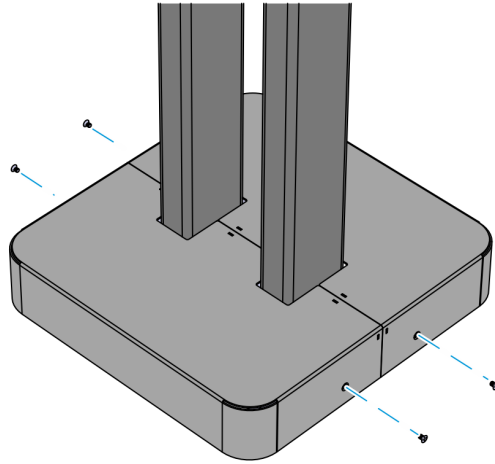
Item	Part Number	Qty	Description
3	006-8626335	4	Hex Nut - M12 X 1.75mm Thread - Zinc-Plated Steel
4	009-0006599	20	Screw M6 X 12 M/C Combi Pozi
*	5	497-0415086	1 Cable - IEC AC, 4ft
6	497-0519891	2	Top Blanking, Wall Mount, 2245
7	497-0521719	1	Weldment Metal Stand, 2245
8	497-0521721	1	Base Stand Cover, Front, 2245
9	497-0521722	1	Base Stand Cover, Back, 2245

* Items marked with an asterisk are not called out on the image.

Installation Procedure

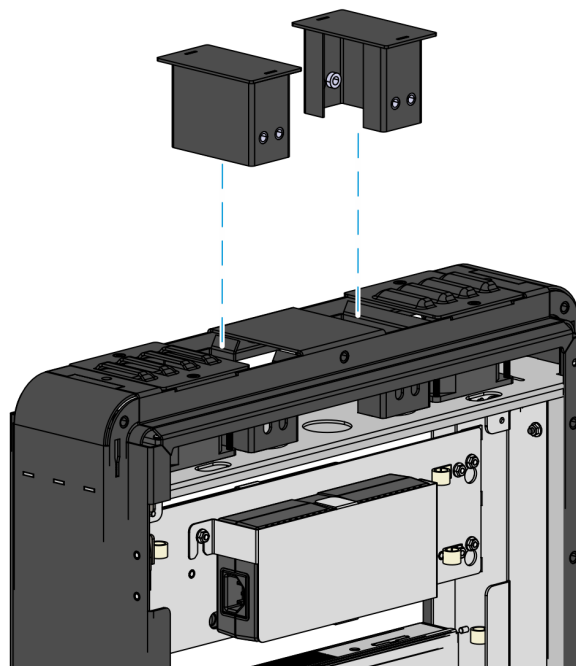
Installing the Floor Mount kit involves the following procedures:

1. Remove the Base Stand Covers from the Floor Mount Assembly by removing the screws indicated in the following image.



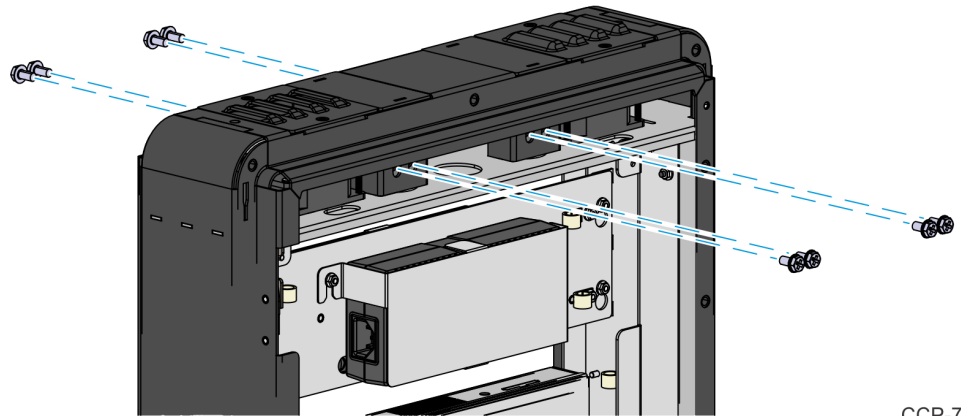
CCP-75990

2. Install the Floor Mount. For procedures, refer to [Installing the Floor Mount](#) on the facing page.
3. Install the Base Stand Cover and secure them with four screws.
4. Install the Main Frame. For procedures, refer to [Installing the Main Frame](#) on page 8.
5. Install the two Top Blanking Covers.
 - a. Insert the Top Blanking Covers into the Main Frame.



CCP-75988

- b. Secure the Top Blanking Covers to the Main Frame using four M6 hex head screws for each cover.



CCP-75987

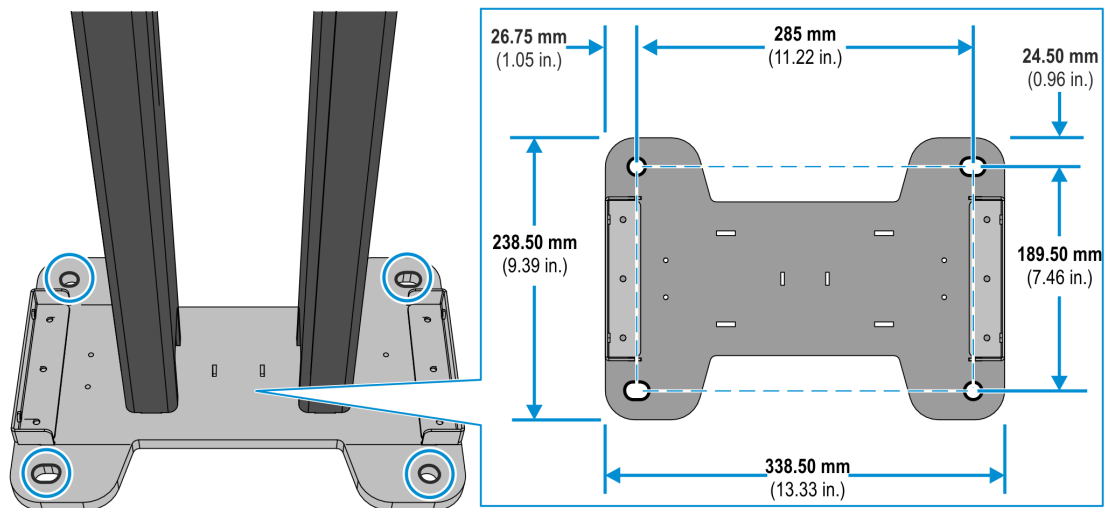


Note: For installation procedures of other kiosk components, refer to *NCR SelfServ™ XK32 (2245) Kiosk Operator Guide (BCC5-0000-5247)*.

Installing the Floor Mount

To install the Floor Mount, perform the following steps:

1. Position the Floor Mount on the final installation location of the kiosk and mark the floor mounting holes on the floor.

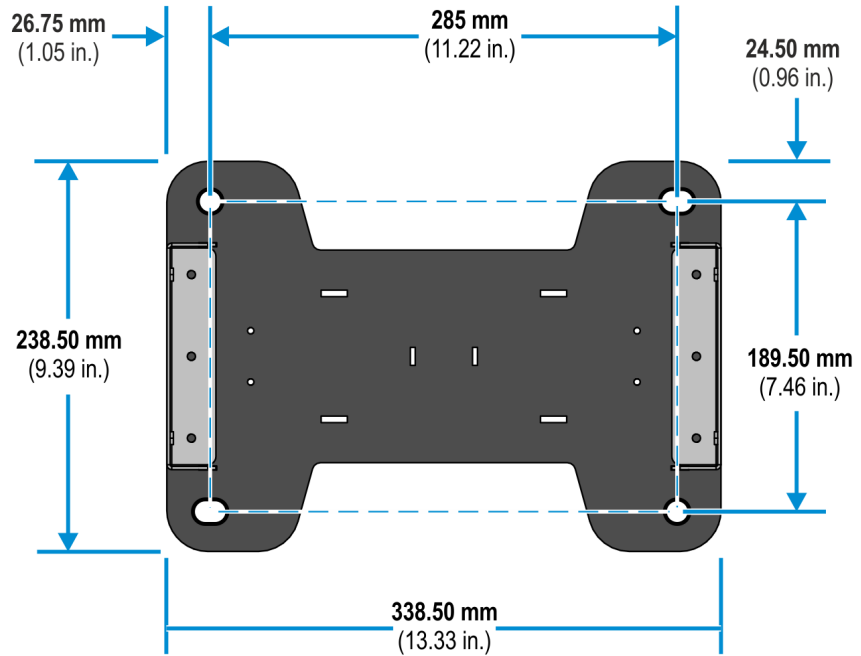


CCP-73880

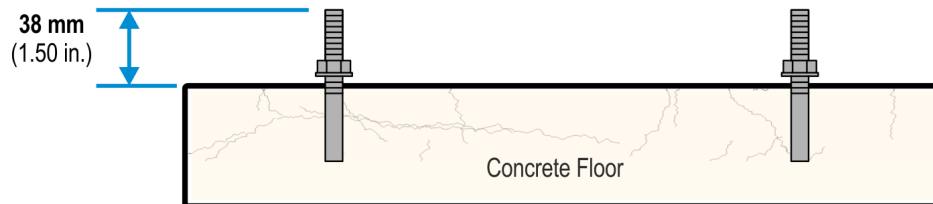
2. Remove the Floor Mount.

3. Drill four mounting holes and install the four anchors.
 - a. Drill four **12 mm** (0.50 in.) holes over the marked mounting hole locations.
 - b. Install four anchors into the drilled mounting holes. Make sure that the tip of the anchors do not exceed **38 mm** (1.50 in.) from the floor surface.

Detail A

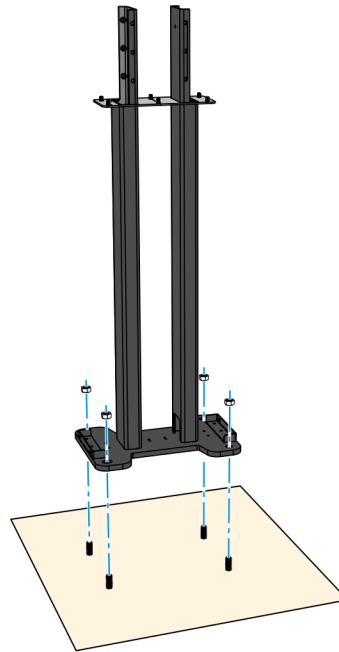


Detail B



CCP-73881

4. Mount and secure the Metal Stand Legs on the anchors using four M12 nuts.

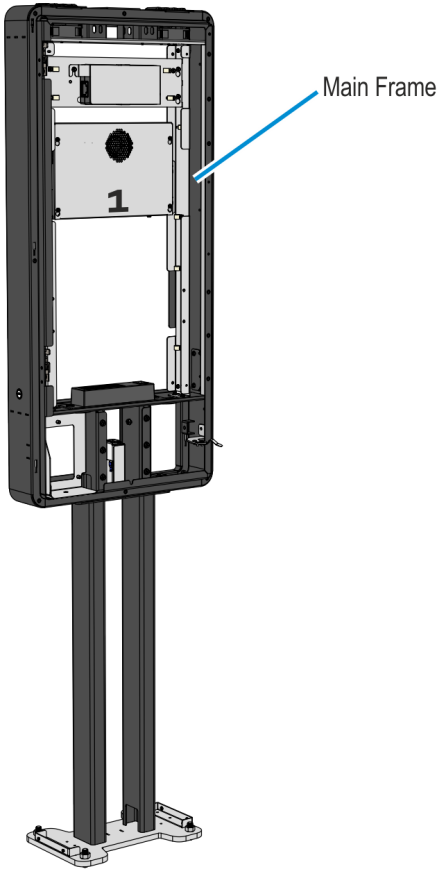


CCP-73341

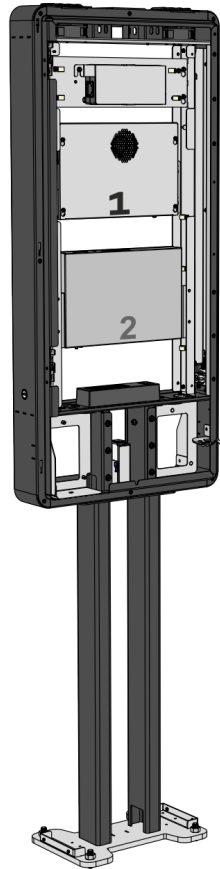
Installing the Main Frame



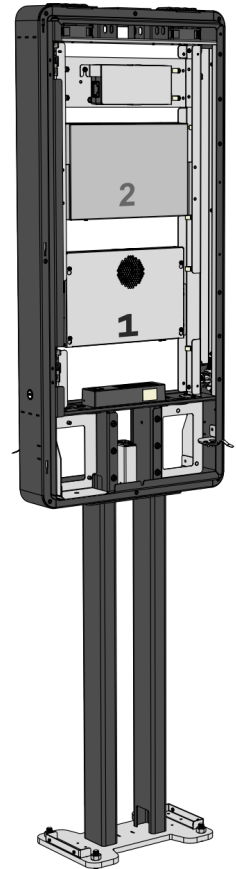
Caution: Due to its weight, installing the Main Frame to the Leg Stand requires at least two persons.



Single-Sided Kiosk




Dual-Sided Kiosk
(Primary Terminal)

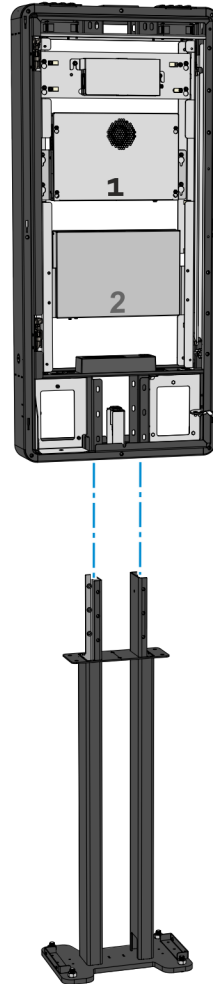


Dual-Sided Kiosk
(Secondary Terminal)

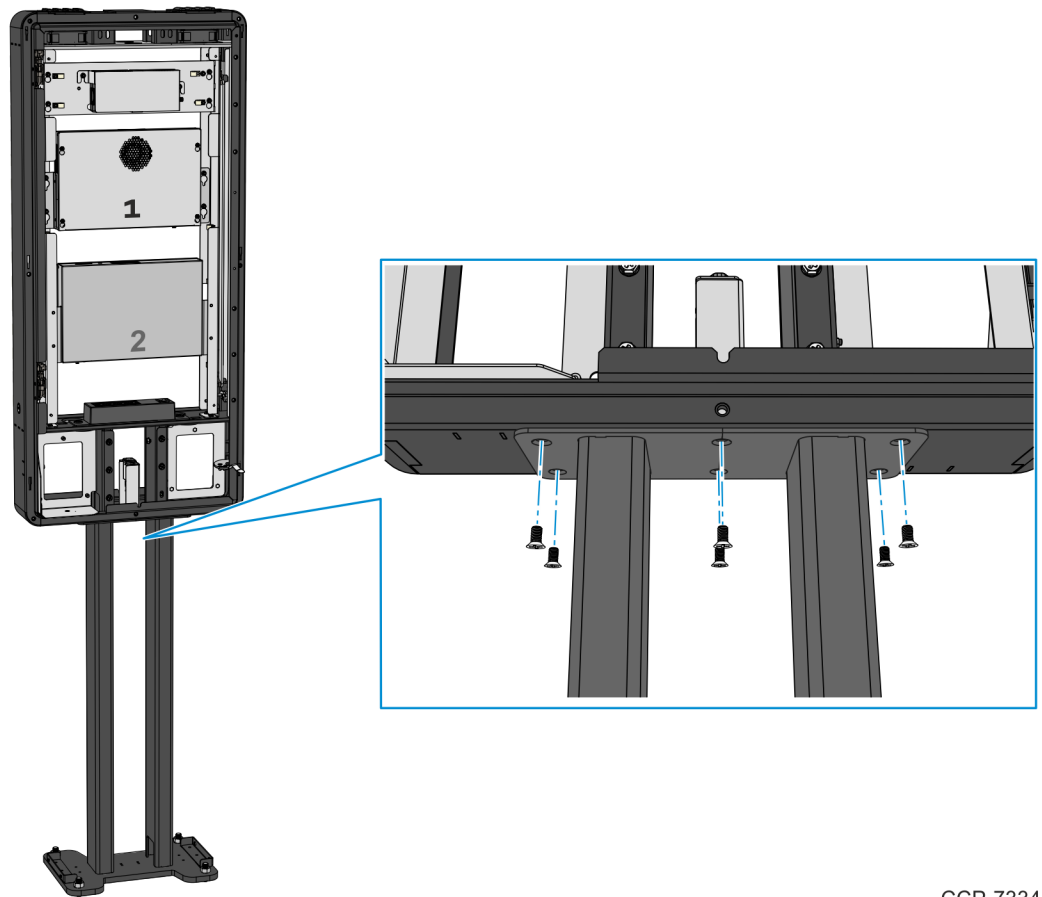
To install the Main Frame, perform the following steps:

1. Insert the Main Frame Assembly to the Leg Stand.

 **Caution:** Continue to support the frame while it is being secured to the stand.

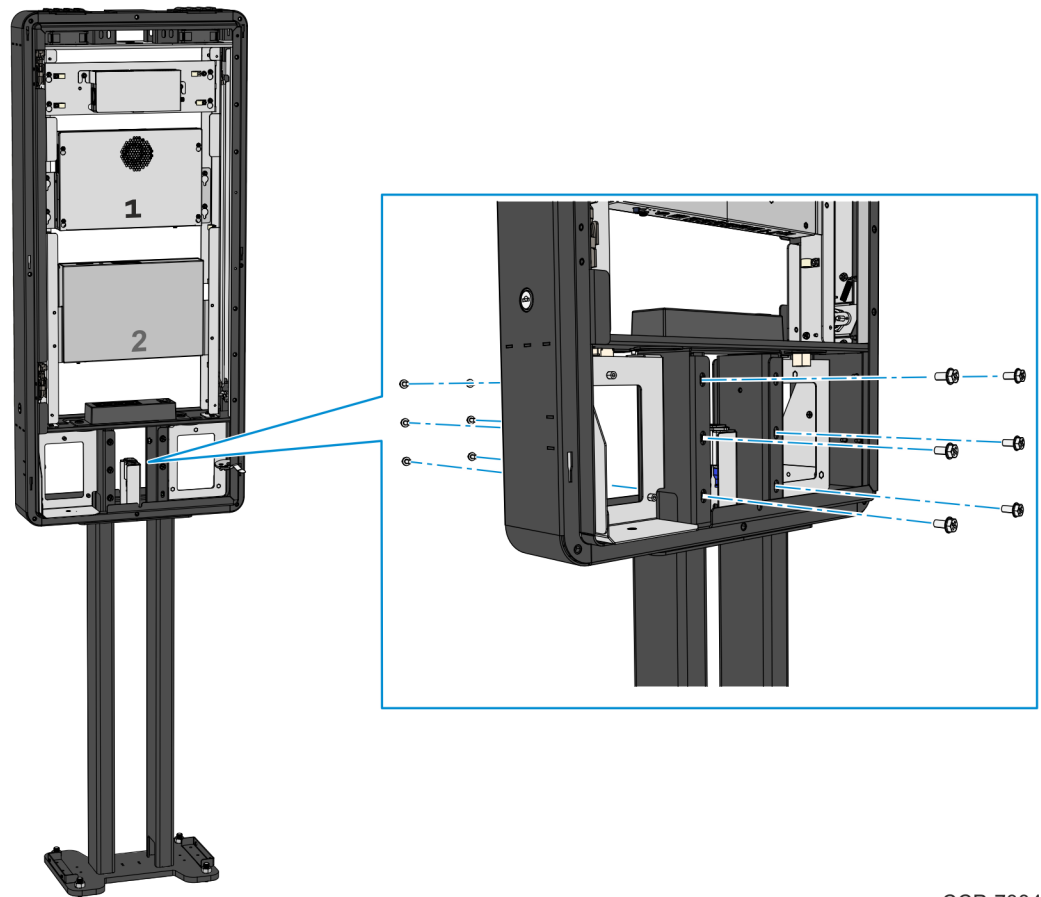


2. On the bottom side, secure the Main Frame to the stand plate using six M6 flathead screws.



CCP-73344

3. On the front and rear sides, secure the Main Frame to the stand using six M6 combination screws on each leg.



CCP-73343

