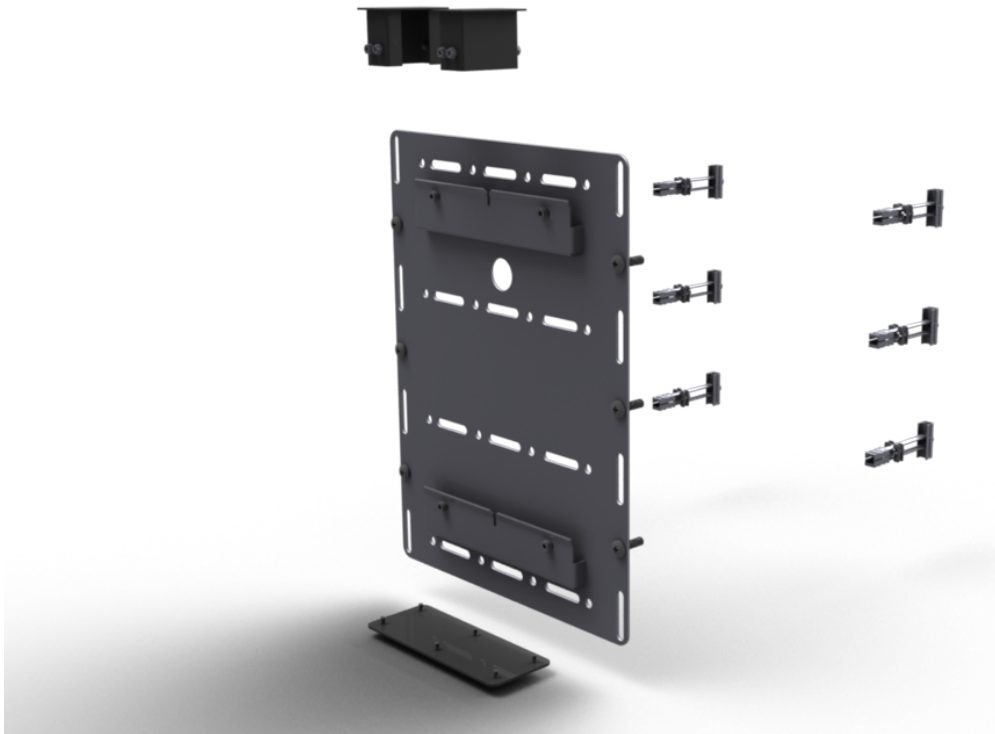


Kit Instructions

2247 Wall Mount Kit



2247-K041
Issue A



The product described in this document is a licensed product of NCR Corporation.

NCR is a registered trademark of NCR Corporation. NCR SelfServ™ is a trademark of NCR Corporation in the United States and/or other countries. Other product names mentioned in this publication may be trademarks or registered trademarks of their respective companies and are hereby acknowledged.

The terms HDMI and HDMI High-Definition Multimedia Interface, and the HDMI Logo are trademarks or registered trademarks of HDMI Licensing LLC in the United States and other countries.

Where creation of derivative works, modifications or copies of this NCR copyrighted documentation is permitted under the terms and conditions of an agreement you have with NCR, NCR's copyright notice must be included.

It is the policy of NCR Corporation (NCR) to improve products as new technology, components, software, and firmware become available. NCR, therefore, reserves the right to change specifications without prior notice.

All features, functions, and operations described herein may not be marketed by NCR in all parts of the world. In some instances, photographs are of equipment prototypes. Software screen images are representative, and in some cases, may not match a customer's installed software exactly. Therefore, before using this document, consult with your NCR representative or NCR office for information that is applicable and current.

To maintain the quality of our publications, we need your comments on the accuracy, clarity, organization, and value of this book. Please use the link below to send your comments.

Email: FD230036@ncr.com

Copyright © 2019
By NCR Corporation
864 Spring St. NW
Atlanta, GA 30308
United States
All Rights Reserved

Revision Record

Issue	Date	Remarks
A	Apr 2019	First Issue

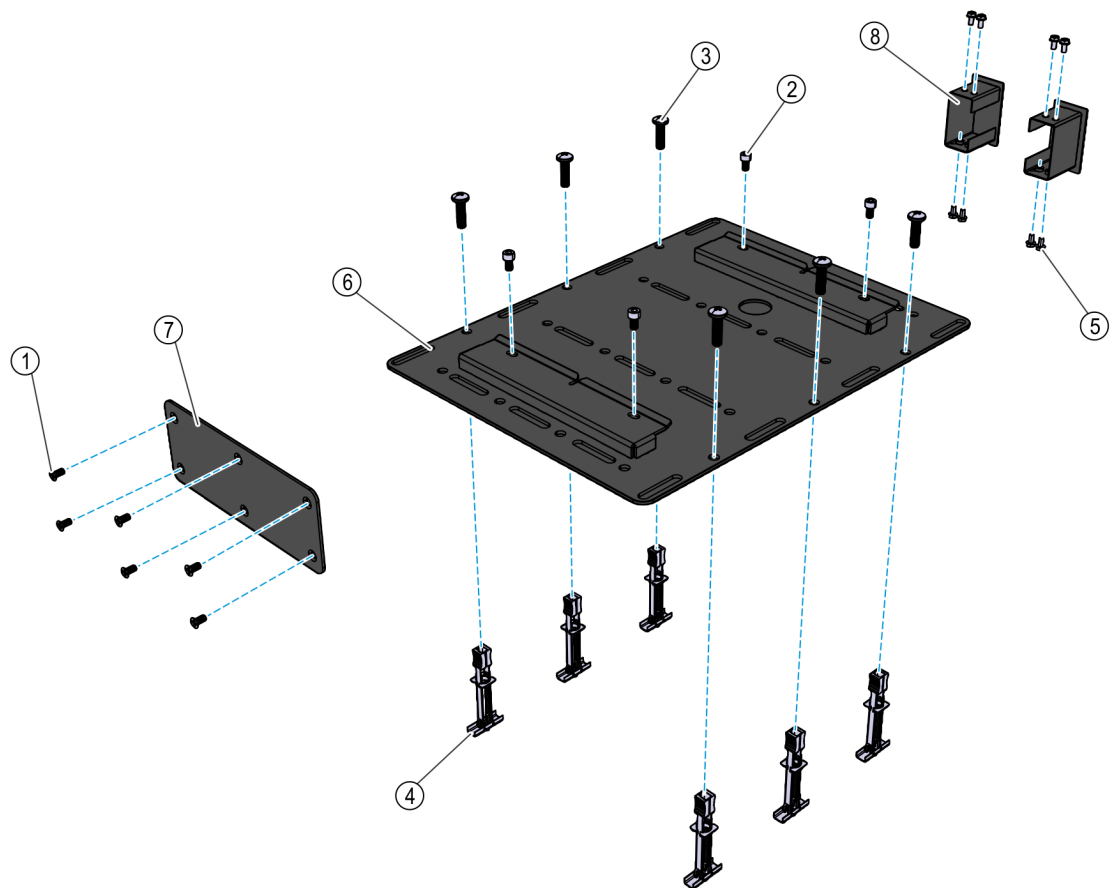
Wall Mount

This publication provides procedures for installing the Wall Mount Kit to NCR SelfServ™ XK32 (2247).

The wall must be prepared, mounting holes drilled, and anchors installed before installation of the kiosk. It is the responsibility of the owning institution to provide the nuts and anchors for the kiosk.

For wall, bolt holes and anchor details, refer to the "Dry Wall Mounting Details" section of the *NCR SelfServ XK32 (2245) Site Preparation (BCC5-0000-5245)*.

Kit Contents



Item	Part Number	Qty	Description
497-0525207			2247-K041 Wall Mount Kit
1	006-8624547	6	Screw M6 Size, 12mm Length, 1mm Pitch Flat Head Phillips Thread Locking Patch
2	006-8626526	4	Screw, M8 X 1.25mm Thread, 14-mm Long, Socket Head, Black-Oxide
3	006-8626867	6	Screw, M10 x 1.5, 35mm Length, Pan Head, Zinc Plated
4	006-8626873	6	Heavy Duty, M10 Snap Toggle Anchor, Zinc Plated
5	009-0006599	8	Screw M6 X 12 M/C Combi Pozi
6	497-0519776	1	Wall Mount Bracket, 2245
7	497-0519890	1	Bottom Blanking, Wall Mount, 2245
8	497-0519891	2	Top Blanking, Wall Mount, 2245

Installation Procedure

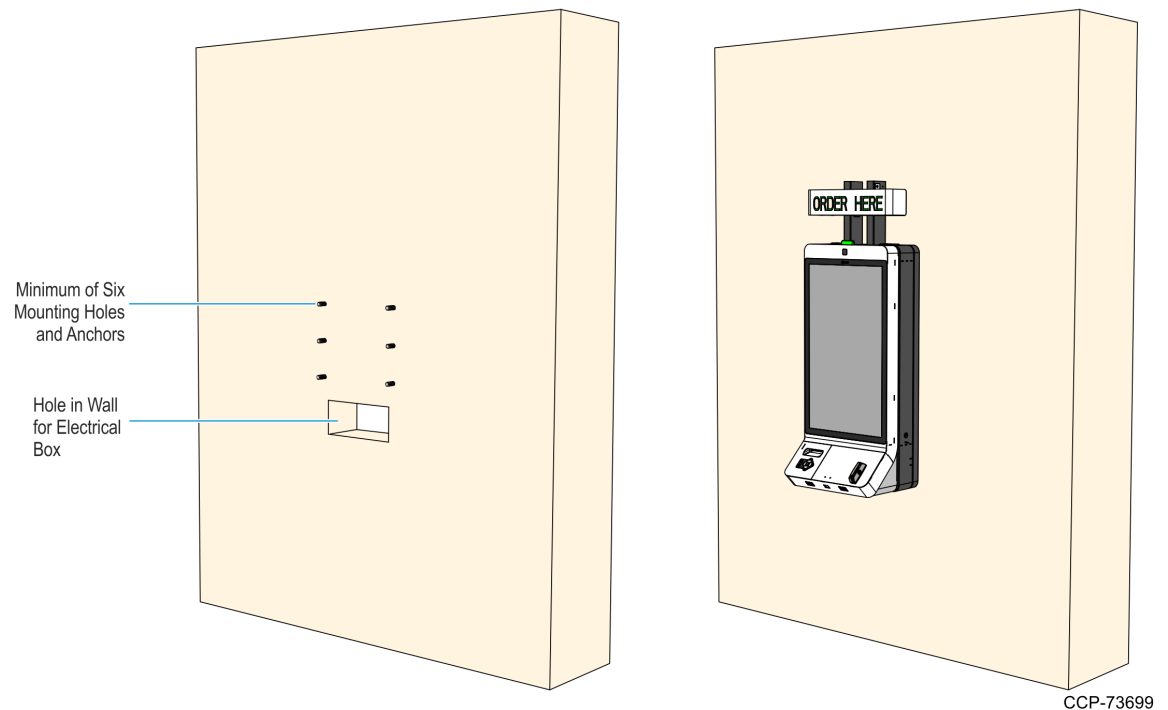
Installation of the Wall Mount Configuration varies depending on the type of wall the kiosk will be mounted on. Refer to the following sections as appropriate for the installation site:

- [Concrete Wall Installation](#) on the next page
- [Dry Wall with Metal C-Stud Frame Installation](#) on page 8

Concrete Wall Installation

For a concrete wall installation of the wall mount kiosk, NCR recommends to use a minimum of six M10 anchors and nuts to secure the kiosk to the wall.

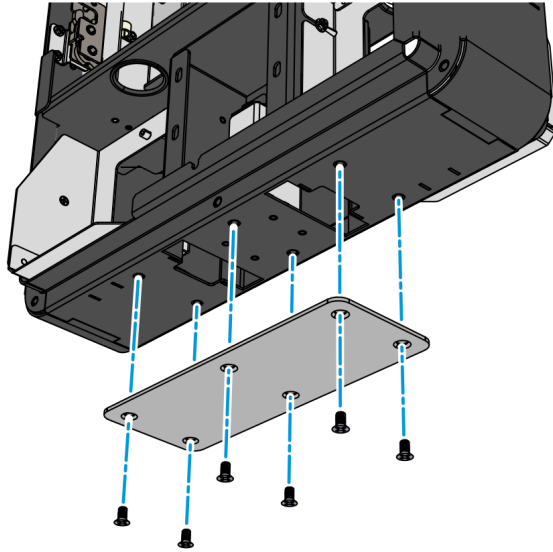
The wall must be prepared, mounting holes drilled, and anchors installed before installation of the kiosk. It is the responsibility of the owning institution to provide the nuts and anchors for the kiosk.



Installing the Wall Mount kit on a concrete wall involves the following procedures:

1. Install the Wall Bracket to the wall. For procedures, refer to [Installing the Wall Bracket - Concrete](#) on the facing page.
2. Install the Main Frame. For procedures, refer to [Installing the Main Frame](#) on page 6.

3. Position the Blanking Cover on the bottom of the Main Frame, and then secure with six screws.



CCP-75978

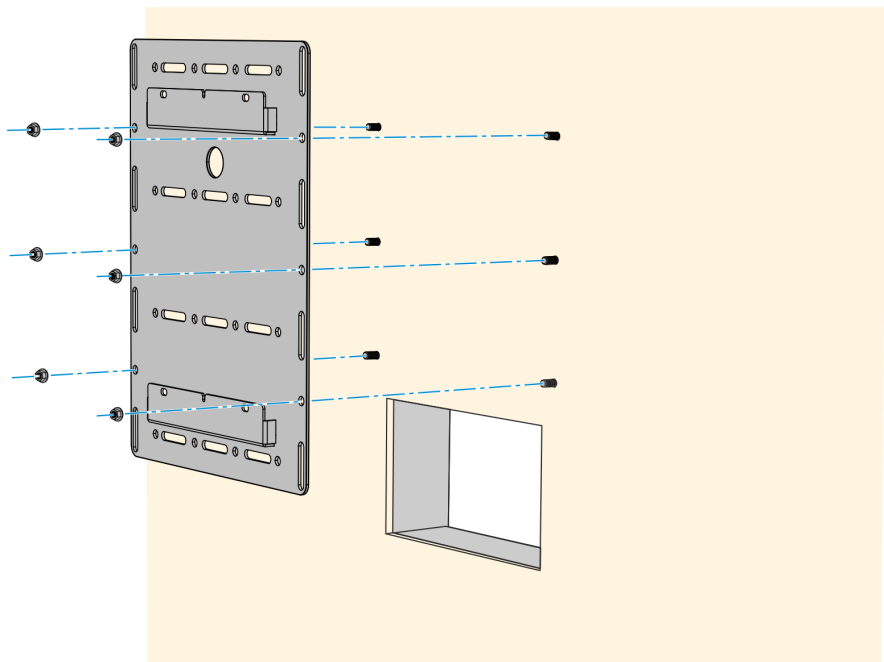


Note: For installation procedures of other kiosk components, refer to *NCR SelfServ™ XK32 (2245) Kiosk Operator Guide (BCC5-0000-5247)*.

Installing the Wall Bracket - Concrete

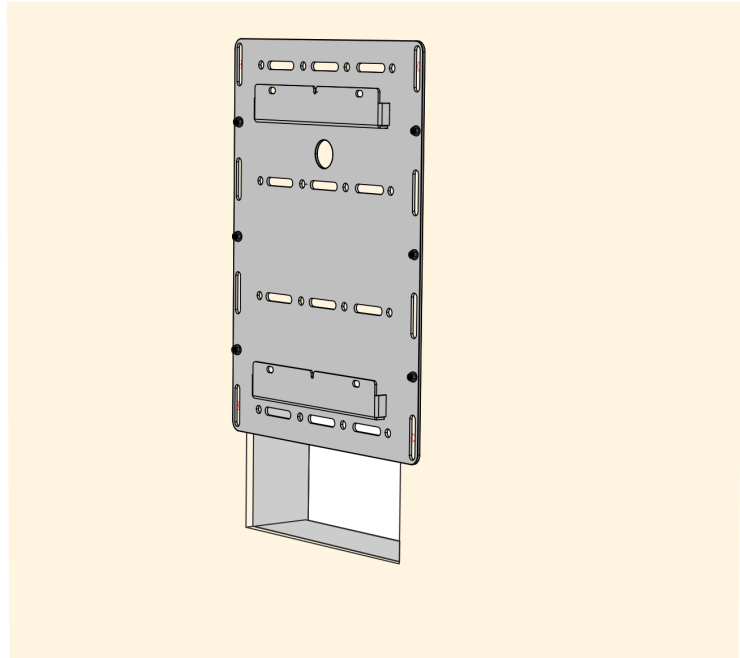
To install the Wall Bracket, perform the following steps:

1. Mount and secure the Wall Bracket Mount to the anchors on the wall using six M10 nuts.



CCP-73700

2. Tighten the nuts and make sure that the Wall Bracket is firmly secured to the wall.



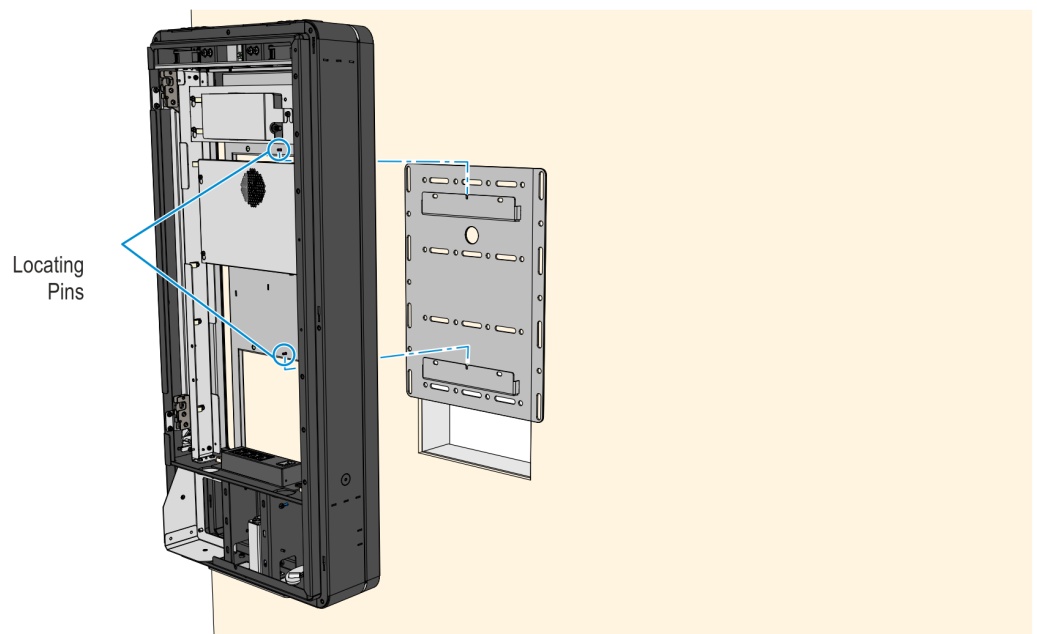
CCP-73701

Installing the Main Frame



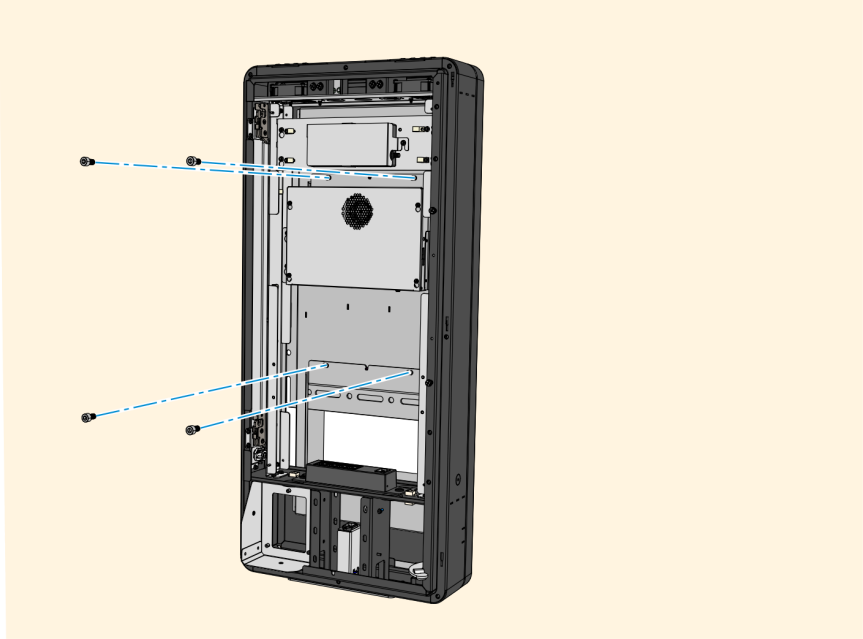
Caution: Due to its weight, installation of the Main Frame requires at least two persons.

1. Mount the Main Frame assembly to the Wall Bracket by hooking the rear panel of the Main Frame to the wall bracket and aligning the locating pins on the frame panel to the locating slots on the bracket.



CCP-73373

2. Secure the Main Frame to the Wall Bracket using four M8 screws.

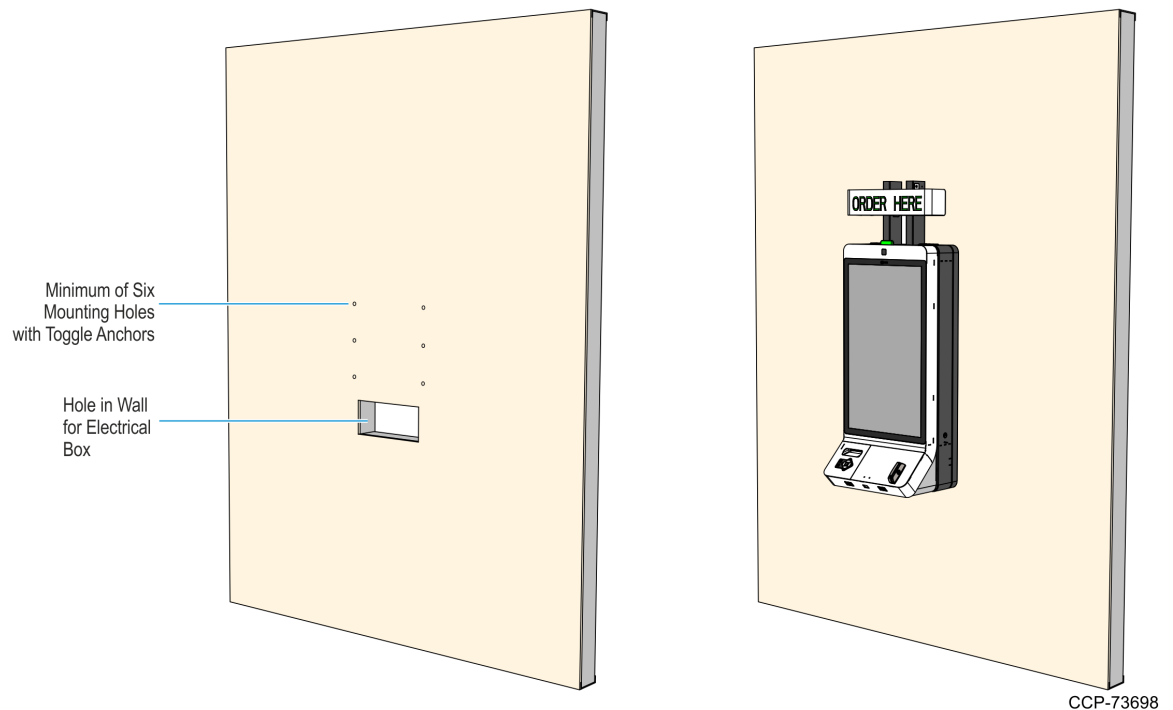


CCP-73374

Dry Wall with Metal C-Stud Frame Installation

For a dry wall with metal C-studs frame, NCR recommends to use a minimum of six toggle anchors and bolts to secure the kiosk to the wall.

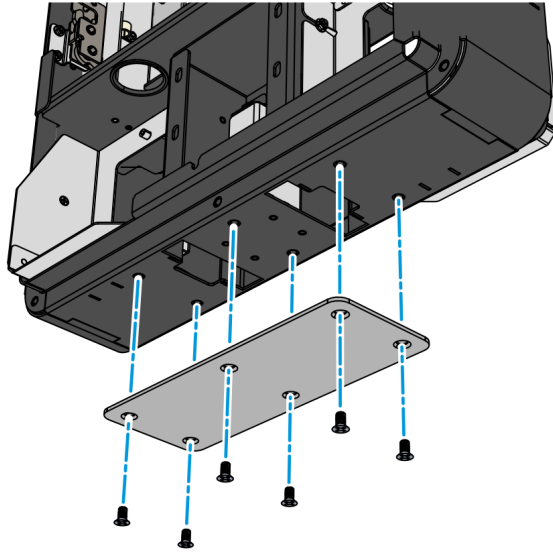
The wall must be prepared, mounting holes drilled, and anchors installed before final siting of the kiosk. It is the responsibility of the owning institution to provide the bolts and anchors for the kiosk.



Installing the Wall Mount kit on a dry wall involves the following procedures:

1. Install the Wall Bracket to the wall. For procedures, [Installing the Wall Bracket - Dry Wall](#) on page 10.
2. Install the Main Frame. For procedures, refer to [Installing the Main Frame](#) on page 12.

3. Position the Blanking Cover on the bottom of the Main Frame, and then secure with six screws.



CCP-75978

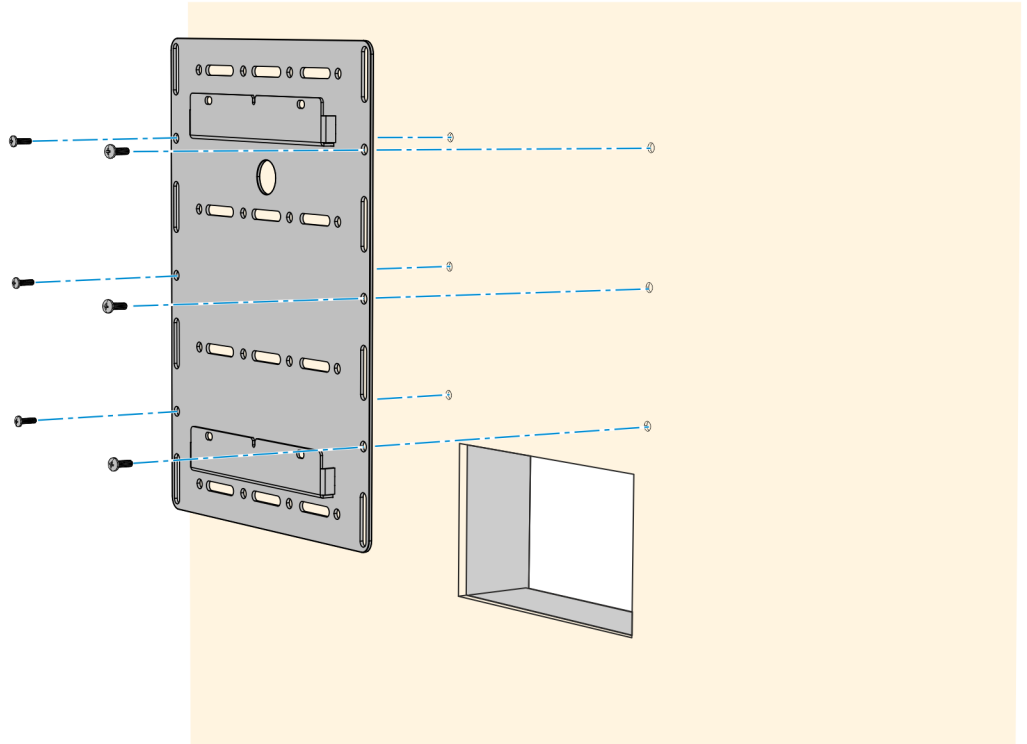


Note: For installation procedures of other kiosk components, refer to *NCR SelfServ™ XK32 (2245) Kiosk Operator Guide (BCC5-0000-5247)*.

Installing the Wall Bracket - Dry Wall

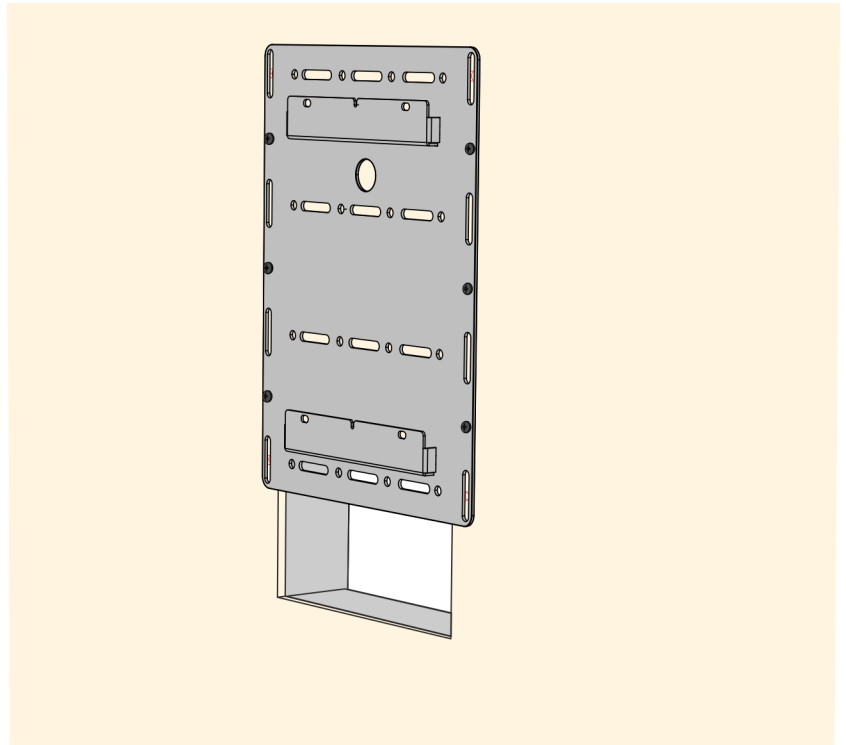
To install the Wall Bracket, perform the following steps:

1. Mount and secure the Wall Bracket Mount to the wall using six M10 bolts



CCP-73371

2. Tighten the bolts and make sure that the Wall Bracket is firmly secured to the wall.



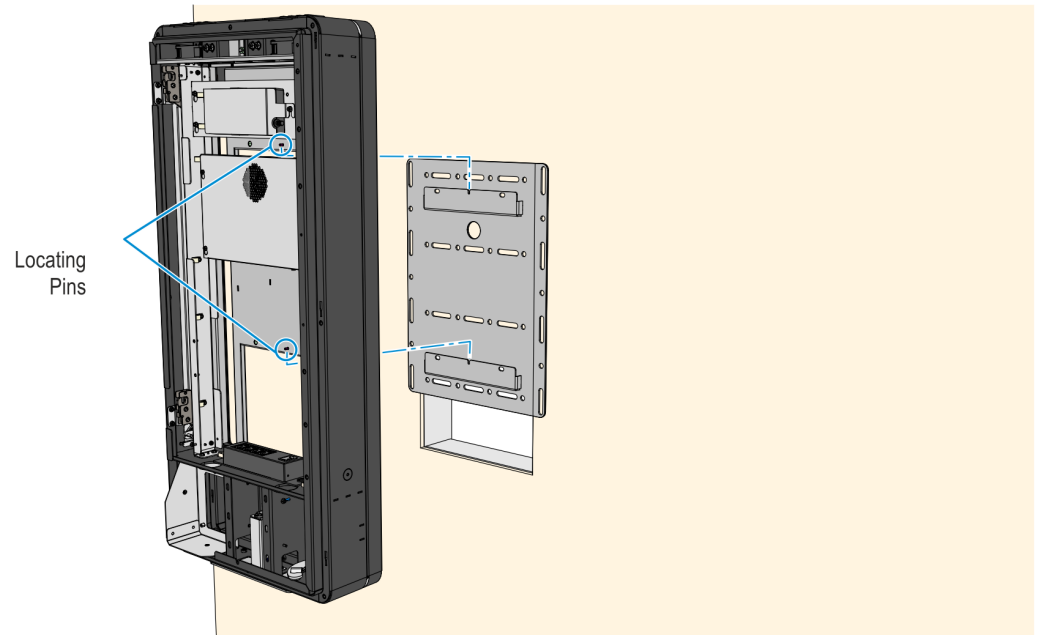
CCP-73372

Installing the Main Frame



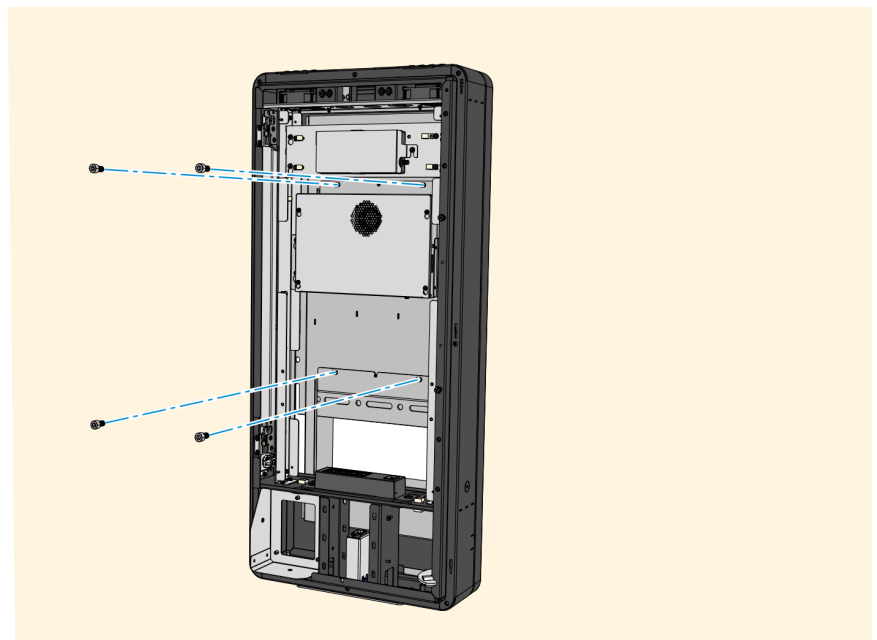
Caution: Due to its weight, installation of the Main Cabinet requires at least two persons.

1. Mount the Main Frame assembly to the Wall Bracket by hooking the rear panel of the Main Frame to the wall bracket and aligning the locating pins on the frame panel to the locating slots on the bracket.



CCP-73373

2. Secure the Main Frame to the Wall Bracket using four M8 screws.



CCP-73374