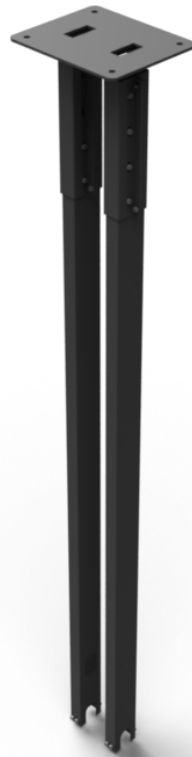


Kit Instructions

2247 Ceiling Mount Kit



2247-K040
Issue A



The product described in this document is a licensed product of NCR Corporation.

NCR is a registered trademark of NCR Corporation. NCR SelfServ™ is a trademark of NCR Corporation in the United States and/or other countries. Other product names mentioned in this publication may be trademarks or registered trademarks of their respective companies and are hereby acknowledged.

The terms HDMI and HDMI High-Definition Multimedia Interface, and the HDMI Logo are trademarks or registered trademarks of HDMI Licensing LLC in the United States and other countries.

Where creation of derivative works, modifications or copies of this NCR copyrighted documentation is permitted under the terms and conditions of an agreement you have with NCR, NCR's copyright notice must be included.

It is the policy of NCR Corporation (NCR) to improve products as new technology, components, software, and firmware become available. NCR, therefore, reserves the right to change specifications without prior notice.

All features, functions, and operations described herein may not be marketed by NCR in all parts of the world. In some instances, photographs are of equipment prototypes. Software screen images are representative, and in some cases, may not match a customer's installed software exactly. Therefore, before using this document, consult with your NCR representative or NCR office for information that is applicable and current.

To maintain the quality of our publications, we need your comments on the accuracy, clarity, organization, and value of this book. Please use the link below to send your comments.

Email: FD230036@ncr.com

Copyright © 2019
By NCR Corporation
864 Spring St. NW
Atlanta, GA 30308
United States
All Rights Reserved

Revision Record

Issue	Date	Remarks
A	Apr 2019	First Issue

Ceiling Mount Only

This publication provides procedures for installing the Ceiling Mount Kit to NCR SelfServ™ XK32 (2247).

! Important: Install the Floor Mount Kit before installing the Ceiling Mount Kit. For more information on the Floor Mount Kit, refer to *2247 Floor Mount Kit (2247-K042)*.

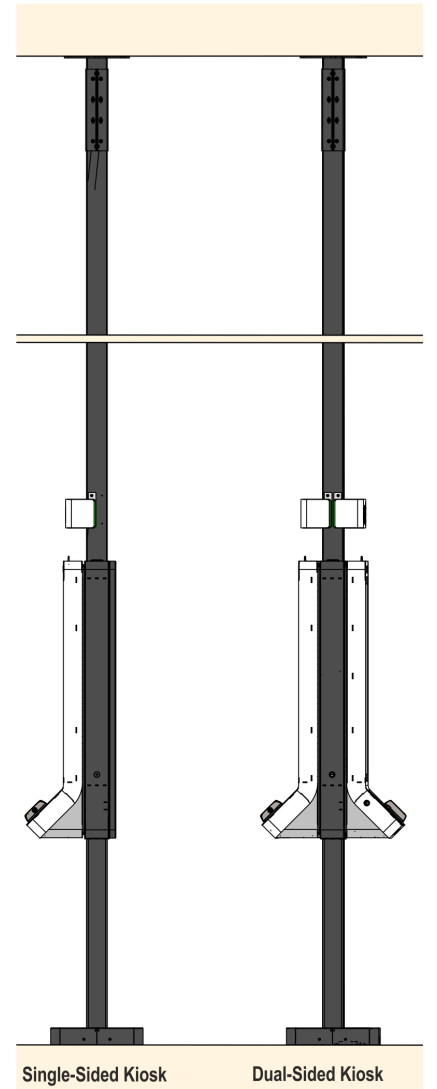
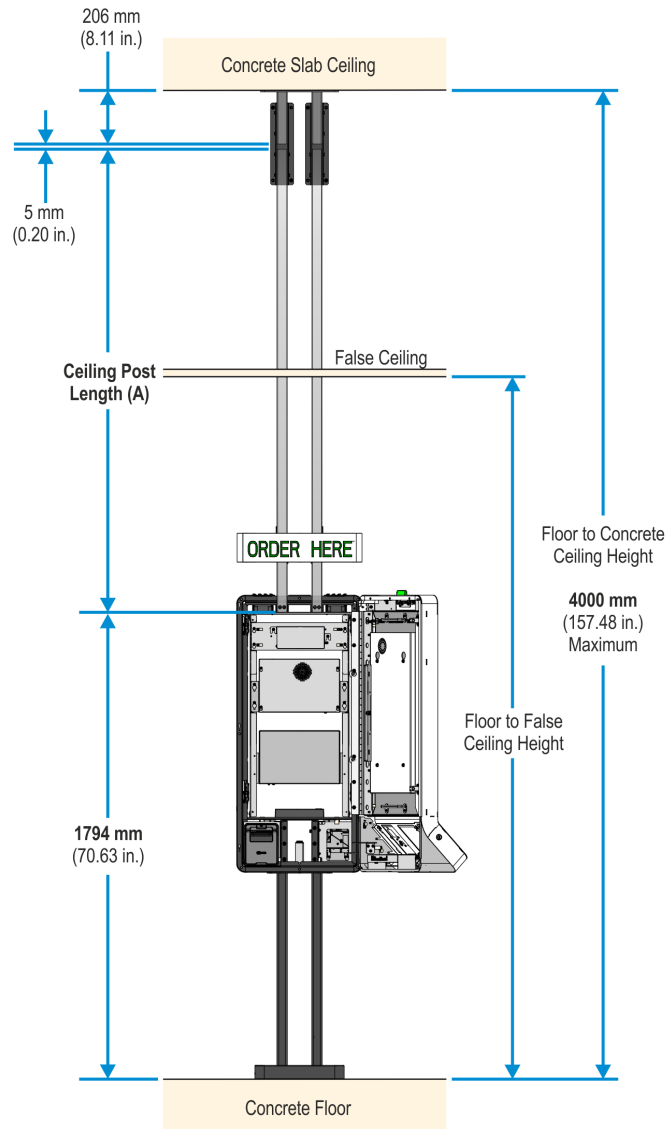
Floor to ceiling installation requires the kiosk to be bolted to the floor using four anchors and to the concrete slab ceiling using four anchors. It is the responsibility of the owning institution to provide the anchors to secure the kiosk.

If a False Ceiling is present, an access hole needs to be cut out on the False Ceiling to pass the Ceiling Posts towards the concrete slab.

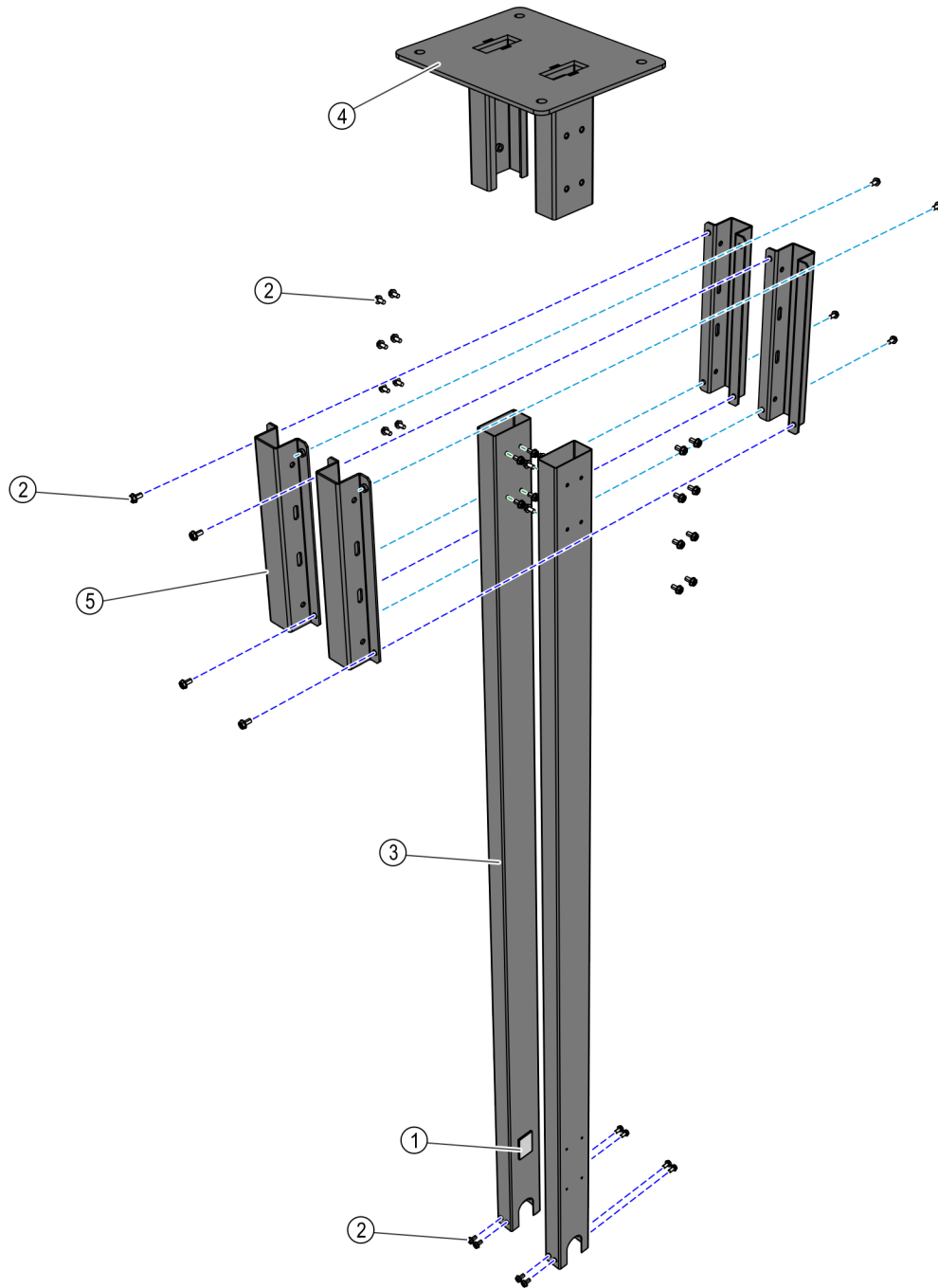
The Ceiling Posts need to be cut to length as appropriate for the Floor to Concrete Ceiling height of the installation site.

Maximum installation height is **4000 mm** (157.48 in.).

For more details on Site Requirements and Site Preparation, refer to the "Floor to Ceiling Mounting Details" section of the *NCR SelfServ XK32 (2245) Site Preparation (BCC5-0000-5245)*.



Kit Contents

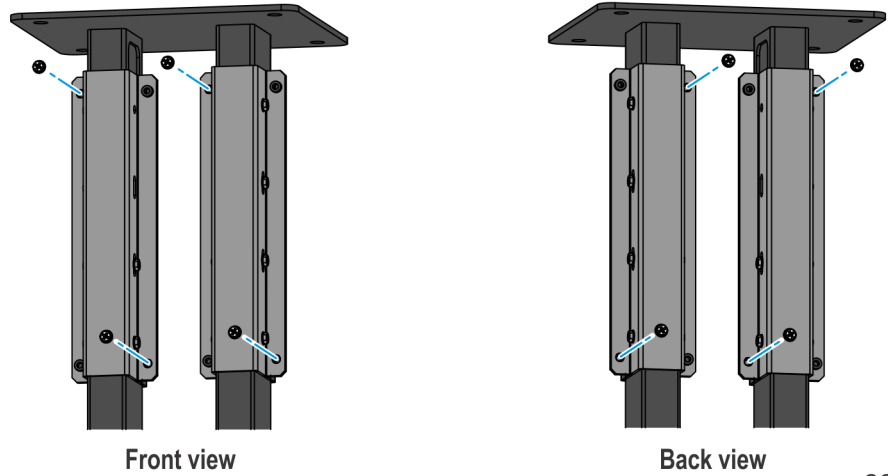


Item	Part Number	Qty	Description
497-0525206			2247-K040 Ceiling Mount Only Kit
1	006-8624305	2	Rectangle Blanking Plug (42 x 24 mm)
2	009-0006599	40	Screw M6 X 12 M/C Combi Pozi
3	497-0518396	2	Ceiling Post Metal Bracket, 2245
4	497-0519612	1	Pole Ceiling Bracket, 2245
5	497-0519613	4	Pole Bracket Connector, 2245

Installations Procedures

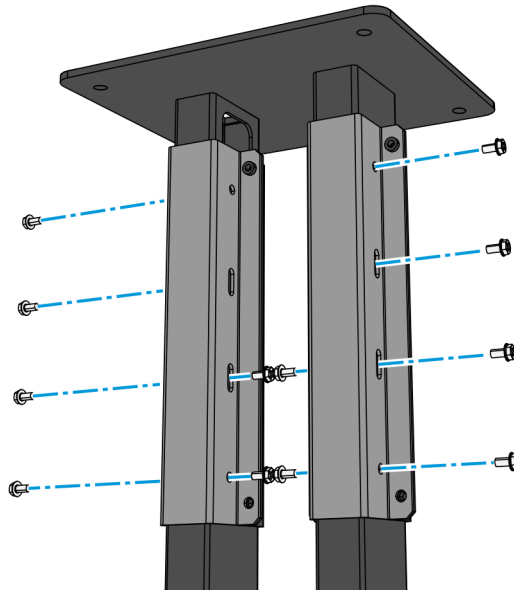
Installing the Ceiling Mount kit involves the following procedures:

1. Remove the Ceiling Connector brackets to disassemble the poles.
 - a. Remove the screws that secure the front and rear Ceiling Connector brackets together (four screws for each pair).



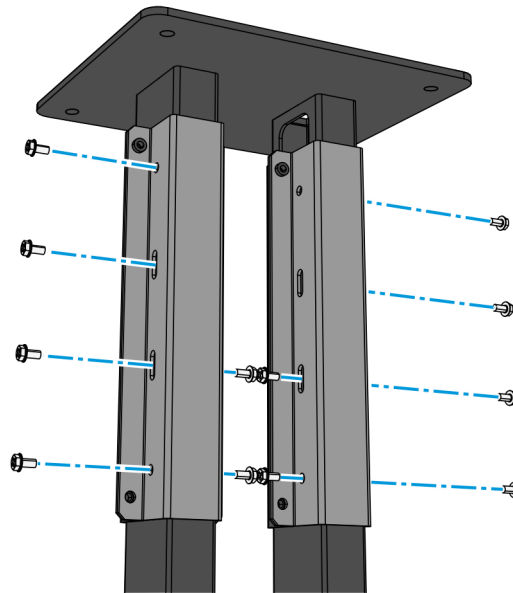
CCP-75981

- b. Remove the screws that secure the front Ceiling Connector brackets (six M6 screws on each connector bracket).



CCP-75979

- c. Remove the screws that secure the rear Ceiling Connector brackets (six M6 screws on each connector bracket).



CCP-75980

2. Cut the Ceiling Posts to an appropriate height. For procedures, refer to [Cutting the Ceiling Posts](#) on the facing page.
3. Mark and drill ceiling holes. For procedures, refer to [Marking and Drilling Ceiling Mounting Holes](#) on page 12.
4. Install the Ceiling Mounts. For procedures, refer to [Installing the Ceiling Mount](#) on page 19.



Note: For installation procedures of other kiosk components, refer to *NCR SelfServ™ XK32 (2245) Kiosk Operator Guide (BCC5-0000-5247)*.

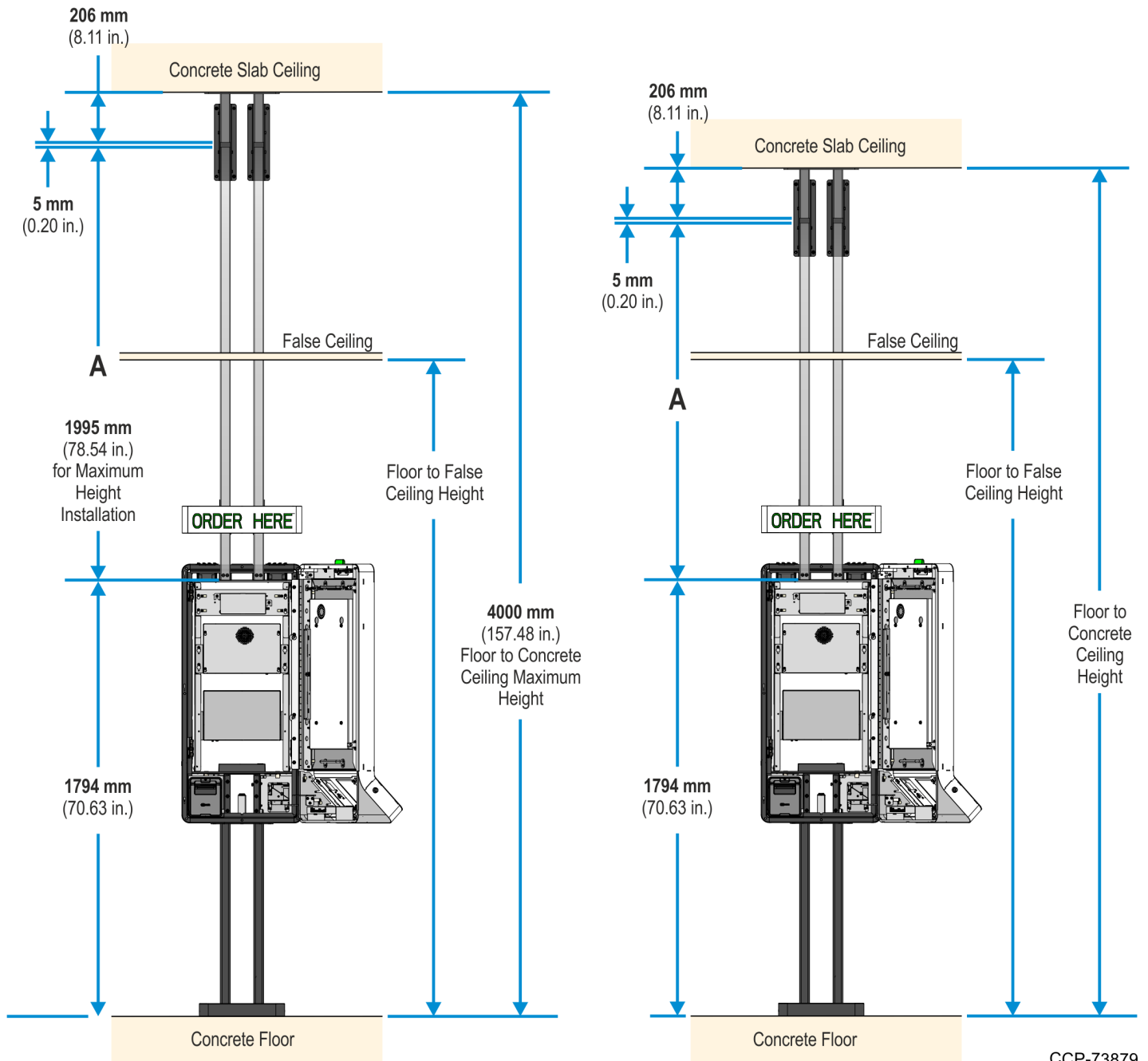
Cutting the Ceiling Posts

The Ceiling Posts have an initial length of **2000 mm (78.74 in.)**. This length needs to be cut to length A as appropriate for the Floor to Concrete Ceiling height of the installation site. Refer to one of the following sections as appropriate for your height installation requirement:

- [Ceiling Posts for Maximum Height Installation](#) on the next page
- [Ceiling Posts for Lowered Height Installation](#) on page 10

Maximum Height Installation

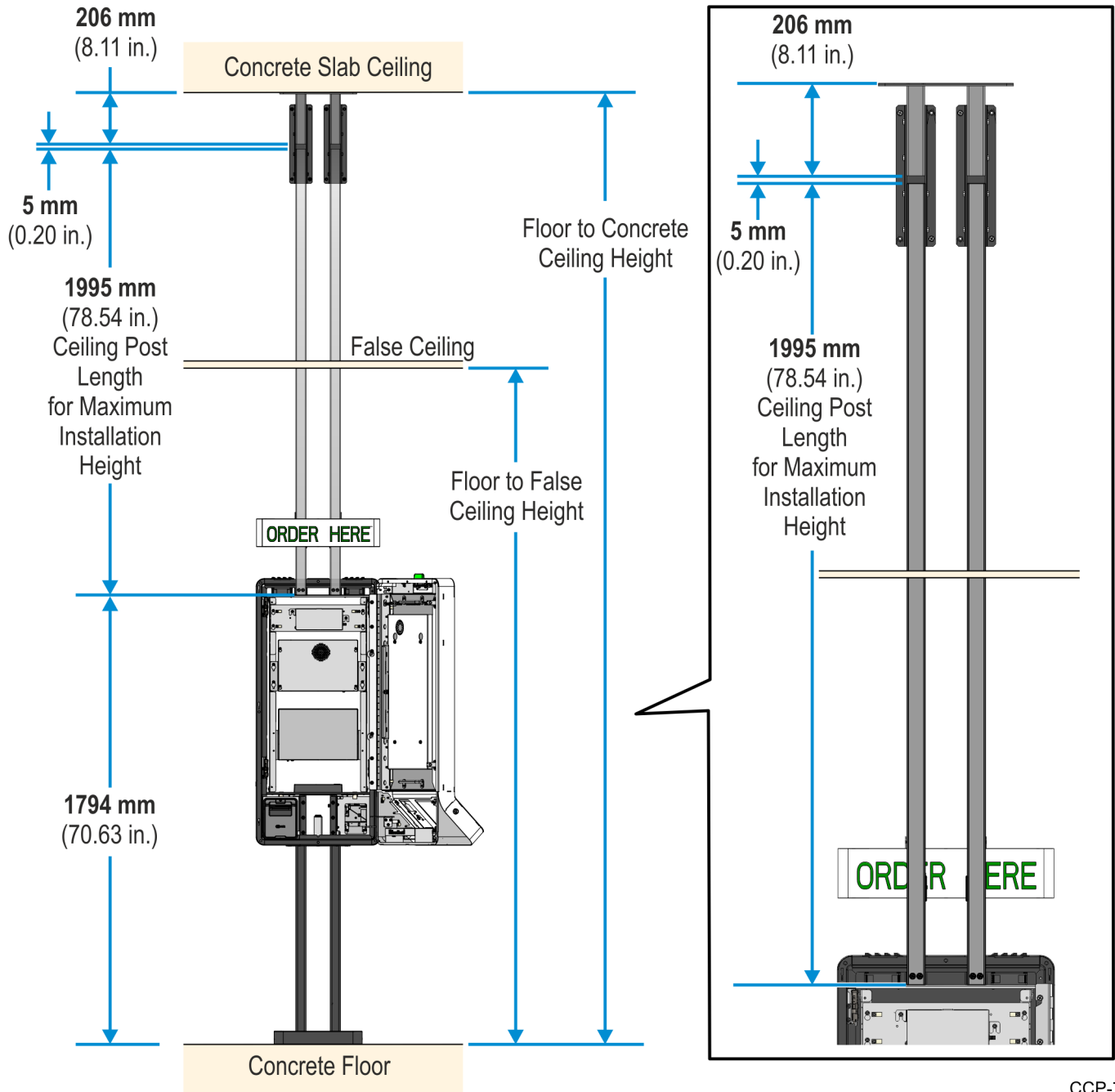
Lowered Height Installation



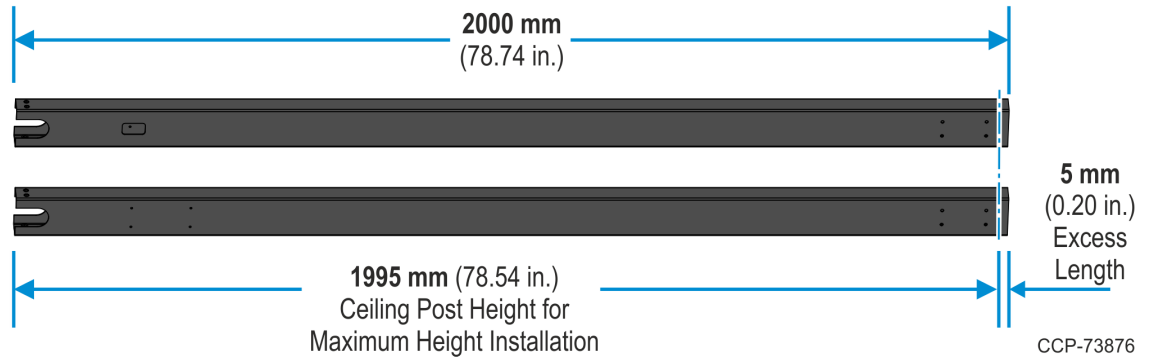
Ceiling Posts for Maximum Height Installation

This section provides the appropriate Ceiling Posts length for Maximum Height installation, **4000 mm (157.48 in.)**. For installation heights less than the maximum, see [Ceiling Posts for Lowered Height Installation](#) on page 10.

For a Maximum Height Installation, the Ceiling Posts should have a length of **1995 mm (78.54 in.)** as shown in the illustration below.



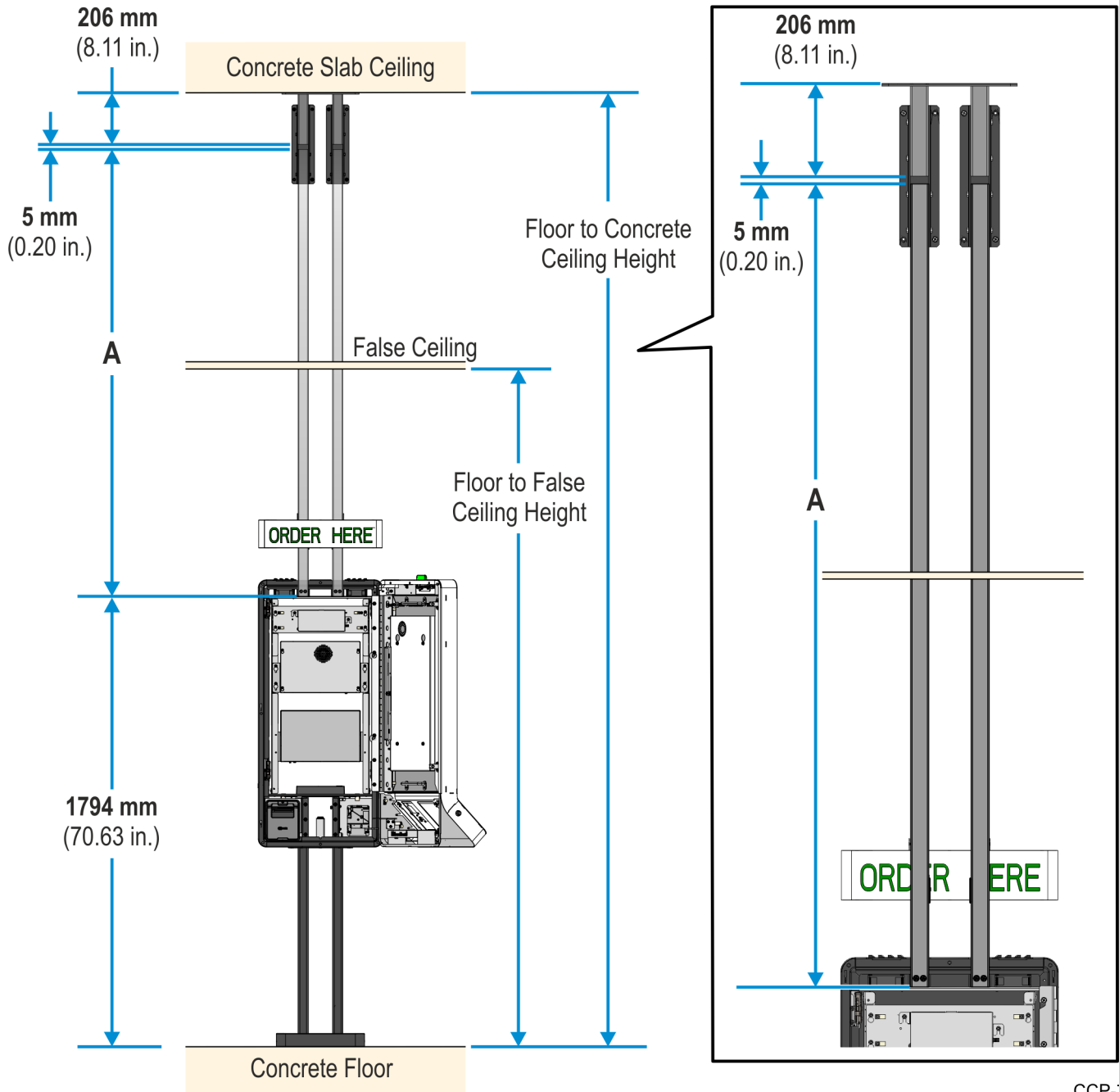
Cut off **5 mm** (0.20 in.) from the straight edge of the Ceiling Posts and then apply rust protection paint on the edges where the cut was made.



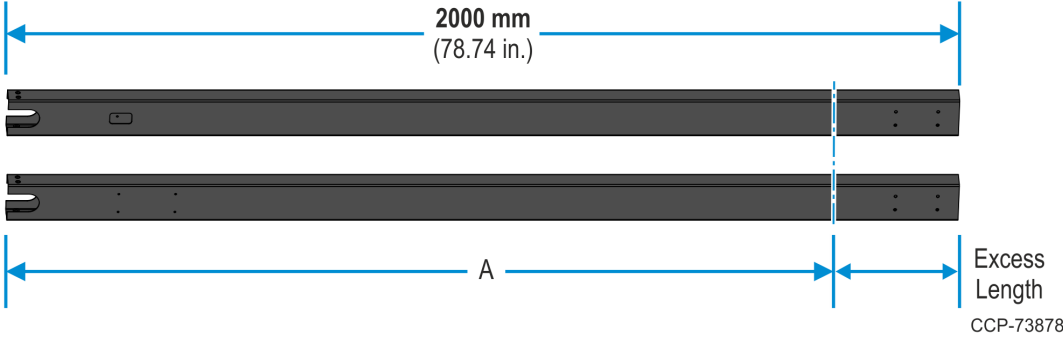
Ceiling Posts for Lowered Height Installation

This section determines the appropriate Ceiling Posts length for Lowered Height installations. For maximum installation height, see [Ceiling Posts for Maximum Height Installation](#) on page 8.

1. Determine the Ceiling Post length (A) as appropriate for the installation site.



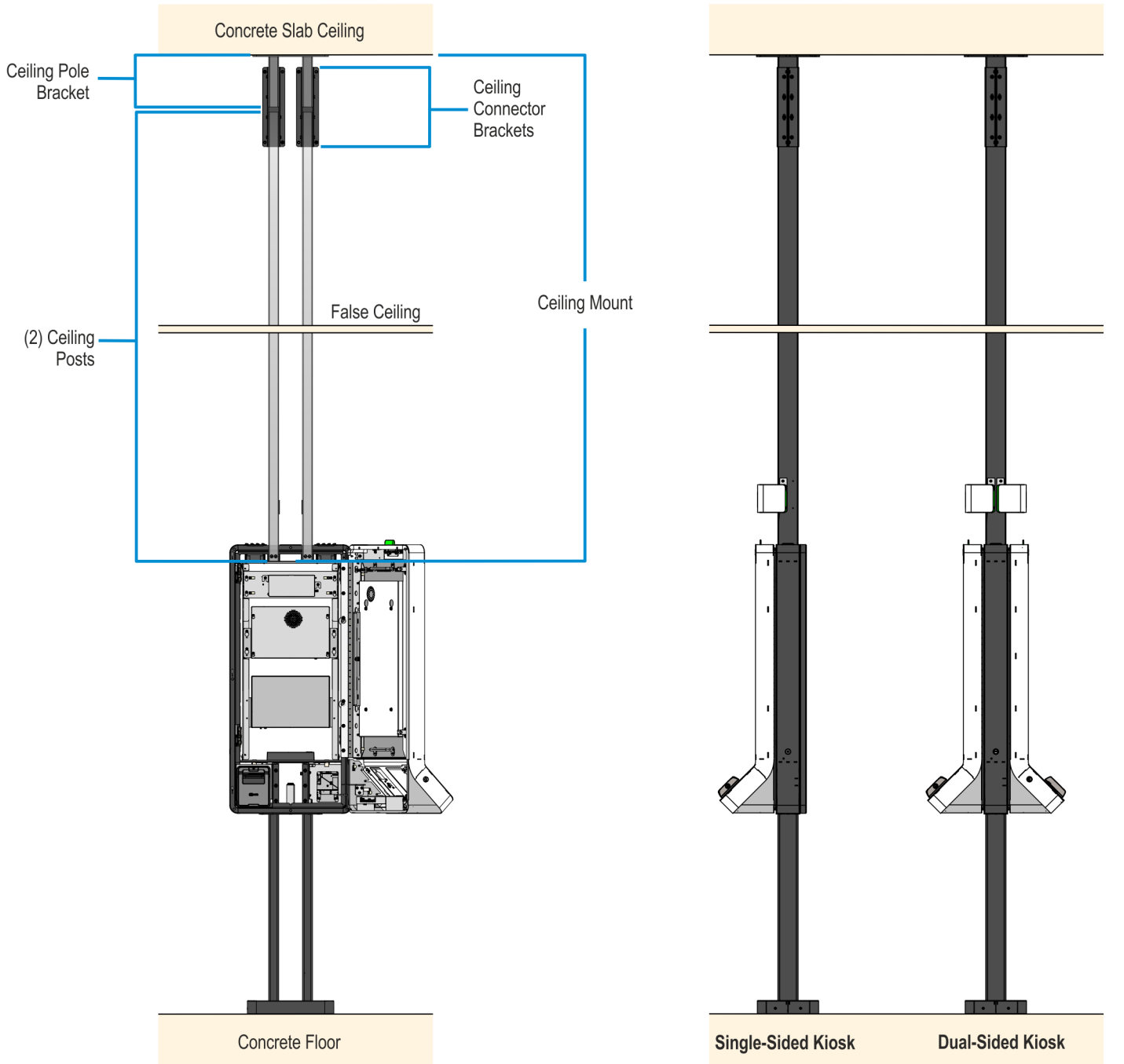
- 2. Cut off the excess length of the Ceiling Post and apply rust protection paint on the edges where the cut was made.



Marking and Drilling Ceiling Mounting Holes

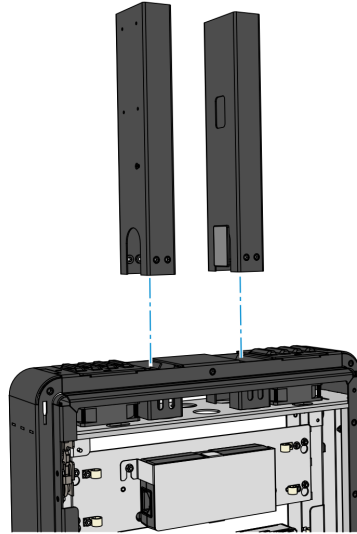
Marking mounting holes for the Ceiling Mount assembly requires at least two persons and the use of a step ladder or a work platform.

Make sure that the Ceiling Posts are cut to the appropriate length, see [Cutting the Ceiling Posts](#) on page 7 for more information.



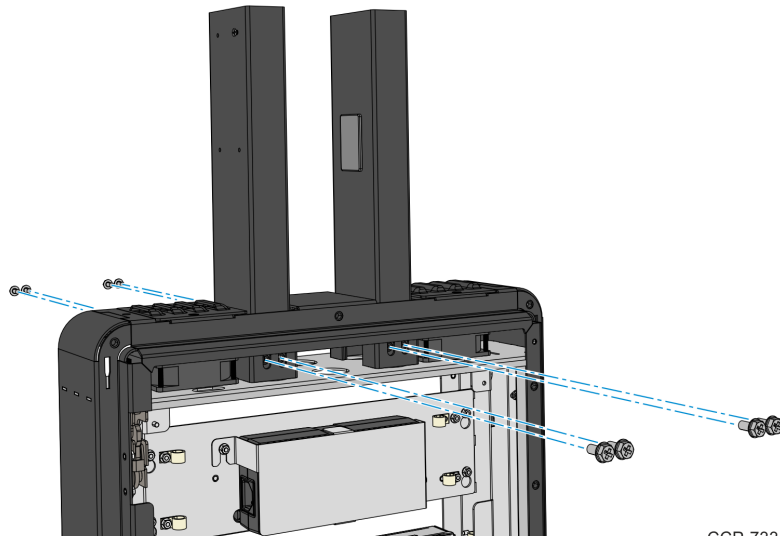
To mark and drill mounting holes for the Ceiling Mount, perform the following steps:

1. Install the Ceiling Posts to the kiosk.
 - a. Insert the Ceiling Posts into the Main Frame.



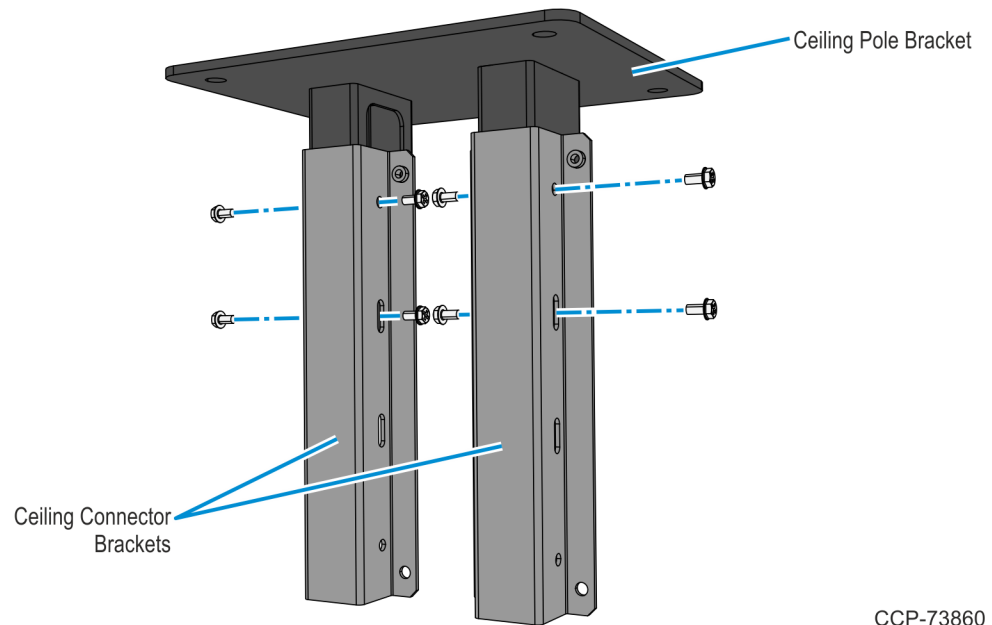
CCP-73345

- b. Secure the Ceiling Posts to the cabinet using four M6 hex head screws for each post.

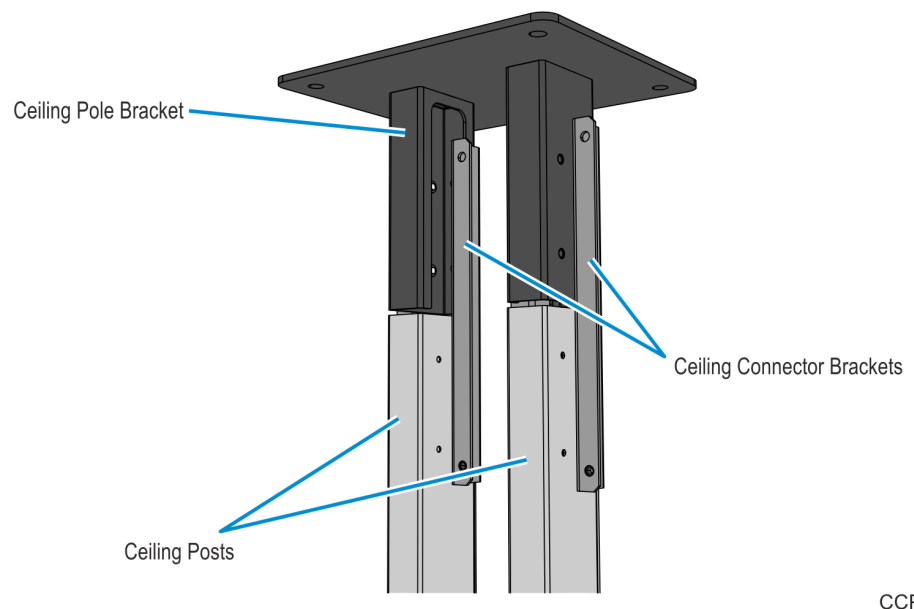


CCP-73346

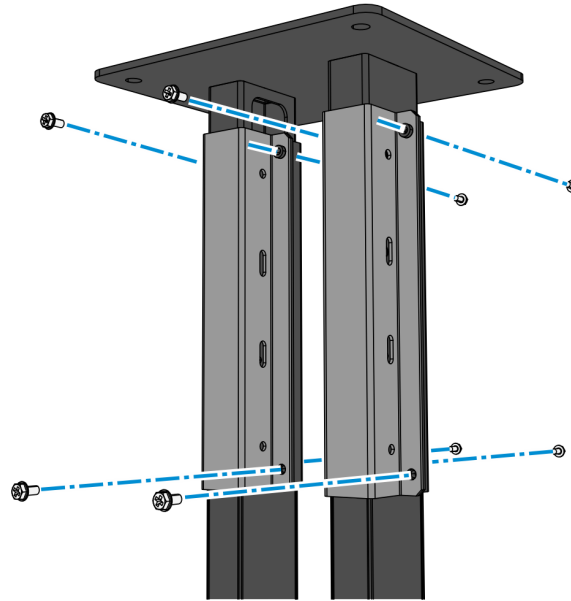
2. Mount and secure one side of the Ceiling Connector brackets to the Ceiling Pole Bracket.



3. Position the Ceiling Pole Bracket assembly at the top of the Ceiling Posts.
 - a. Insert the Ceiling Posts into the Ceiling Connector brackets.

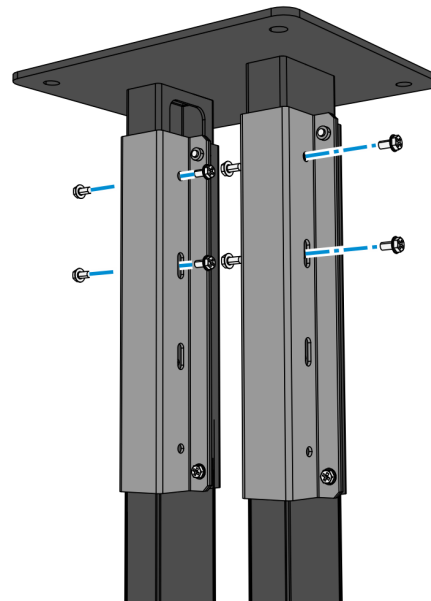


- b. Mount the second side of the Ceiling Connector brackets and secure these using two screws to their opposite connector bracket.



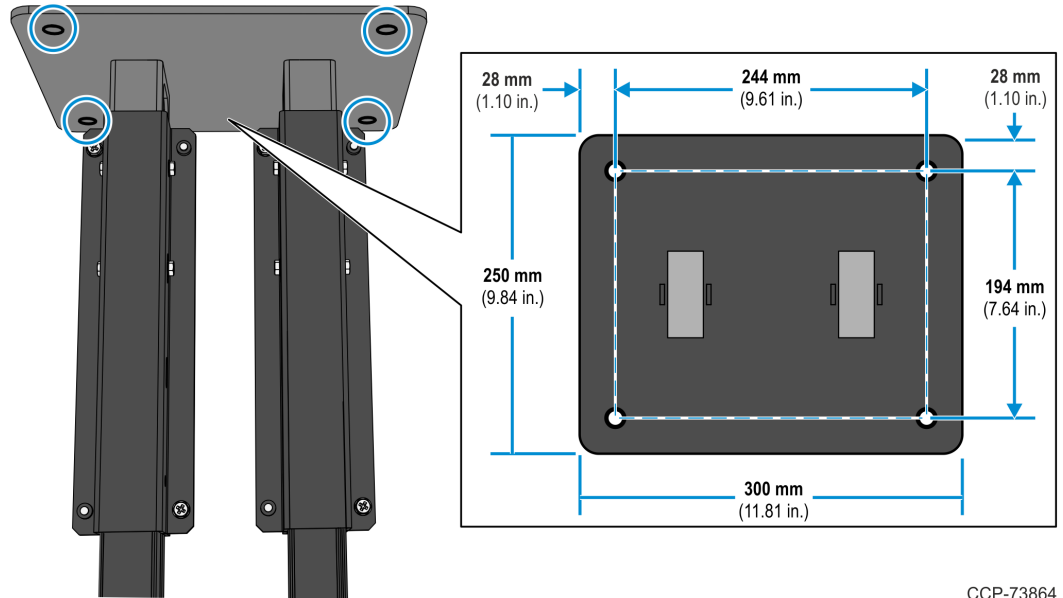
CCP-73862

- c. Secure the second connector bracket sides to the Ceiling Pole Bracket using four screws each.

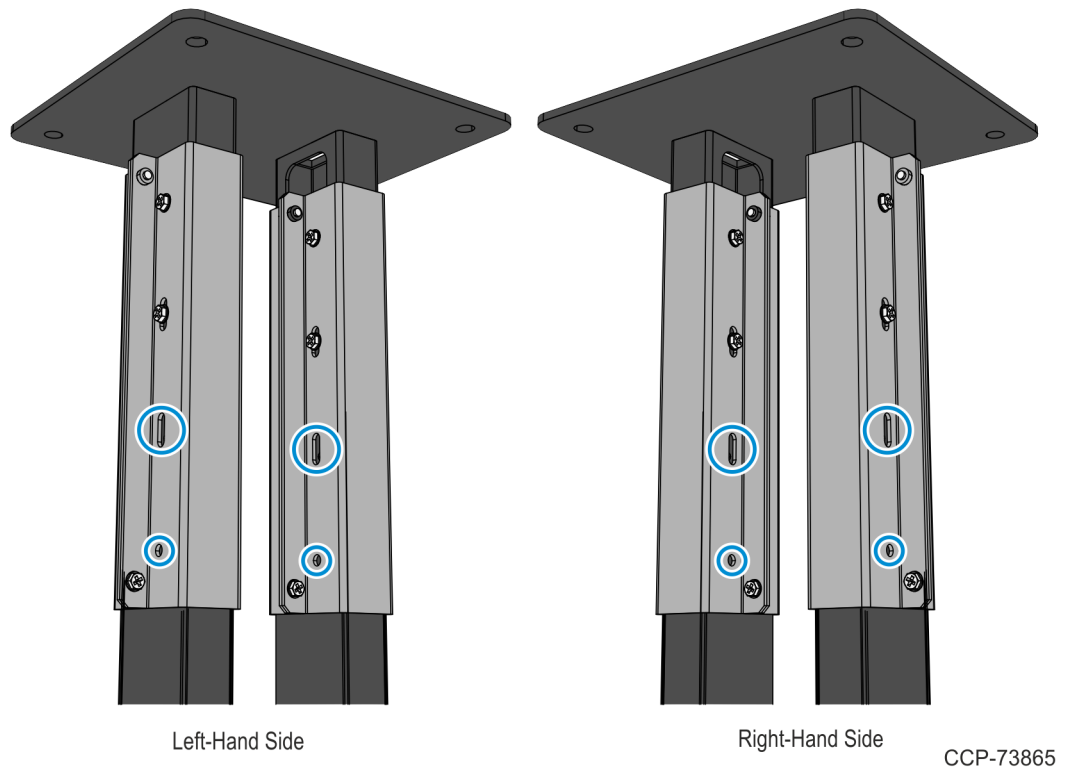


CCP-73863

4. Hold the Ceiling Mount against the Concrete Ceiling slab and then mark the following mounting holes:
 - a. Four mounting holes on the concrete ceiling.



- b. Eight mounting holes on each of the Ceiling Post for the Ceiling Connector Brackets.

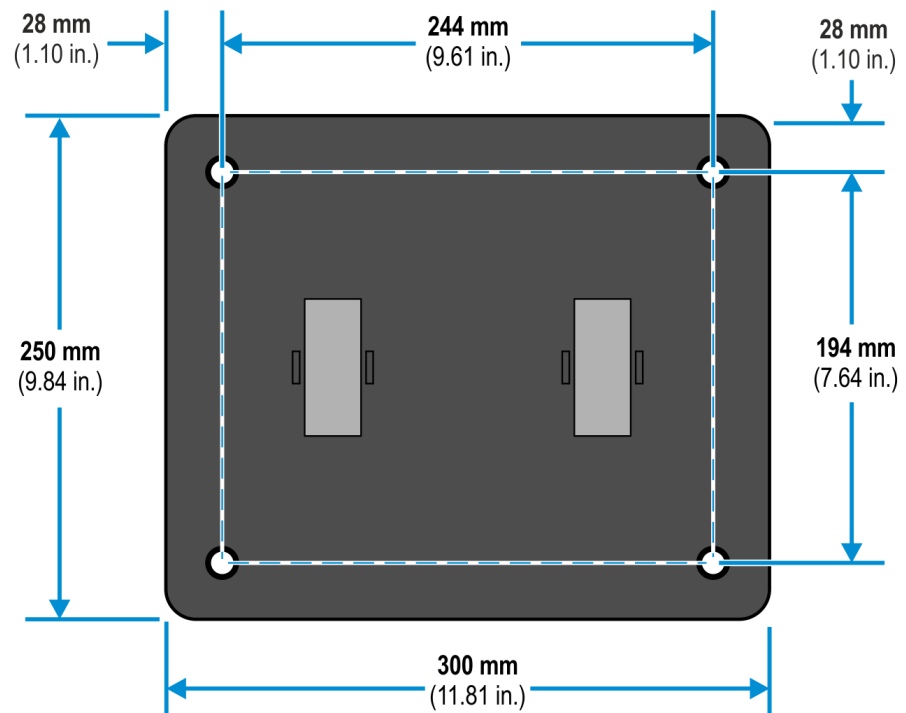


5. Remove the Ceiling Pole Bracket and Ceiling Connector Brackets from the Ceiling Posts.
6. Remove the Ceiling Posts from the Kiosk.
7. Drill the four mounting holes on the ceiling and install the four anchors.
 - a. Cover the kiosk to protect it from dust and debris.
 - b. Drill four **12 mm** (0.5 in.) holes over the marked mounting holes on the ceiling.
 - c. Install four anchors into the drilled mounting holes. Make sure that the tip of the anchors does not exceed **38 mm** (1.50 in.) from the ceiling surface.

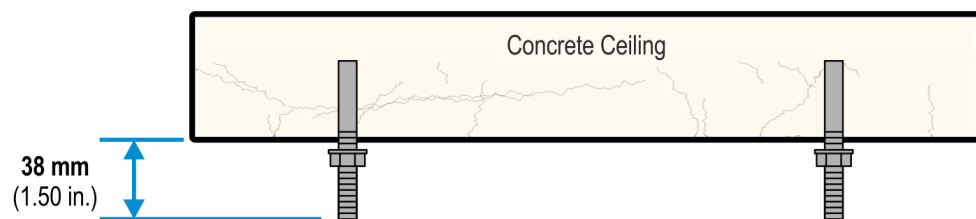
Drill four **12 mm** (0.50 in.) holes on the locations shown in Detail A with minimum depth according to the anchor specifications.

Tip of anchor should not exceed **38 mm** (1.50 in.) as shown in Detail B.

Detail A

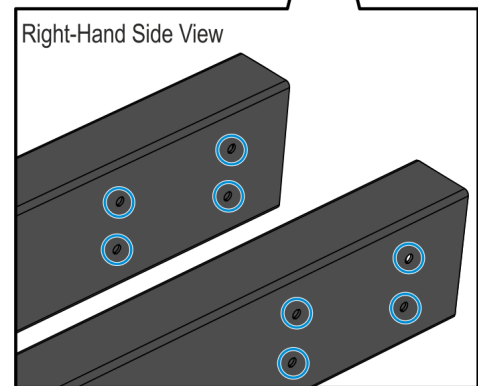
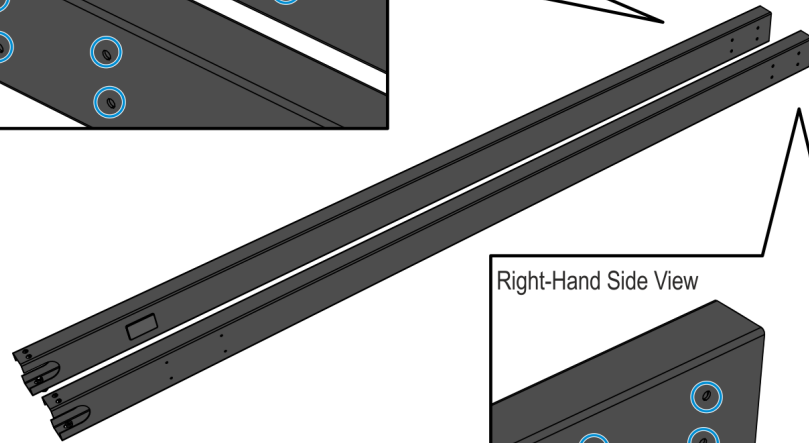
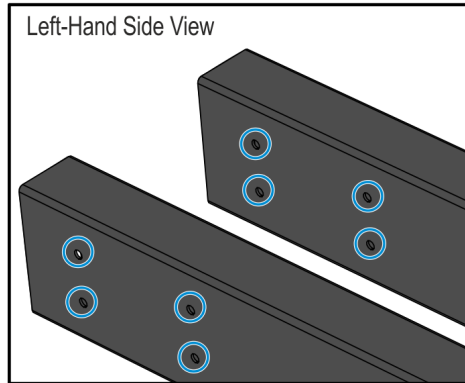


Detail B



- On each Ceiling Post, drill eight **3 mm** (0.12 in.) mounting holes on the marked locations for the Ceiling Connector brackets.

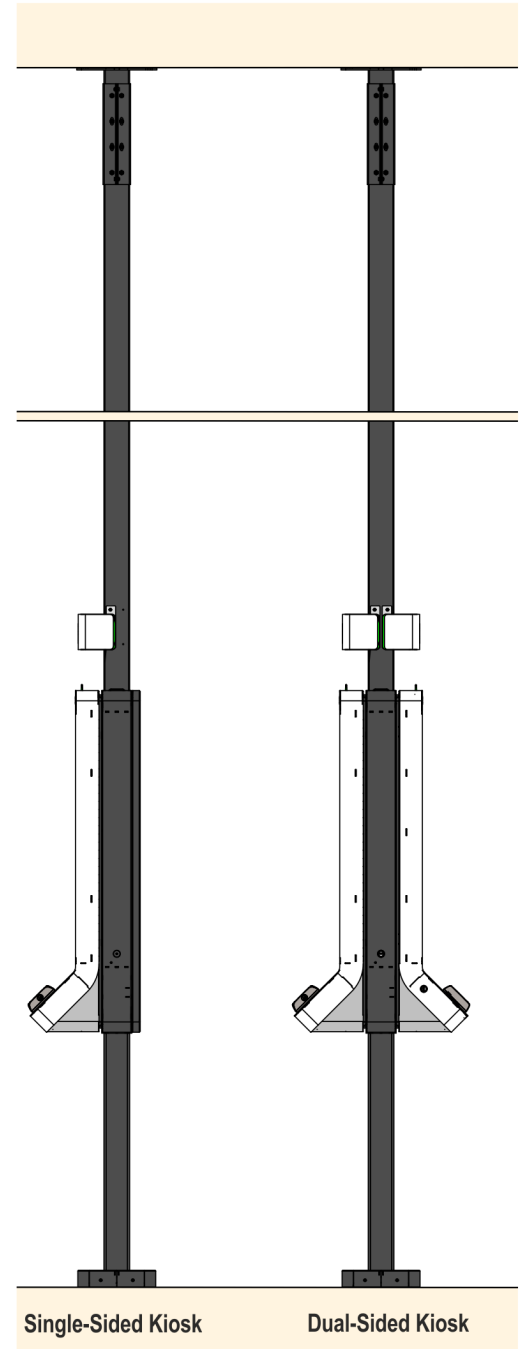
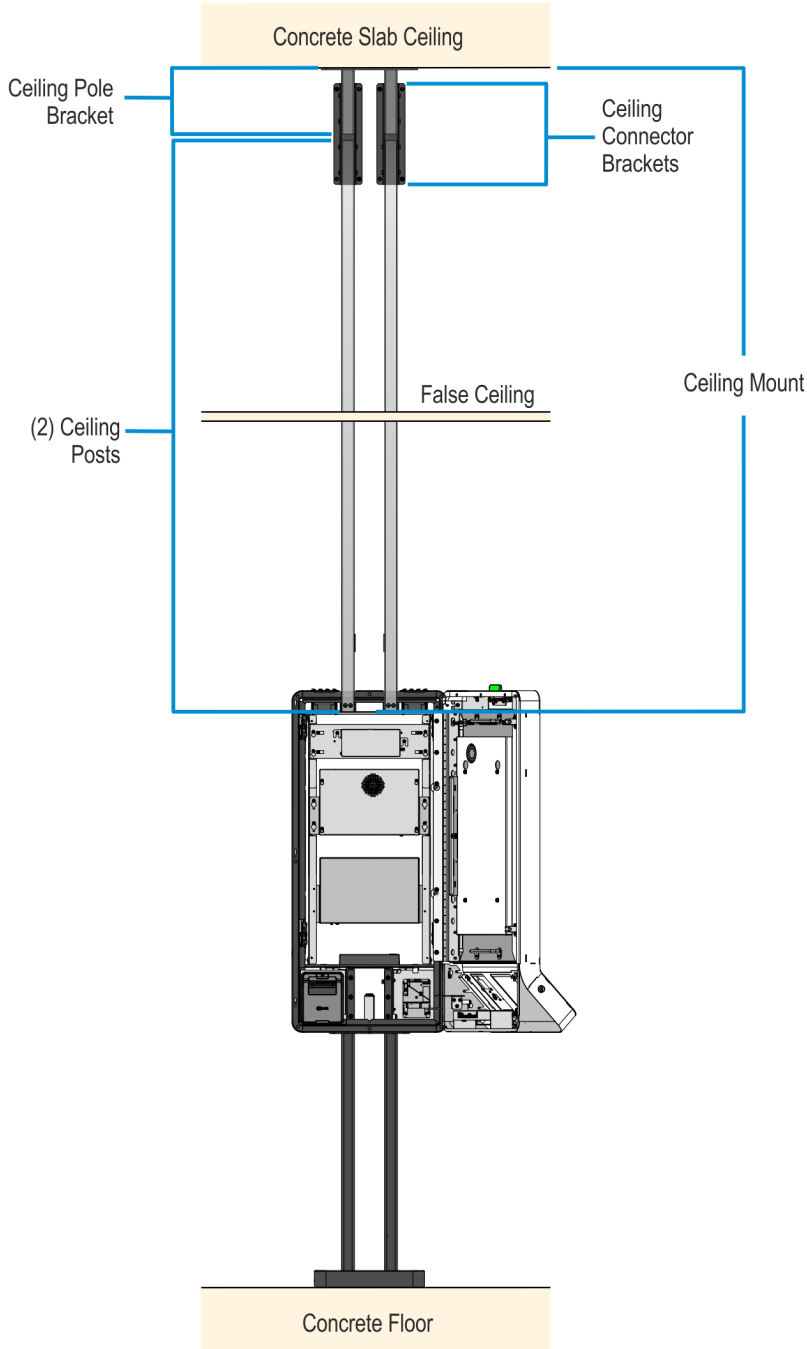
Drill eight **3 mm** (0.12 in.) mounting holes
for the Ceiling Connector brackets



CCP-73868

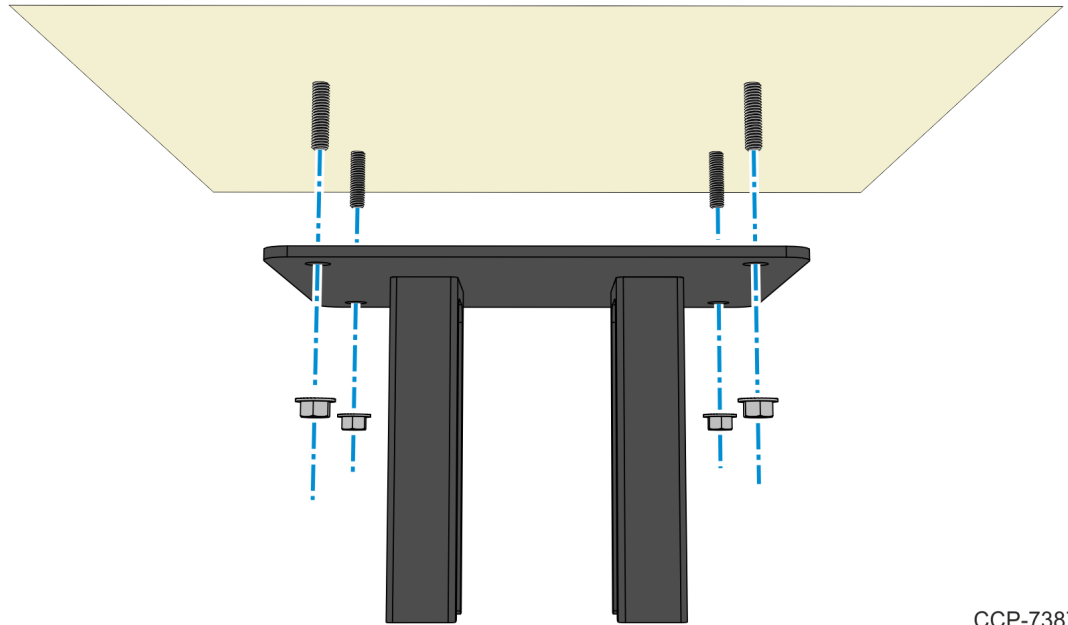
Installing the Ceiling Mount

Installing the Ceiling Mount assembly requires at least two persons and the use of a step ladder or a work platform.



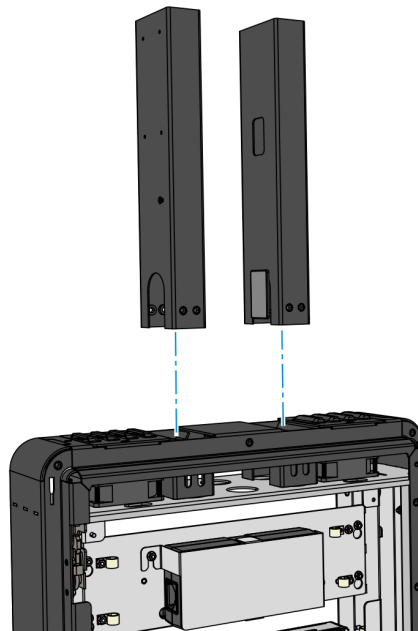
To install the Ceiling Mount, perform the following steps:

1. Mount and secure the Ceiling Pole bracket to the anchor bolts using four M10 nuts.



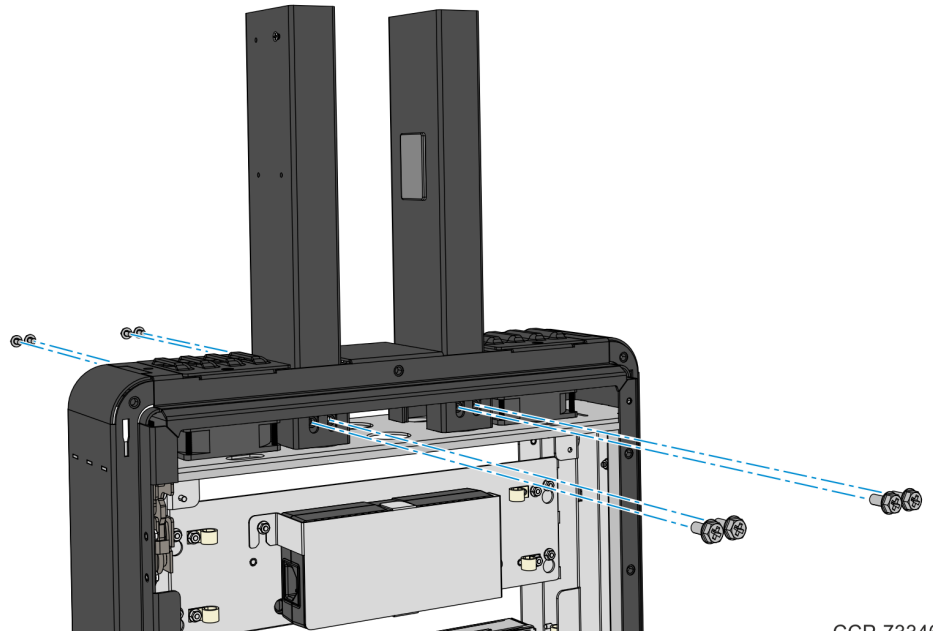
CCP-73871

2. Install the Ceiling Posts to the kiosk.
 - a. Insert the Ceiling Posts into the Main Frame.

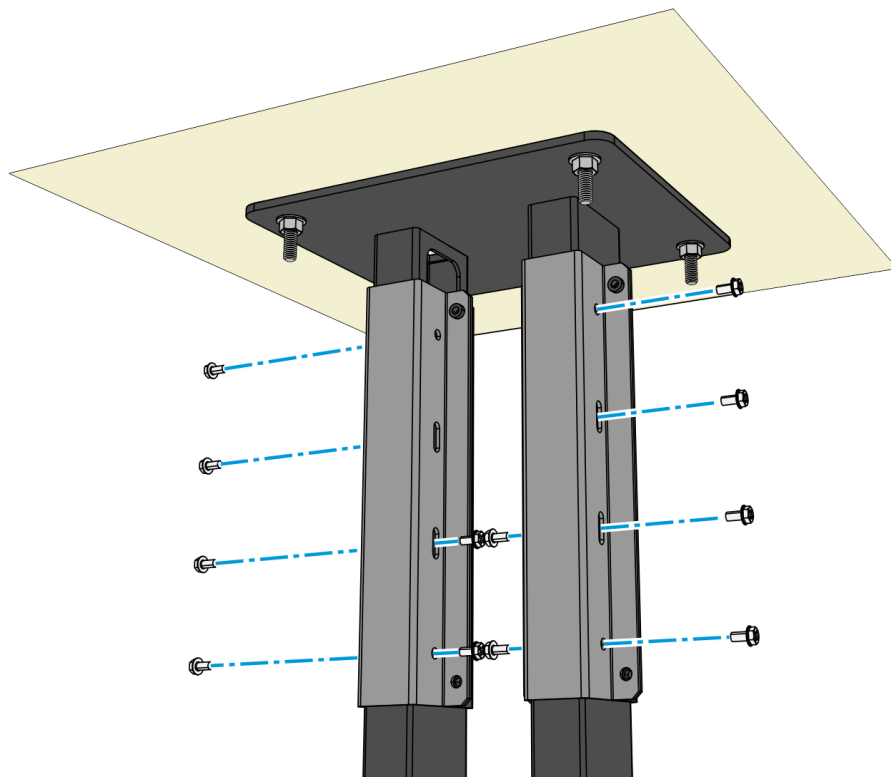


CCP-73345

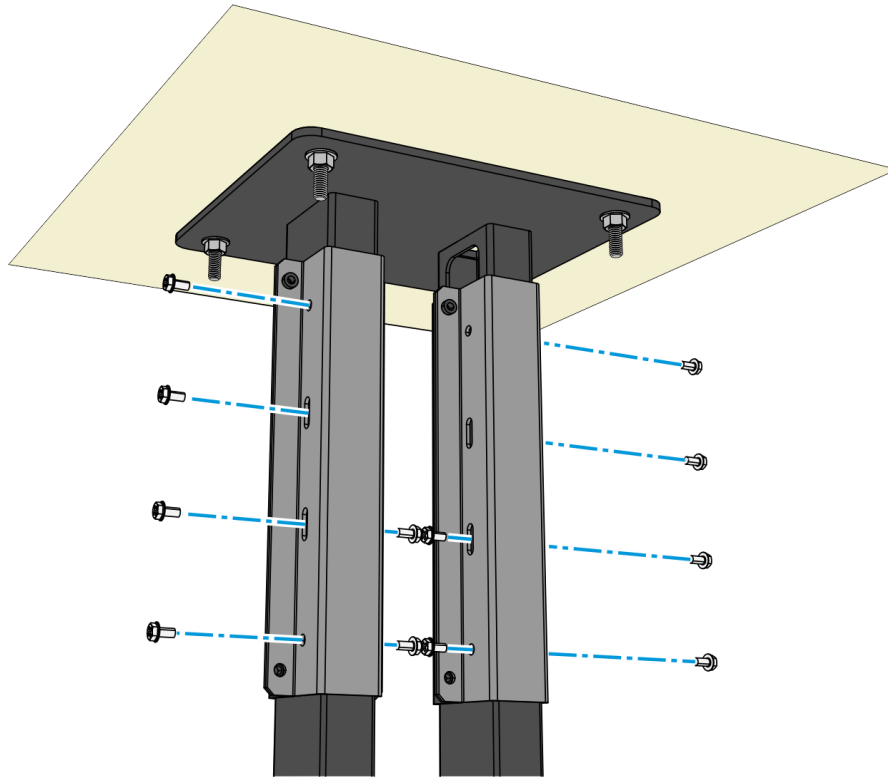
- b. Secure the Ceiling Posts to the Main Frame using four M6 hex head screws for each post.



3. Secure the Ceiling Posts to the Ceiling Pole bracket using the Ceiling Connector brackets.
 - a. Mount and secure the front Ceiling Connector brackets using six M6 screws on each connector bracket.

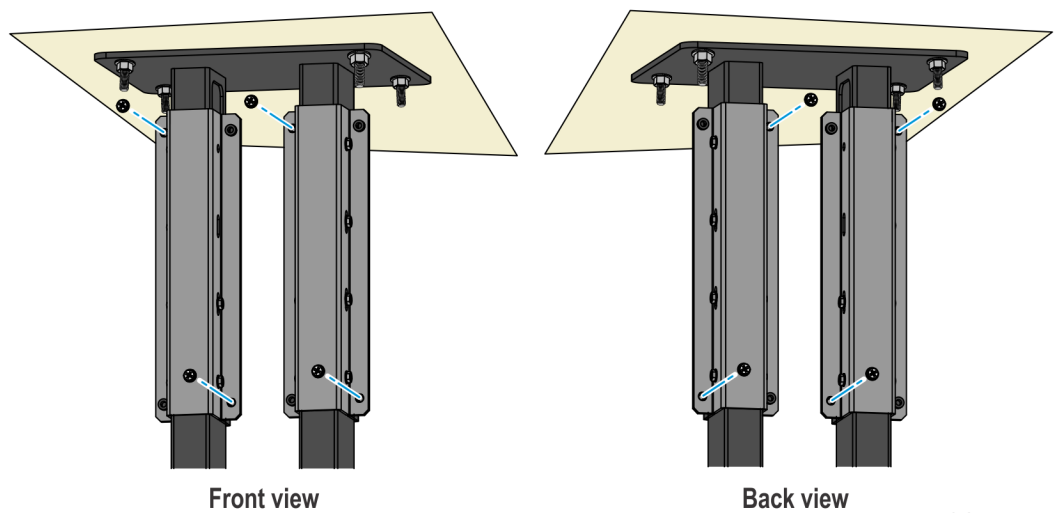


- b. Mount and secure the rear Ceiling Connector brackets using six M6 screws on each connector bracket.



CCP-73873

- c. Secure the front and rear Ceiling Connector brackets together using four screws for each pair.



CCP-75985