

Kit Instructions

Pedestal, ADA Mount (Dark White and Impact Mid Silver)

2246-K900
Issue C



The product described in this document is a licensed product of NCR Corporation.

NCR is a registered trademark of NCR Corporation. NCR SelfServ™ is a trademark of NCR Corporation in the United States and/or other countries. Other product names mentioned in this publication may be trademarks or registered trademarks of their respective companies and are hereby acknowledged.

The terms HDMI and HDMI High-Definition Multimedia Interface, and the HDMI Logo are trademarks or registered trademarks of HDMI Licensing LLC in the United States and other countries.

Where creation of derivative works, modifications or copies of this NCR copyrighted documentation is permitted under the terms and conditions of an agreement you have with NCR, NCR's copyright notice must be included.

It is the policy of NCR Corporation (NCR) to improve products as new technology, components, software, and firmware become available. NCR, therefore, reserves the right to change specifications without prior notice.

All features, functions, and operations described herein may not be marketed by NCR in all parts of the world. In some instances, photographs are of equipment prototypes. Software screen images are representative, and in some cases, may not match a customer's installed software exactly. Therefore, before using this document, consult with your NCR representative or NCR office for information that is applicable and current.

To maintain the quality of our publications, we need your comments on the accuracy, clarity, organization, and value of this book. Please use the link below to send your comments.

Email: FD230036@ncr.com

Copyright © 2021
By NCR Corporation
864 Spring St. NW
Atlanta, GA 30308
United States
All Rights Reserved

Revision Record

Issue	Date	Remarks
A	Dec 2019	First Issue
B	Jul 2020	<ul style="list-style-type: none">• Added references to Back-to-Back kiosk installation• Added a note stating that the this kit documentation covers procedures for Single kiosk installation only• Added installation procedures for Free Standing kiosk installation• Removed procedures for routing cables through the side access door• Updated procedures for removing and installing the Checkpoint controller and power supply
C	Feb 2021	Updated kit contents

Pedestal, ADA Mount (Dark White and Impact Mid Silver)

This publication provides procedures for installing the Pedestal kit on an NCR SelfServ™ XK22 (2246) Kiosk.



Note: This document covers procedures for Single Kiosk installation only. For Back-to-Back Kiosk installation procedures, refer to *Back-to-Back Kiosk Kit Instructions (2246-K040/041)*.

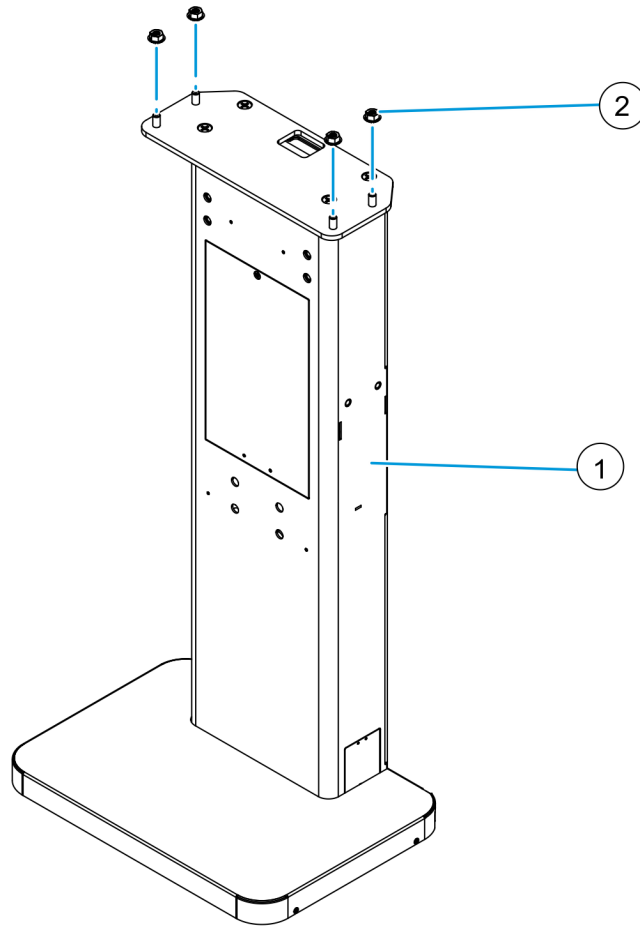
The NCR XK22 Kiosk offers the following two options for Pedestal Mount installation:

- Single Bolted kiosk — the kiosk pedestal is bolted to the floor and cannot be transferred from one location to another. This option requires drilling bolt holes on the floor. The anchors or bolts are not shipped with the kiosk and must be obtained locally.
- Back-to-Back Bolted kiosk — the two kiosk pedestals are installed back-to-back and are both bolted to the floor. This option requires the *2246-K040/041 Back-to-Back Kiosk kit*, which can be purchased separately.
- Single Free Standing kiosk — the kiosk pedestal is bolted to a baseplate (*2246-K400 Baseplate kit*), which can be purchased separately. This option does not require drilling bolt holes on the floor.



Note: For more information on bolts and anchors specifications, refer to *NCR SelfServ™ XK22 (2246) Site Preparation Guide (BCC5-0000-5390)*.

Kit Contents



CCP-76685

Part Number	Description
497-0526293	Kit - Pedestal, ADA Mount (Dark White & Impact Mid Silver)
1	497-0524851 Assembly, Pedestal, ADA, 2246
2	006-8623608 Hex Nut With Washer, M8 Thread, 1.25mm Pitch, 13mm Wid Class 8 Zinc-Plated Steel (4 pcs)
3*	497-0524523 XK22 Paint Color Cross Reference Document
4*	497-0423108 Instructions-Kit (Reference Sheet)
5*	497-0510631 Instruction Sheet to Install 795-0231600/1699 - SS90 Hole Cover
6*	795-0284101 SS90 Hole Cover Label - Dark White

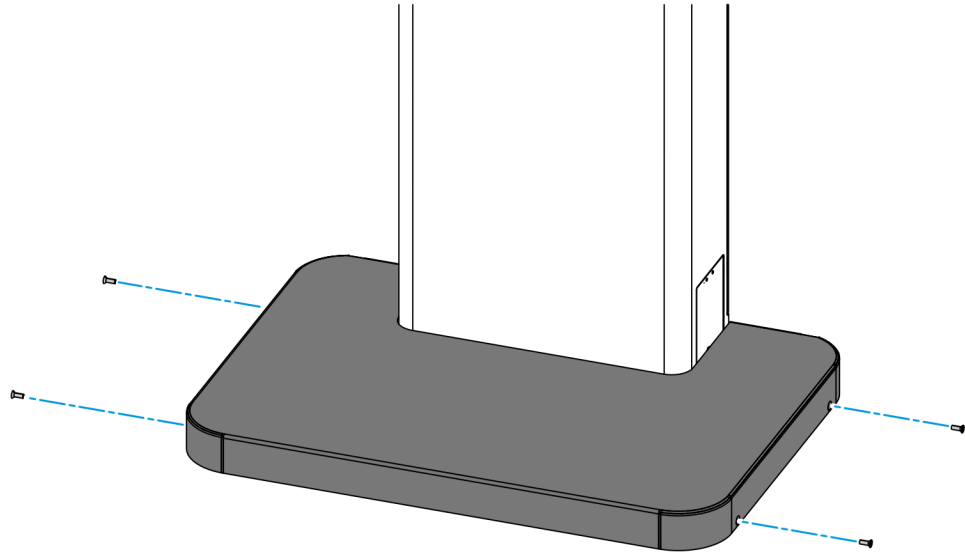


Note: Items marked with an asterisk (*) are not shown in the image.

Installation Procedures

To install the NCR SelfServ™ XK22 (2246) Kiosk on a pedestal mount, follow these steps:

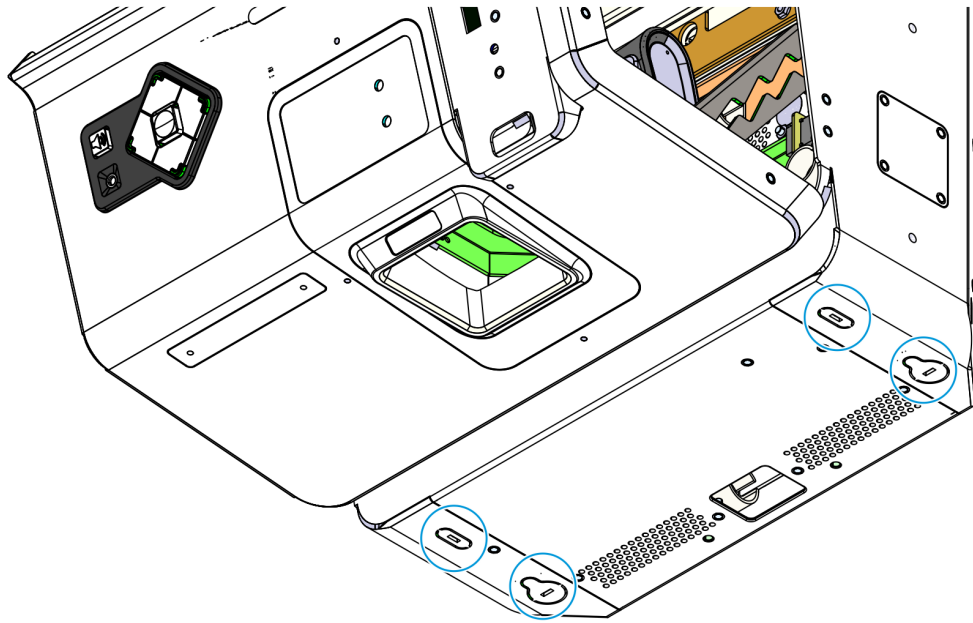
1. Position the pedestal on the final installation location.
2. Remove the Base Cover from the pedestal base by removing the four screws indicated in the following image.



CCP-77900

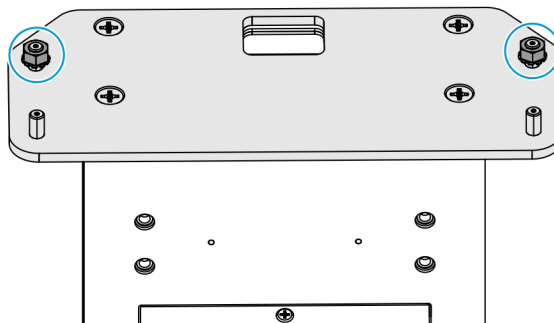
3. Install the pedestal on the floor (bolted) or on the base plate (free standing).
 - For Single Bolted Pedestal Mount, refer to [Bolting the Pedestal to the Floor](#) on page 8.
 - For Free Standing Pedestal Mount, refer to [Bolting the Pedestal to the Baseplate](#) on page 9. For more information, refer to *Base Plate (Impact Mid Silver) Kit Instructions* (2246-K400).

- Using a flat-head screwdriver or a similar tool, remove the four knock-out features that cover the mounting holes on the bottom of the kiosk head.



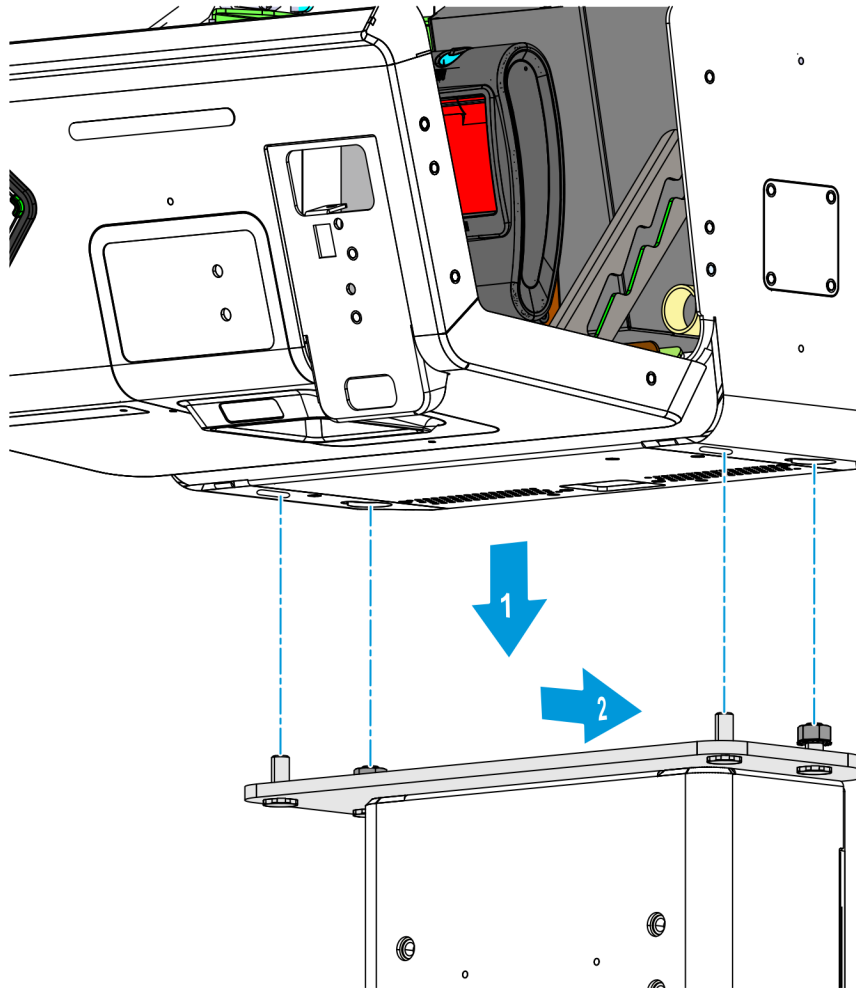
CCP-76691

- Install but do not tighten the two M8 Keps nuts onto the two rear mounting studs.



CCP-76696

6. Position the kiosk head onto the studs on top of the pedestal adapter plate, and then slide the kiosk head toward the back.



CCP-77905

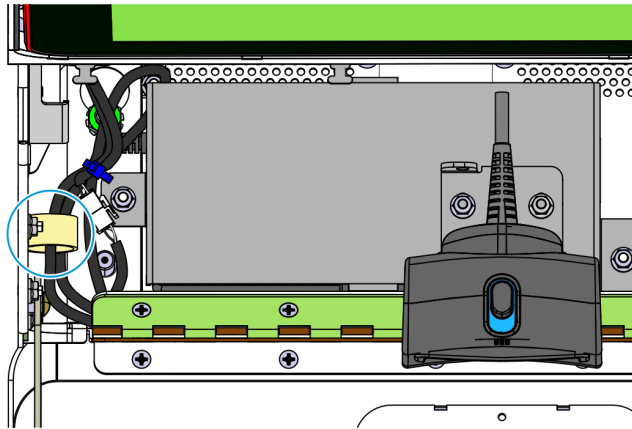
7. While supporting the kiosk, open the Lower Module Door and do the following:



Note: For procedures on how to open the Lower Module Door, refer to [Opening the Kiosk](#) on page 11.

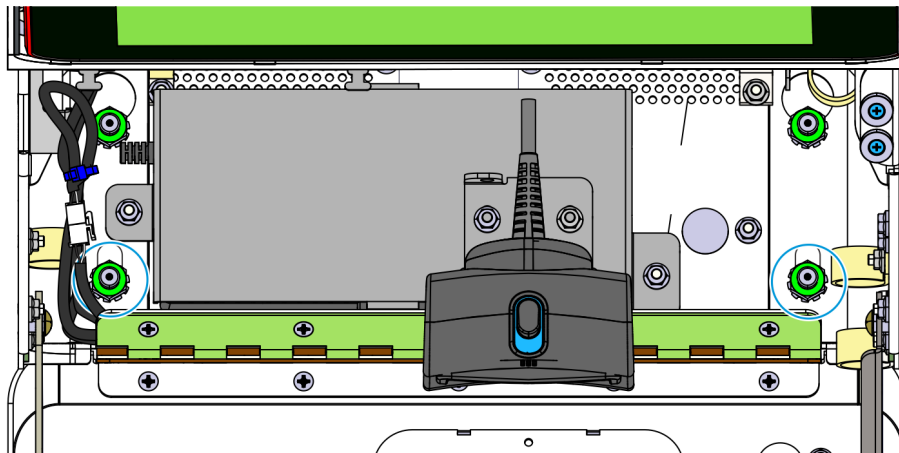
- a. If the kiosk includes the Coupon Bin feature, remove the Coupon Bin from its mounting studs.
- b. If the kiosk includes the Receipt Printer feature, remove the Receipt Printer from its mounting bracket. For more information, refer to [Removing the Receipt Printer](#) on page 15.
- c. If the kiosk includes the Checkpoint feature, remove the Checkpoint Controller, its power supply brick, and its mounting brackets from the kiosk. For more information, refer to [Removing the Checkpoint Controller and Power Supply](#) on page 18.

- d. To access the mounting holes on the left side of the kiosk, remove the DC Power Cable from the p-loop indicated in the following image.



CCP-76697

8. Install but do not tighten the two M8 Keps nuts on the two front studs.



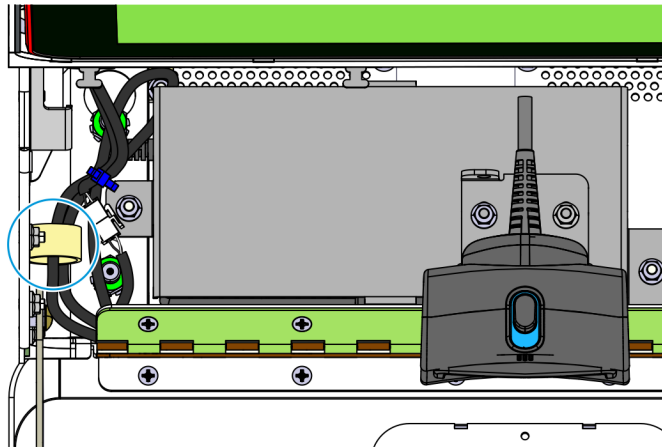
CCP-77906

9. To fully secure the kiosk, tighten the four M8 Keps nuts.



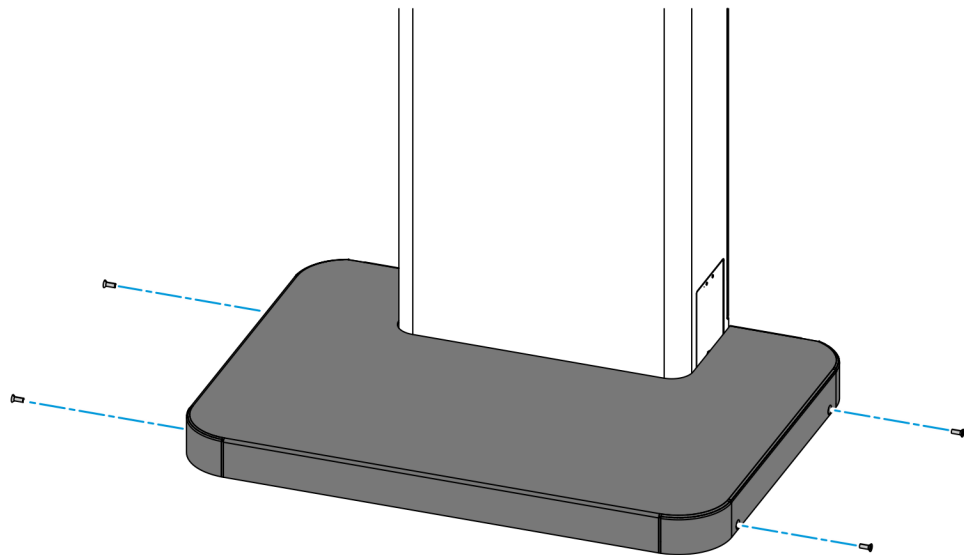
Note: Do not fully tighten any nut on the first turn. Use a stepping method when tightening the nuts. Tighten each nut a little at a time to evenly install the kiosk to the pedestal.

- Return the DC Power Cable to the p-loop indicated in the following image.



CCP-78761

- Route the AC Power Cable and the LAN Cable. For more information, refer to [Routing the Cables](#) on page 25.
- Re-install the Base Cover and secure with four screws.



CCP-77900

- If the kiosk includes the Receipt Printer feature, re-install the receipt printer. For more information, refer to [Installing the Receipt Printer](#) on page 16.
- If the kiosk includes the Checkpoint feature, re-install the Checkpoint Controller, its power supply brick, and its mounting brackets. For more information, refer to [Installing the Checkpoint Controller and Power Supply](#) on page 21.
- If the kiosk includes the Coupon Bin feature, re-install the Coupon Bin on its mounting studs.

Bolting the Pedestal to the Floor

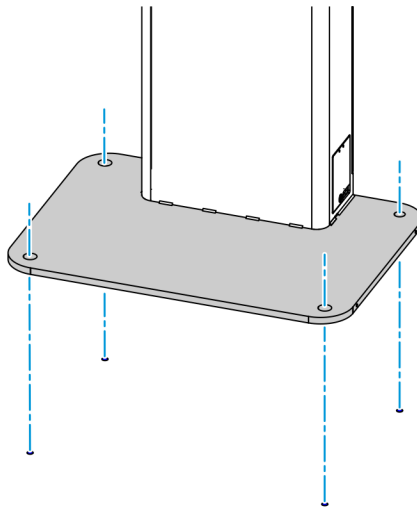
Using recommended anchors, the kiosk must be bolted to the floor. The installation location must be prepared and mounting holes drilled before installing the kiosk. The anchors or bolts are not shipped with the kiosk and must be obtained locally.



Note: For more information on bolts and anchors specifications, refer to *NCR SelfServ™ XK22 (2246) Site Preparation Guide (BCC5-0000-5390)*.

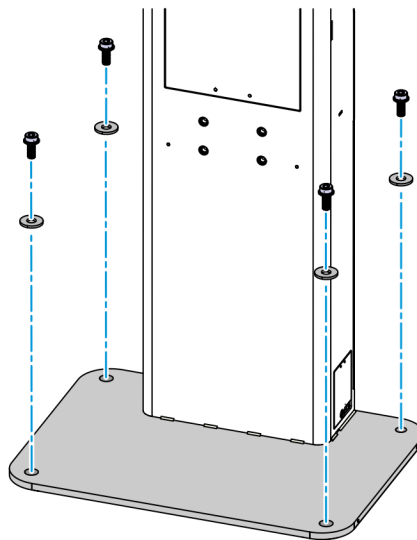
To install the NCR SelfServ™ XK22 (2246) Kiosk on a bolted pedestal mount, follow these steps:

1. Align the four mounting holes on the pedestal base with the four mounting holes on the floor.



CCP-77903

2. Secure the pedestal to the floor using four anchors and four washers.



CCP-77904

Bolting the Pedestal to the Baseplate

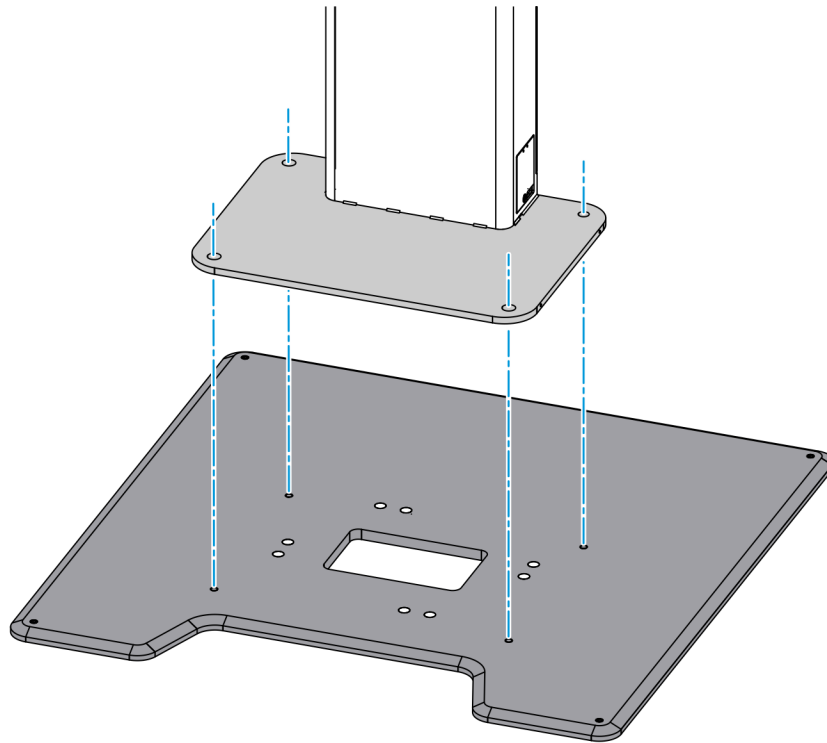
Using recommended anchors, the kiosk must be bolted to the baseplate. The installation location must be prepared before installing the kiosk. The bolts and washers are included in the baseplate kit.



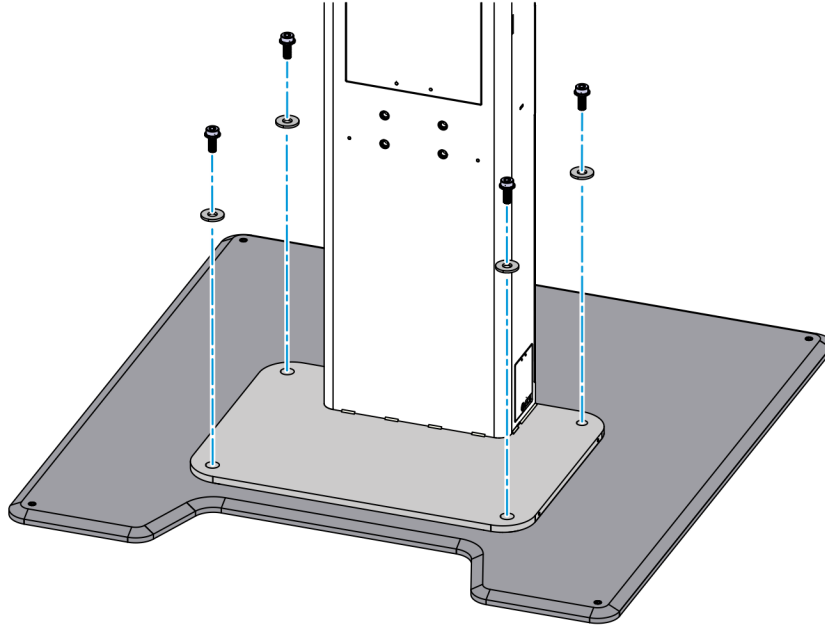
Note: For more information on bolts and anchors specifications, refer to *NCR SelfServ™ XK22 (2246) Site Preparation Guide (BCC5-0000-5390)*.

To install the NCR SelfServ™ XK22 (2246) Kiosk on a free standing pedestal mount, follow these steps:

1. Align the four mounting holes on the pedestal base with the four mounting holes on the baseplate.



- Secure the pedestal to the baseplate using four M8x20 bolts with four washers.



CCP-77902

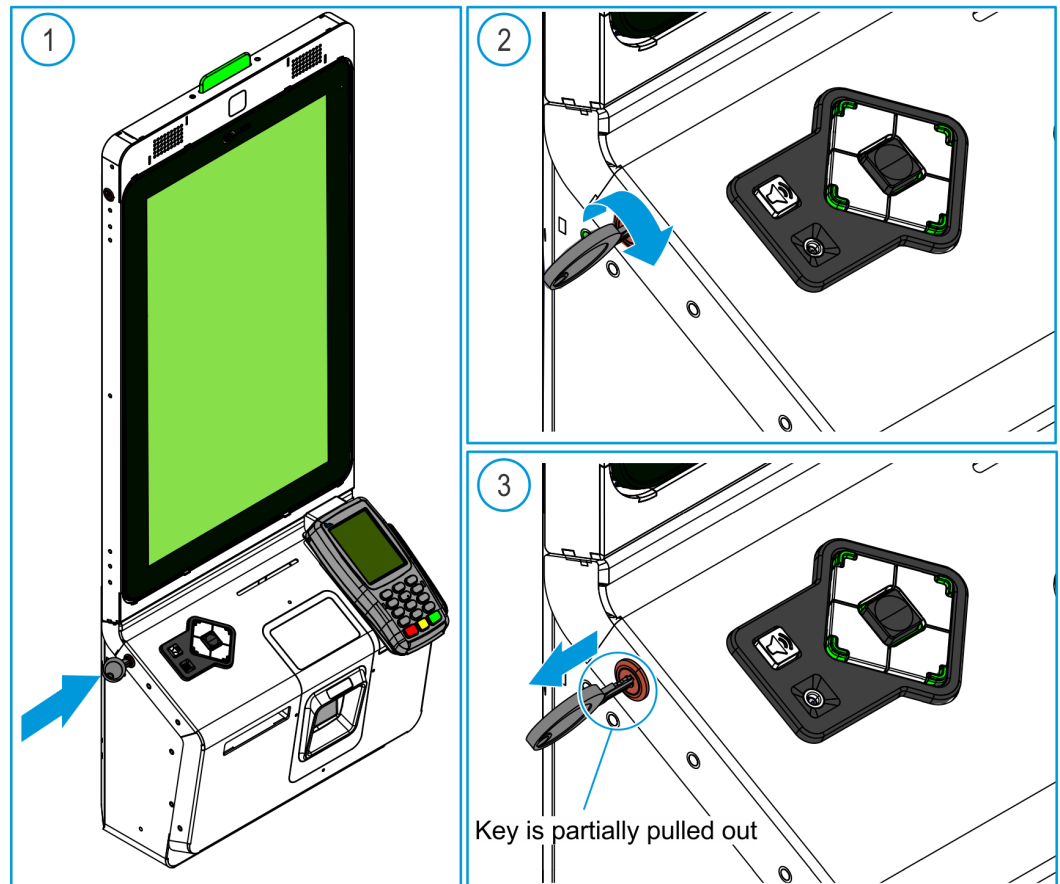
Opening the Kiosk

To open the kiosk, follow these steps:

1. Open the Lower Module Door.
 - a. Insert the Lower Module Door key into the keyhole on the left-hand side of the kiosk, turn the key clockwise (OPEN position), and then partially pull the key (about halfway) out of the keyhole.



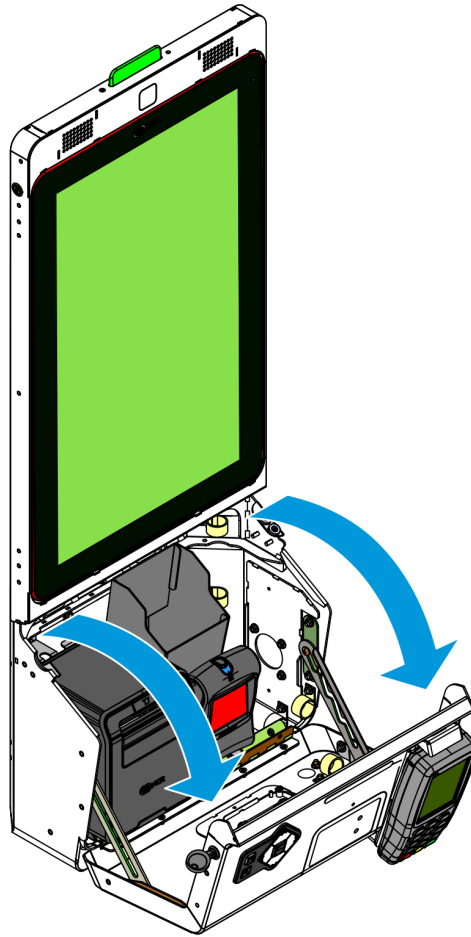
Note: When the key is partially out of the keyhole, the cam lock mechanism is held at the OPEN position. This technique prevents the cam lock from automatically re-engaging with the lock catch.



- b. While the key and the cam lock are at the OPEN position, grip the left and right edges of the Lower Module Door, pull the door forward, and guide the door until the door linkage is fully extended.



Caution: Do NOT abruptly open and release the Lower Module Door. Hold and support the Lower Module Door until fully extended.

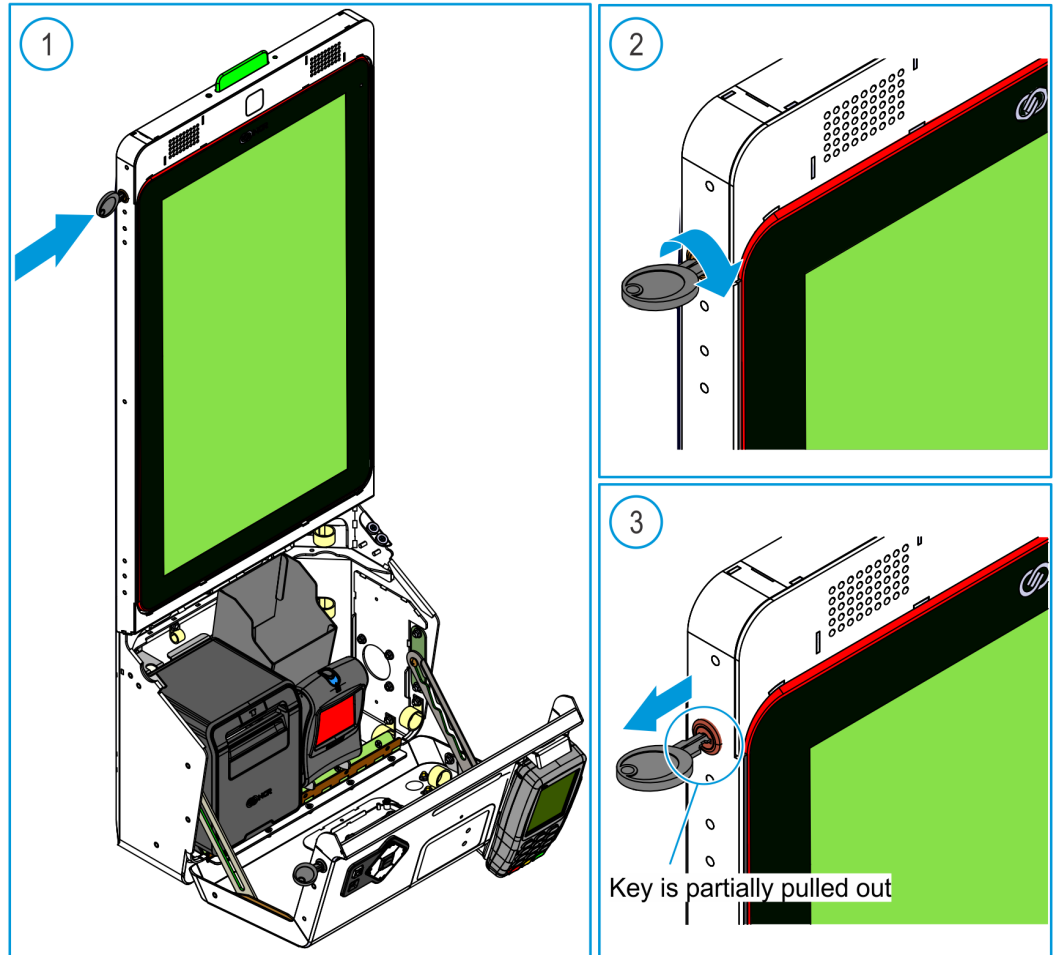


2. Open the Upper Module Door.

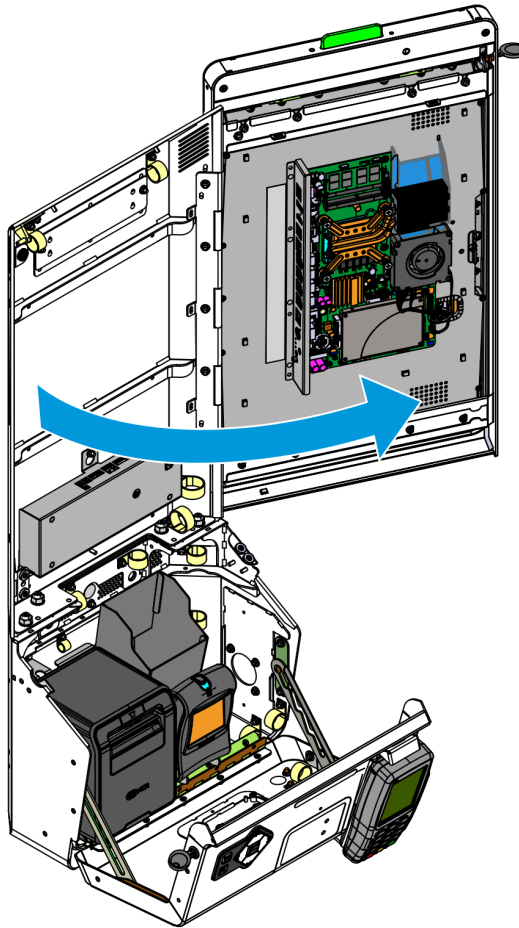
- a. Insert the Upper Module Door key into the lock on the left-hand side of the kiosk, turn the key clockwise (OPEN position), and then partially pull the key (about halfway) out of the keyhole.



Note: When the key is partially out of the keyhole, the cam lock mechanism is held at the OPEN position. This technique prevents the cam lock from automatically re-engaging with the lock catch.



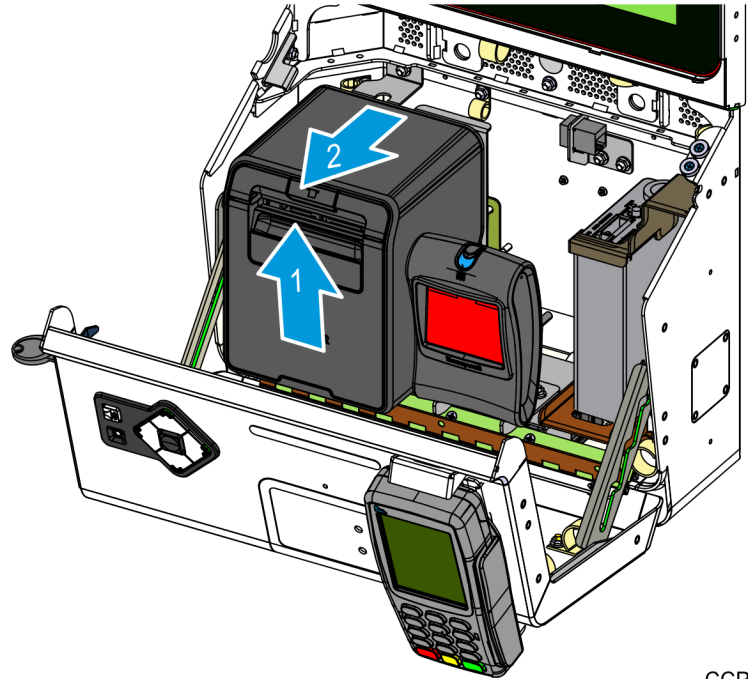
- b. While the key and the cam lock are at the OPEN position, grip the left edge of the Upper Module Door and pull the door forward.



Receipt Printer

Removing the Receipt Printer

1. Slightly slide the receipt printer upward to unhook it from its bracket, and then carefully remove the printer from its bracket.



CCP-77653

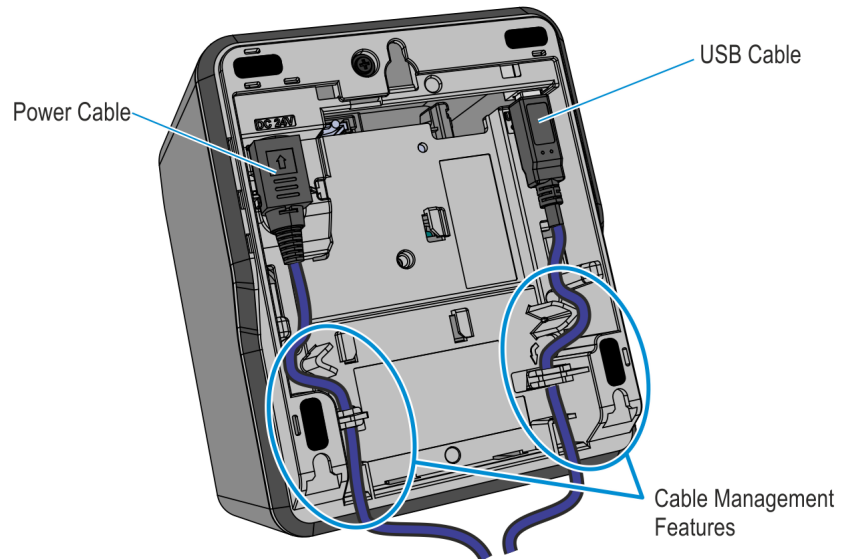


Caution: At this point, the printer cables are still connected to the rear side of the printer. To avoid damaging the cables or the printer, do not pull the printer too far away from its mounting bracket.

2. Disconnect the Power and USB cables from the rear side of the printer.



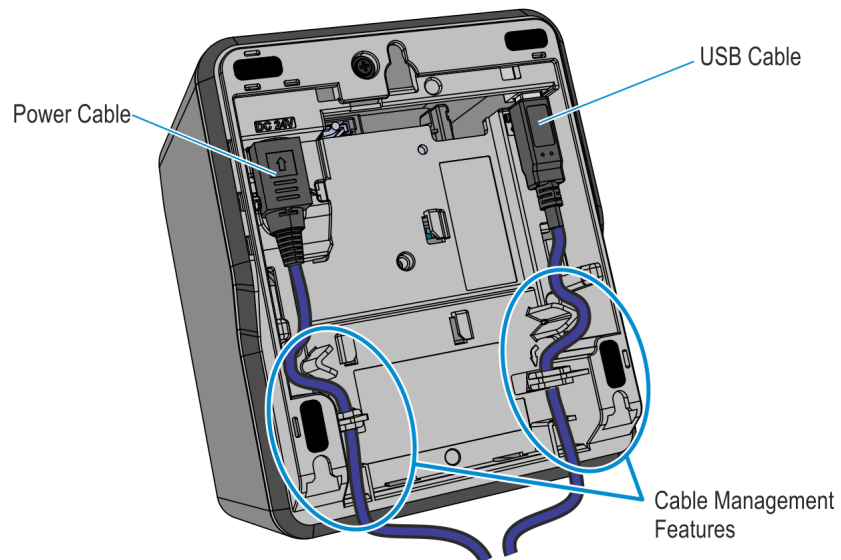
Note: The Power Cable connector has a lock feature. Slightly pull the external shell of the connector then pull the connector out of its port.



CCP-73161

Installing the Receipt Printer

1. Connect the Power and USB cables to the rear side of the printer. Route the cables downward and secure them using the cable management features in the printer.

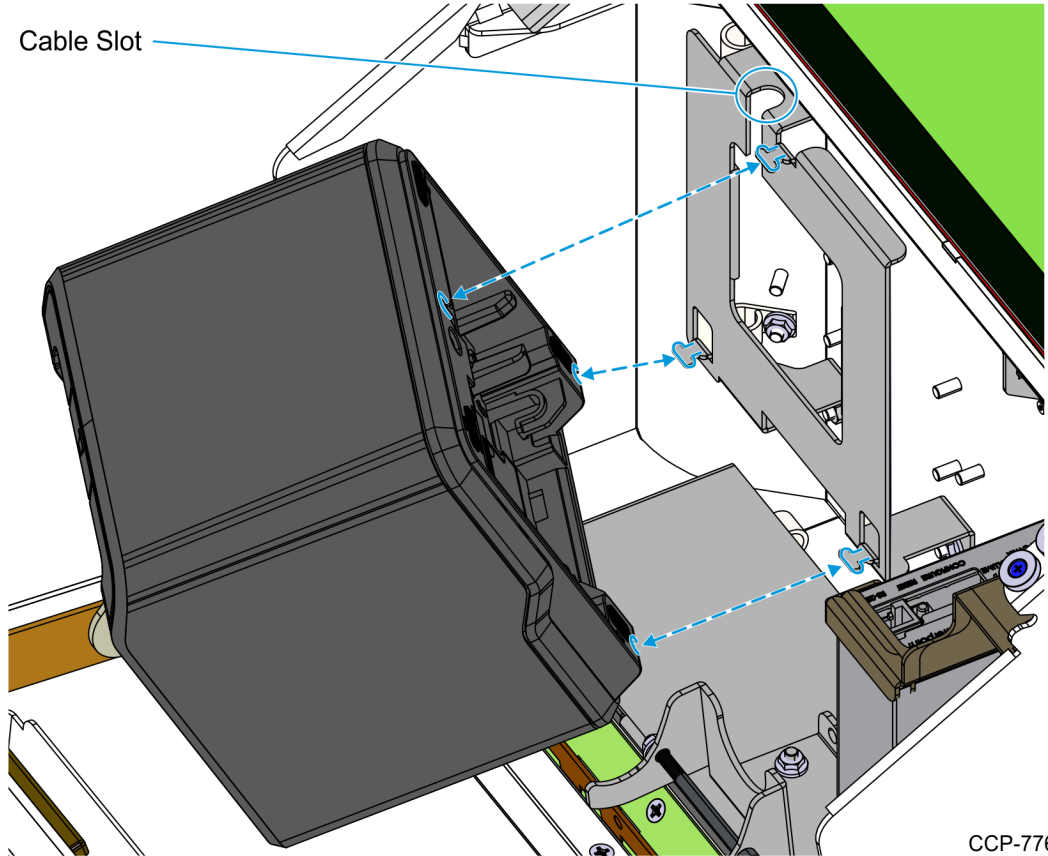


CCP-73161

2. Mount the printer to its bracket using the hook features and slide it down to lock it in place, while inserting the cable to the cable slot on the bracket.

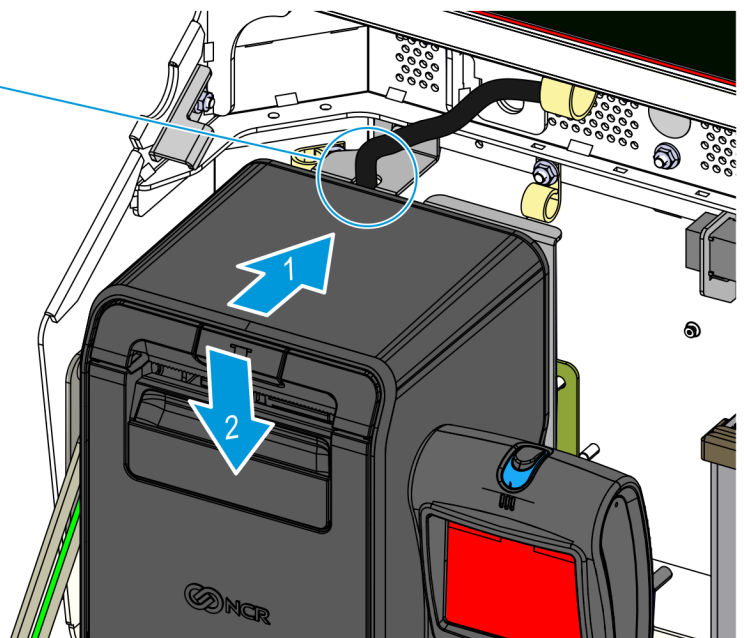


Note: To avoid damaging the printer when the door is closed, ensure that the printer is properly hooked to its bracket.




CCP-77652


Proper cable routing through the cable slot on the printer bracket



CCP-77651


Checkpoint Controller and Power Supply

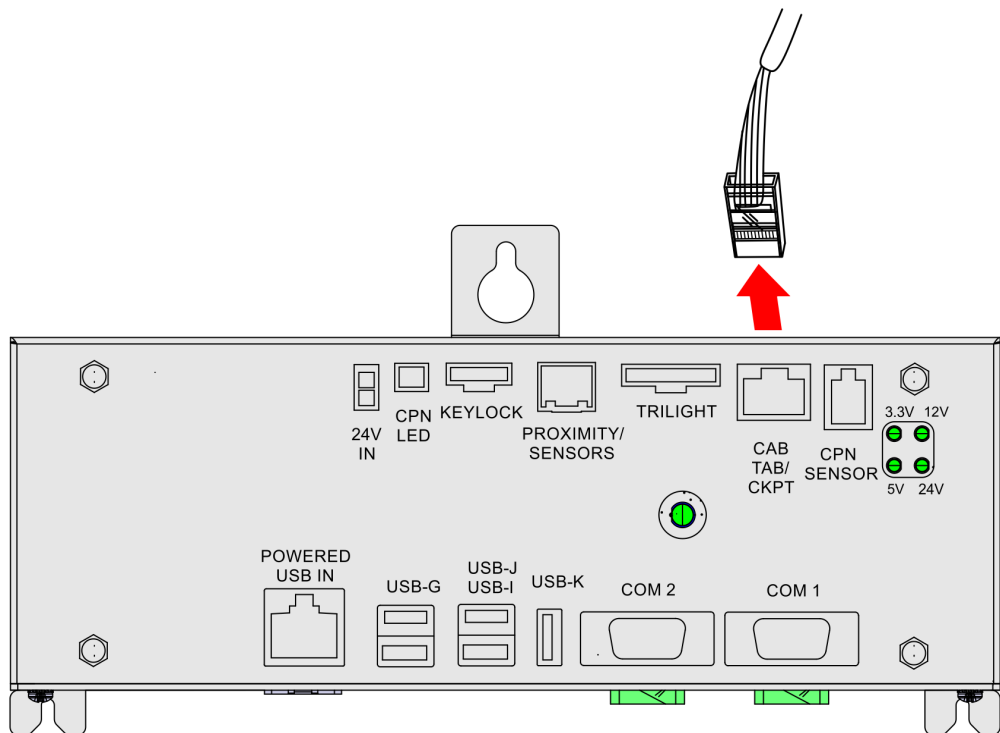
 **Warning:** Before removing or replacing the Checkpoint Controller or Checkpoint Power Supply, ensure to disconnect the Checkpoint Power Supply AC Power Cord from the AC outlet.

 **Note:** This section provides procedures for removing and re-installing the Checkpoint Controller and Power Supply, in case either one or both need to be removed to access other devices in the kiosk.

Removing the Checkpoint Controller and Power Supply

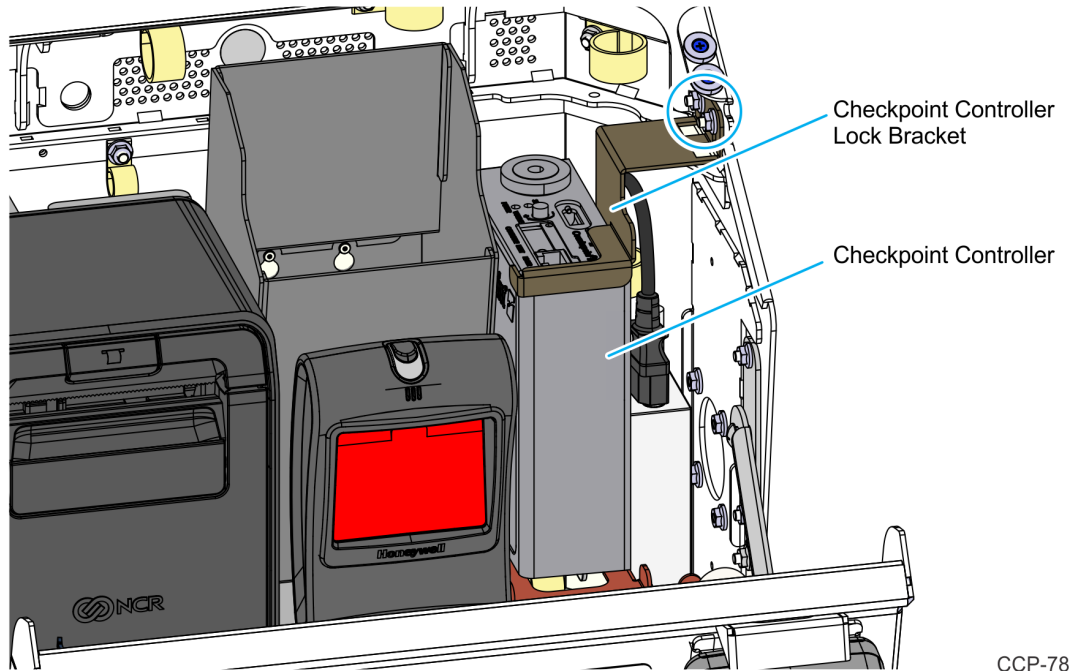
1. Open the Upper Module Door and disconnect the Checkpoint Signal Cable connector from the **CKPT** connector on the I/O Adapter. Remove it from the p-loops along its route.

 **Note:** For procedures on how to open the Upper Module Door, refer to [Opening the Kiosk](#) on page 11.



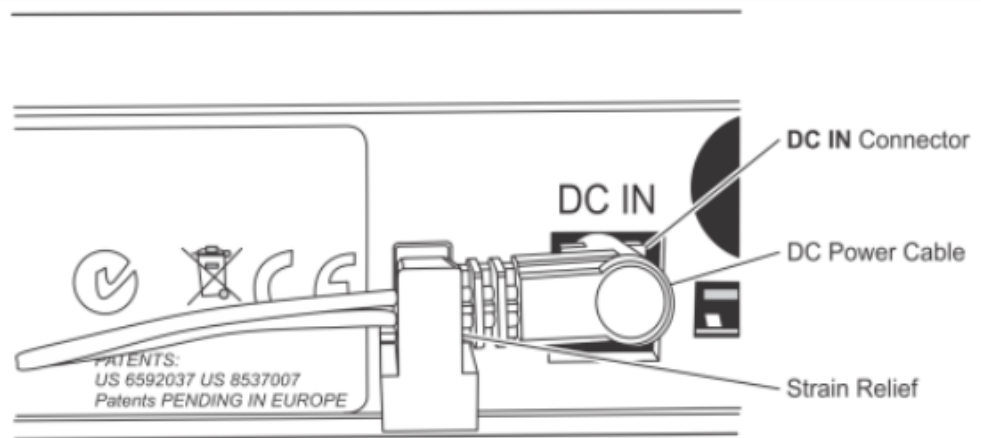
CCP-79188

2. Remove the two hex nuts that secure the Checkpoint Controller lock bracket onto the side of the lower module.



CCP-78188

3. Lift the Checkpoint Controller off the mounting bracket and disconnect the DC Power Cable from the DC In connector at the bottom of the Checkpoint Controller.



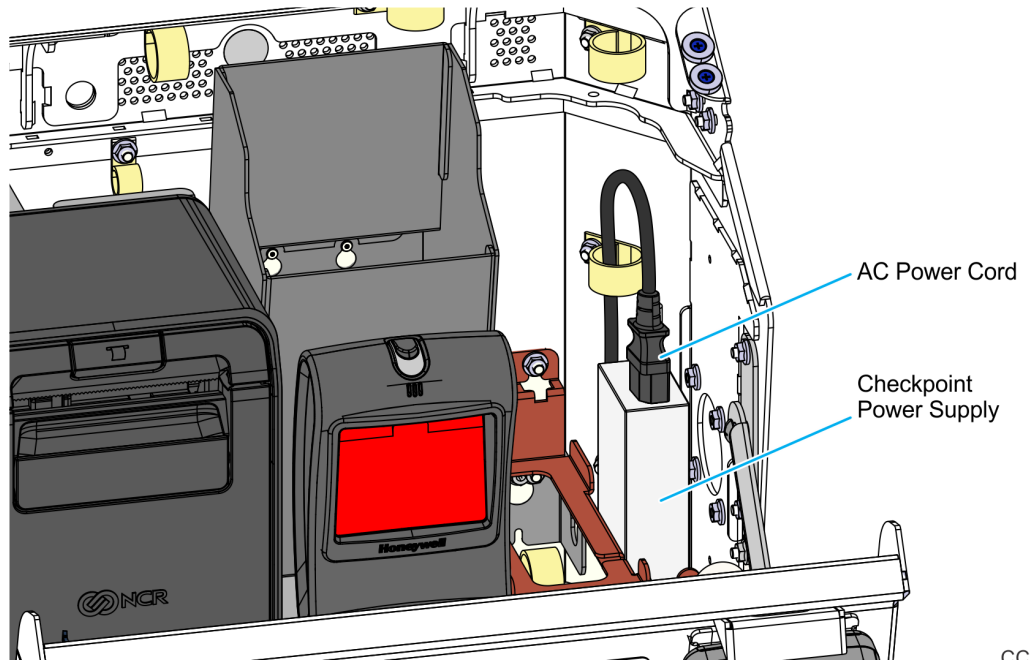
ATL-33729

4. Place the Checkpoint Controller beside the kiosk.



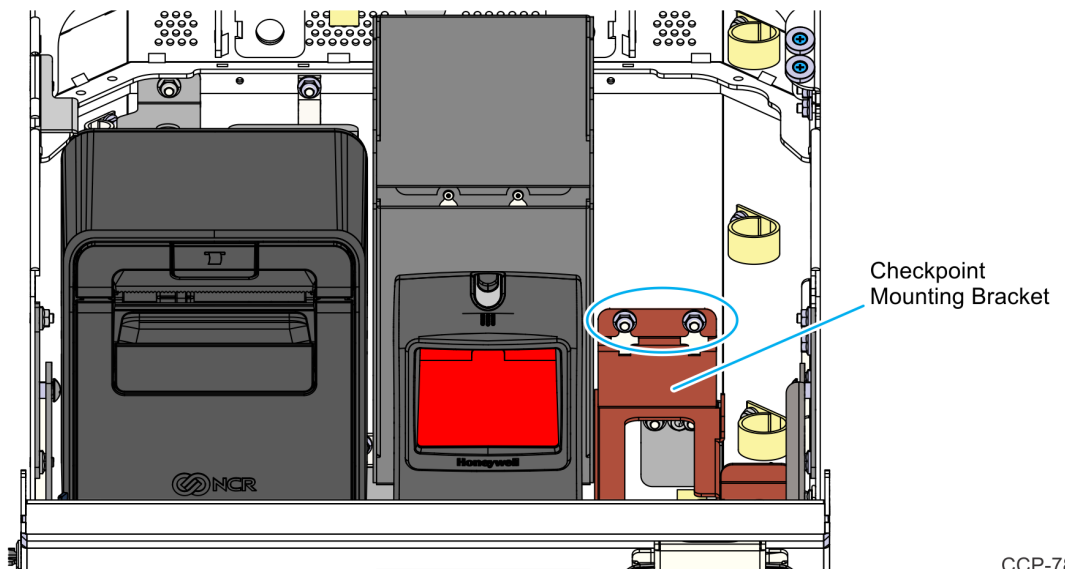
Caution: At this point, the Checkpoint Antenna Cable is still connected to the Checkpoint Controller. Be careful not to pull too much on the cable.

5. Disconnect the AC Power Cord from the Checkpoint Power Supply, and then remove the Checkpoint Power Supply from the mounting bracket.



CCP-78187

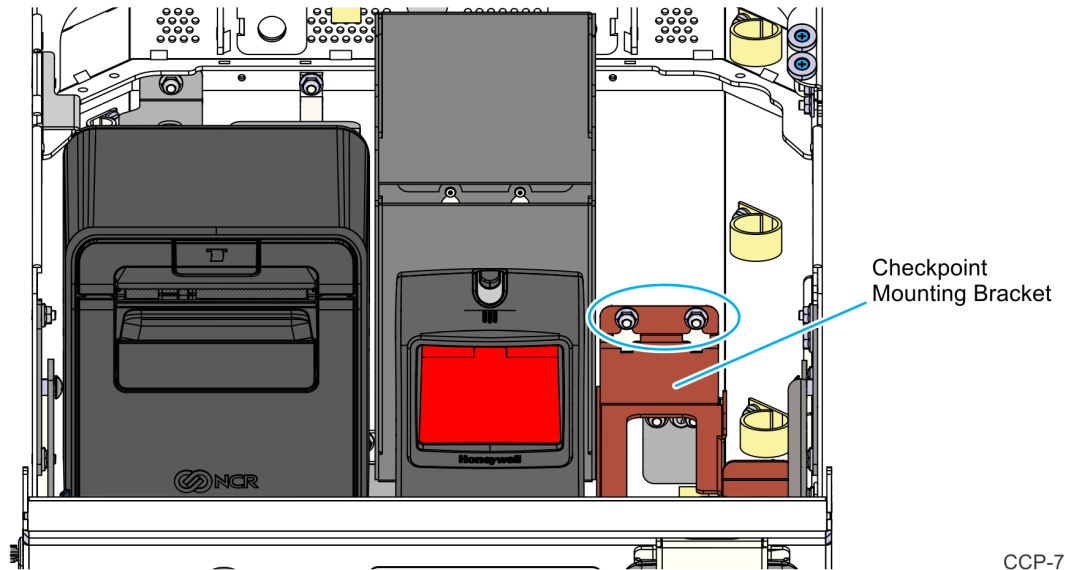
6. Remove the two hex nuts that secure the Checkpoint mounting bracket onto the side of the lower module.



CCP-78186

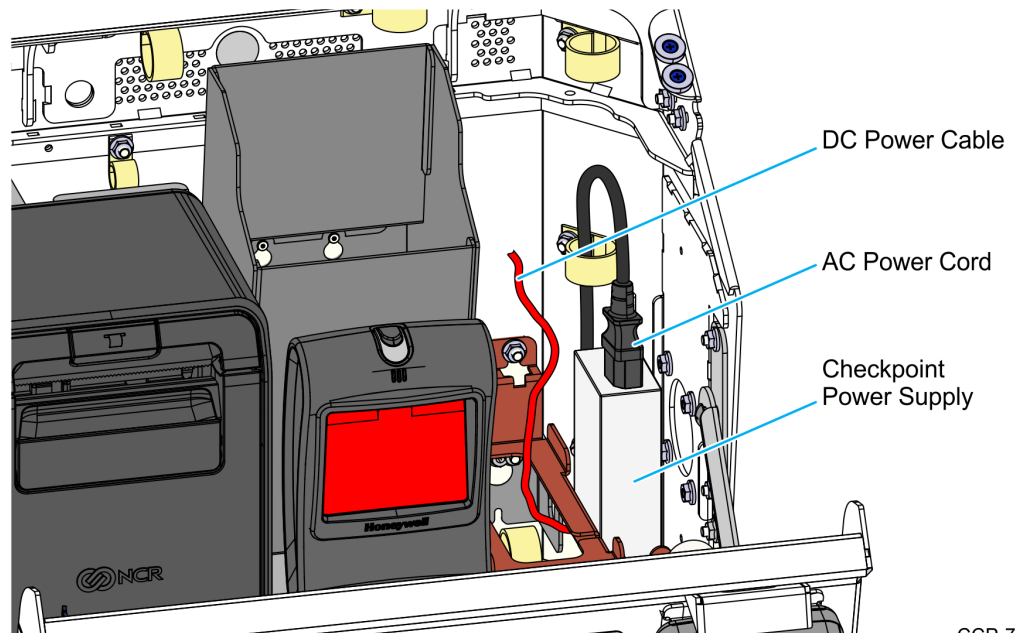
Installing the Checkpoint Controller and Power Supply

1. Install the Checkpoint mounting bracket on the right inner side of the lower module and secure it with the two hex nuts.



CCP-78186

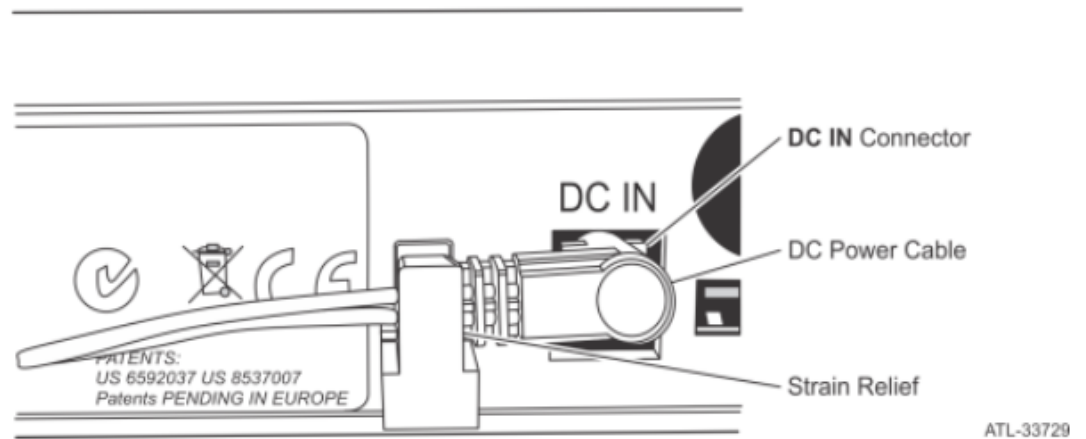
2. Install the Checkpoint Power Supply.



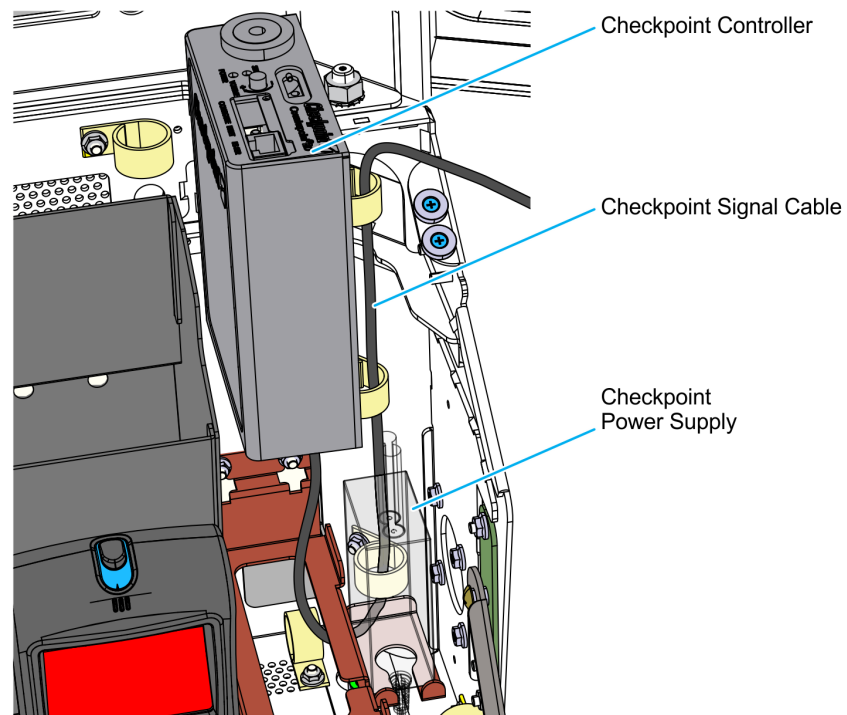
CCP-78185

- a. Route the DC Power Cable of the power supply through the bottom access hole of the mounting bracket.
- b. Position the power supply on the right side of the mounting bracket.
- c. Connect the AC Power Cord to the power supply.

3. Connect the DC Power Cable to the DC In connector at the bottom of the Checkpoint Controller and slide the jack behind the Strain Relief.



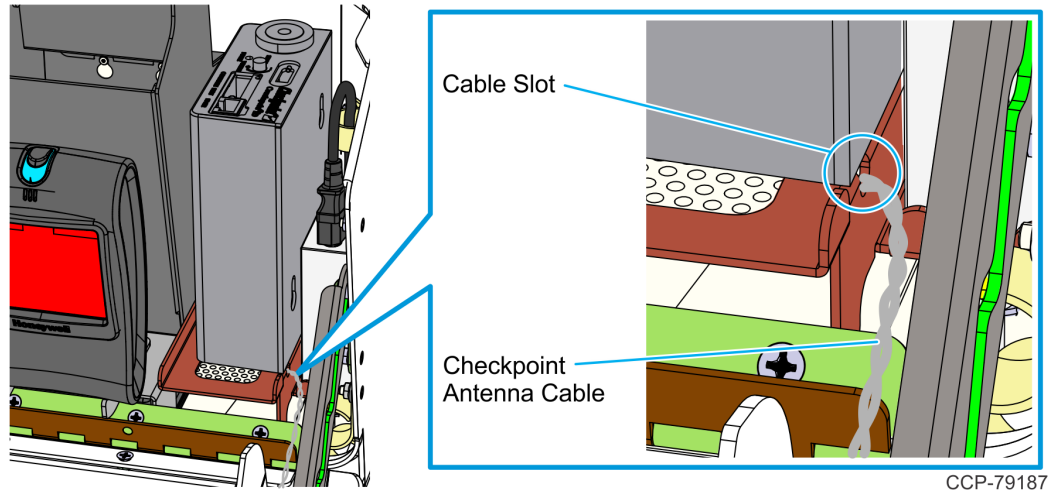
4. Install the Checkpoint Controller.
 - a. Route the Checkpoint Signal Cable through the bottom access hole of the mounting bracket and partially route it through the p-loops beside the Checkpoint Power Supply.



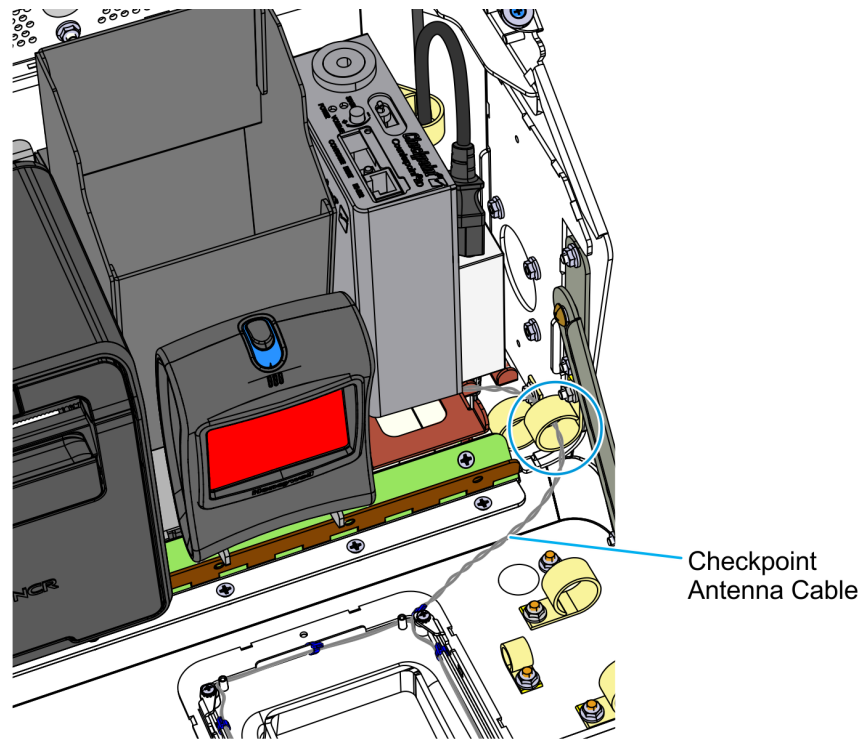
- b. Position the Checkpoint Antenna Cable onto the cable slot on the mounting bracket, and place the Checkpoint Controller on the mounting bracket.



Caution: Ensure that no cables are pinched.

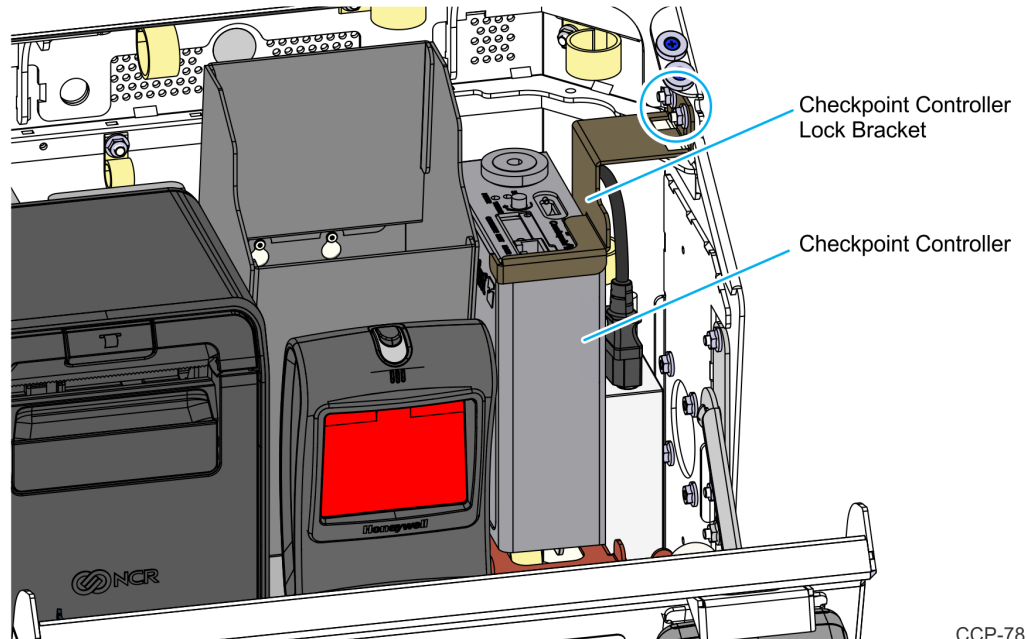


- c. Route the Checkpoint Antenna Cable through the p-loop indicated in the image, and then tuck the excess cable length under the Checkpoint Controller mounting bracket.



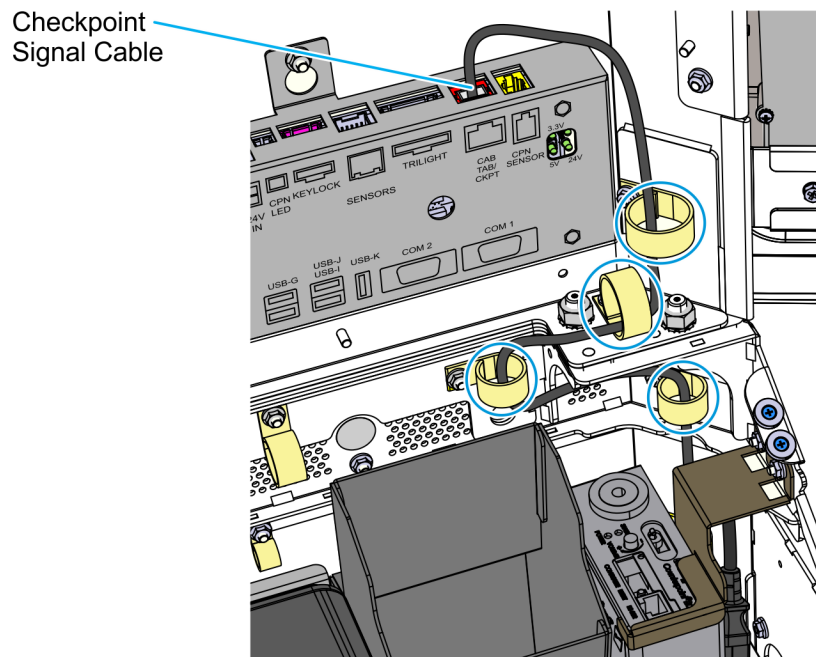
- d. Using a cable tie, bundle any excess length of the DC Power Cable. Place the bundle underneath the Checkpoint Controller mounting bracket.

- e. Install the Checkpoint lock bracket on the right inner side of the lower module and secure it with the two hex nuts.



CCP-78188

5. Connect the Checkpoint Signal Cable connector to the **CKPT** connector on the I/O Adapter. Secure it with p-loops along its route.



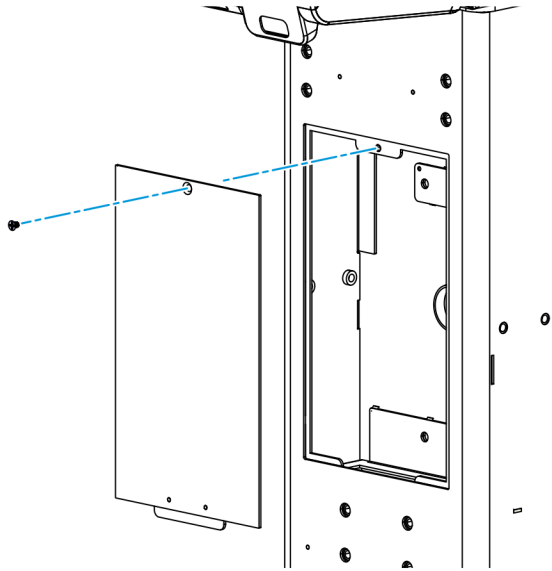
CCP-79186

Routing the Cables

In Pedestal Mount installation, cables may be routed out of the pedestal either through the Rear Access Door (for Single Kiosk installation) or through the Side Access Door (for Back-to-Back Kiosk installation).

This section provides procedures for Single Kiosk installation only. For Back-to-Back Kiosk installation, refer to *Back-to-Back Kiosk Kit Instructions (2246-K040/041)*.

1. Remove the Front Access Door of the pedestal by removing the screw that secures it to the pedestal.

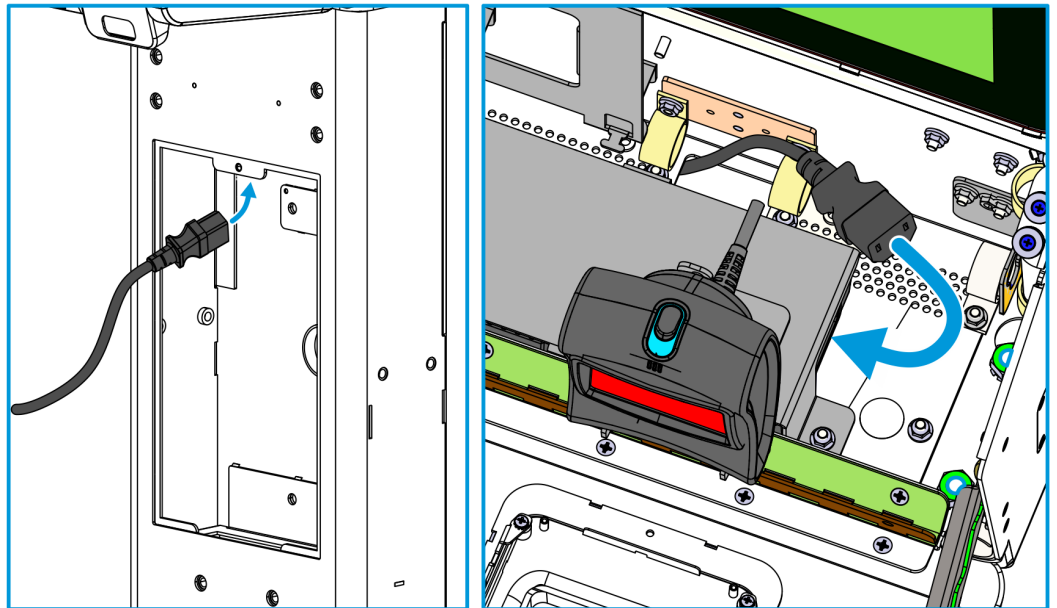


2. Connect and route the AC Power Cable.



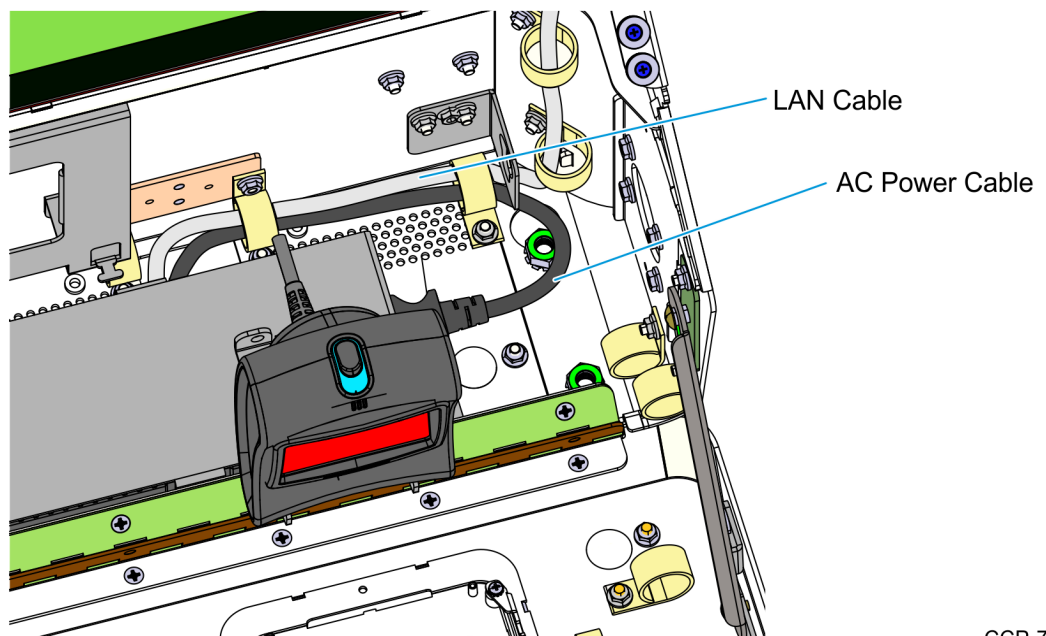
Note: The AC Power Cable is bundled and packed inside the center cutout of the foam pack.

- a. Unpack the AC Power Cable.
- b. Insert one end of the AC Power Cable into the Front Access Door and into the kiosk access hole, and then connect it to the power brick.



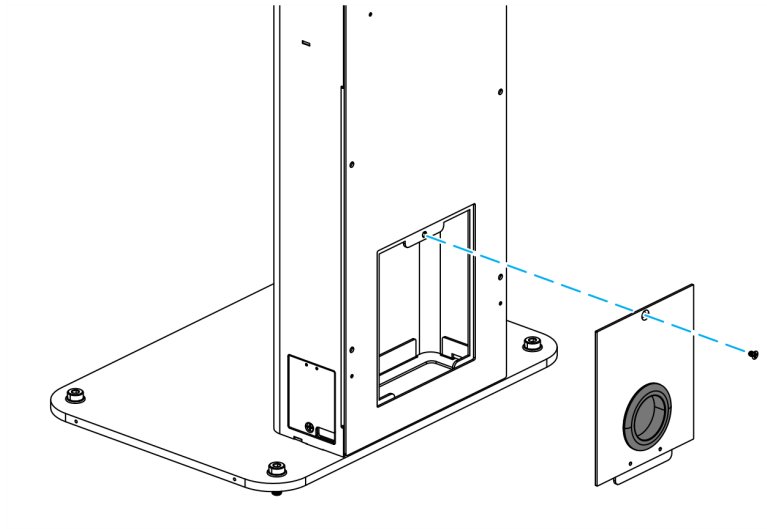
CCP-76693

3. Route the LAN Cable through the access hole on the base of the kiosk, and then secure both LAN Cable and AC Power Cable with the p-loops along the route.



CCP-76698

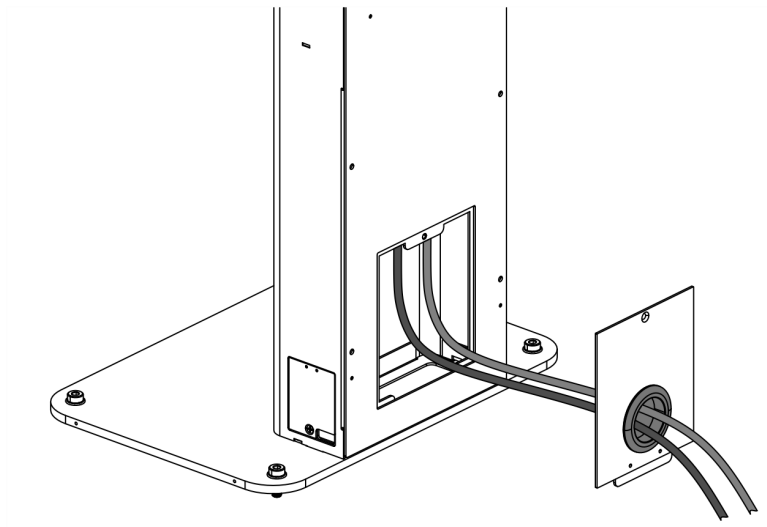
4. Remove the Rear Access Door of the pedestal by removing the screw that secures it to the pedestal.



CCP-77907

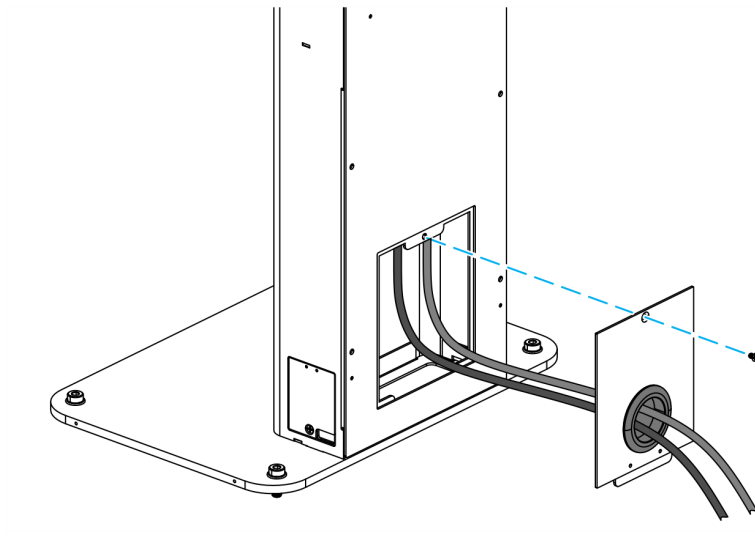
5. Route the AC Power Cable and the LAN Cable out of the pedestal and through the hole of the Rear Access Door. Verify that the AC Power Cable and LAN Cable are long enough to reach their external connection ports.

 **Caution:** Do not plug the AC Power Cable to the power source yet.



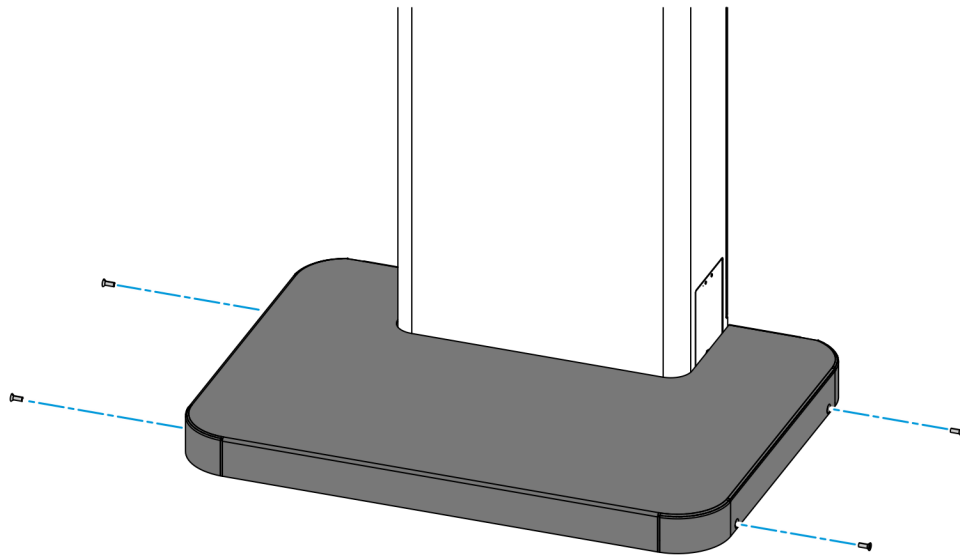
CCP-77908

6. Re-install the Rear Access Door to the pedestal and secure it with a screw.



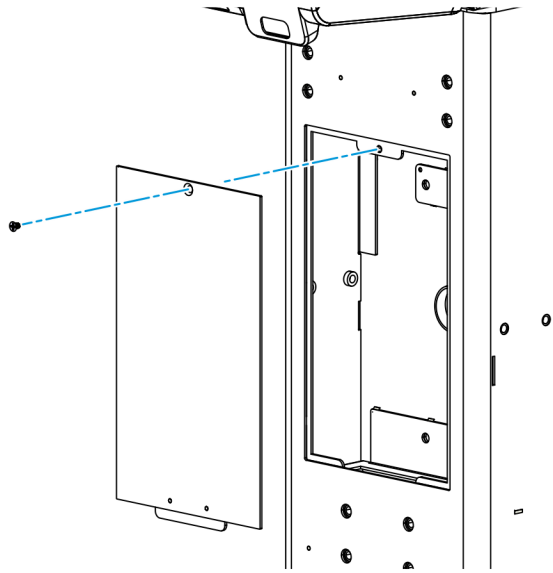
CCP-77909

7. Re-install the Base Cover and secure with four screws.



CCP-77900

8. Re-install the Front Access Door to the pedestal and secure it with a screw.



CCP-76690

