

# Kit Instructions

Base Plate (Impact Mid Silver)

2246-K400  
Issue B



---

The product described in this document is a licensed product of NCR Corporation.

NCR is a registered trademark of NCR Corporation. NCR SelfServ™ is a trademark of NCR Corporation in the United States and/or other countries. Other product names mentioned in this publication may be trademarks or registered trademarks of their respective companies and are hereby acknowledged.

The terms HDMI and HDMI High-Definition Multimedia Interface, and the HDMI Logo are trademarks or registered trademarks of HDMI Licensing LLC in the United States and other countries.

Where creation of derivative works, modifications or copies of this NCR copyrighted documentation is permitted under the terms and conditions of an agreement you have with NCR, NCR's copyright notice must be included.

It is the policy of NCR Corporation (NCR) to improve products as new technology, components, software, and firmware become available. NCR, therefore, reserves the right to change specifications without prior notice.

All features, functions, and operations described herein may not be marketed by NCR in all parts of the world. In some instances, photographs are of equipment prototypes. Software screen images are representative, and in some cases, may not match a customer's installed software exactly. Therefore, before using this document, consult with your NCR representative or NCR office for information that is applicable and current.

To maintain the quality of our publications, we need your comments on the accuracy, clarity, organization, and value of this book. Please use the link below to send your comments.

Email: [FD230036@ncr.com](mailto:FD230036@ncr.com)

Copyright © 2021  
By NCR Corporation  
864 Spring St. NW  
Atlanta, GA 30308  
United States  
All Rights Reserved

---

## Revision Record

Issue	Date	Remarks
A	Dec 2019	First Issue
B	Feb 2021	Updated kit contents



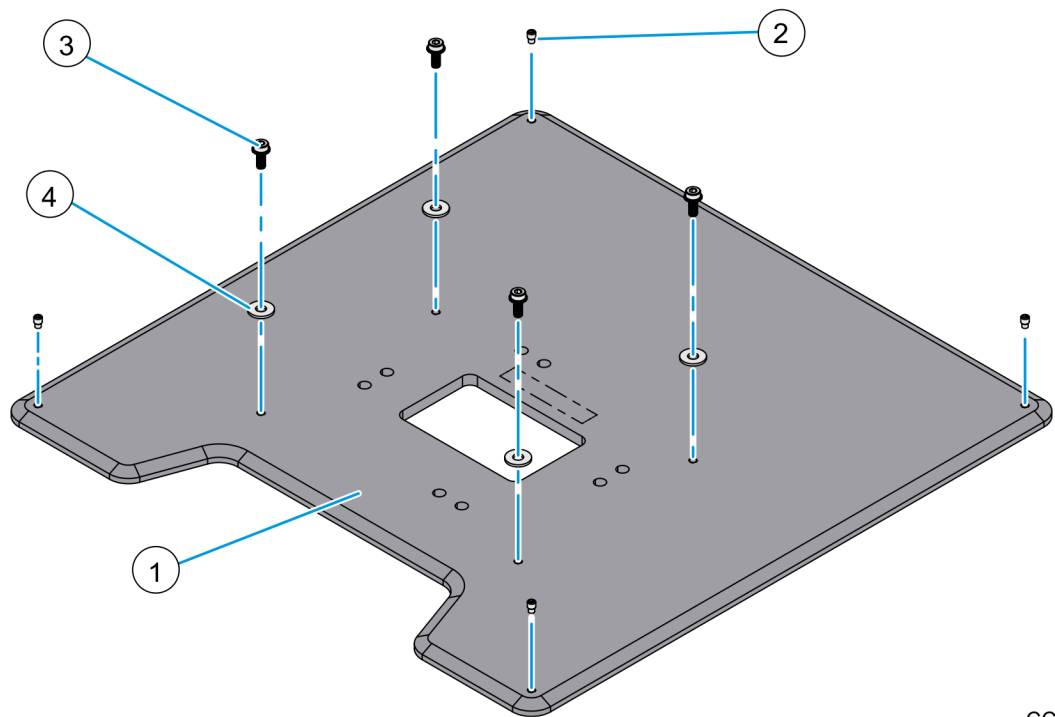
# Base Plate (Impact Mid Silver)

This publication provides procedures for installing the Base Plate kit on an NCR SelfServ™ XK22 (2246) Kiosk.



**Note:** This kit requires the 2246-K900 Pedestal, ADA Mount kit.

## Kit Contents



CCP-77934

Part Number		Description
497-0526292		Kit - Base Plate (Impact Mid Silver)
1	795-0283102	Base Plate, 2246 (Impact Mid Silver)
2	009-0011729	Set Screw-Dog Point-M8X12 Long (4 pcs)
3	006-8627554	M8X20mm Long, 1.25mm Thread Serrated-Flange Socket Head Screw (4 pcs)
4	006-8613306	Washer, .406 ID X 1.0 OD X .100 Thk, Zn (4 pcs)

Part Number		Description
5*	497-0423108	Instructions-Kit (Reference Sheet)
6*	497-0524523	XK22 Paint Color Cross Reference Document



**Note:** Items marked with an asterisk (\*) are not shown in the image.

# Installation Procedure

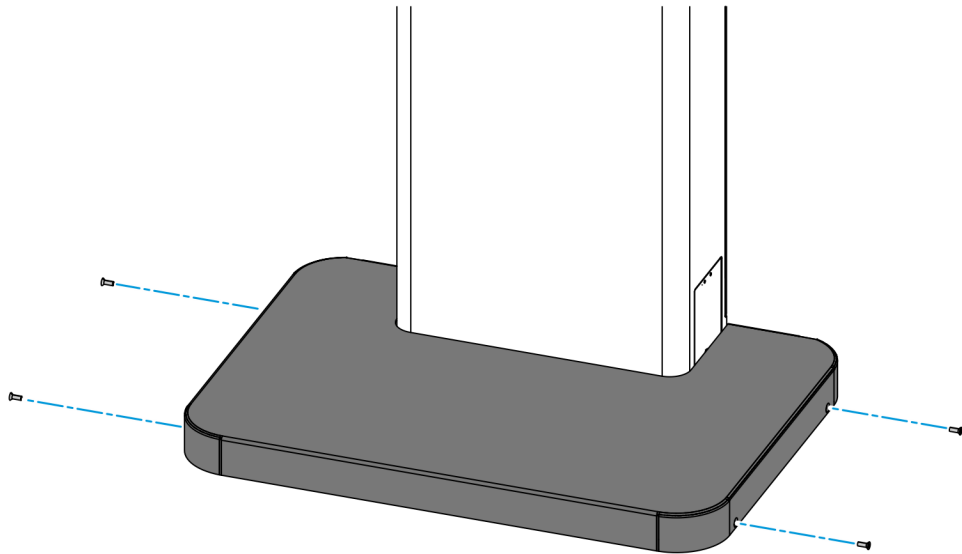
Using recommended anchors, the kiosk must be bolted to the baseplate. The installation location must be prepared before installing the kiosk. The bolts and washers are included in the base plate kit.



**Note:** For more information on bolts and anchors specifications, refer to *NCR SelfServ™ XK22 (2246) Site Preparation Guide*(BCC5-0000-5390).

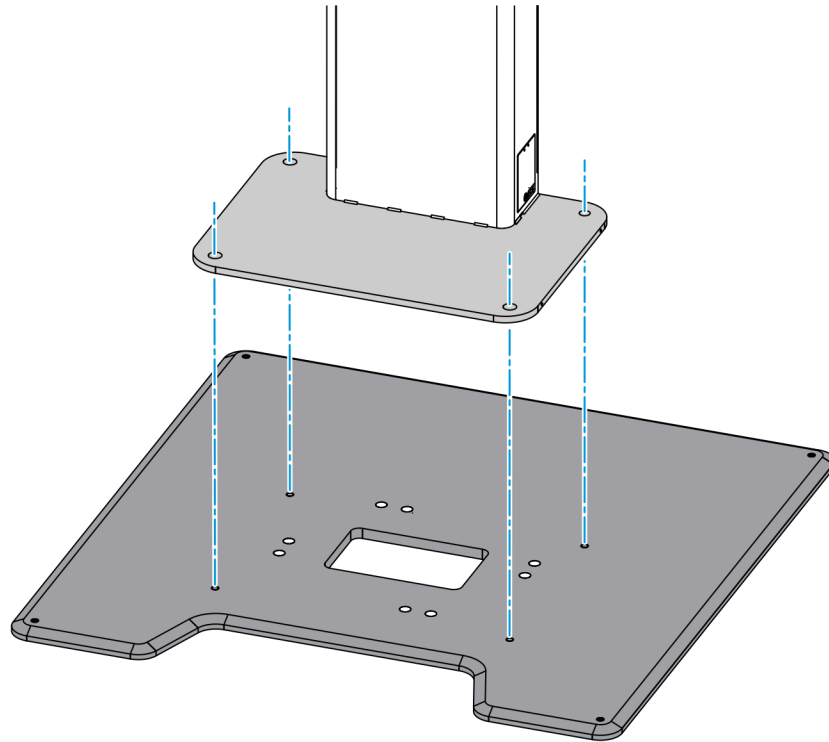
To install the Base Plate kit on an NCR XK22 Kiosk unit, follow these steps:

1. Remove the Base Cover from the pedestal base by removing the four screws indicated in the following image.



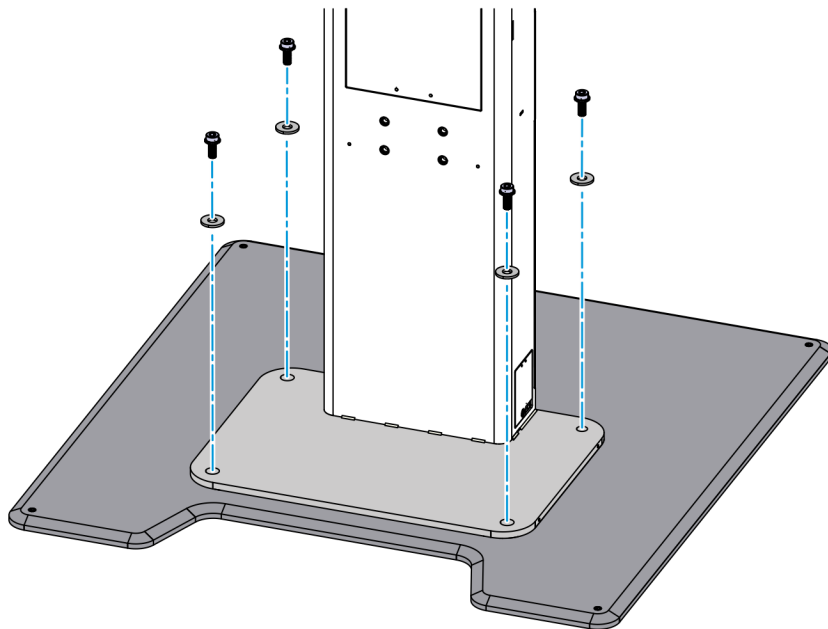
CCP-77900

2. Align the four mounting holes on the pedestal base with the four mounting holes on the baseplate.



CCP-77901

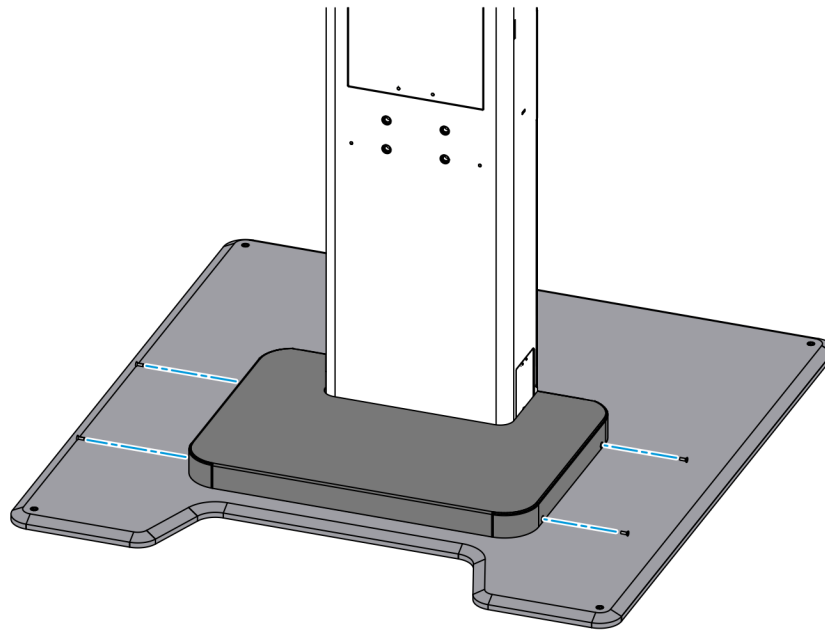
3. Secure the pedestal to the baseplate using four M8x20 bolts with four washers.



CCP-77902



4. Re-install the Base Cover and secure with four screws.



CCP-77933

