

# Kit Instructions

## Handheld Scanner Mount

2246-K100  
Issue A



---

The product described in this document is a licensed product of NCR Corporation.

NCR is a registered trademark of NCR Corporation. NCR SelfServ™ is a trademark of NCR Corporation in the United States and/or other countries. Other product names mentioned in this publication may be trademarks or registered trademarks of their respective companies and are hereby acknowledged.

The terms HDMI and HDMI High-Definition Multimedia Interface, and the HDMI Logo are trademarks or registered trademarks of HDMI Licensing LLC in the United States and other countries.

Where creation of derivative works, modifications or copies of this NCR copyrighted documentation is permitted under the terms and conditions of an agreement you have with NCR, NCR's copyright notice must be included.

It is the policy of NCR Corporation (NCR) to improve products as new technology, components, software, and firmware become available. NCR, therefore, reserves the right to change specifications without prior notice.

All features, functions, and operations described herein may not be marketed by NCR in all parts of the world. In some instances, photographs are of equipment prototypes. Software screen images are representative, and in some cases, may not match a customer's installed software exactly. Therefore, before using this document, consult with your NCR representative or NCR office for information that is applicable and current.

Copyright © 2023  
By NCR Corporation  
864 Spring St. NW  
Atlanta, GA 30308  
United States  
All Rights Reserved

---

## Revision Record

Issue	Date	Remarks
A	Jun 2023	First Issue



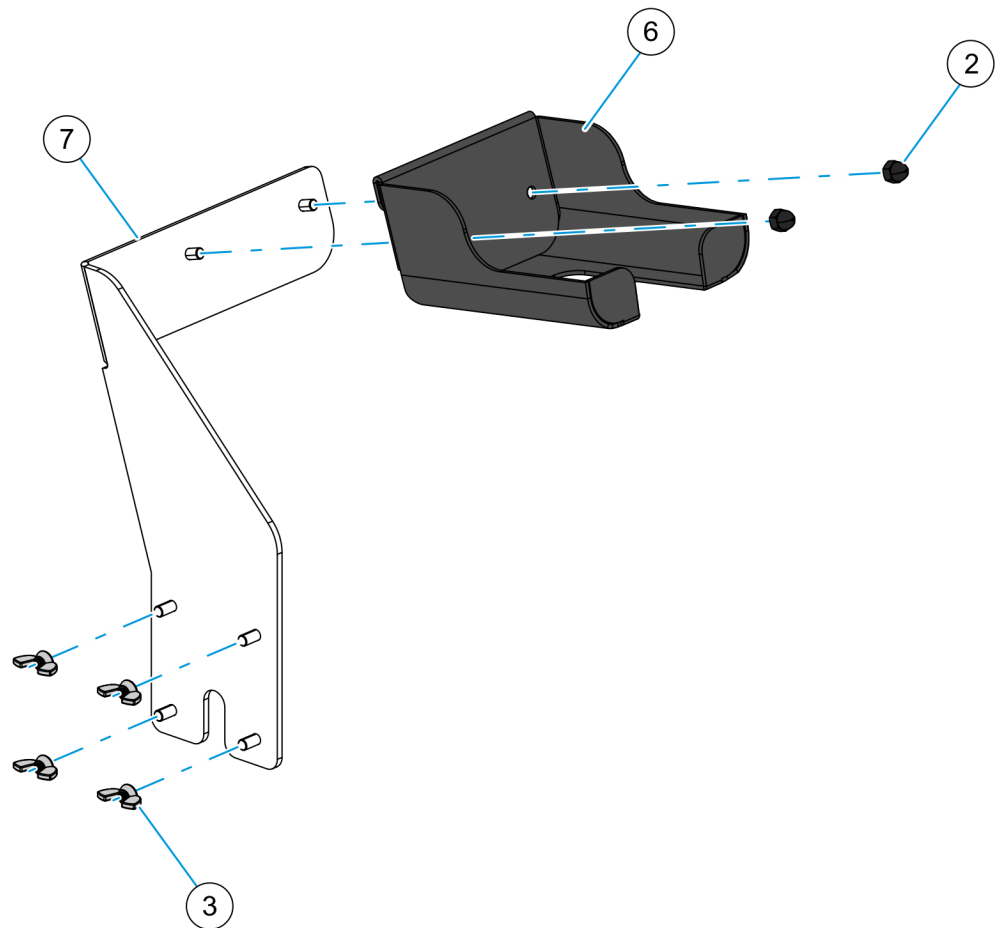
---

# Handheld Scanner Mount

---

This publication provides procedures for installing the Handheld Scanner Mount on an NCR SelfServ™ XK22 (2246) Kiosk.

## Kit Contents



CCP-83526

Part Number	Description
497-0534436	Kit - Handheld Scanner Mount, 2246
1*	006-8624338 Bag, 2x3 Zip Lock (2 pcs)
2	006-8624472 Acorn Nut - M4 x 0.7mm, 7mm Width, 8mm Height - Black Oxide Finish (2 pcs)
3	006-8625120 Nut, Wing, M4, Steel, Zinc Plated (4 pcs)
4*	497-0423108 Instructions-Kit (Reference Sheet)
5*	497-0453621 Packing Box - (9 9/16" x 8 3/16" x 6")
6	497-0519026 Holster, Scanner, Handheld
7	497-0534463 Bracket, Adapter, Handheld Scanner
8*	006-8628635 Large Poly Bags 12" x 10" (2 pcs)



**Note:** Items marked with an asterisk (\*) are not shown in the image.

## Installation Procedures

Installing the Handheld Scanner Mount on an NCR XK22 Kiosk unit involves the following procedures:

1. Open the Lower Module Door and the Upper Module Door. For more information, refer to [Opening the Kiosk](#) on the next page.
2. Install the Scanner Adapter Bracket, Scanner Mount Bracket, and Handheld Scanner onto the Lower Module. For more information, refer to [Installing the Handheld Scanner](#) on page 8.
3. Route the Handheld Scanner Cable. For more information, refer to [Routing the Handheld Scanner Cable](#) on page 11.

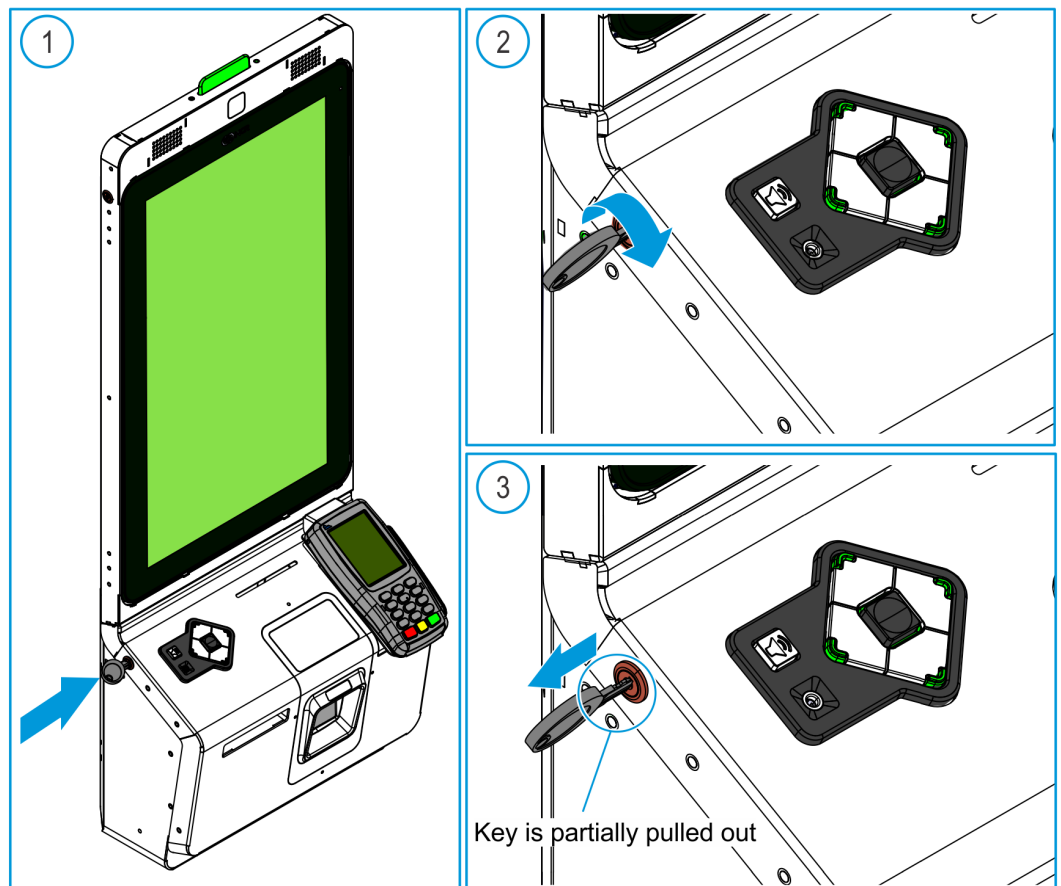
## Opening the Kiosk

To open the kiosk, follow these steps:

1. Open the Lower Module Door.
  - a. Insert the Lower Module Door key into the keyhole on the left-hand side of the kiosk, turn the key clockwise (OPEN position), and then partially pull the key (about halfway) out of the keyhole.



**Note:** When the key is partially out of the keyhole, the cam lock mechanism is held at the OPEN position. This technique prevents the cam lock from automatically re-engaging with the lock catch.

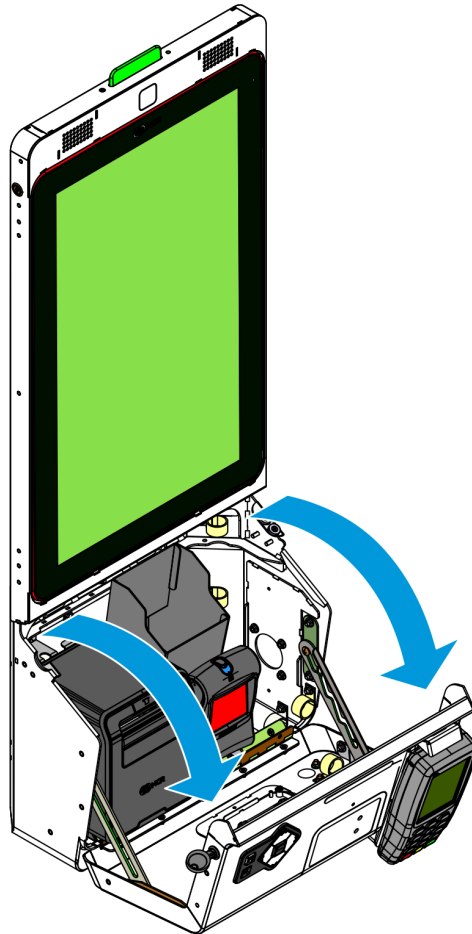




- b. While the key and the cam lock are at the OPEN position, grip the left and right edges of the Lower Module Door, pull the door forward, and guide the door until the door linkage is fully extended.



**Caution:** Do NOT abruptly open and release the Lower Module Door. Hold and support the Lower Module Door until fully extended.

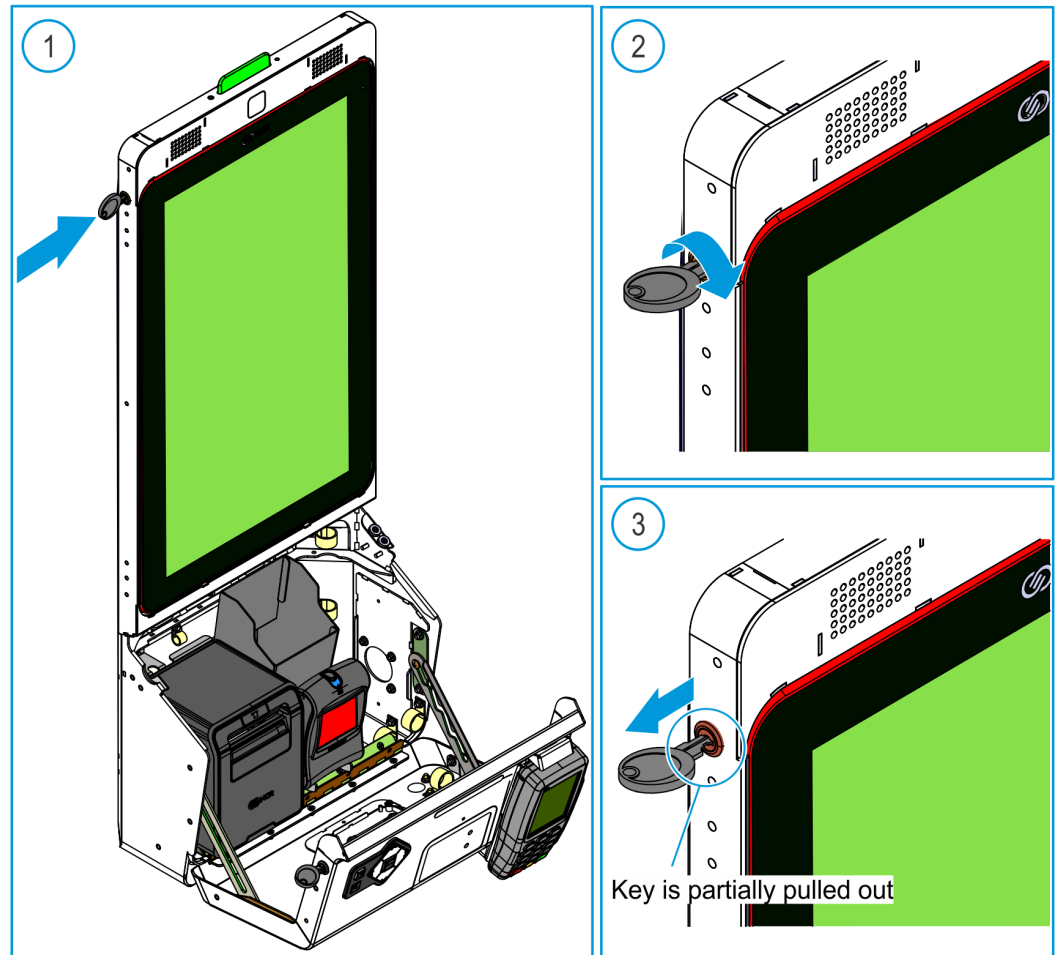


## 2. Open the Upper Module Door.

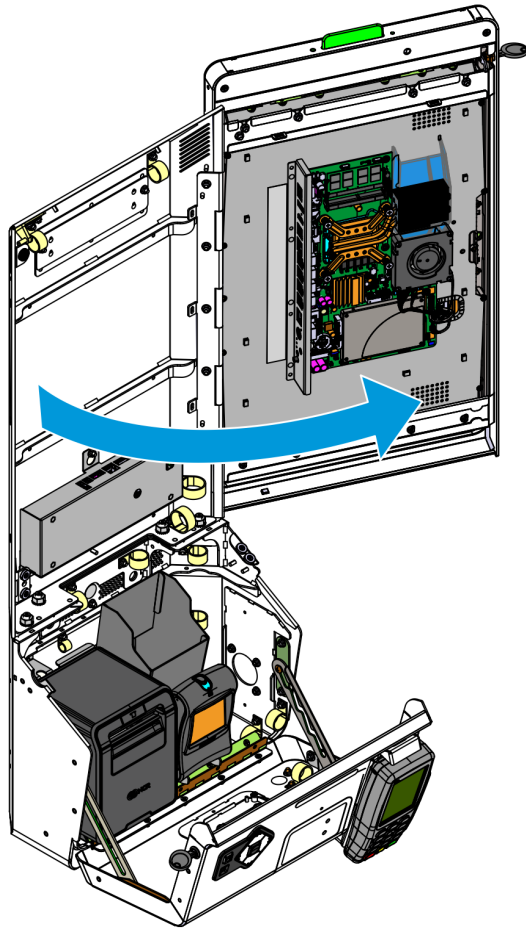
- a. Insert the Upper Module Door key into the lock on the left-hand side of the kiosk, turn the key clockwise (OPEN position), and then partially pull the key (about halfway) out of the keyhole.



**Note:** When the key is partially out of the keyhole, the cam lock mechanism is held at the OPEN position. This technique prevents the cam lock from automatically re-engaging with the lock catch.



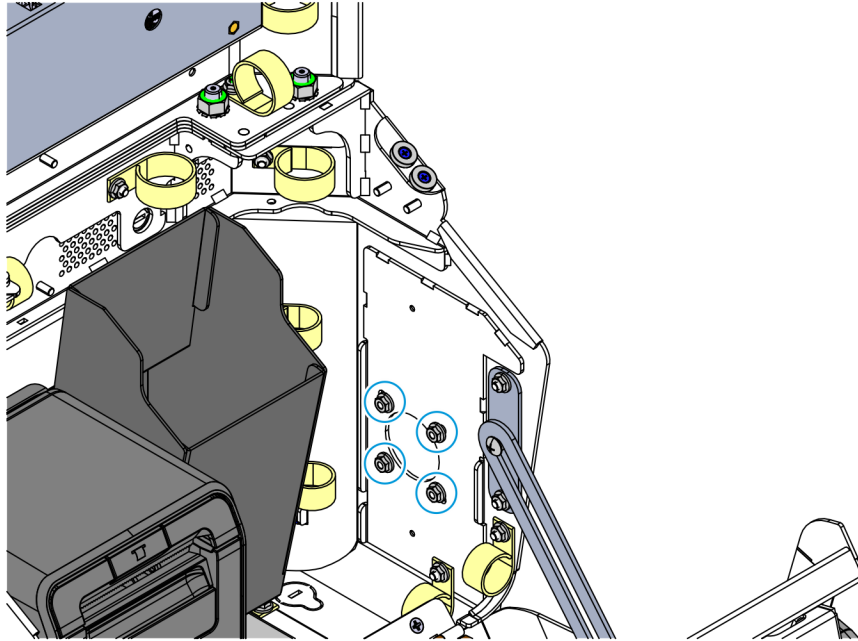
- b. While the key and the cam lock are at the OPEN position, grip the left edge of the Upper Module Door and pull the door forward.



## Installing the Handheld Scanner

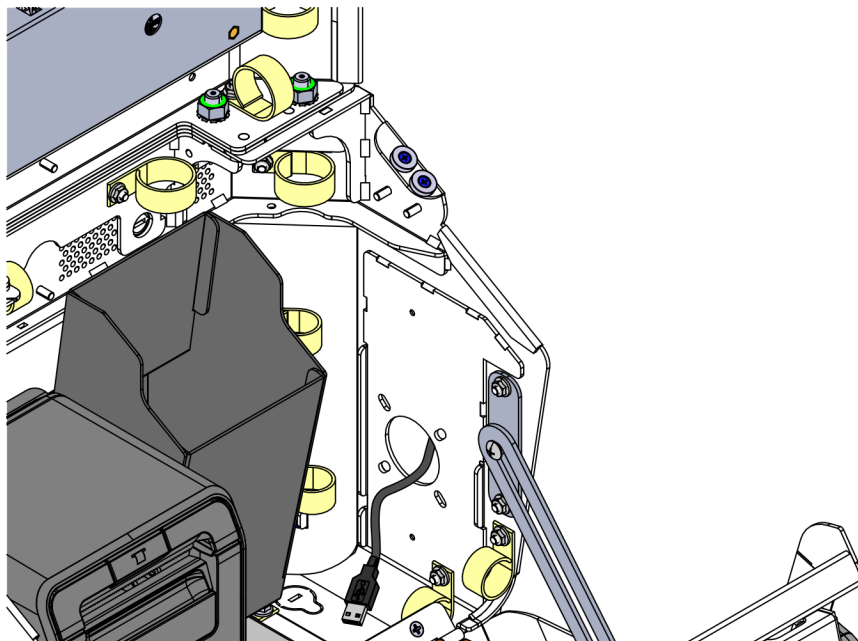
To install the Handheld Scanner, follow these steps:

1. Remove the four M4 hex nuts that secure the square cover on the side of the kiosk.



CCP-83533

2. Insert the Handheld Scanner Cable through the cable access hole.

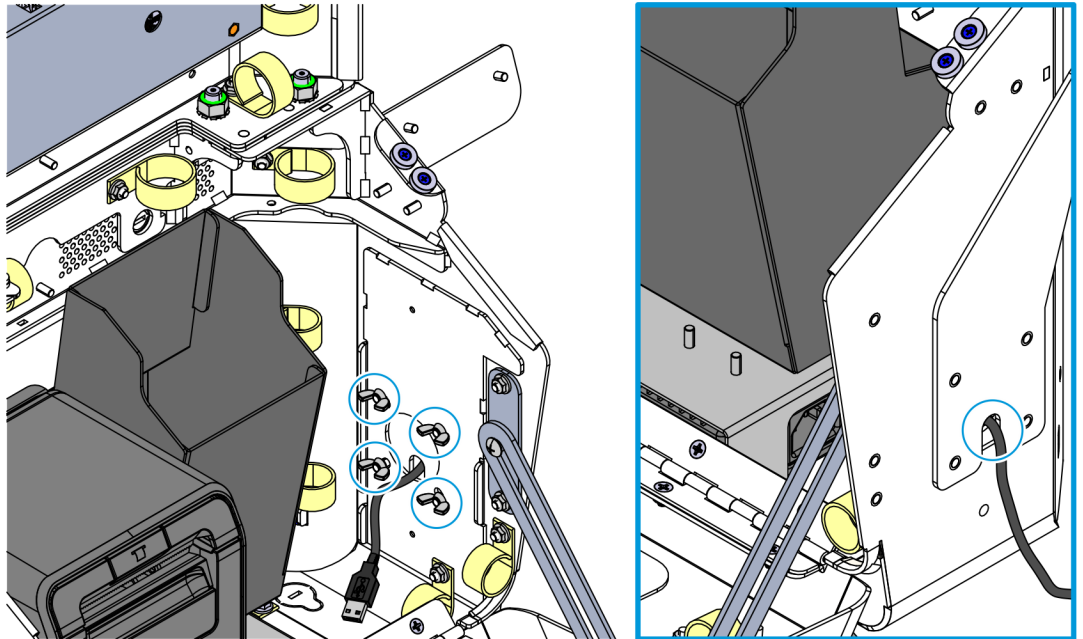


CCP-83528

3. Mount the Scanner Adapter Bracket onto the side of the kiosk and position the scanner cable onto the cable slot.



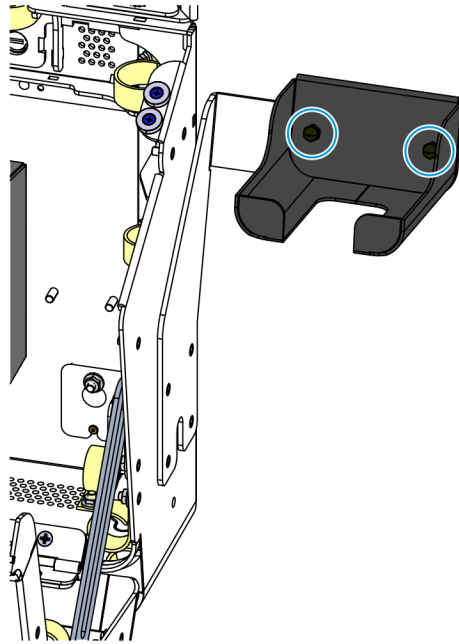
**Caution:** Ensure that the Handheld Scanner Cable is not pinched.



CCP-83527

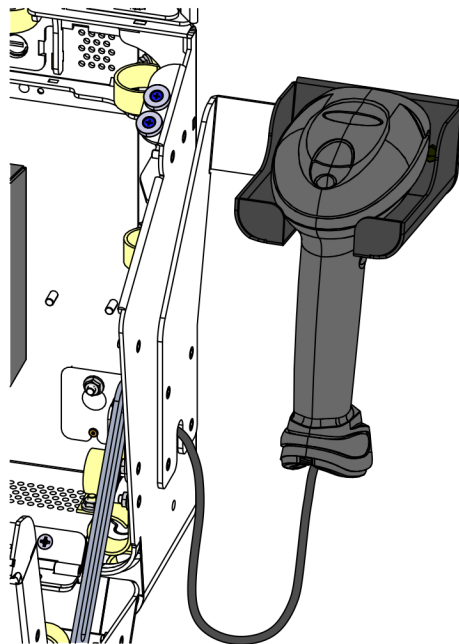
- a. Align the four mounting studs of the side arm bracket with the four mounting holes on the side of the kiosk.
- b. Secure the bracket using four M4 wing nuts.

4. Install the Scanner Mount Bracket on the Scanner Adapter Bracket.



CCP-83529

- a. Align the mounting holes of the Scanner Mount Bracket with the studs on the Scanner Adapter Bracket.
  - b. Secure the Scanner Mount Bracket using two acorn nuts.
5. Place the Handheld Scanner on the Scanner Mount Bracket.



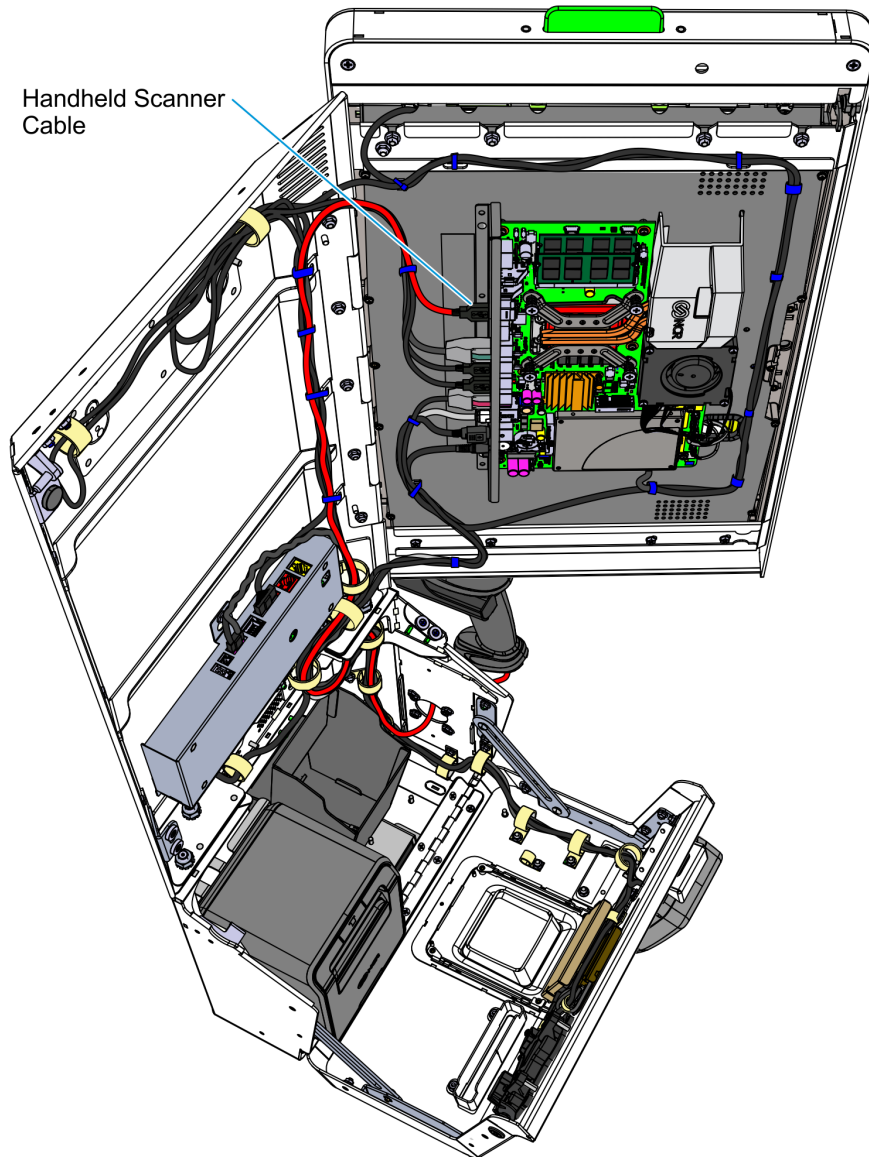
CCP-83530

## Routing the Handheld Scanner Cable

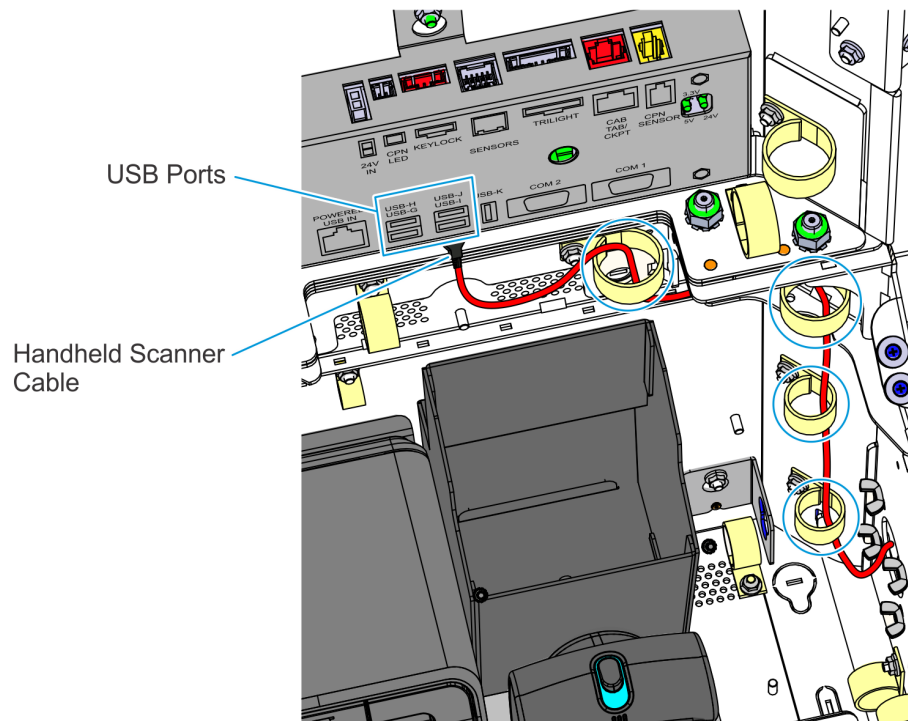
Depending on the kiosk configuration, the Handheld Scanner Cable may be connected to the Motherboard or to the Kiosk I/O Board.

To connect and route the Handheld Scanner Cable, follow these steps:

1. Do one of the following:
  - If the Handheld Scanner will not be used together with the Imaging Scanner, route the Handheld Scanner Cable toward the motherboard and connect the cable to the **USB A** port.



- If the Handheld Scanner will be used together with the Imaging Scanner, route the Handheld Scanner Cable toward the KIO Board and connect it to any vacant USB port.



CCP-83532

2. Secure the cable with cable ties and p-loops along its route.