

# Kit Instructions

PIN Pad Mount  
(Ingenico Lane 5000)

2246-K078  
Issue A



---

The product described in this document is a licensed product of NCR Corporation.

NCR is a registered trademark of NCR Corporation. NCR SelfServ™ is a trademark of NCR Corporation in the United States and/or other countries. Other product names mentioned in this publication may be trademarks or registered trademarks of their respective companies and are hereby acknowledged.

The terms HDMI and HDMI High-Definition Multimedia Interface, and the HDMI Logo are trademarks or registered trademarks of HDMI Licensing LLC in the United States and other countries.

Where creation of derivative works, modifications or copies of this NCR copyrighted documentation is permitted under the terms and conditions of an agreement you have with NCR, NCR's copyright notice must be included.

It is the policy of NCR Corporation (NCR) to improve products as new technology, components, software, and firmware become available. NCR, therefore, reserves the right to change specifications without prior notice.

All features, functions, and operations described herein may not be marketed by NCR in all parts of the world. In some instances, photographs are of equipment prototypes. Software screen images are representative, and in some cases, may not match a customer's installed software exactly. Therefore, before using this document, consult with your NCR representative or NCR office for information that is applicable and current.

To maintain the quality of our publications, we need your comments on the accuracy, clarity, organization, and value of this book. Please use the link below to send your comments.

Email: [FD230036@ncr.com](mailto:FD230036@ncr.com)

Copyright © 2021  
By NCR Corporation  
864 Spring St. NW  
Atlanta, GA 30308  
United States  
All Rights Reserved

---

## Revision Record

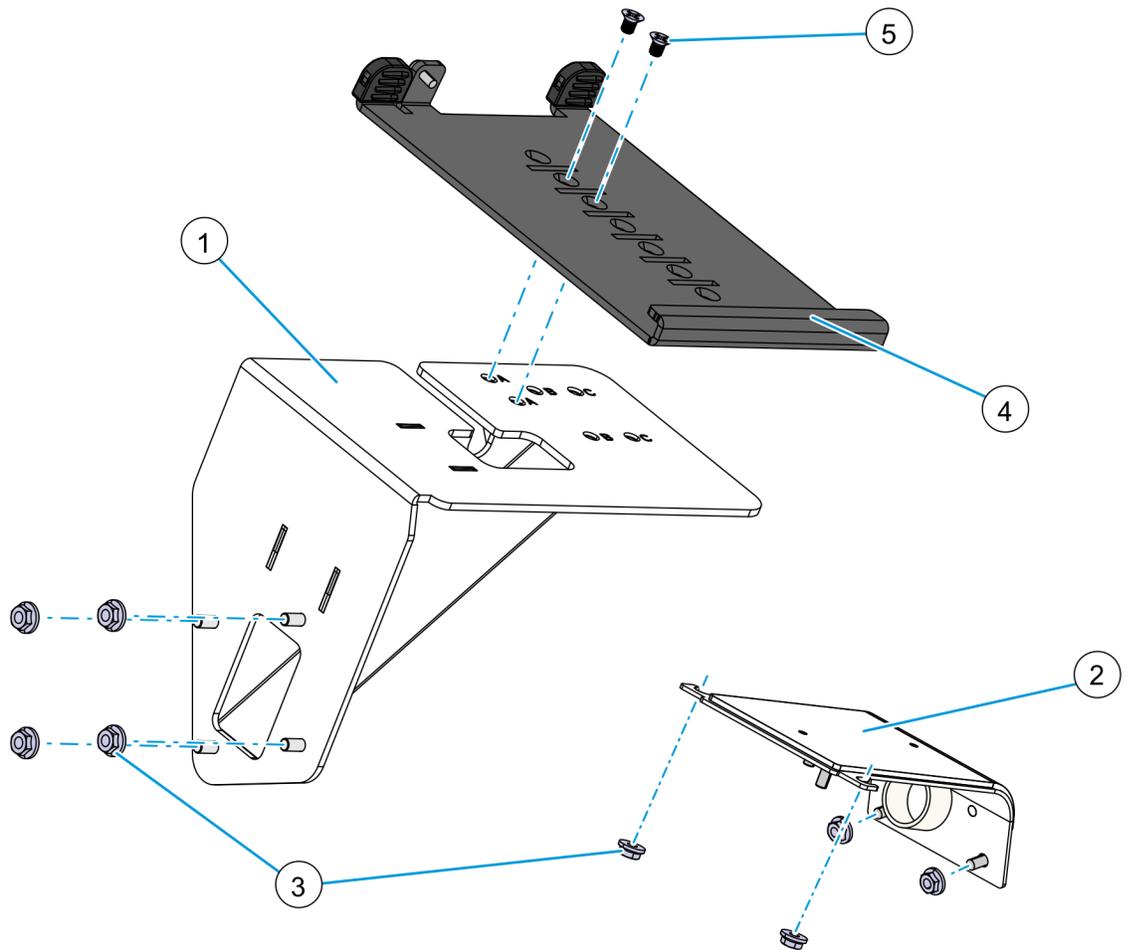
Issue	Date	Remarks
A	Feb 2021	First Issue



# PIN Pad Mount (Ingenico Lane 5000)

This publication provides procedures for installing the PIN Pad Mount for Ingenico Lane 5000 Large PIN Pad on an NCR SelfServ™ XK22 (2246) Kiosk.

## Kit Contents



CCP-80006

Part Number	Description
497-0529246	Kit - PIN Pad Mount Ingenico Lane 5000
1	795-0274301 Bracket, PIN Pad Arm, 2246
2	795-0276401 Blanking, No PIN Pad/MSR, 2246

Part Number		Description
3	009-0007087	Serrated Nut - Self Locking (M4, 4.2) (8 pcs)
4	497-0525094	PIN Pad Plate, Spacepole, Ingenico Lane 5000
5	006-8626390	Screw, Flathead, Phil, Black Oxide, M4 X 6 (2 pcs)
6*	497-0524523	XK22 Paint Color Cross Reference Document
7*	497-0423108	Instructions-Kit (Reference Sheet)



**Note:** Items marked with an asterisk (\*) are not shown in the image.

## Installation Procedures

Installing the PIN Pad Mount on an NCR XK22 Kiosk unit involves the following procedures:

1. Open the Lower Module Door and the Upper Module Door. For more information, refer to [Opening the Kiosk](#) on the next page.
2. Install the PIN Pad Arm and the PIN Pad onto the Lower Module. For more information, refer to [Installing the Ingenico Lane 5000](#) on page 8.
3. Route the PIN Pad cable. For more information, refer to [Routing the Cable for Large PIN Pads](#) on page 14.

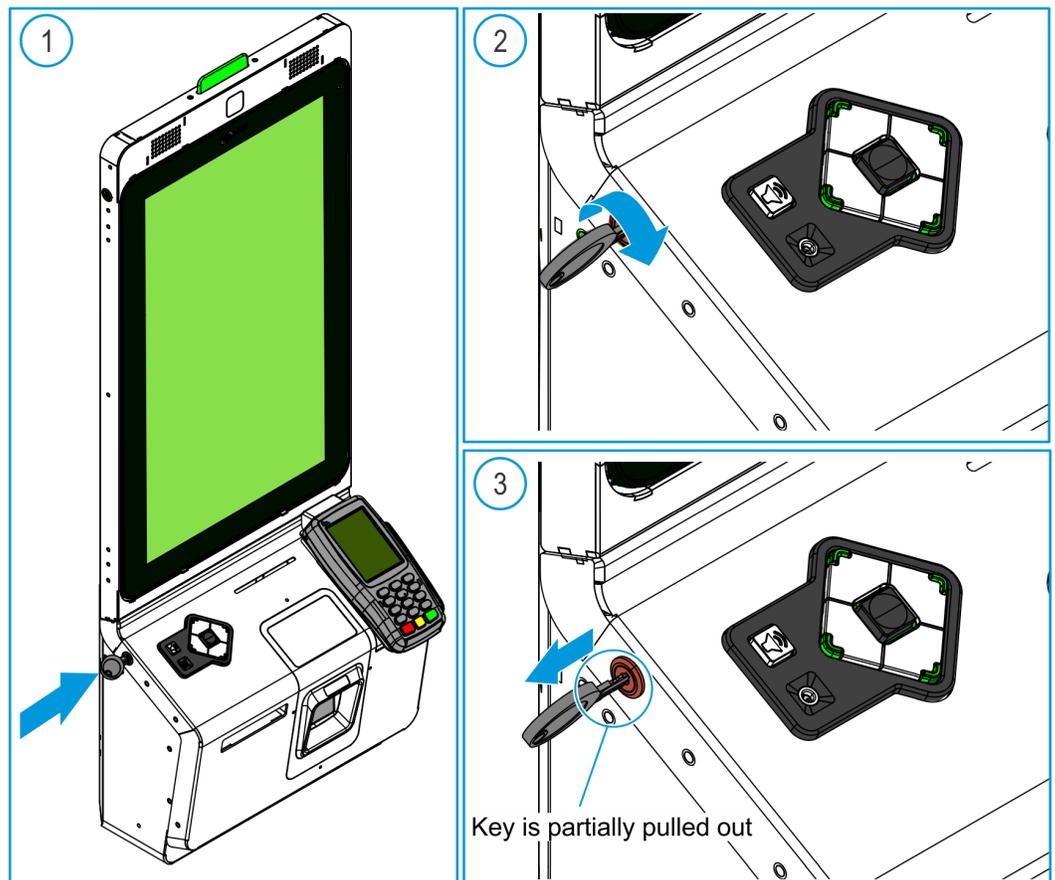
## Opening the Kiosk

To open the kiosk, follow these steps:

1. Open the Lower Module Door.
  - a. Insert the Lower Module Door key into the keyhole on the left-hand side of the kiosk, turn the key clockwise (OPEN position), and then partially pull the key (about halfway) out of the keyhole.



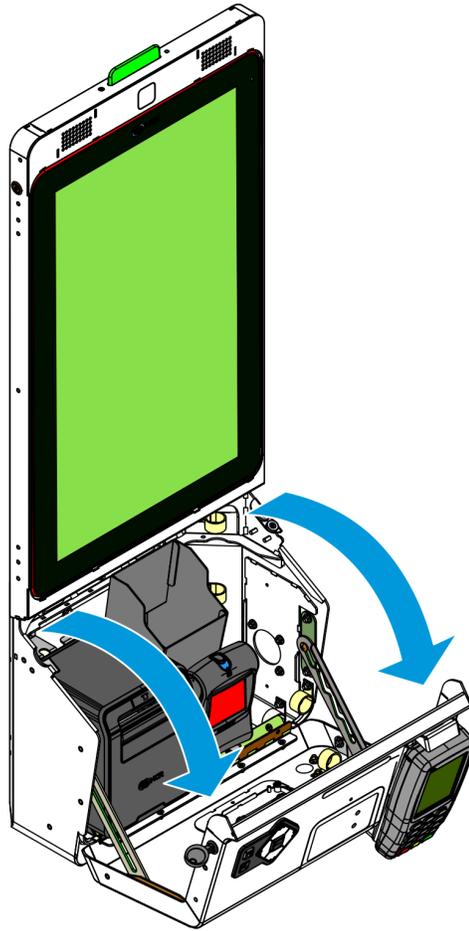
**Note:** When the key is partially out of the keyhole, the cam lock mechanism is held at the OPEN position. This technique prevents the cam lock from automatically re-engaging with the lock catch.



- b. While the key and the cam lock are at the OPEN position, grip the left and right edges of the Lower Module Door, pull the door forward, and guide the door until the door linkage is fully extended.



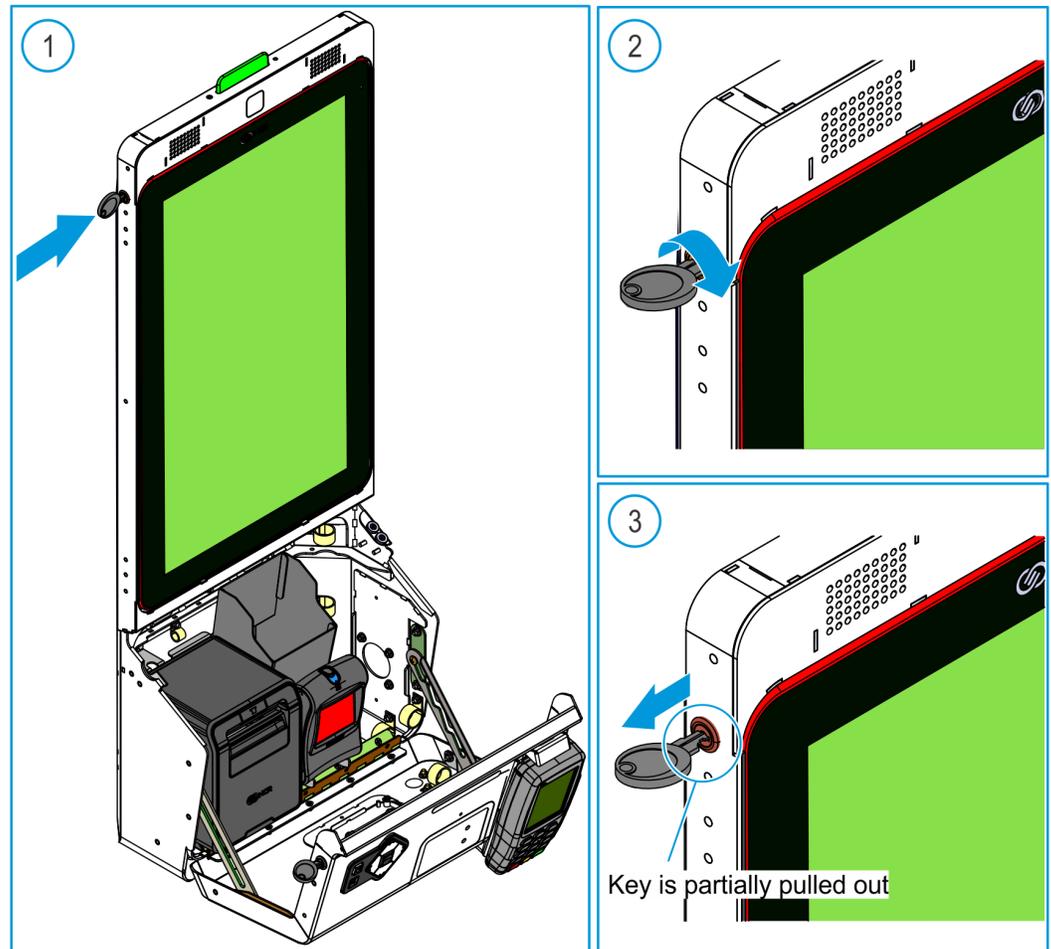
**Caution:** Do NOT abruptly open and release the Lower Module Door. Hold and support the Lower Module Door until fully extended.



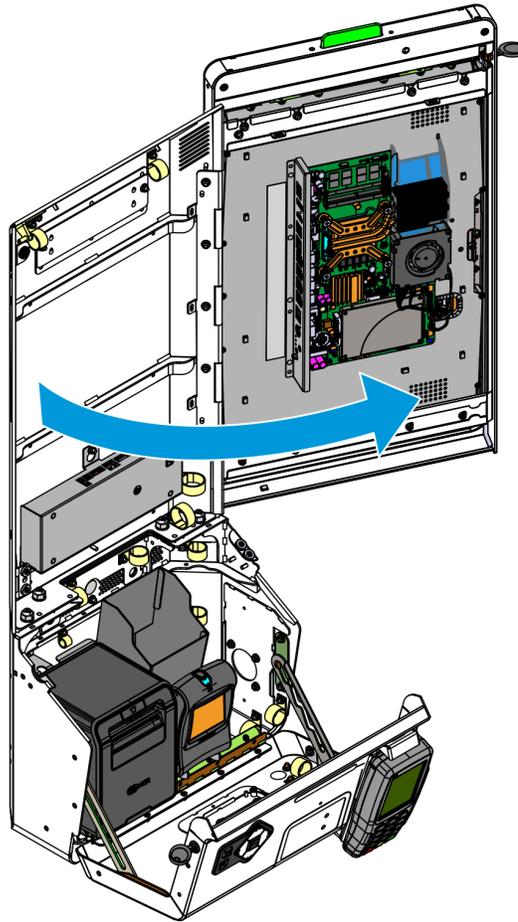
2. Open the Upper Module Door.
  - a. Insert the Upper Module Door key into the lock on the left-hand side of the kiosk, turn the key clockwise (OPEN position), and then partially pull the key (about halfway) out of the keyhole.



**Note:** When the key is partially out of the keyhole, the cam lock mechanism is held at the OPEN position. This technique prevents the cam lock from automatically re-engaging with the lock catch.



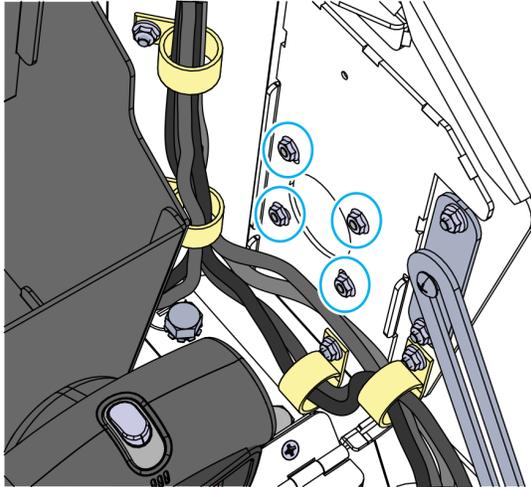
- b. While the key and the cam lock are at the OPEN position, grip the left edge of the Upper Module Door and pull the door forward.



## Installing the Ingenico Lane 5000

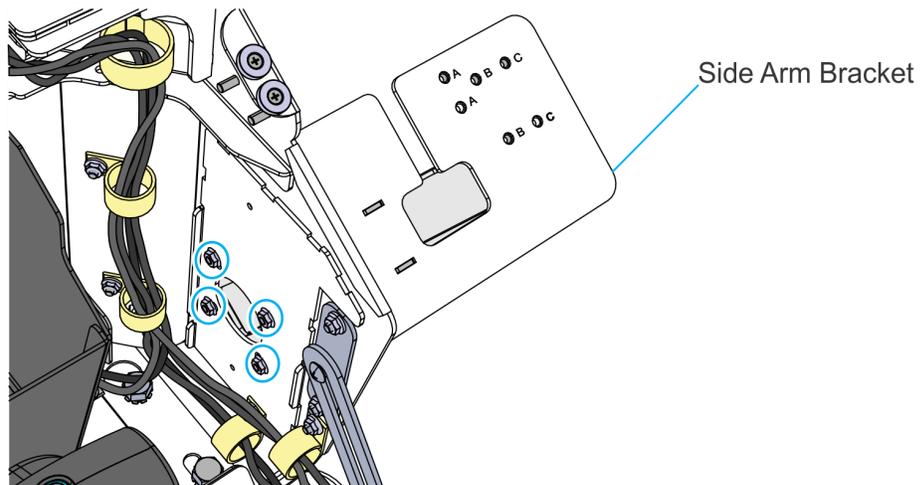
To install the Ingenico Lane 5000 PIN Pad, follow these steps:

1. Remove the four M4 hex nuts that secure the square cover on the side of the kiosk.



CCP-77936

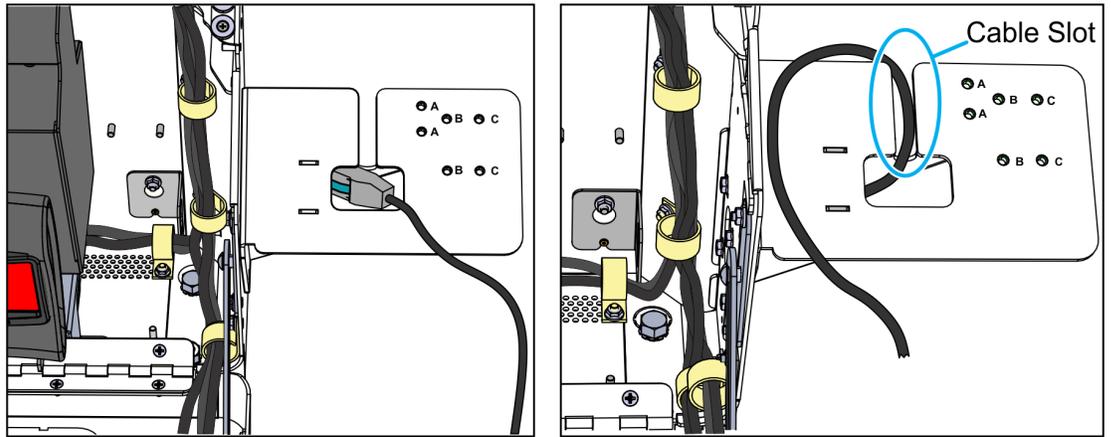
2. Mount the side arm bracket onto the side of the kiosk.



CCP-77937

- a. Align the four mounting studs of the side arm bracket with the four mounting holes on the side of the kiosk.
- b. Secure the bracket using four M4 hex nuts.

3. Insert the PIN Pad cable through the cable access hole on the PIN Pad Arm and position it onto the cable slot.



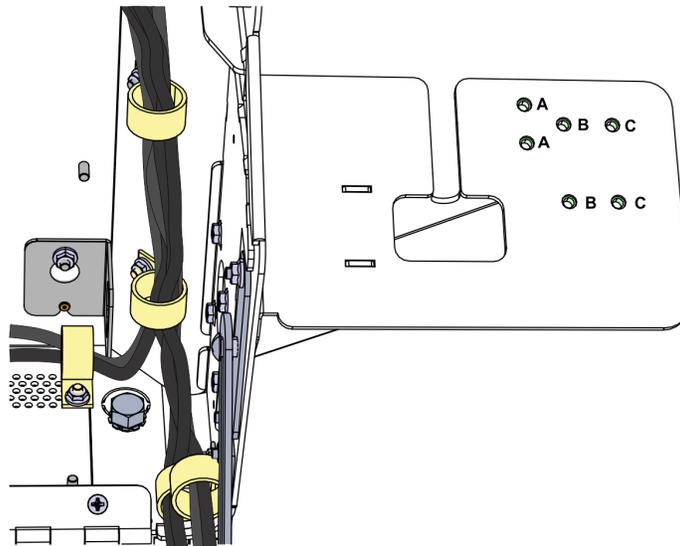
CCP-77938

4. Install the MultiGrip Plate on the PIN Pad Arm.



**Caution:** Ensure that the PIN Pad cable is not pinched.

- a. Align the **second** and **third** mounting holes of the MultiGrip Plate with the mounting holes "A" on the PIN Pad Arm.



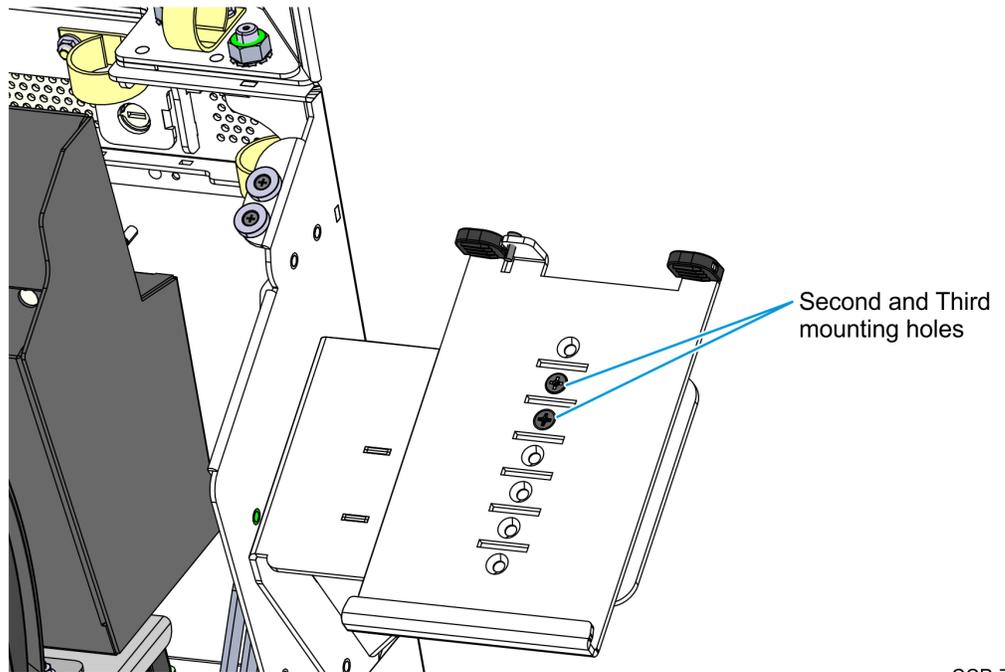
A: Ingenico iSC250  
and Lane 5000

B: Verifone MX915

C: Verifone MX925

CCP-77939

- b. Secure the MultiGrip Plate to the PIN Pad Arm using two screws.

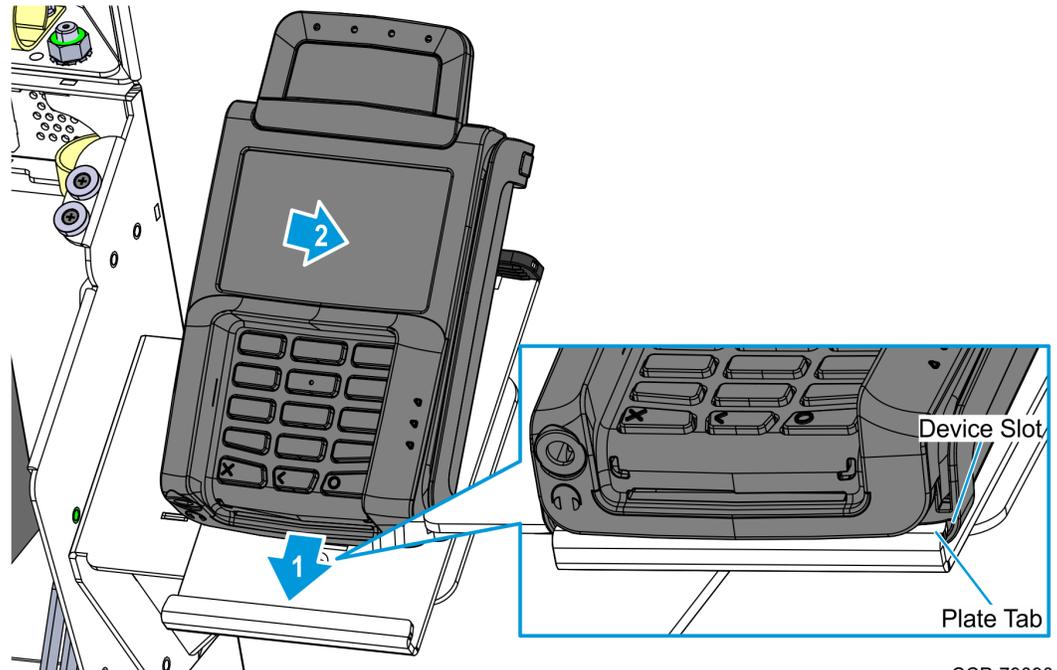


CCP-79891

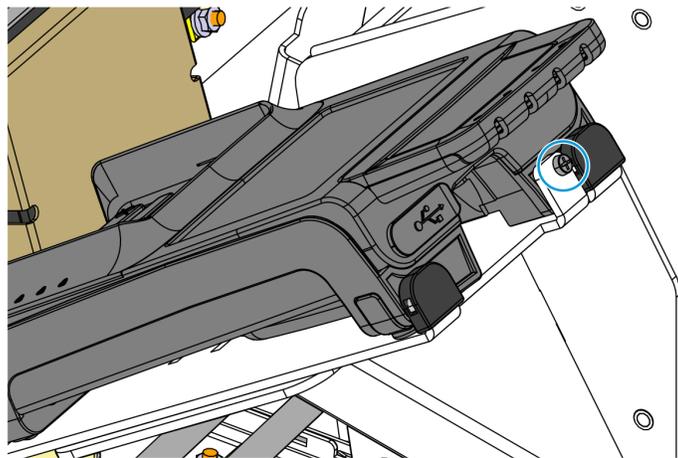
5. Install the PIN Pad on the MultiGrip Plate.
  - a. Connect the PIN Pad Cable to the PIN Pad device.
  - b. To mount the PIN Pad onto the MultiGrip Plate, insert the tab of the MultiGrip Plate into the device slot of the Ingenico Lane 5000 PIN Pad and then push the PIN Pad flat against the plate.



**Note:** Ensure that the PIN Pad is properly hooked to the MultiGrip Plate.

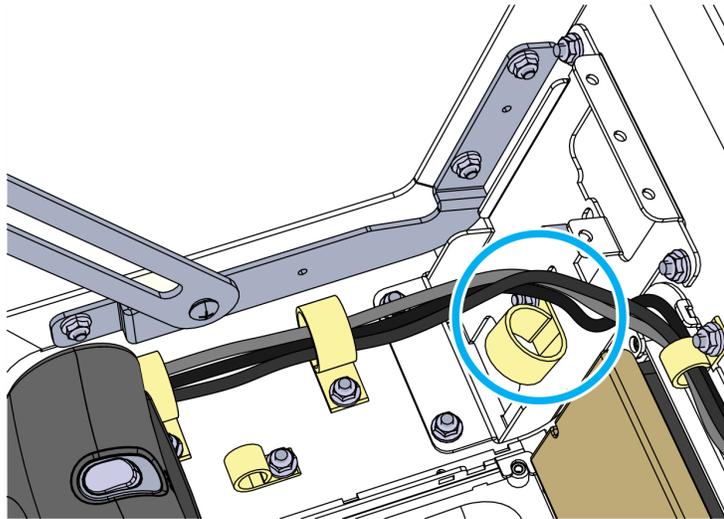


- c. Tighten the M3 screw to secure the PIN Pad to the MultiGrip Plate.



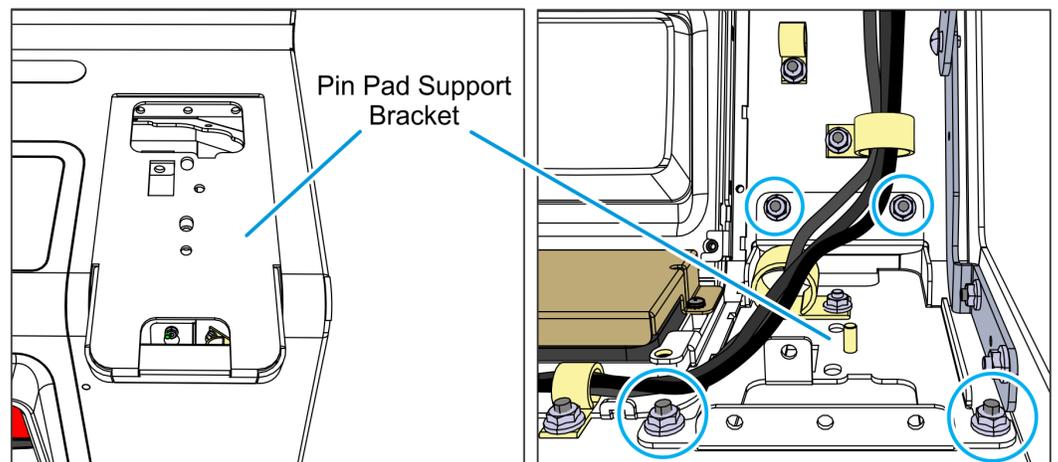
6. From inside the kiosk, pull the PIN Pad Cable so it does not hang loosely outside the kiosk.

7. Route and connect the PIN Pad cable to the motherboard. For more information, refer to [Routing the Cable for Large PIN Pads](#) on page 14.
8. Remove the Small PIN Pad Support Bracket.
  - a. Remove the cable bundle from the p-loop indicated in the following image.



CCP-77942

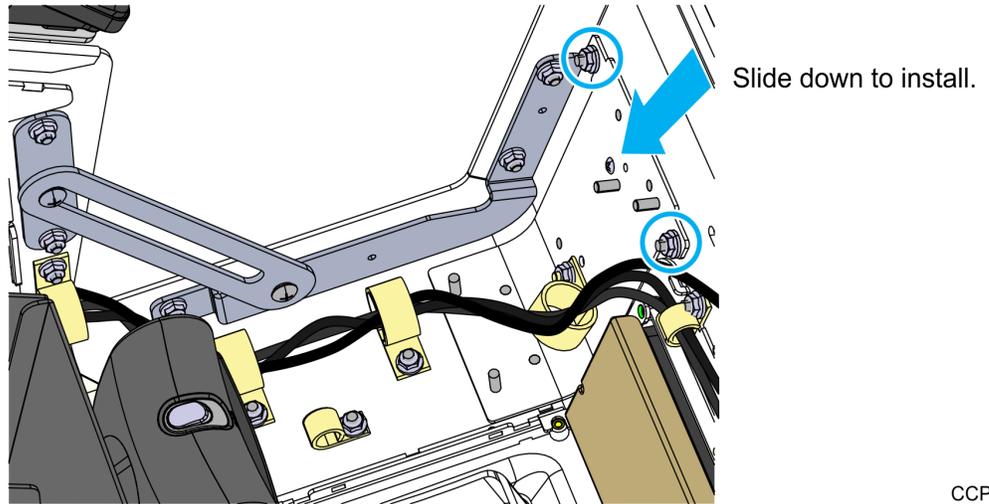
- b. Remove the two bottom nuts and loosen the two upper nuts, and then slide up the Small PIN Pad Support Bracket to remove it from the unit.



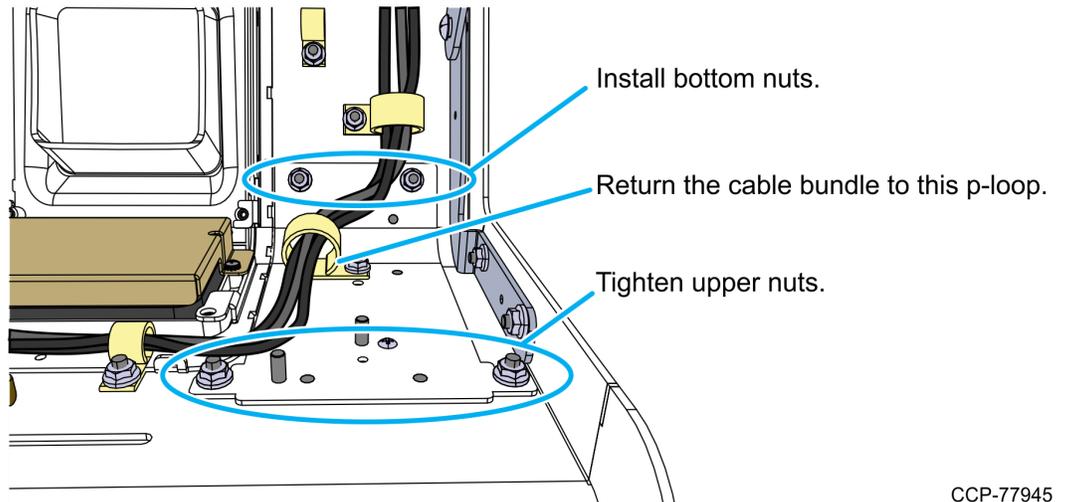
CCP-77943

9. Mount the Small PIN Pad Cover onto the Lower Module Door.

- a. Slide down the hooks of the Small PIN Pad Cover onto the upper mounting studs.



- b. Tighten the two upper nuts and install the two bottom nuts, and then return the cable bundle into the p-loop.



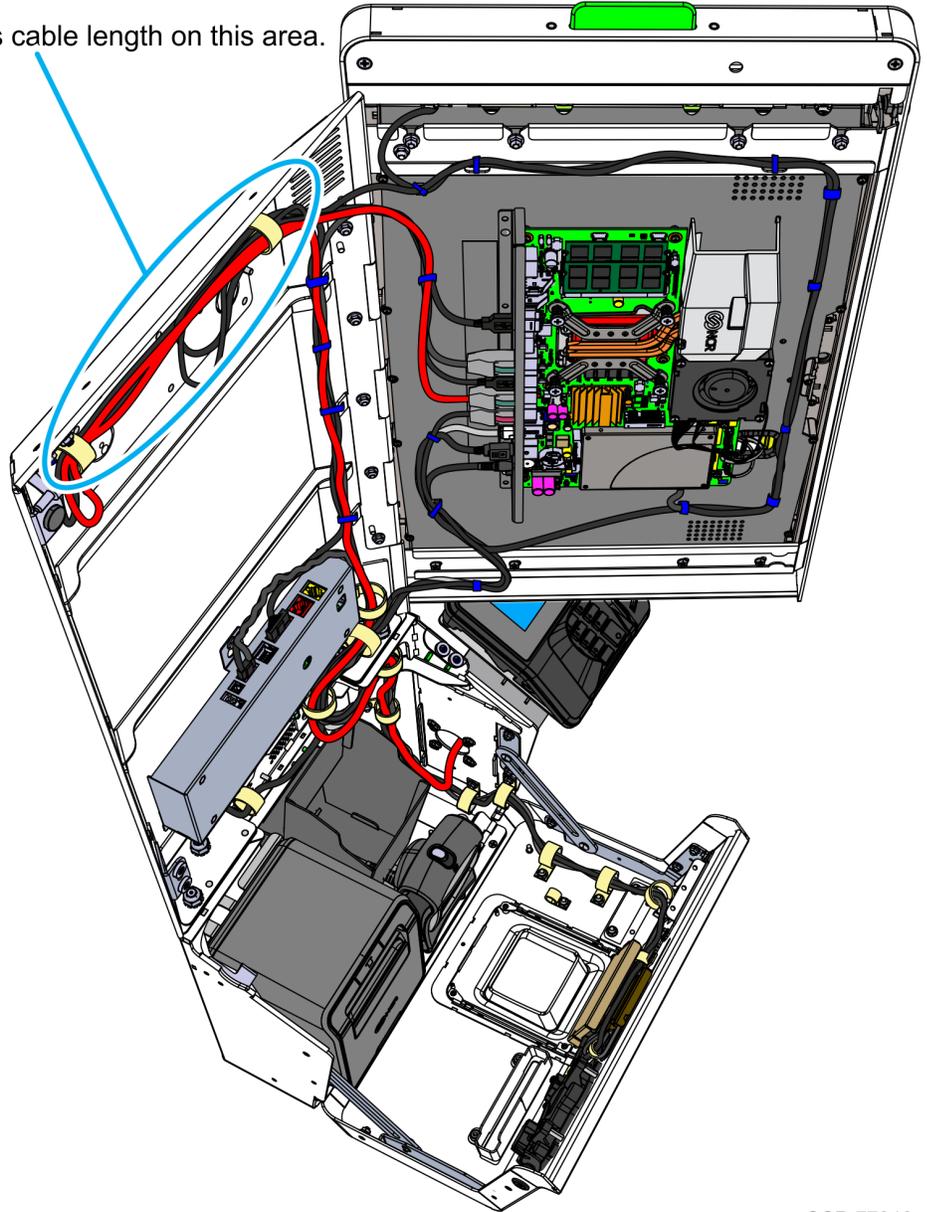
## Routing the Cable for Large PIN Pads

1. Route the PIN Pad cable toward the Ebox and connect it to the **USB E** port.



**Note:** Route and bundle extra cable length on the area indicated in the following image.

Bundle excess cable length on this area.



CCP-77946

2. Secure the cable with cable ties and p-loops along its route.