

# Kit Instructions

PIN Pad Mount (Equinox 6200M)

2246-K077  
Issue A



---

The product described in this document is a licensed product of NCR Corporation.

NCR is a registered trademark of NCR Corporation. NCR SelfServ™ is a trademark of NCR Corporation in the United States and/or other countries. Other product names mentioned in this publication may be trademarks or registered trademarks of their respective companies and are hereby acknowledged.

The terms HDMI and HDMI High-Definition Multimedia Interface, and the HDMI Logo are trademarks or registered trademarks of HDMI Licensing LLC in the United States and other countries.

Where creation of derivative works, modifications or copies of this NCR copyrighted documentation is permitted under the terms and conditions of an agreement you have with NCR, NCR's copyright notice must be included.

It is the policy of NCR Corporation (NCR) to improve products as new technology, components, software, and firmware become available. NCR, therefore, reserves the right to change specifications without prior notice.

All features, functions, and operations described herein may not be marketed by NCR in all parts of the world. In some instances, photographs are of equipment prototypes. Software screen images are representative, and in some cases, may not match a customer's installed software exactly. Therefore, before using this document, consult with your NCR representative or NCR office for information that is applicable and current.

To maintain the quality of our publications, we need your comments on the accuracy, clarity, organization, and value of this book. Please use the link below to send your comments.

Email: [FD230036@ncr.com](mailto:FD230036@ncr.com)

Copyright © 2020  
By NCR Corporation  
864 Spring St. NW  
Atlanta, GA 30308  
United States  
All Rights Reserved

---

## Revision Record

Issue	Date	Remarks
A	Jul 2020	First Issue



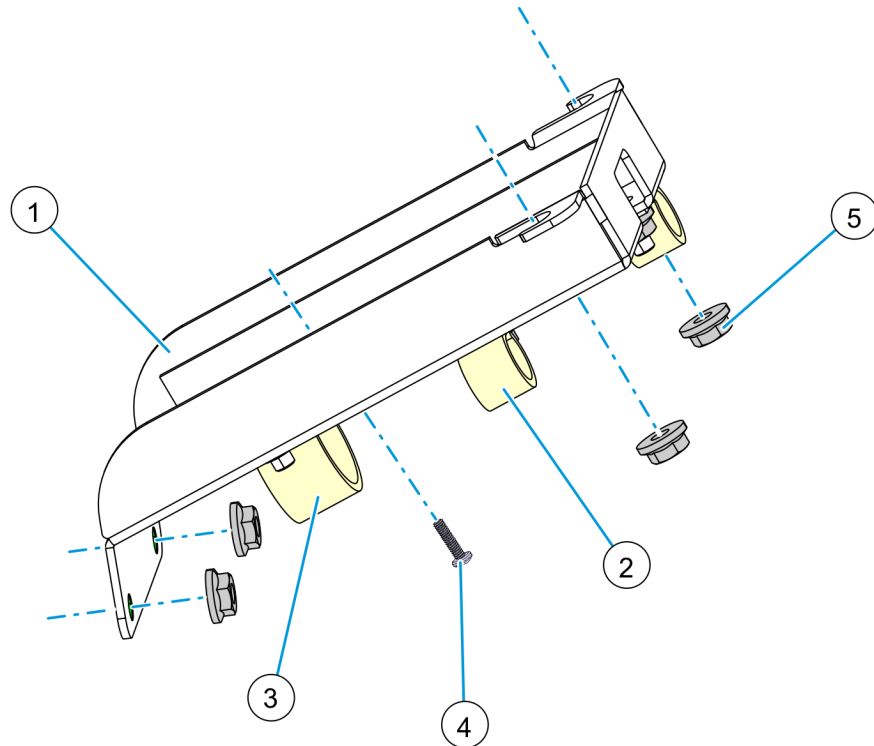
---

# PIN Pad Mount (Equinox 6200M)

---

This publication provides procedures for installing the PIN Pad Mount for Equinox 6200M on an NCR SelfServ™ XK22 (2246) Kiosk.

# Kit Contents



CCP-79194

Part Number		Description
497-0526285		Kit - PIN Pad Mount Equinox 6200M
1	795-0276101	Mount, PIN Pad, Equinox, 2246
2	006-8616847	Clamp - Cable (Open P-Loop), 3/8" ID, Nylon, Natural (2 pcs)
3	006-8616844	Clamp - Cable (Open P-Loop), 3/4" ID, Nylon, Natural
4	006-8627594	Screw, M2X0.40, 8mm Length, Pan Head, Zinc Plated (2 pcs)
5	009-0007087	Serrated Nut - Self Locking (M4, 4.2) (7 pcs)
6*	497-0524523	XK22 Paint Color Cross Reference Document
7*	497-0423108	Instructions-Kit (Reference Sheet)

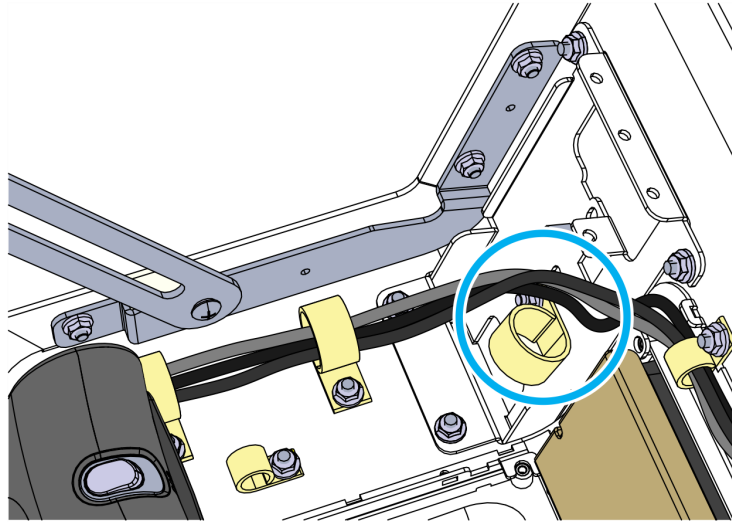


**Note:** Items marked with an asterisk (\*) are not shown in the image.

# Installation Procedures

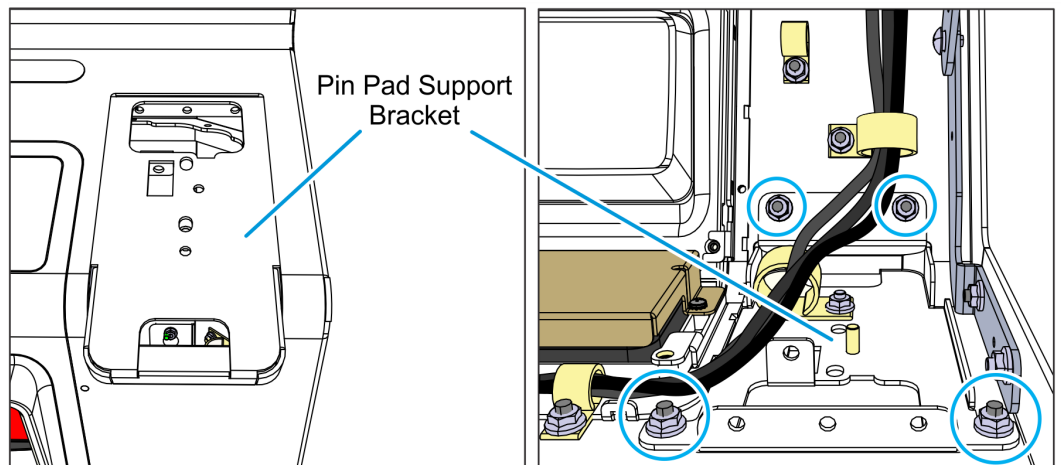
Installing the PIN Pad Mount on an NCR XK22 Kiosk unit involves the following procedures:

1. Open the Lower Module Door and the Upper Module Door. For more information, refer to [Opening the Kiosk](#) on page 9.
2. If the Small PIN Pad Support Bracket is installed, remove it from the kiosk.
  - a. Remove the cable bundle from the p-loop indicated in the following image.



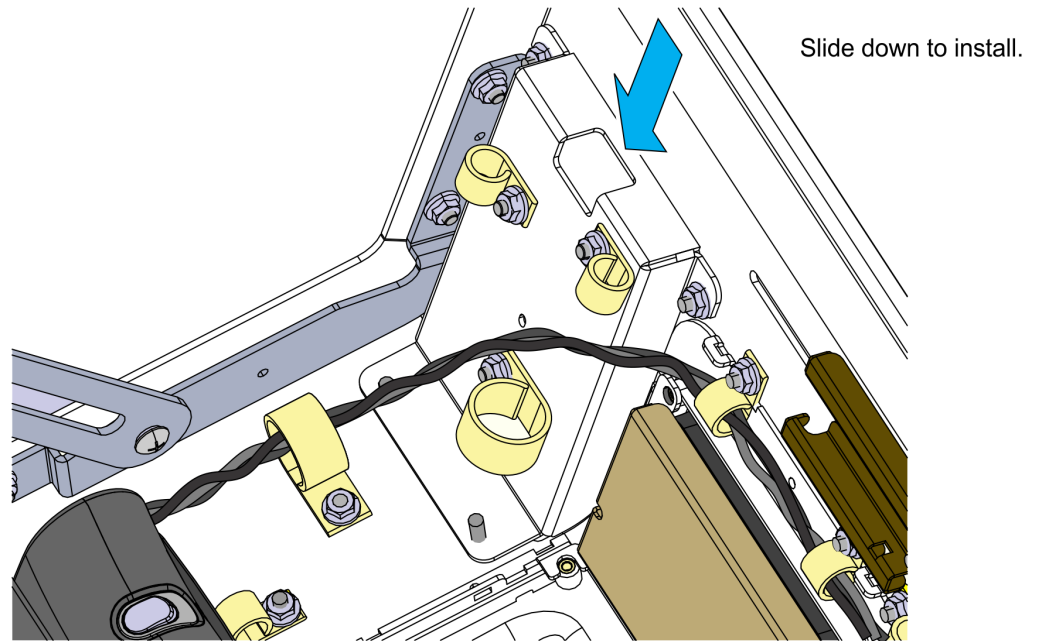
CCP-77942

- b. Remove the two bottom nuts and loosen the two upper nuts, and then slide up the Small PIN Pad Support Bracket to remove it from the unit.

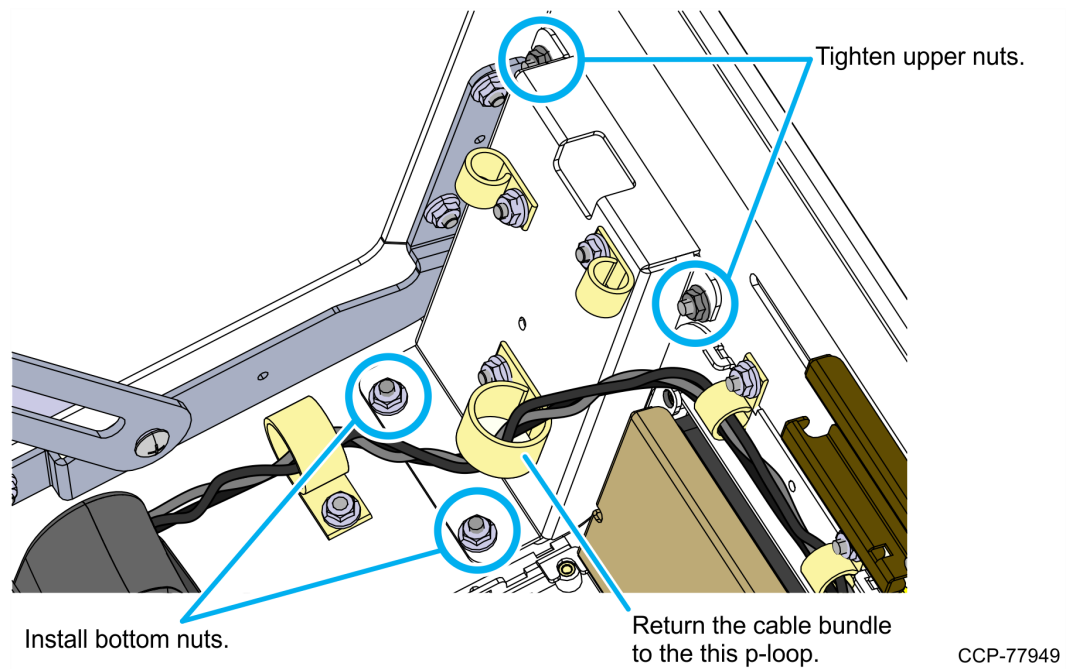


CCP-77943

3. Mount the Equinox 6200M bracket onto the Lower Module Door.
  - a. Slide down the hooks of the Equinox 6200M bracket onto the upper mounting studs.

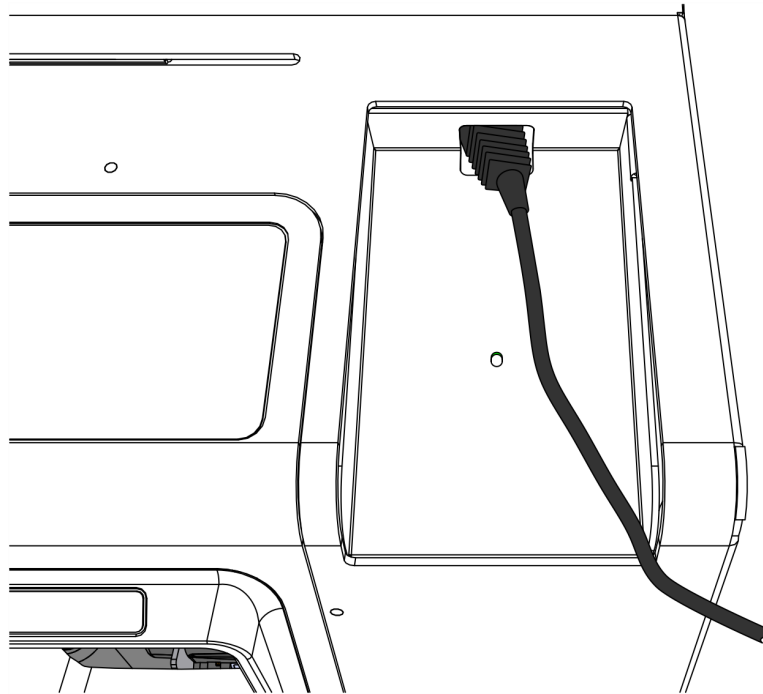


- b. Tighten the two upper nuts and install the two bottom nuts, and then return the cable bundle into the p-loop.





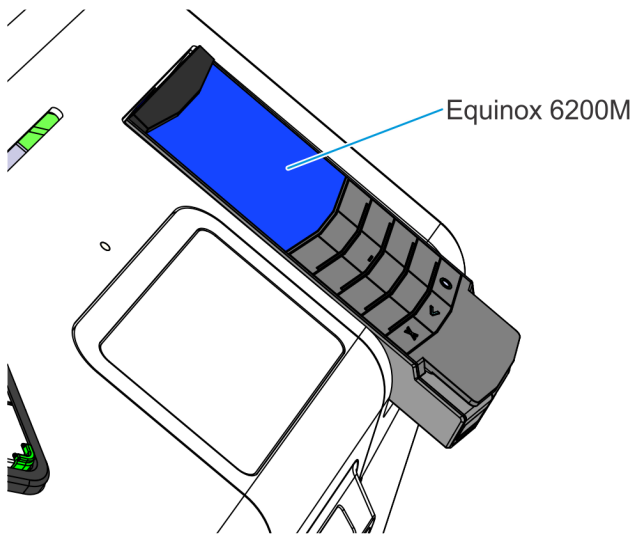
4. Insert the small connector of the Equinox 6200M cable into the bracket hole.



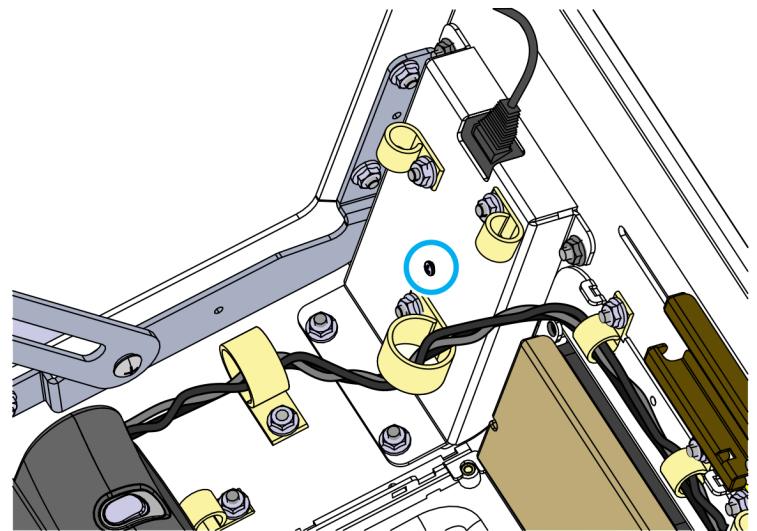
CCP-77950

5. Install the Equinox 6200M on the bracket and secure it with an M2 screw.

 **Caution:** Ensure that the PIN Pad cable is not pinched.



Front View



Back View

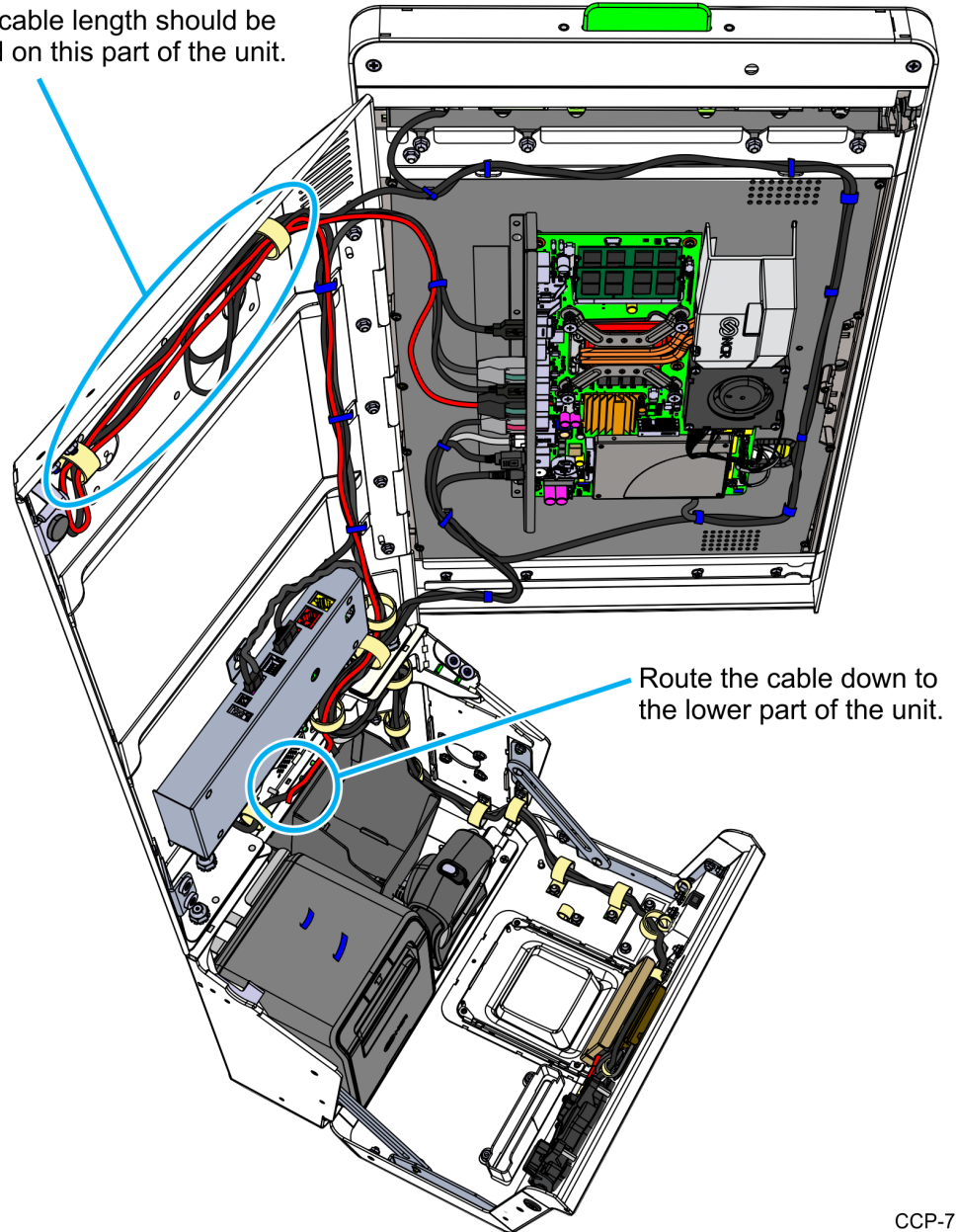
CCP-79195

- Route and connect the Equinox 6200M Powered USB cable to the **USB E** port of the motherboard.

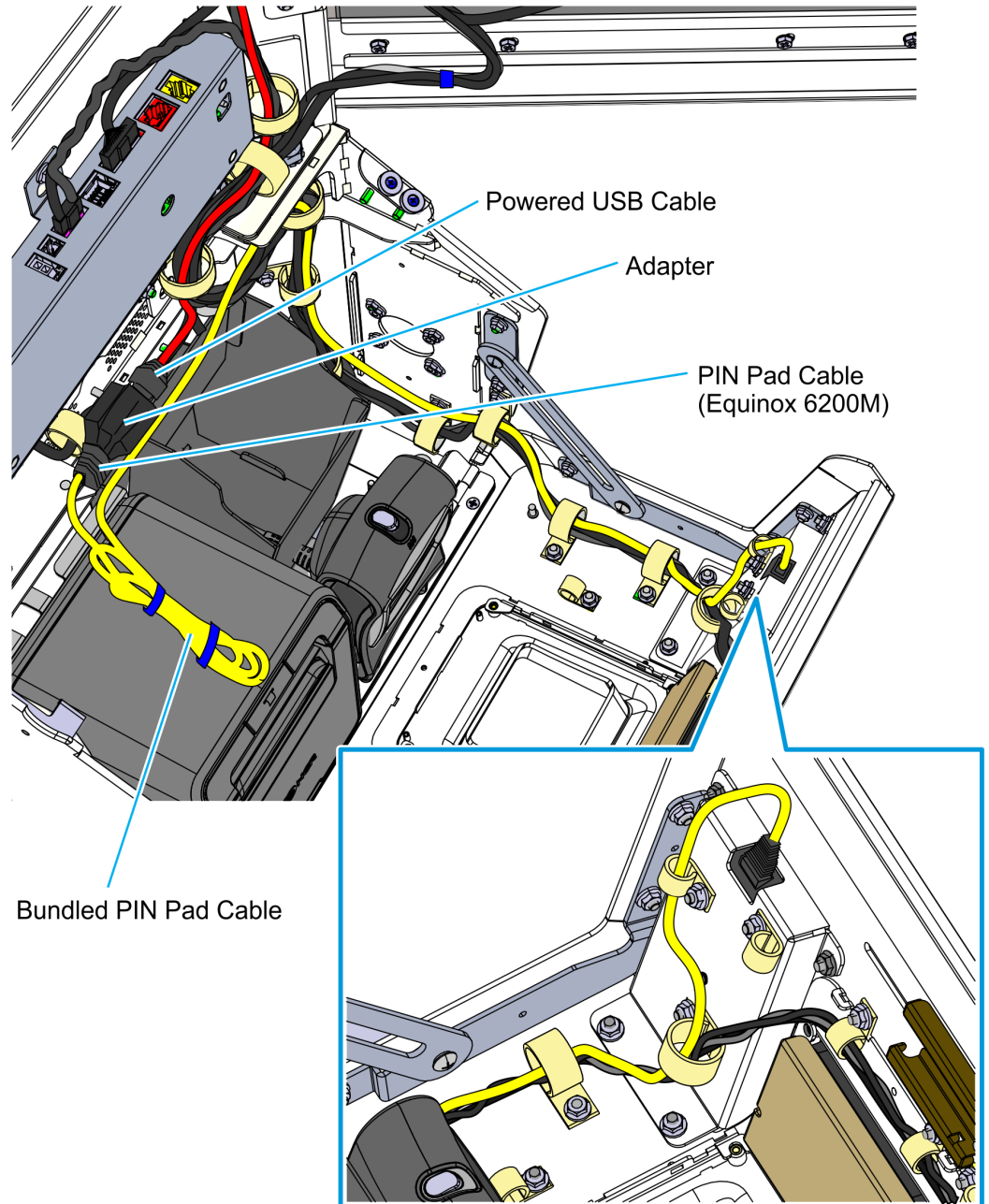


**Note:** Route and bundle extra cable length on the area indicated in the following image, and then secure the cable with cable ties and p-loops along its route.

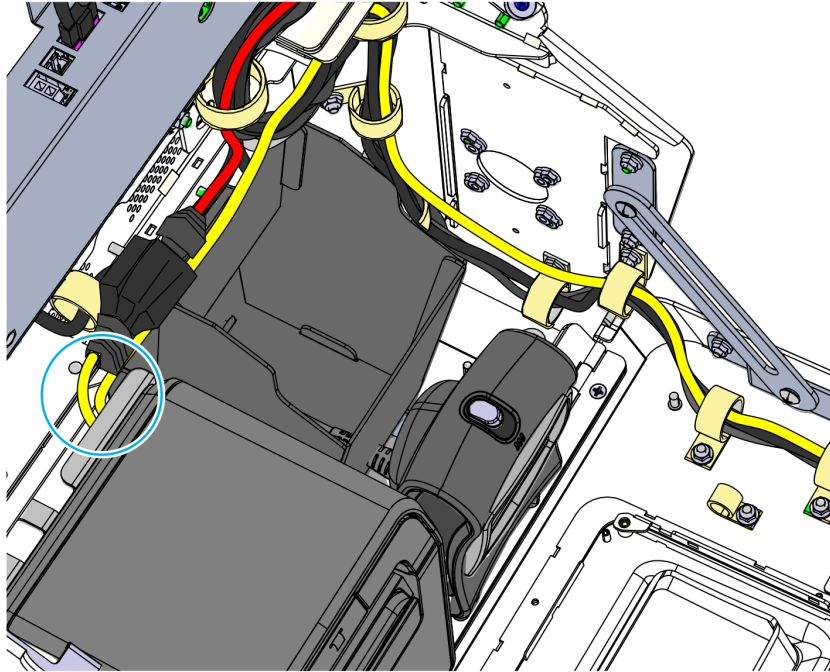
Extra cable length should be routed on this part of the unit.



7. Connect the Equinox 6200M cable to the Powered USB cable.
  - a. Route the Equinox 6200M cable towards the Printer area.
  - b. Connect the Equinox 6200M cable to its Adapter, and then connect the Adapter to the Powered USB cable.
  - c. Bundle the extra cable length as shown in the following image.

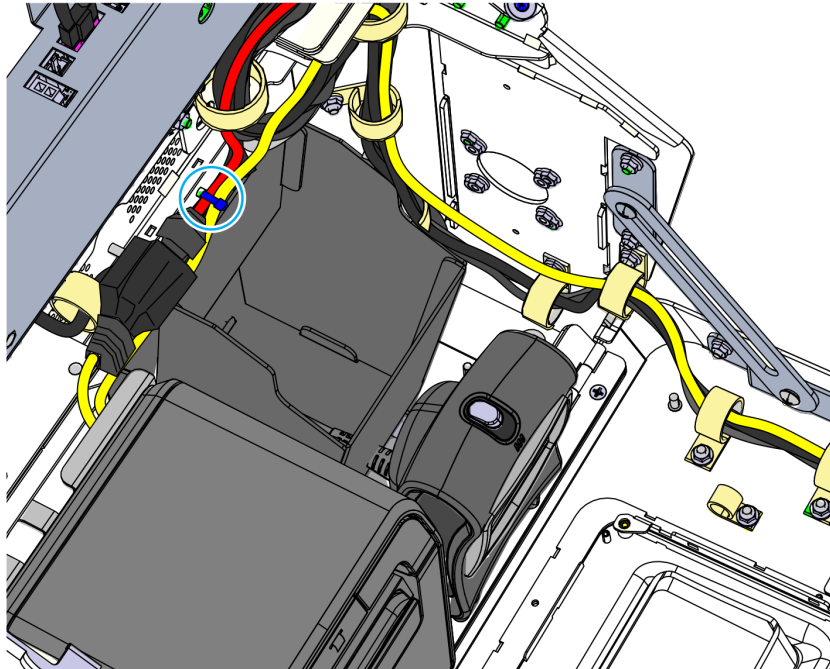


- d. Tuck the cable bundle at the back of the printer bracket.



CCP-78408

- e. Use a cable tie to secure the cable bundle as shown in the following image.



CCP-78409

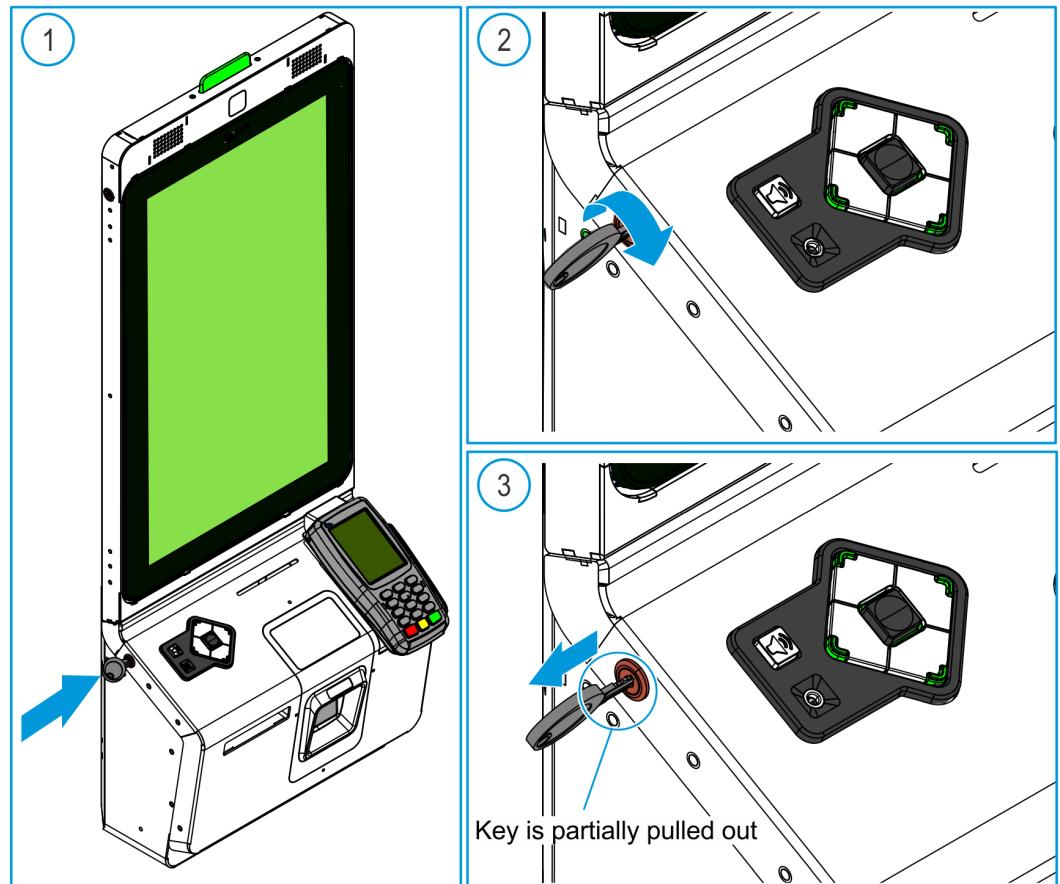
## Opening the Kiosk

To open the kiosk, follow these steps:

1. Open the Lower Module Door.
  - a. Insert the Lower Module Door key into the keyhole on the left-hand side of the kiosk, turn the key clockwise (OPEN position), and then partially pull the key (about halfway) out of the keyhole.



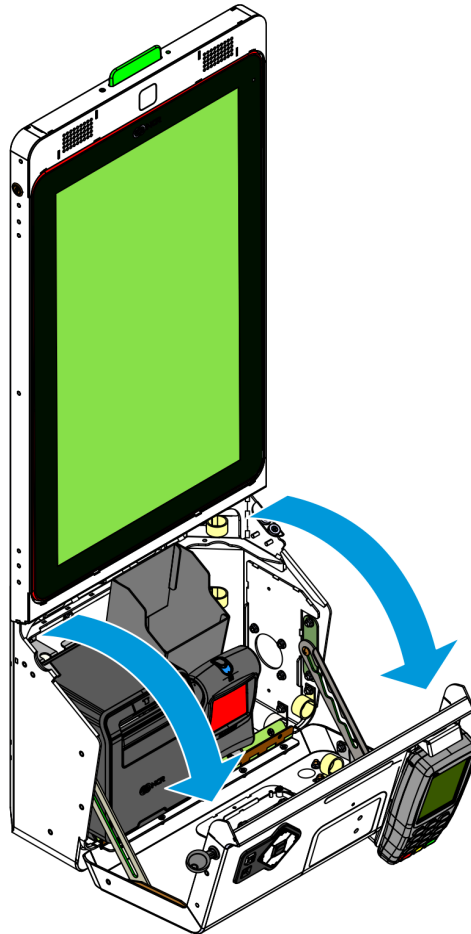
**Note:** When the key is partially out of the keyhole, the cam lock mechanism is held at the OPEN position. This technique prevents the cam lock from automatically re-engaging with the lock catch.



- b. While the key and the cam lock are at the OPEN position, grip the left and right edges of the Lower Module Door, pull the door forward, and guide the door until the door linkage is fully extended.



**Caution:** Do NOT abruptly open and release the Lower Module Door. Hold and support the Lower Module Door until fully extended.

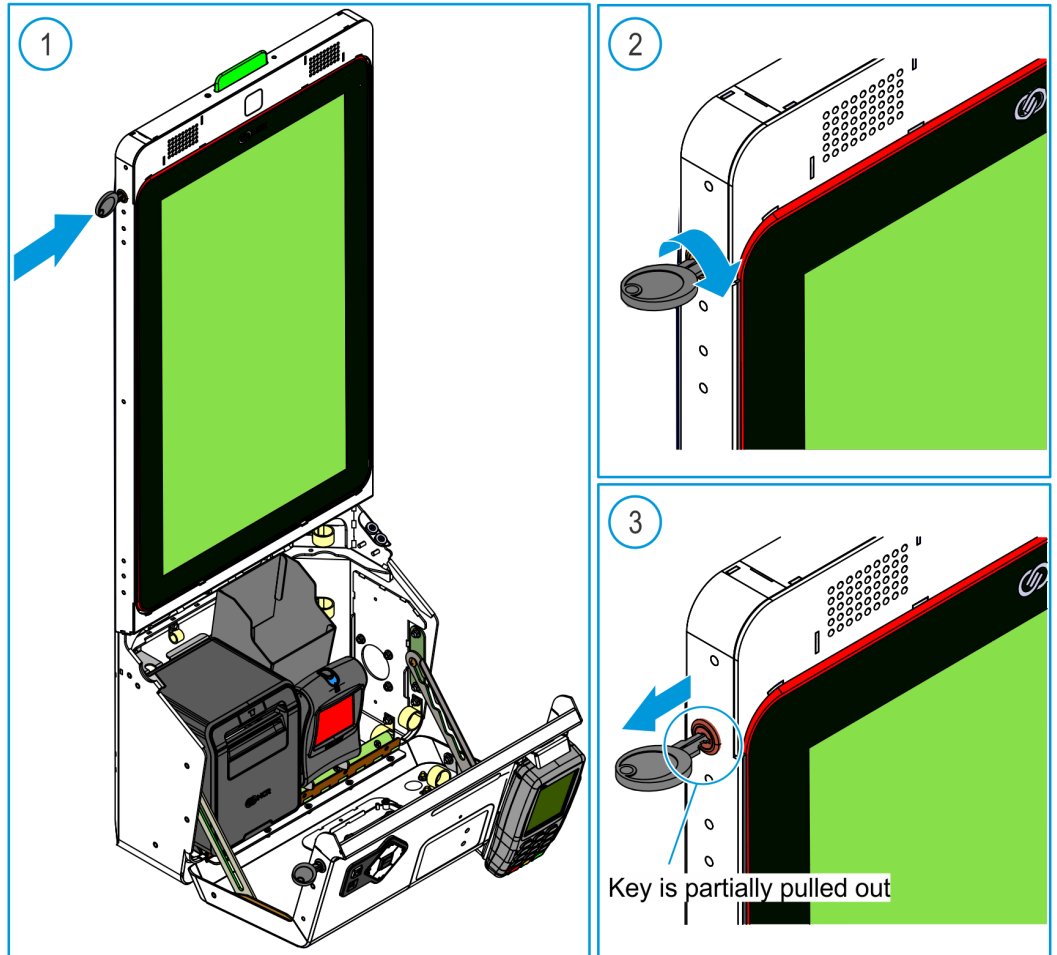


2. Open the Upper Module Door.

- a. Insert the Upper Module Door key into the lock on the left-hand side of the kiosk, turn the key clockwise (OPEN position), and then partially pull the key (about halfway) out of the keyhole.



**Note:** When the key is partially out of the keyhole, the cam lock mechanism is held at the OPEN position. This technique prevents the cam lock from automatically re-engaging with the lock catch.



- b. While the key and the cam lock are at the OPEN position, grip the left edge of the Upper Module Door and pull the door forward.

