

Kit Instructions

Magtek MSR

2246-K076
Issue A



The product described in this document is a licensed product of NCR Corporation.

NCR is a registered trademark of NCR Corporation. NCR SelfServ™ is a trademark of NCR Corporation in the United States and/or other countries. Other product names mentioned in this publication may be trademarks or registered trademarks of their respective companies and are hereby acknowledged.

The terms HDMI and HDMI High-Definition Multimedia Interface, and the HDMI Logo are trademarks or registered trademarks of HDMI Licensing LLC in the United States and other countries.

Where creation of derivative works, modifications or copies of this NCR copyrighted documentation is permitted under the terms and conditions of an agreement you have with NCR, NCR's copyright notice must be included.

It is the policy of NCR Corporation (NCR) to improve products as new technology, components, software, and firmware become available. NCR, therefore, reserves the right to change specifications without prior notice.

All features, functions, and operations described herein may not be marketed by NCR in all parts of the world. In some instances, photographs are of equipment prototypes. Software screen images are representative, and in some cases, may not match a customer's installed software exactly. Therefore, before using this document, consult with your NCR representative or NCR office for information that is applicable and current.

To maintain the quality of our publications, we need your comments on the accuracy, clarity, organization, and value of this book. Please use the link below to send your comments.

Email: FD230036@ncr.com

Copyright © 2019
By NCR Corporation
864 Spring St. NW
Atlanta, GA 30308
United States
All Rights Reserved

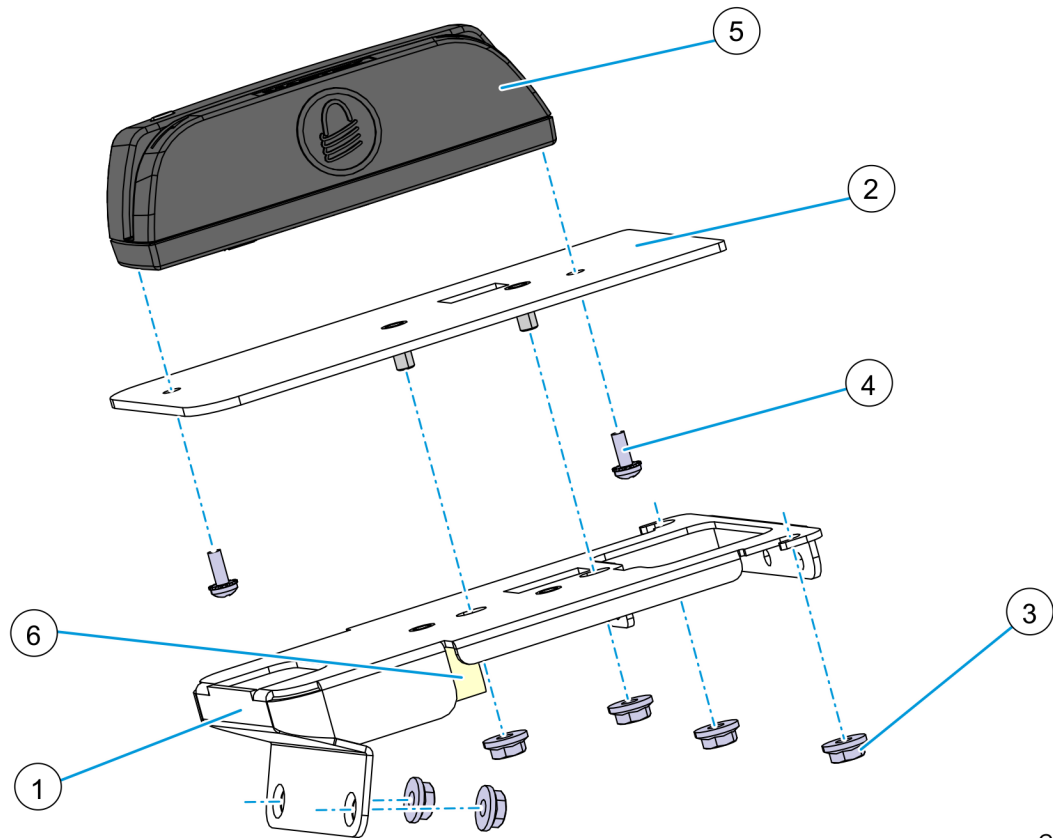
Revision Record

Issue	Date	Remarks
A	Dec 2019	First Issue

Magtek MSR

This publication provides procedures for installing the Magtek MSR on an NCR SelfServ™ XK22 (2246) Kiosk.

Kit Contents



CCP-78121

Part Number		Description
497-0526284		Kit - Magtek MSR
1	795-0275801	Bracket, Support, Base, PIN Pad, 2246
2	795-0276001	Plate, Mount, MSR, 2246
3	009-0007087	Serrated Nut - Self Locking (M4, 4.2) (8 pcs)
4	006-8611319	Screw, M3X8, Sems, Phil, Pan, Stl, Black (2 pcs)
5	006-8626875	MSR, USB-HID, 5V, Security Level 3 (Encrypted)
6	006-8616844	Clamp - Cable (Open p-Loop), 3/4" ID, Nylon, Natural

Installation Procedures

Installing the Magtek MSR on an NCR XK22 Kiosk unit involves the following procedures:

1. Open the Lower Module Door and the Upper Module Door. For more information, refer to [Opening the Kiosk](#) on the facing page.
2. Install the Magtek MSR kit onto the Lower Module. For more information, refer to [Installing the Magtek MSR](#) on page 7
3. Route the PIN Pad cable. For more information, refer to [Routing the Cable for MSR and Small PIN Pads](#) on page 10.

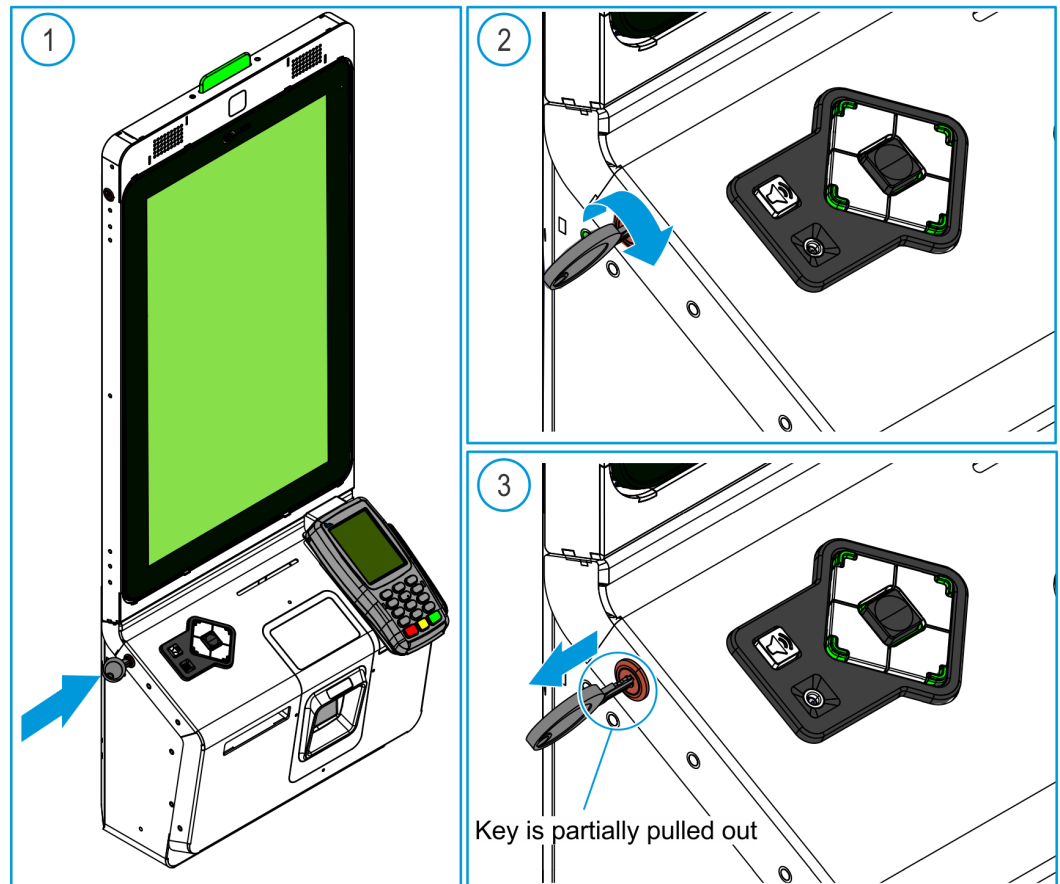
Opening the Kiosk

To open the kiosk, follow these steps:

1. Open the Lower Module Door.
 - a. Insert the Lower Module Door key into the keyhole on the left-hand side of the kiosk, turn the key clockwise (OPEN position), and then partially pull the key (about halfway) out of the keyhole.



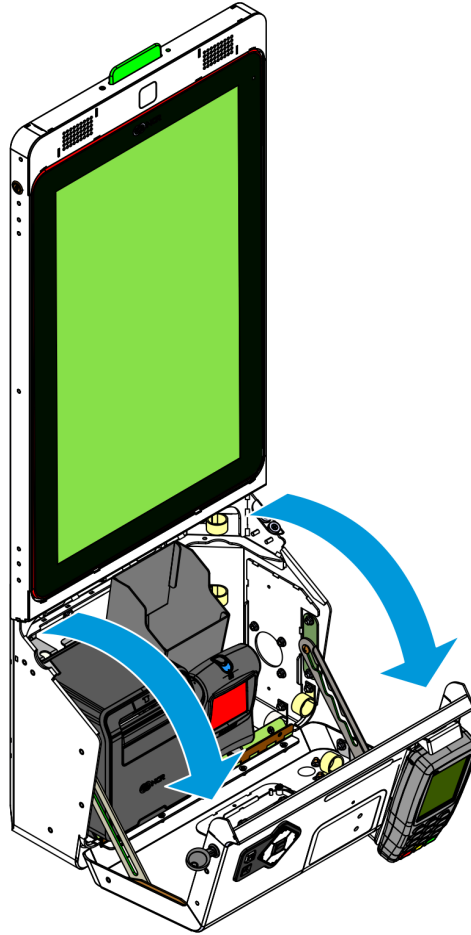
Note: When the key is partially out of the keyhole, the cam lock mechanism is held at the OPEN position. This technique prevents the cam lock from automatically re-engaging with the lock catch.



- b. While the key and the cam lock are at the OPEN position, grip the left and right edges of the Lower Module Door, pull the door forward, and guide the door until the door linkage is fully extended.



Caution: Do NOT abruptly open and release the Lower Module Door. Hold and support the Lower Module Door until fully extended.

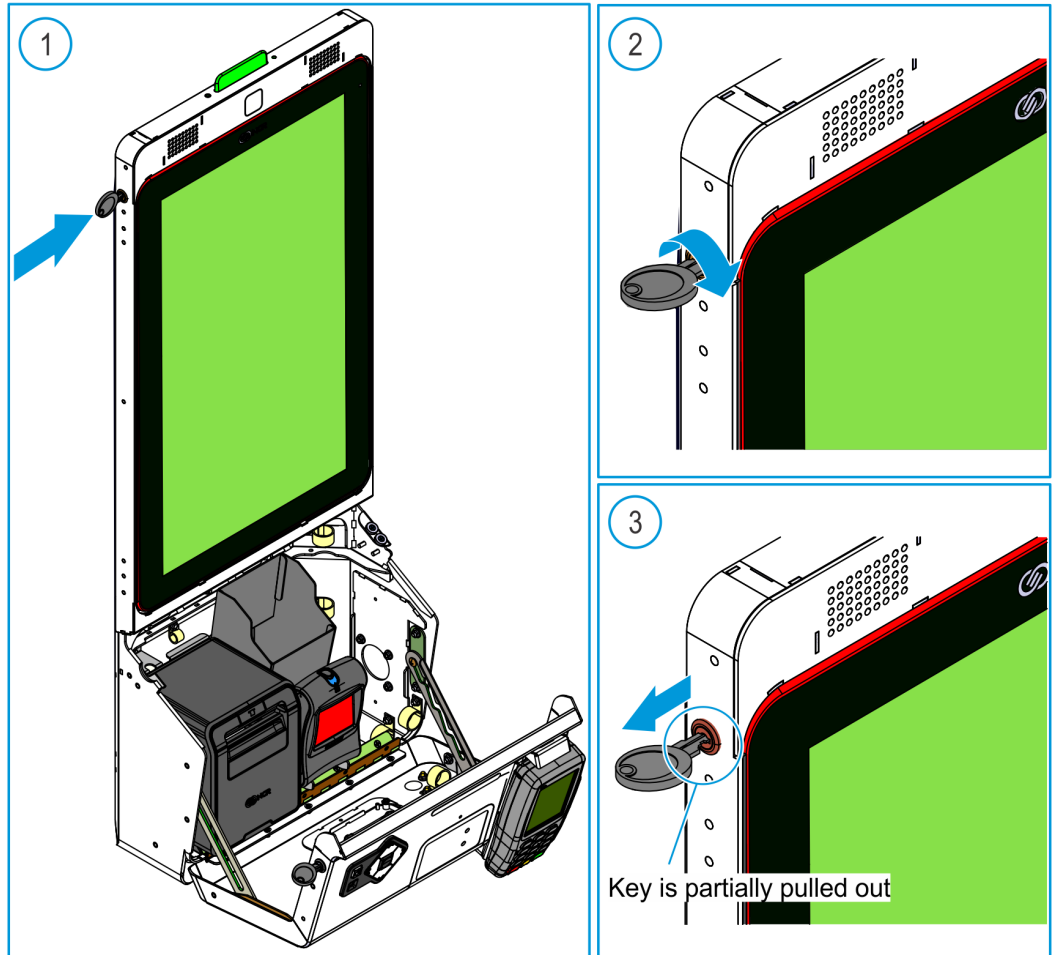


2. Open the Upper Module Door.

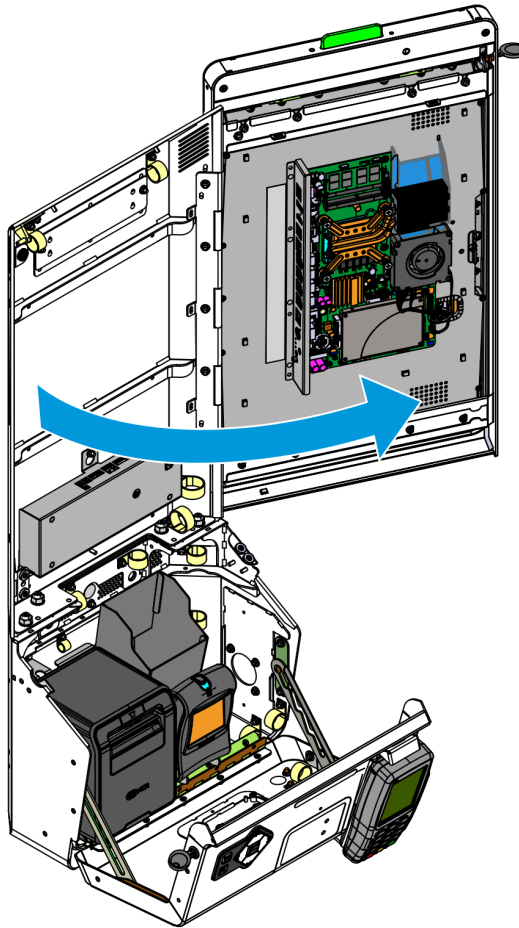
- a. Insert the Upper Module Door key into the lock on the left-hand side of the kiosk, turn the key clockwise (OPEN position), and then partially pull the key (about halfway) out of the keyhole.



Note: When the key is partially out of the keyhole, the cam lock mechanism is held at the OPEN position. This technique prevents the cam lock from automatically re-engaging with the lock catch.



- b. While the key and the cam lock are at the OPEN position, grip the left edge of the Upper Module Door and pull the door forward.

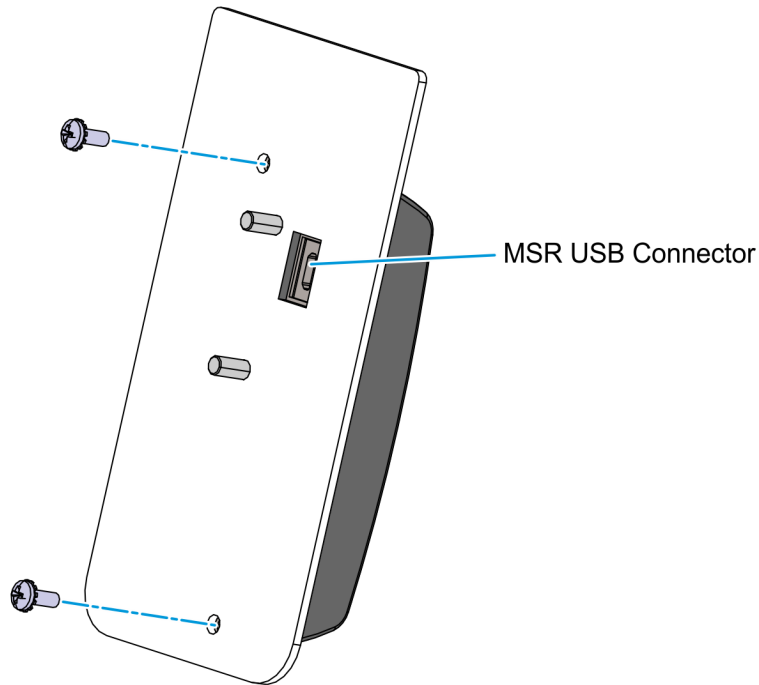


CCP-77663

Installing the Magtek MSR

To install the Magtek MSR, follow these steps:

1. Install the MSR on its mounting plate.



CCP-78122

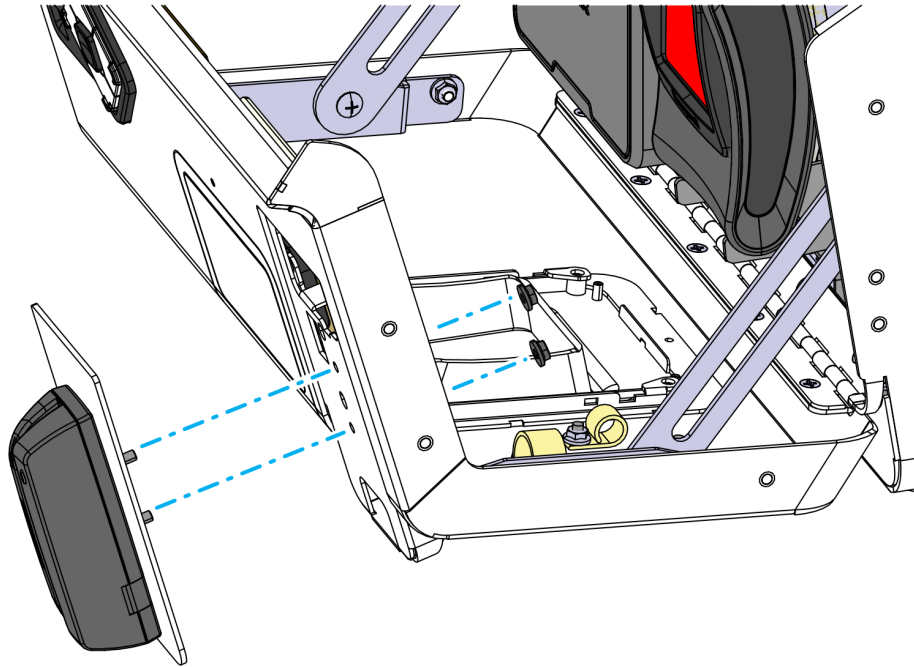
- a. Align the mounting holes on the back of the MSR with the mounting holes on the mounting plate.



Note: Ensure that the MSR USB connector is also aligned with the access hole on the mounting plate.

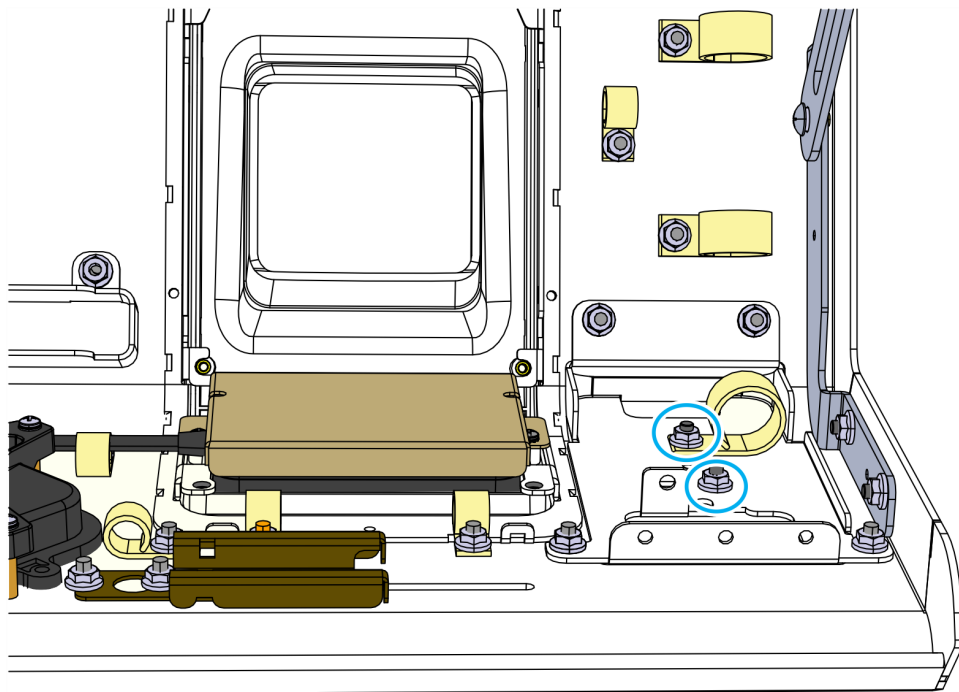
- b. Secure the MSR using two M3x8 screws.

2. Insert the two studs on the back of the mounting bracket into the mounting holes on the Payment Device Support Bracket.



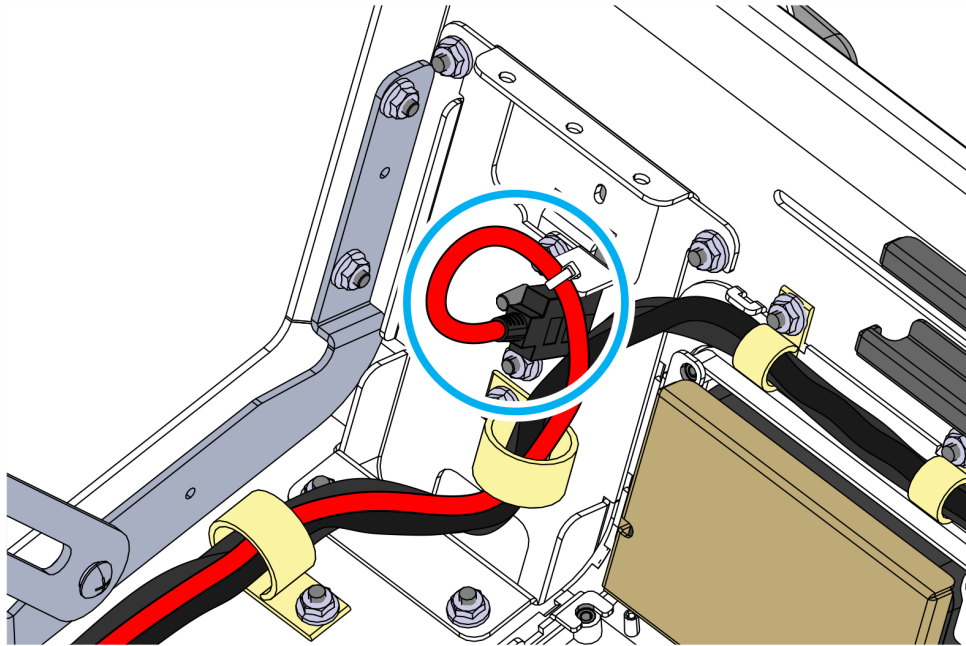
CCP-77926

3. From the other side of the Payment Device Support Bracket, secure the MSR Assembly using two M4 nuts.



CCP-77927

4. Connect the MSR USB cable to the MSR device through the cable access hole for the USB connector, and then use a cable tie to secure it to the metal bracket just above the connector.



CCP-77928

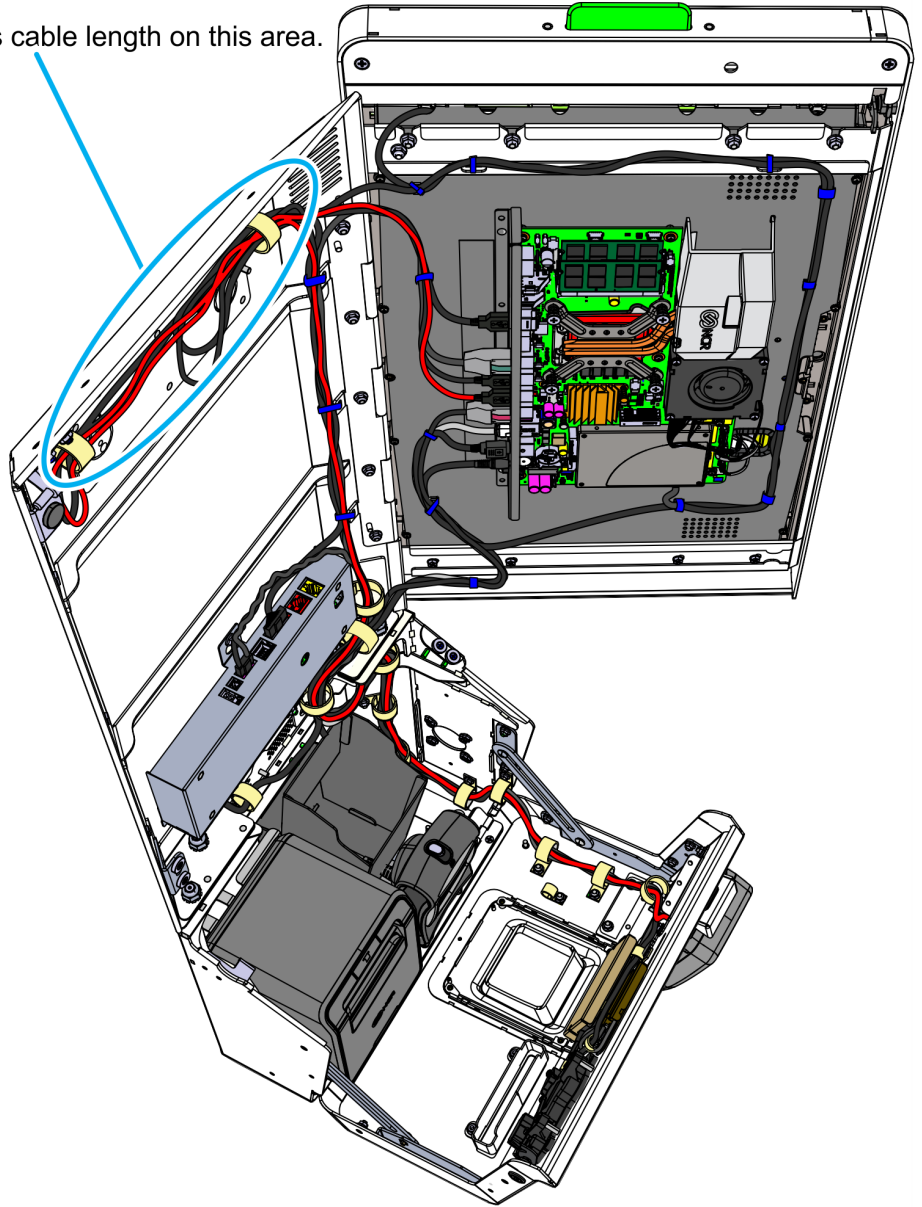
Routing the Cable for MSR and Small PIN Pads

1. Route the MSR or PIN Pad cable toward the Ebox and connect it to the **USB E** port.



Note: Route and bundle extra cable length on the area indicated in the following image.

Bundle excess cable length on this area.



CCP-77932

2. Secure the cable with cable ties and p-loops along its route.