

Kit Instructions

PIN Pad Mount

(Verifone VX805/820, Ingenico IPP320/350)

2246-K071
Issue B



The product described in this document is a licensed product of NCR Corporation.

NCR is a registered trademark of NCR Corporation. NCR SelfServ™ is a trademark of NCR Corporation in the United States and/or other countries. Other product names mentioned in this publication may be trademarks or registered trademarks of their respective companies and are hereby acknowledged.

The terms HDMI and HDMI High-Definition Multimedia Interface, and the HDMI Logo are trademarks or registered trademarks of HDMI Licensing LLC in the United States and other countries.

Where creation of derivative works, modifications or copies of this NCR copyrighted documentation is permitted under the terms and conditions of an agreement you have with NCR, NCR's copyright notice must be included.

It is the policy of NCR Corporation (NCR) to improve products as new technology, components, software, and firmware become available. NCR, therefore, reserves the right to change specifications without prior notice.

All features, functions, and operations described herein may not be marketed by NCR in all parts of the world. In some instances, photographs are of equipment prototypes. Software screen images are representative, and in some cases, may not match a customer's installed software exactly. Therefore, before using this document, consult with your NCR representative or NCR office for information that is applicable and current.

To maintain the quality of our publications, we need your comments on the accuracy, clarity, organization, and value of this book. Please use the link below to send your comments.

Email: FD230036@ncr.com

Copyright © 2021
By NCR Corporation
864 Spring St. NW
Atlanta, GA 30308
United States
All Rights Reserved

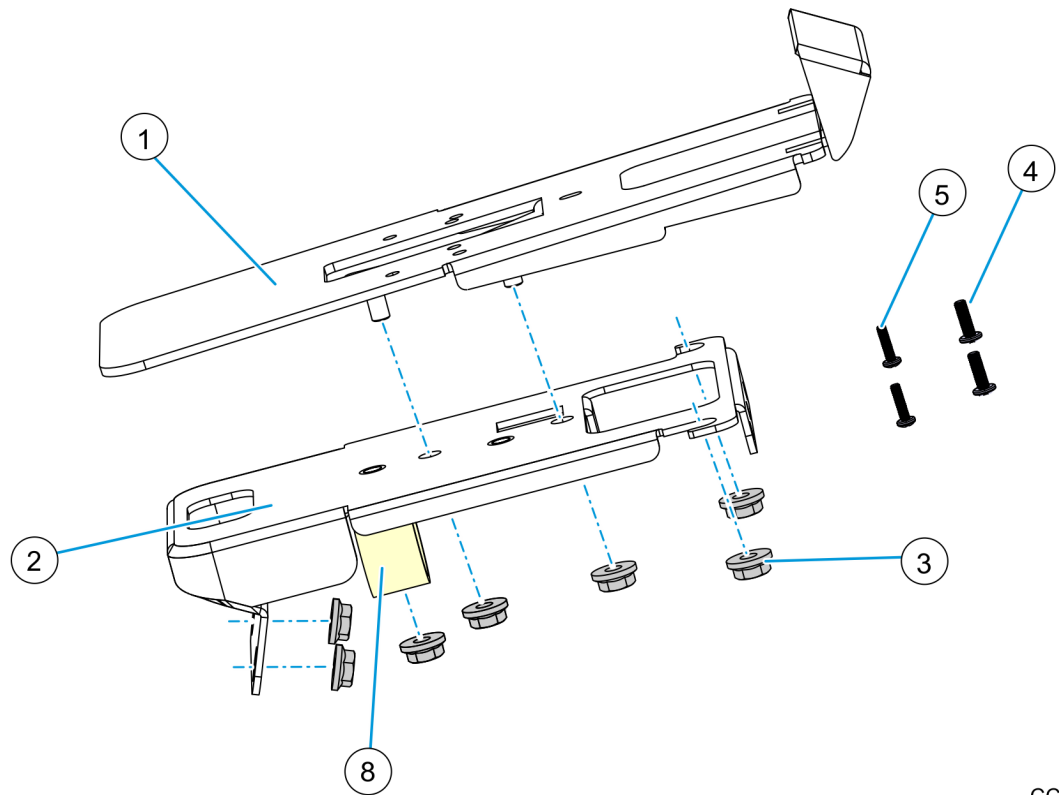
Revision Record

| Issue | Date | Remarks |
|-------|----------|---|
| A | Dec 2019 | First Issue |
| B | Feb 2021 | Updated the kit contents and procedures |
| | | |

PIN Pad Mount (Verifone VX805/820, Ingenico IPP320/350)

This publication provides procedures for installing the PIN Pad Mount for Verifone VX805/820 and Ingenico IPP320/350 PIN Pads on an NCR SelfServ™ XK22 (2246) Kiosk.

Kit Contents



CCP-80034

| Part Number | | Description |
|-------------|-------------|---|
| 497-0526281 | | Kit - PIN Pad Mount Verifone VX805/820, Ingenico IPP320/350 |
| 1 | 795-0275901 | Mount, Small PIN Pad, 2246 |
| 2 | 795-0275801 | Bracket, Support, Base, PIN Pad, 2246 |
| 3 | 009-0007087 | Serrated Nut - Self Locking (M4, 4.2) (8 pcs) |

| Part Number | | Description |
|-------------|-------------|--|
| 4 | 006-8626872 | Screw, M2.5X0.45, 12mm Length, Pan Head, Stainless Steel (2 pcs) |
| 5 | 006-8627594 | Screw, M2X0.40, 8mm Length, Pan Head, Zinc Plated (2 pcs) |
| 6* | 497-0524523 | XK22 Paint Color Cross Reference Document |
| 7* | 497-0423108 | Instructions-Kit (Reference Sheet) |
| 8 | 006-8616844 | Clamp - Cable (Open p-Loop), 3/4" ID, Nylon, Natural (2 pcs) |



Note: Items marked with an asterisk (*) are not shown in the image.

Installation Procedures

Installing the PIN Pad Mount on an NCR XK22 Kiosk unit involves the following procedures:

1. Open the Lower Module Door and the Upper Module Door. For more information, refer to [Opening the Kiosk](#) on the next page.
2. Install the Payment Device Support Bracket onto the Lower Module. For more information, refer to [Installing the Payment Device Support Bracket](#) on page 8
3. Install the PIN Pad device on the mounting bracket and install the assembly onto the Payment Device Support Bracket.
 - For Verifone VX805/820, refer to [Installing the Verifone VX820 or VX805](#) on page 9
 - For Ingenico IPP320/350, refer to [Installing the Ingenico IPP320 or IPP350](#) on page 12
4. Route the PIN Pad cable. For more information, refer to [Routing the Cable for MSR and Small PIN Pads](#) on page 15.

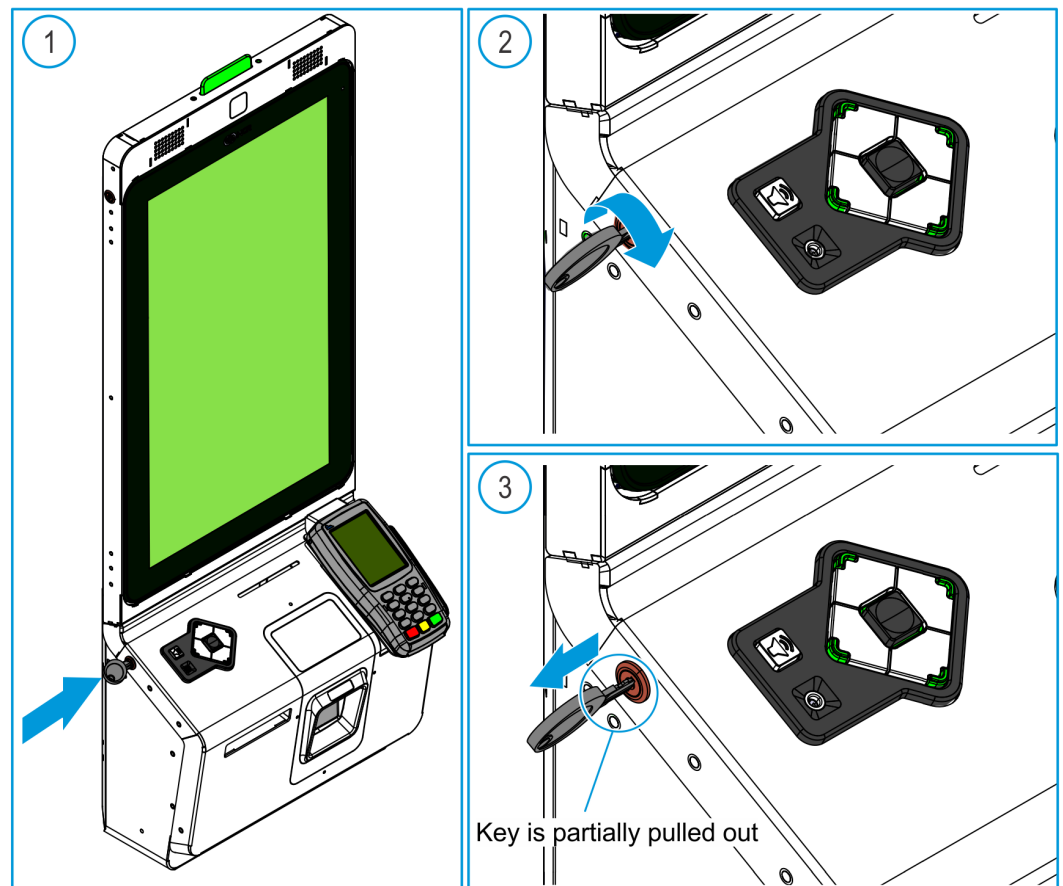
Opening the Kiosk

To open the kiosk, follow these steps:

1. Open the Lower Module Door.
 - a. Insert the Lower Module Door key into the keyhole on the left-hand side of the kiosk, turn the key clockwise (OPEN position), and then partially pull the key (about halfway) out of the keyhole.



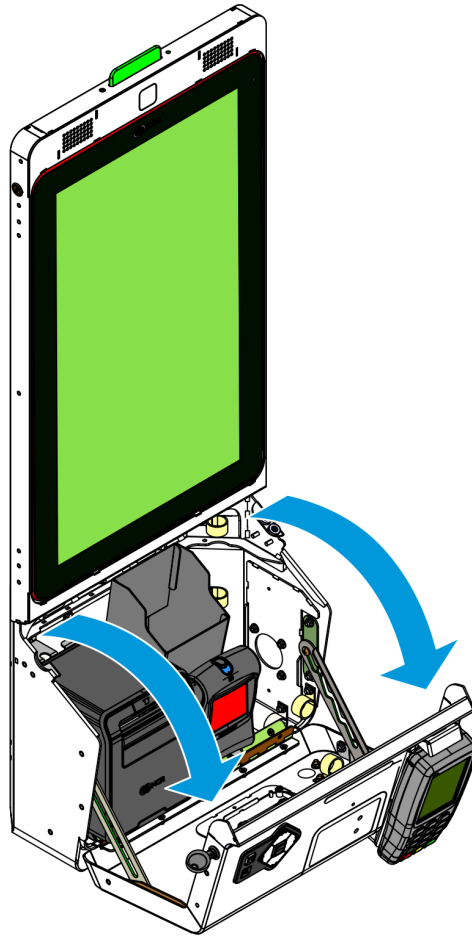
Note: When the key is partially out of the keyhole, the cam lock mechanism is held at the OPEN position. This technique prevents the cam lock from automatically re-engaging with the lock catch.



- b. While the key and the cam lock are at the OPEN position, grip the left and right edges of the Lower Module Door, pull the door forward, and guide the door until the door linkage is fully extended.



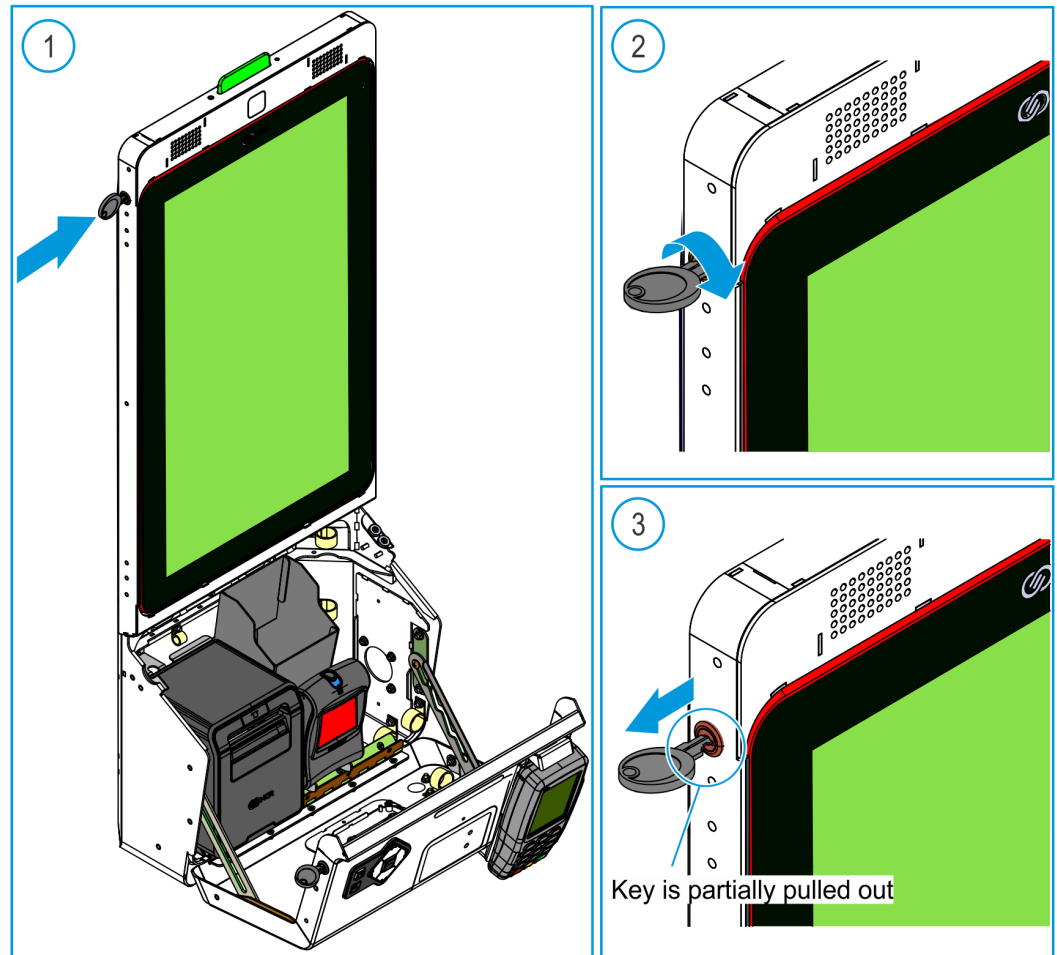
Caution: Do NOT abruptly open and release the Lower Module Door. Hold and support the Lower Module Door until fully extended.



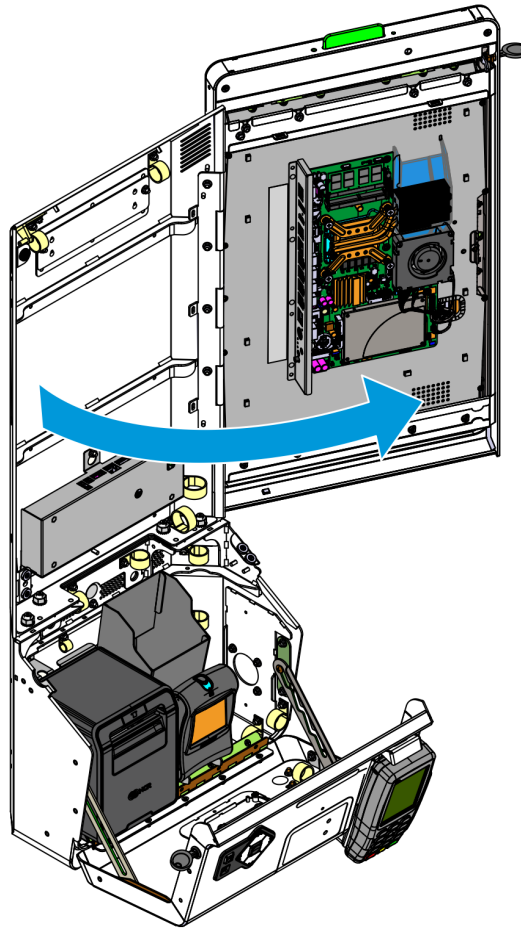
2. Open the Upper Module Door.
 - a. Insert the Upper Module Door key into the lock on the left-hand side of the kiosk, turn the key clockwise (OPEN position), and then partially pull the key (about halfway) out of the keyhole.



Note: When the key is partially out of the keyhole, the cam lock mechanism is held at the OPEN position. This technique prevents the cam lock from automatically re-engaging with the lock catch.



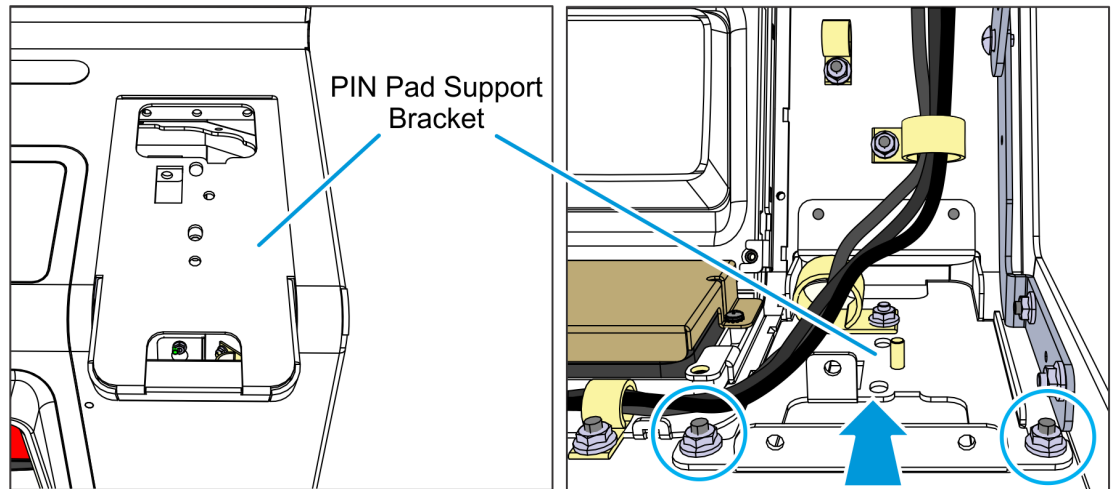
- b. While the key and the cam lock are at the OPEN position, grip the left edge of the Upper Module Door and pull the door forward.



Installing the Payment Device Support Bracket

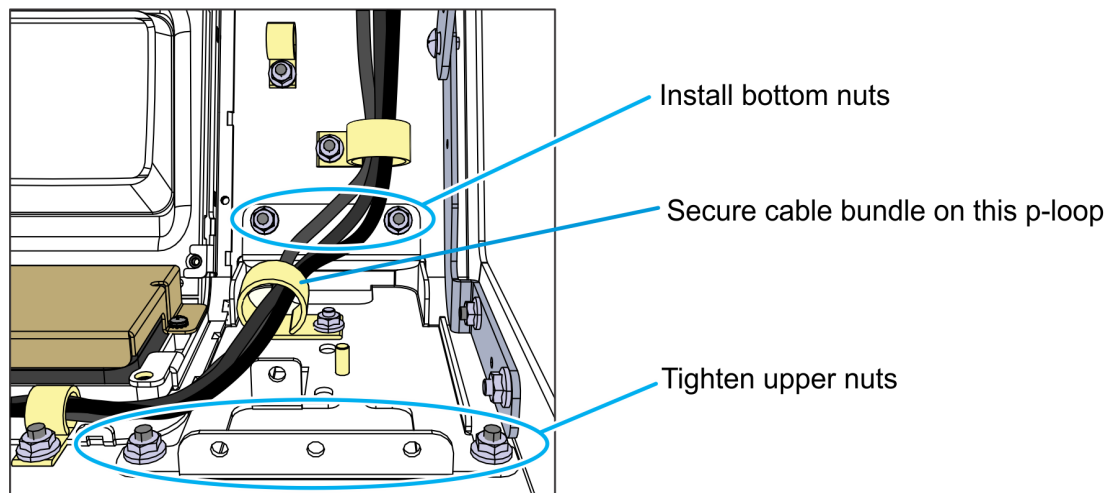
To install the Payment Device Support Bracket on the kiosk, follow these steps:

1. Slide down the hooks of the Payment Device Support Bracket onto the upper mounting studs.



CCP-78126

2. Tighten the two upper nuts and install the two bottom nuts, and then secure the cable bundle into the p-loop.



CCP-78125

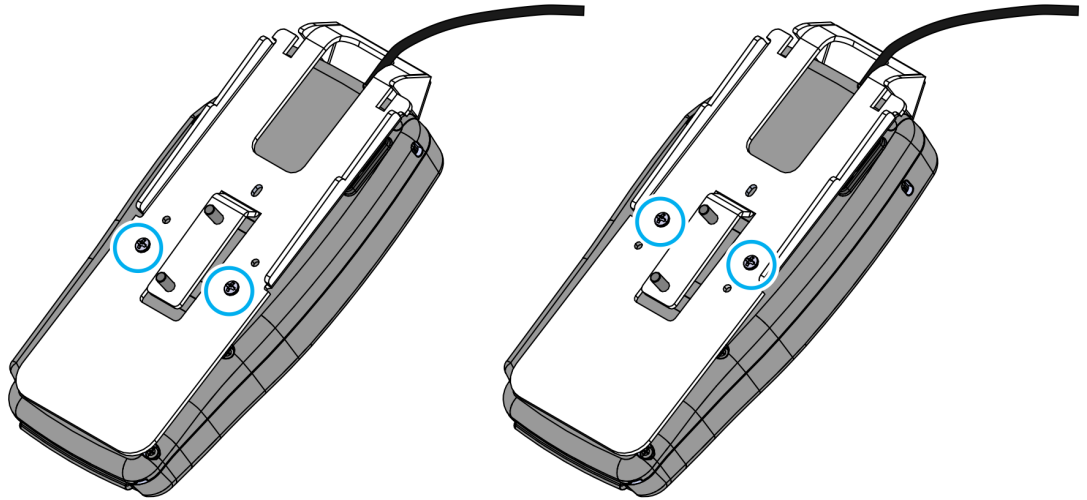
Installing the Verifone VX820 or VX805

To install the Verifone VX820 or VX805 PIN Pad, follow these steps:

1. Install the PIN Pad on the mounting bracket.



Caution: Ensure that the PIN Pad Cable is not pinched.



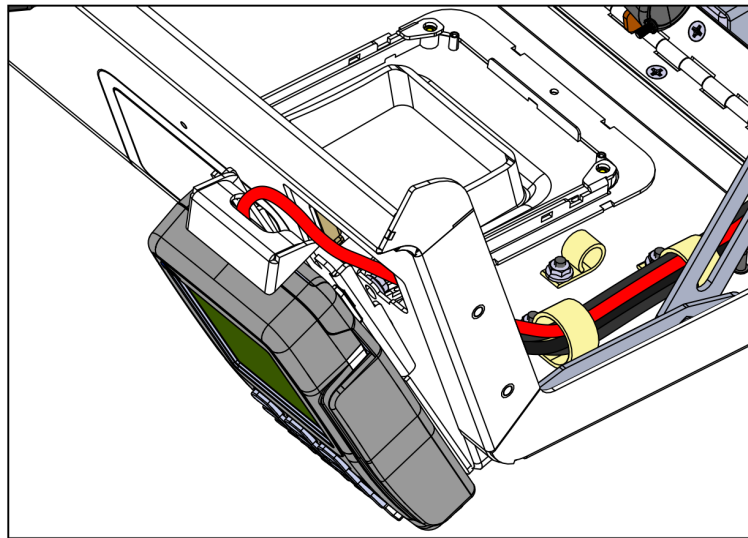
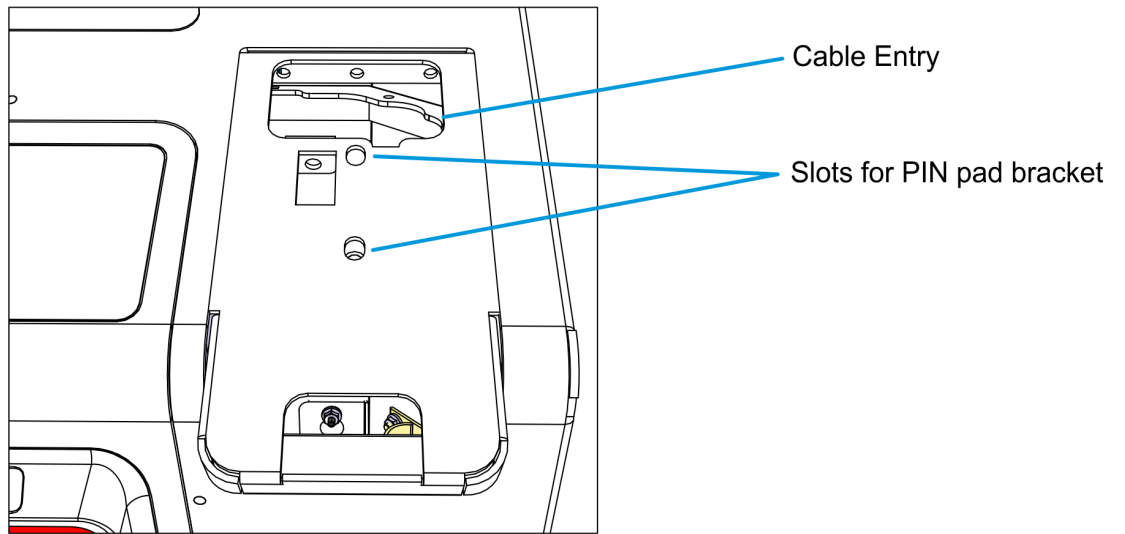
VX820

VX805

CCP-77935

- a. Connect the PIN Pad Cable to the PIN Pad device.
- b. Insert the PIN Pad Cable through the cable access hole on the PIN Pad Mounting Bracket.
- c. Align the mounting holes on the back of the PIN Pad with the mounting holes on the mounting bracket.
- d. Secure the PIN Pad to the mounting bracket using two screws.

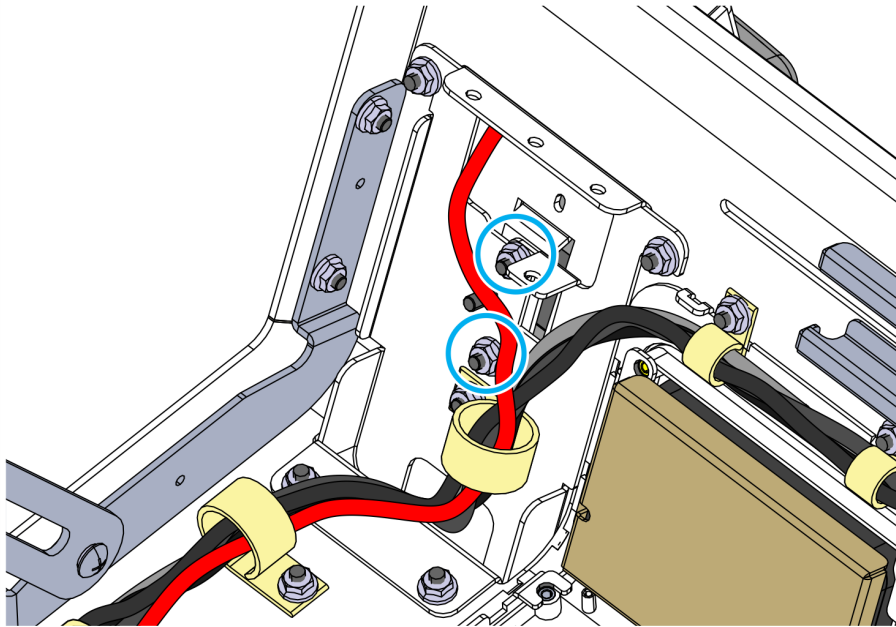
2. Insert the PIN Pad Cable into the cable access hole on the Payment Device Support Bracket.



3. Install the PIN Pad Assembly onto the kiosk.



Caution: Ensure that the PIN Pad Cable is not pinched.



CCP-77931

- a. Insert the two studs on the back of the mounting bracket into the mounting holes on the Payment Device Support Bracket.
 - b. From the other side of the Payment Device Support Bracket, secure the PIN Pad Assembly using two M4 nuts.
4. Route and connect the PIN Pad Cable to the motherboard. For more information, refer to [Routing the Cable for MSR and Small PIN Pads](#) on page 15.

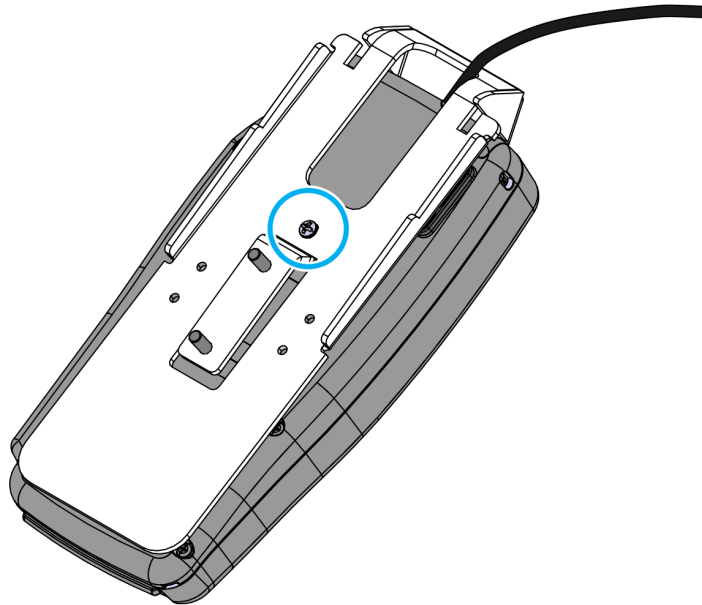
Installing the Ingenico IPP320 or IPP350

To install the Ingenico IPP320 or IPP350 PIN Pad, follow these steps:

1. Install the PIN Pad on the mounting bracket.



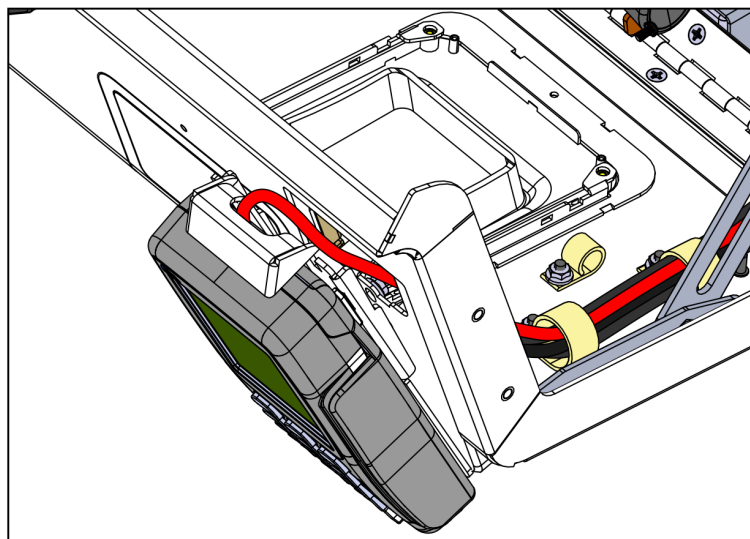
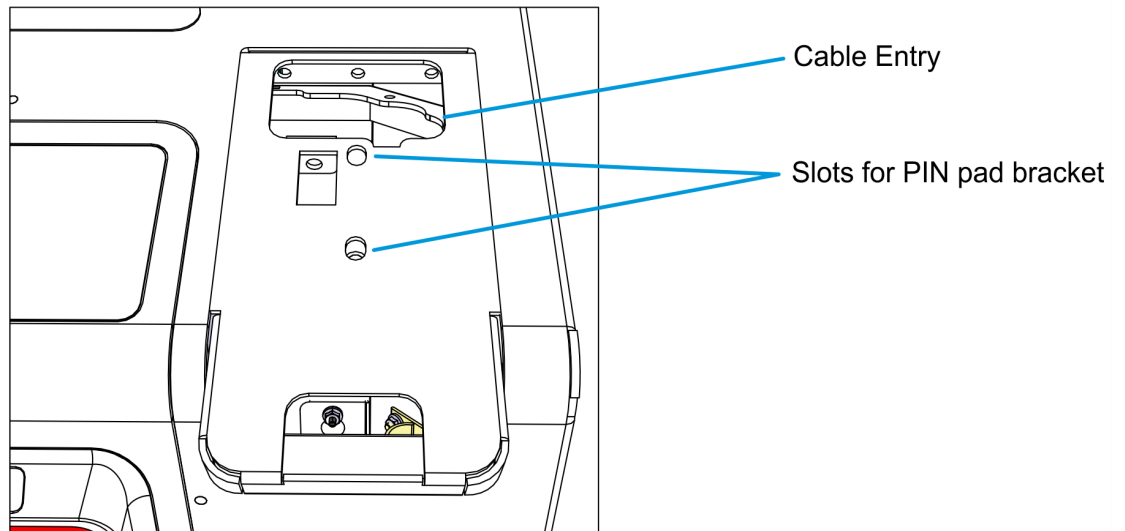
Caution: Ensure that the PIN Pad Cable is not pinched.



CCP-77929

- a. Connect the PIN Pad Cable to the PIN Pad device.
- b. Insert the PIN Pad Cable through the cable access hole on the PIN Pad Mounting Bracket.
- c. Align the mounting hole on the back of the PIN Pad with the mounting hole on the mounting bracket.
- d. Secure the PIN Pad to the mounting bracket using one screw.

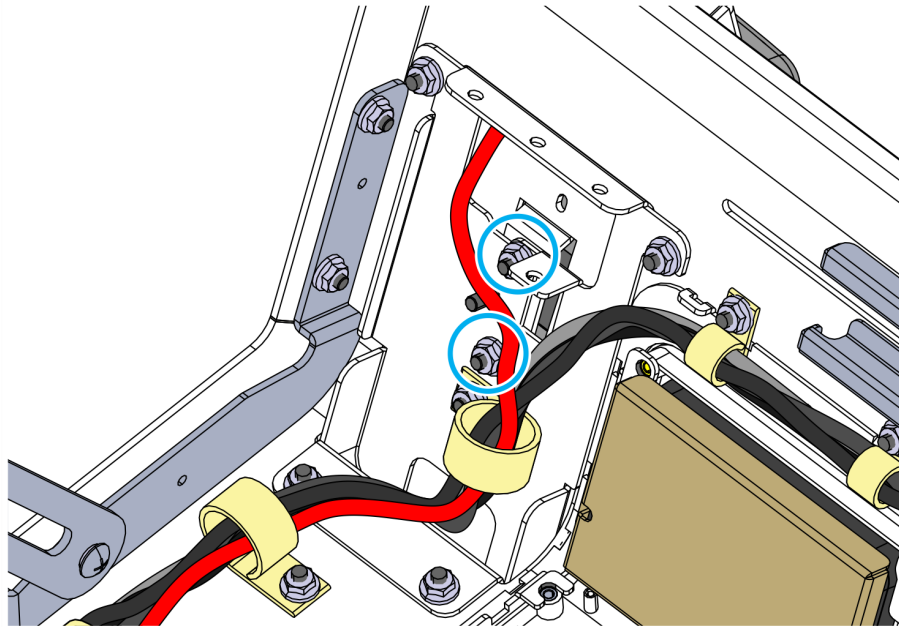
2. Insert the PIN Pad Cable into the cable access hole on the Payment Device Support Bracket.



3. Install the PIN Pad Assembly onto the kiosk.



Caution: Ensure that the PIN Pad Cable is not pinched.



CCP-77931

- a. Insert the two studs on the back of the mounting bracket into the mounting holes on the Payment Device Support Bracket.
 - b. From the other side of the Payment Device Support Bracket, secure the PIN Pad Assembly using two M4 nuts.
4. Route and connect the PIN Pad Cable to the motherboard. For more information, refer to [Routing the Cable for MSR and Small PIN Pads](#) on the facing page.

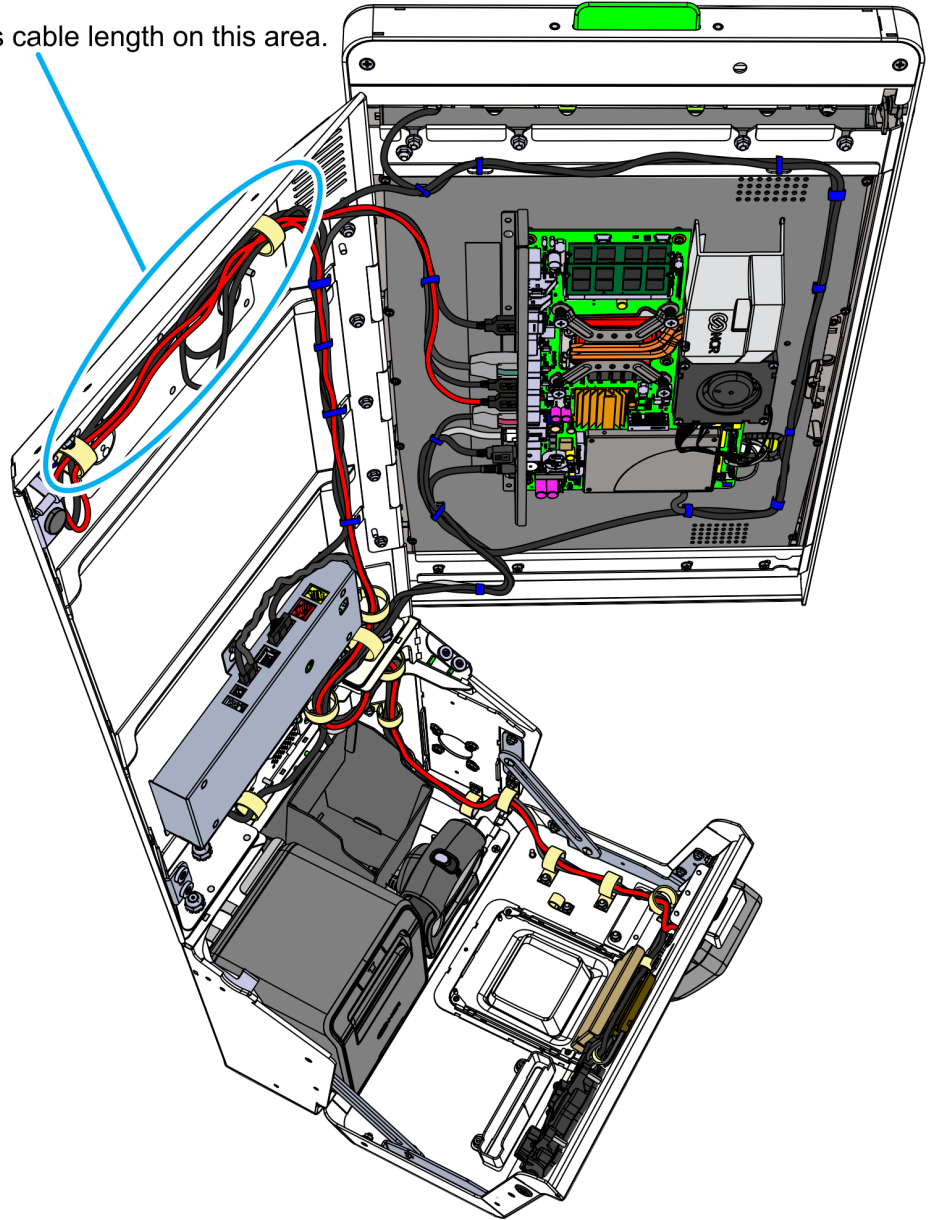
Routing the Cable for MSR and Small PIN Pads

1. Route the MSR or PIN Pad cable toward the Ebox and connect it to the **USB E** port.



Note: Route and bundle extra cable length on the area indicated in the following image.

Bundle excess cable length on this area.



CCP-77932

2. Secure the cable with cable ties and p-loops along its route.

