

Kit Instructions

Keyhole Blanking, 2246

2246-K001
Issue B



The product described in this document is a licensed product of NCR Corporation.

NCR is a registered trademark of NCR Corporation. NCR SelfServ™ is a trademark of NCR Corporation in the United States and/or other countries. Other product names mentioned in this publication may be trademarks or registered trademarks of their respective companies and are hereby acknowledged.

The terms HDMI and HDMI High-Definition Multimedia Interface, and the HDMI Logo are trademarks or registered trademarks of HDMI Licensing LLC in the United States and other countries.

Where creation of derivative works, modifications or copies of this NCR copyrighted documentation is permitted under the terms and conditions of an agreement you have with NCR, NCR's copyright notice must be included.

It is the policy of NCR Corporation (NCR) to improve products as new technology, components, software, and firmware become available. NCR, therefore, reserves the right to change specifications without prior notice.

All features, functions, and operations described herein may not be marketed by NCR in all parts of the world. In some instances, photographs are of equipment prototypes. Software screen images are representative, and in some cases, may not match a customer's installed software exactly. Therefore, before using this document, consult with your NCR representative or NCR office for information that is applicable and current.

To maintain the quality of our publications, we need your comments on the accuracy, clarity, organization, and value of this book. Please use the link below to send your comments.

Email: FD230036@ncr.com

Copyright © 2021
By NCR Corporation
864 Spring St. NW
Atlanta, GA 30308
United States
All Rights Reserved

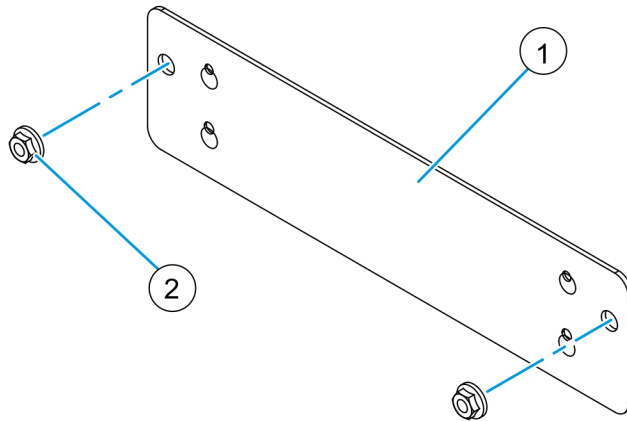
Revision Record

Issue	Date	Remarks
A	Dec 2019	First Issue
B	Feb 2021	Updated kit contents

Keyhole Blanking, 2246

This publication provides procedures for installing the Keyhole Blanking kit on an NCR SelfServ™ XK22 (2246) Kiosk.

Kit Contents



CCP-78401

Part Number		Description
497-0526456		Kit - Blanking, Keyhole, 2246
1	795-0283901	Blanking, Keyhole, 2246
2	009-0007087	Serrated Nut - Self Locking (M4, 4.2) (2 pcs)
3*	497-0524523	XK22 Paint Color Cross Reference Document
4*	497-0423108	Instructions-Kit (Reference Sheet)

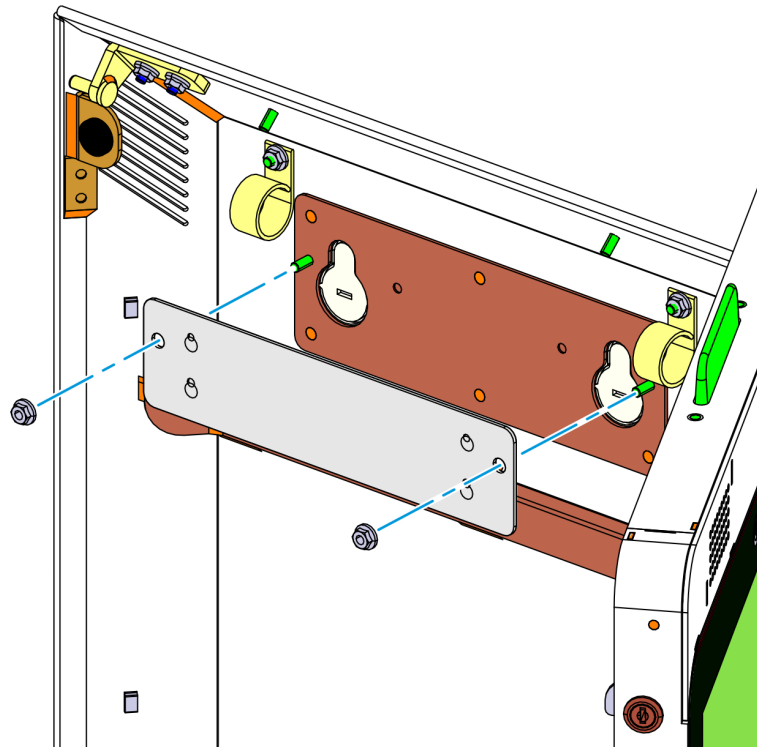


Note: Items marked with an asterisk (*) are not shown in the image.

Installation Procedure

To install the Keyhole Blanking kit, follow these steps:

1. Open the Lower Module Door and the Upper Module Door. For more information, refer to [Opening the Kiosk](#) on the facing page.
2. Install the blanking plate on the two studs on the upper part of the kiosk, and then secure with two M4 nuts.



CCP-78402

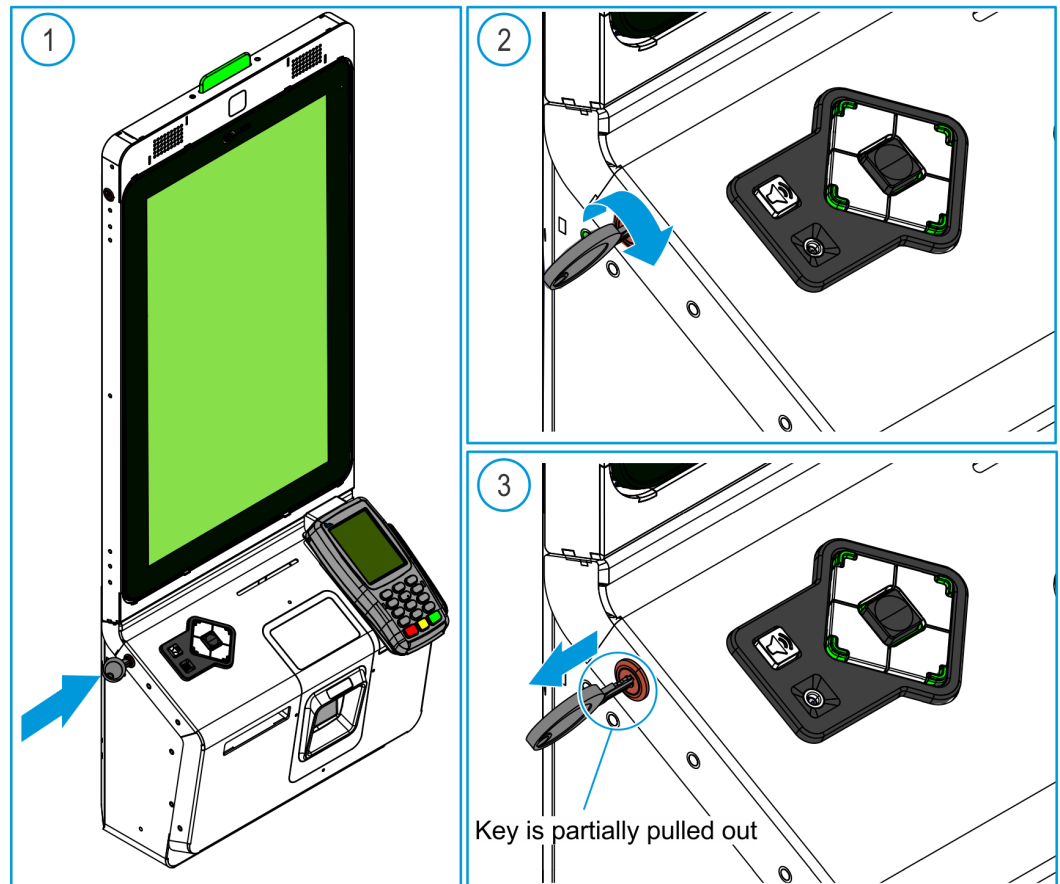
Opening the Kiosk

To open the kiosk, follow these steps:

1. Open the Lower Module Door.
 - a. Insert the Lower Module Door key into the keyhole on the left-hand side of the kiosk, turn the key clockwise (OPEN position), and then partially pull the key (about halfway) out of the keyhole.



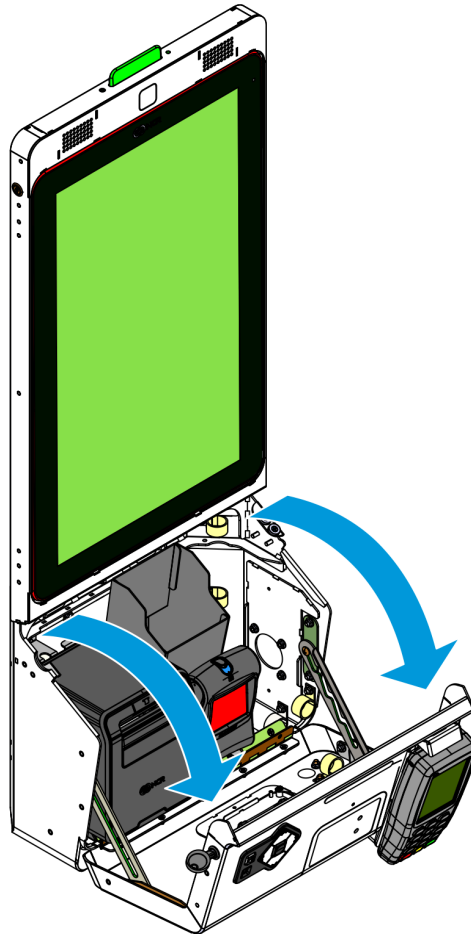
Note: When the key is partially out of the keyhole, the cam lock mechanism is held at the OPEN position. This technique prevents the cam lock from automatically re-engaging with the lock catch.



- b. While the key and the cam lock are at the OPEN position, grip the left and right edges of the Lower Module Door, pull the door forward, and guide the door until the door linkage is fully extended.



Caution: Do NOT abruptly open and release the Lower Module Door. Hold and support the Lower Module Door until fully extended.

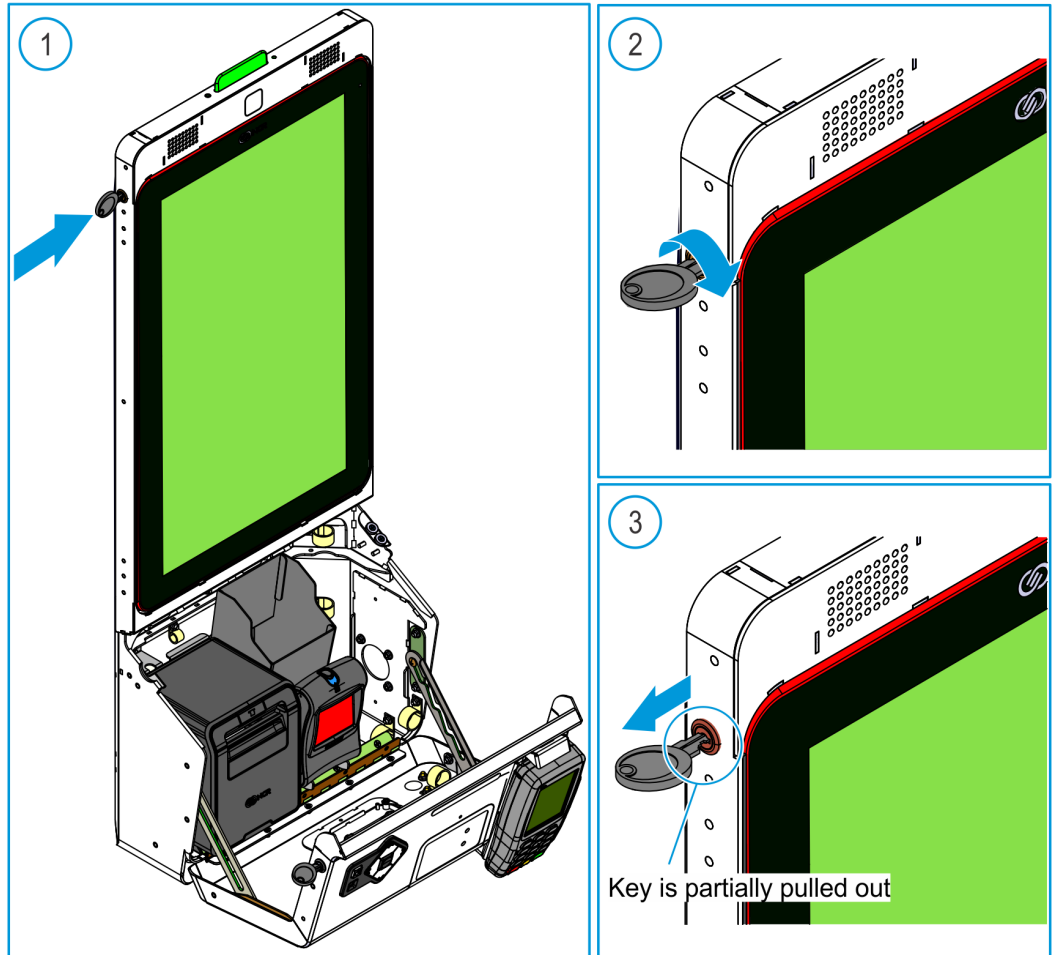


2. Open the Upper Module Door.

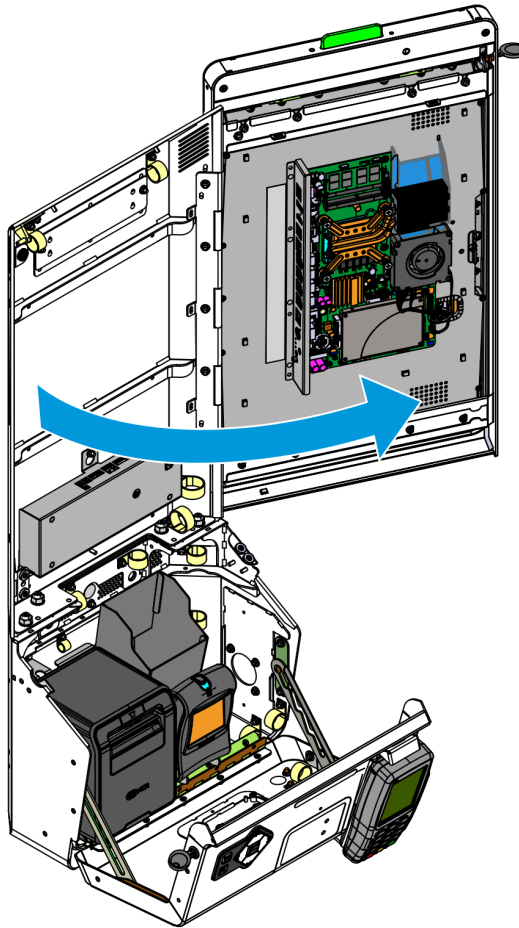
- a. Insert the Upper Module Door key into the lock on the left-hand side of the kiosk, turn the key clockwise (OPEN position), and then partially pull the key (about halfway) out of the keyhole.



Note: When the key is partially out of the keyhole, the cam lock mechanism is held at the OPEN position. This technique prevents the cam lock from automatically re-engaging with the lock catch.



- b. While the key and the cam lock are at the OPEN position, grip the left edge of the Upper Module Door and pull the door forward.



CCP-77663