



Equinox 6200 Mounting Arm and Mounting Plate Kit Instructions

1668-K146 and K150
Issue A

Copyright

The product described in this document is a licensed product of NCR Voyix Corporation.

NCR CX7 All-in-One POS (7772) is a trademark of NCR Voyix Corporation in the United States and/or other countries. Other product names mentioned in this publication may be trademarks or registered trademarks of their respective companies and are hereby acknowledged.

Where creation of derivative works, modifications or copies of this NCR Voyix copyrighted documentation is permitted under the terms and conditions of an agreement you have with NCR Voyix, NCR Voyix's copyright notice must be included.

It is the policy of NCR Voyix Corporation to improve products as new technology, components, software, and firmware become available. NCR Voyix, therefore, reserves the right to change specifications without prior notice.

All features, functions, and operations described herein may not be marketed by NCR Voyix in all parts of the world. In some instances, photographs are of equipment prototypes. Therefore, before using this document, consult with your NCR Voyix representative or NCR Voyix office for information that is applicable and current.

Copyright © 2022–2024
By NCR Voyix Corporation
Atlanta, Georgia, USA
All Rights Reserved

Table of Contents

Copyright	2
Equinox 6200 Mounting Arm (1668-K146) and Mounting Plate (1668-K150)	5
Kit Contents	5
1668-K146 Equinox 6200 Mounting Arm	5
1668-K150 Equinox 6200 Mounting Plate	6
Installation Procedure	6

Revision Record

Issue	Date	Remarks
A	Jun 2022	First issue.

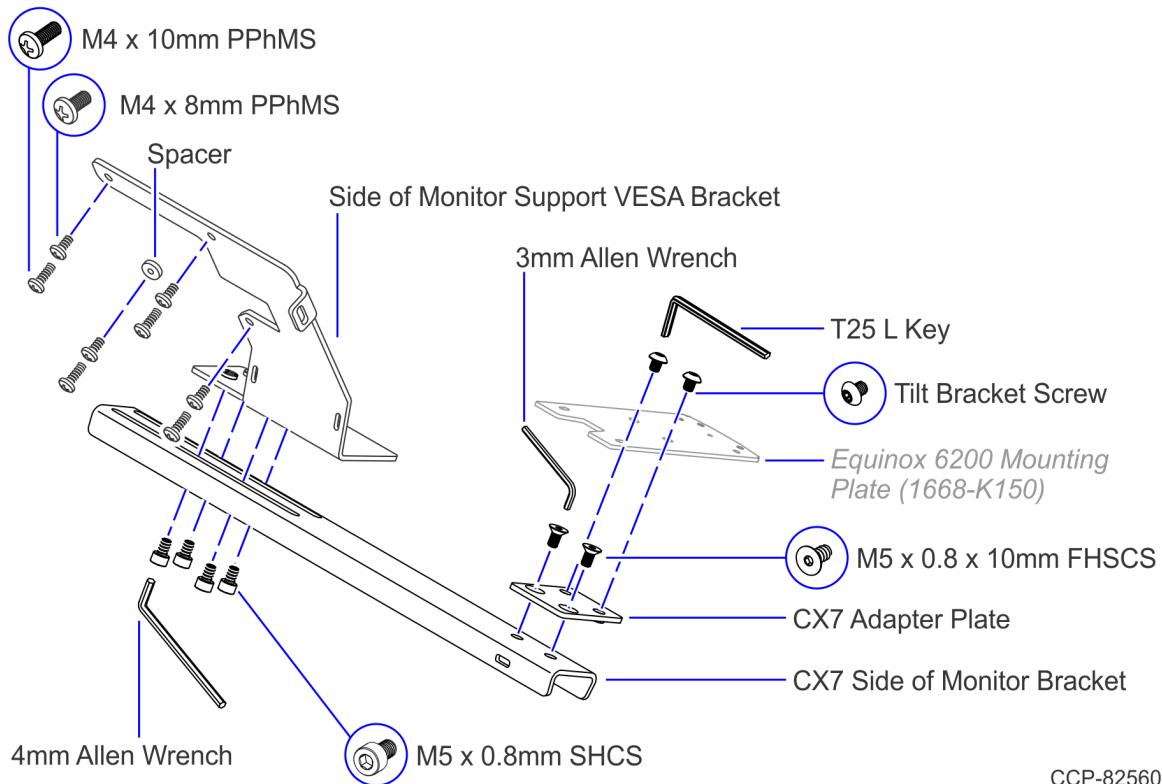
Equinox 6200 Mounting Arm (1668-K146) and Mounting Plate (1668-K150)

The following kits are required to install a payment device on the NCR CX7 POS (7772):

Kit Number	Part Number	Description
1668-K146	497-0533568	Equinox 6200 Mounting Arm
1668-K150	497-0533403	Equinox 6200 Mounting Plate

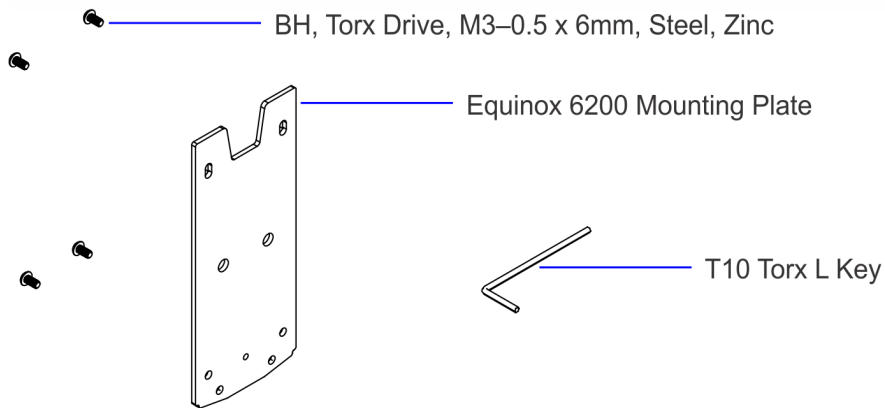
Kit Contents

1668-K146 Equinox 6200 Mounting Arm



Confidential and proprietary information of NCR Voyix.
Use and disclose solely pursuant to company instructions.

1668-K150 Equinox 6200 Mounting Plate



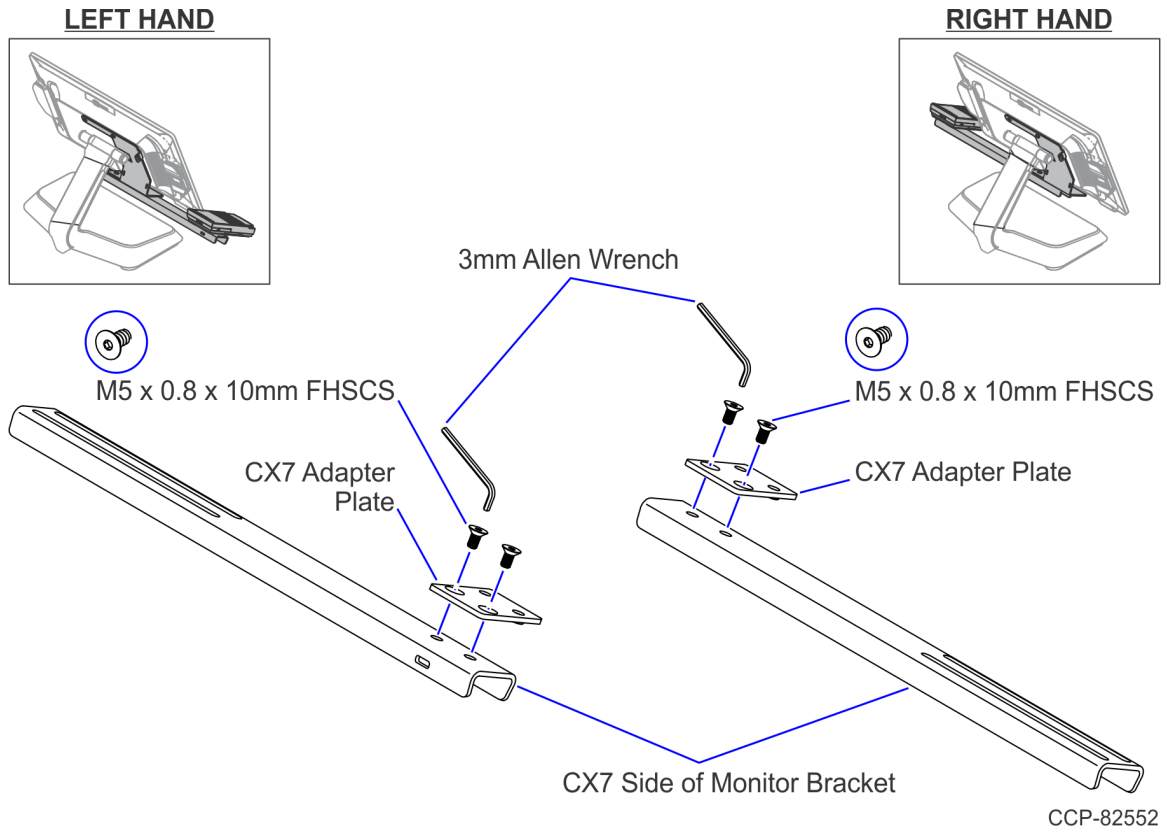
CCP-82551

Installation Procedure

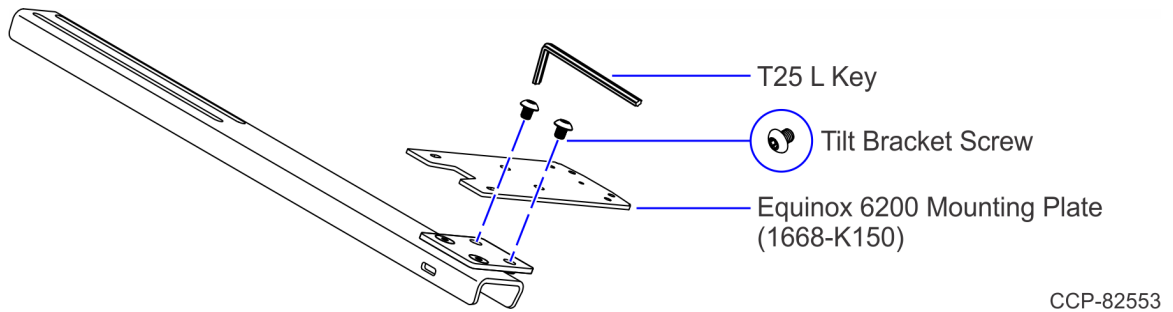
1. Install the CX7 Adapter Plate on the CX7 Side of Monitor Mounting Bracket using two (2) M5 x 0.8 x 10mm FHSCS. Use a 3mm Allen Wrench to tighten the screws.

Note

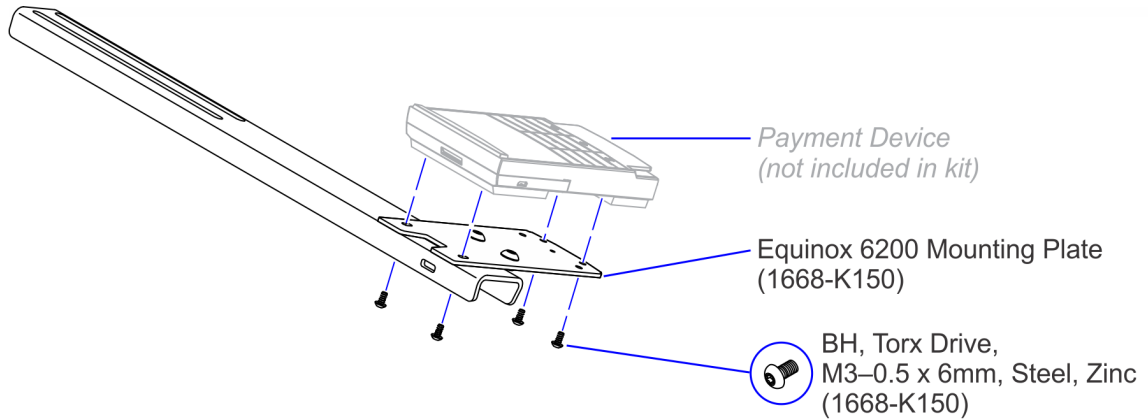
There are two possible configurations as shown below.



2. Install the Equinox 6200 Mounting Plate (included in 1668-K150) on the CX7 Adapter Plate using two (2) Tilt Bracket Screws. Use a T25 L Key to tighten the screws.



3. Install the payment device on the Equinox 6200 Mounting Plate using the screws included in 1668-K150. Use the T10 Torx L Key (included in 1668-K150) to tighten the screws.

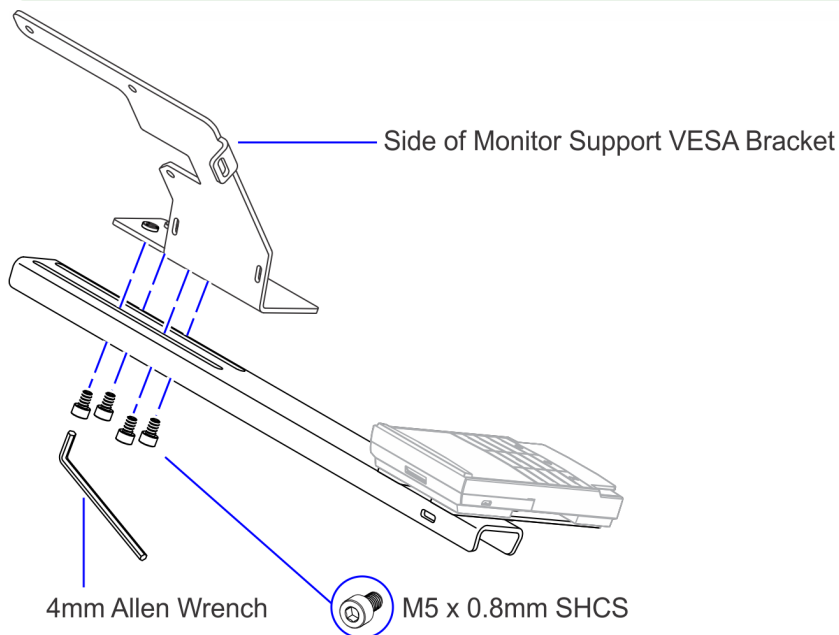


CCP-82554

4. Install the Side of Monitor Support VESA Bracket on the CX7 Side of Monitor Mounting Bracket using four (4) M5 x 0.8mm SHCS. Use a 4mm Allen Wrench.

Note

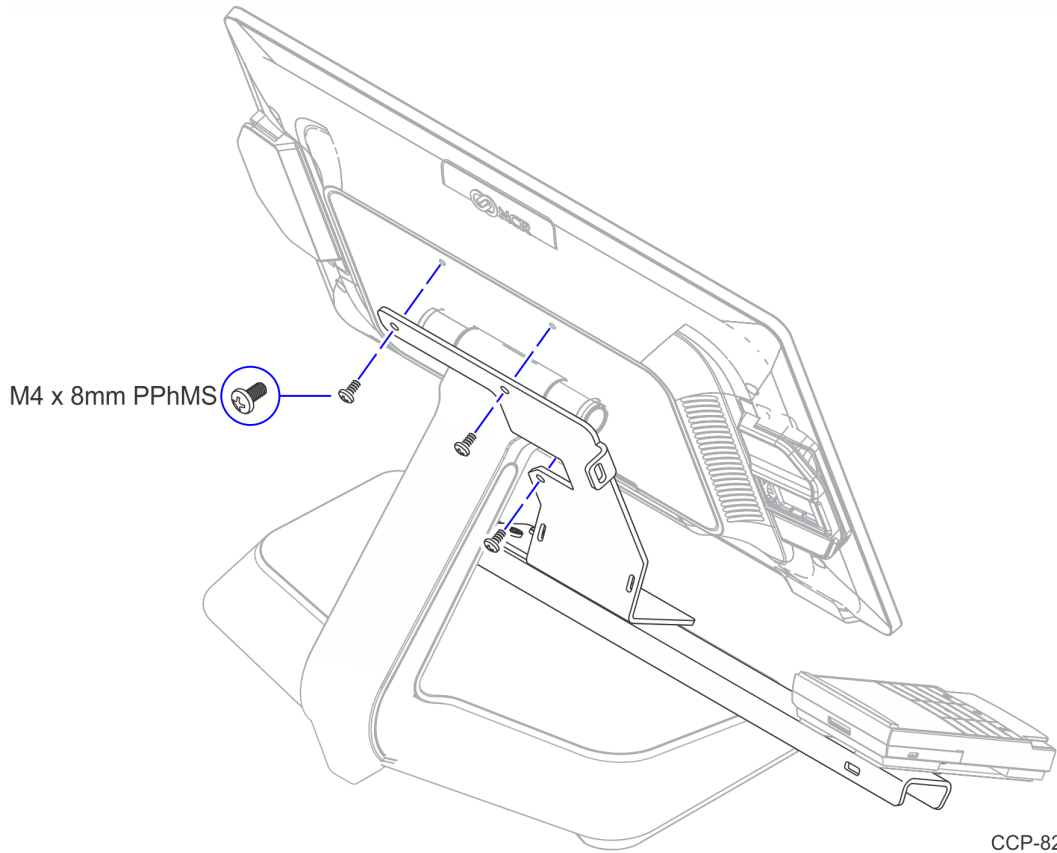
Do not fully tighten the M5 x 0.8mm SHCS.



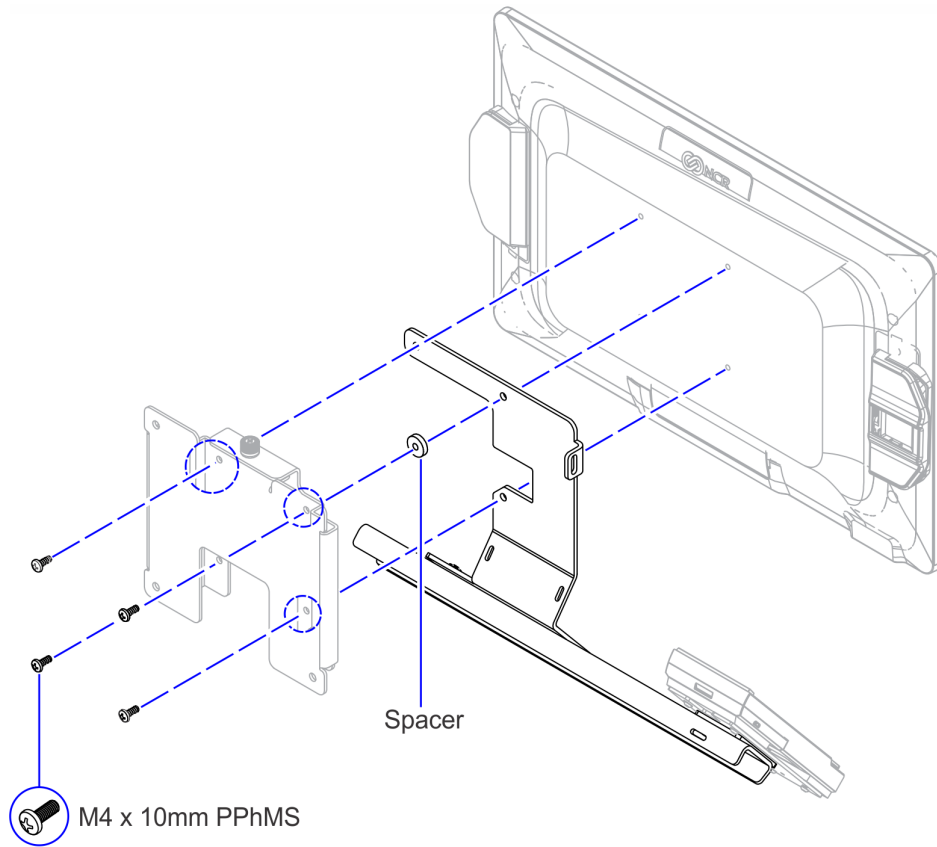
CCP-82555

5. Install the assembly on the CX7.

- **CX7 with Stand** — Install the Side of Monitor Support VESA Bracket on the back of the NCR CX7 POS using three (3) M4 x 8mm PPhMS.

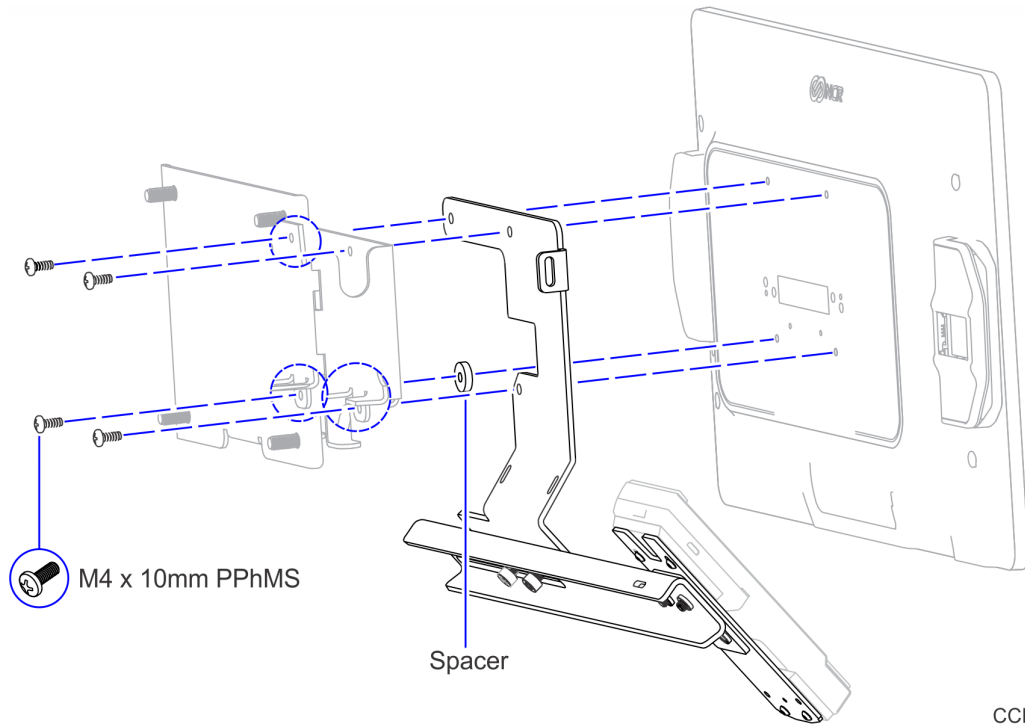


- **CX7 with 7772-K320 (Bracket, Wall Mount, Integrated I/O)** — Install the 7772-K320 Wall Mount and Side of Monitor Support VESA Bracket on the back of the NCR CX7 POS using a Spacer and four (4) M4 x 10mm PPhMS.

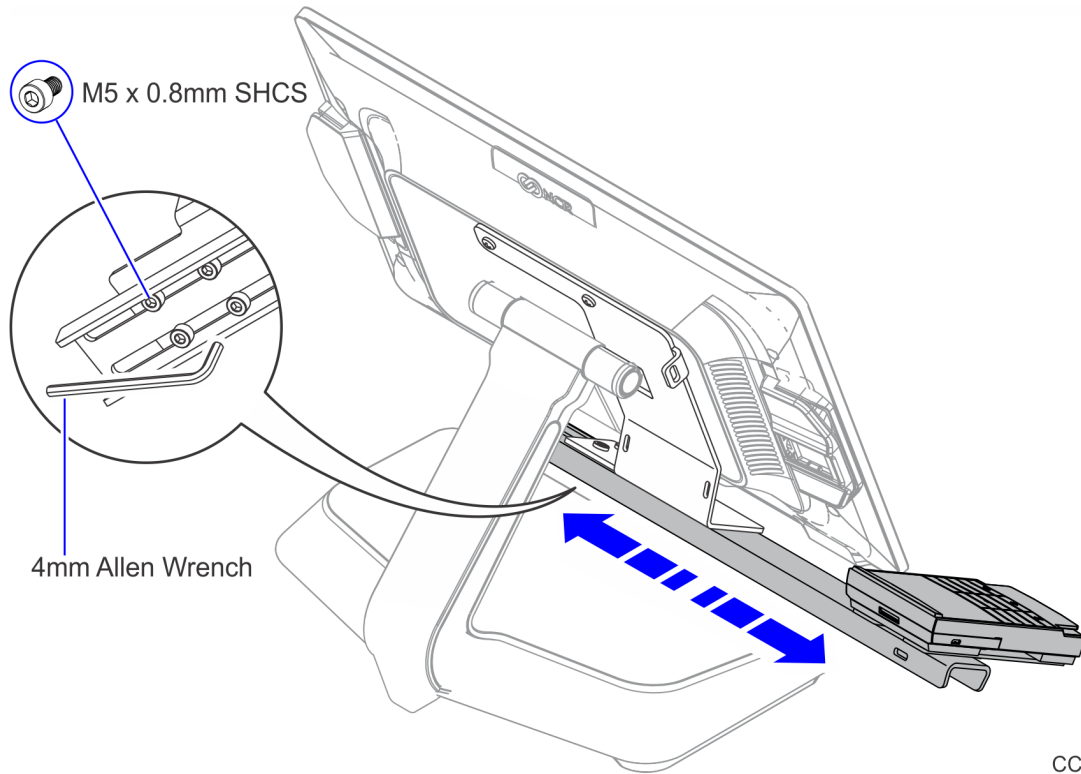


CCP-82557

- **CX7 with 7772-K325 (Bracket, Wall Mount, Power Supply, Integrated I/O)**
 - Install the 7772-K325 Wall Mount and Side of Monitor Support VESA Bracket on the back of the NCR CX7 POS using a Spacer and four (4) M4 x 10mm PPhMS.



- Adjust the payment device position by sliding the CX7 Side of Monitor Mounting Bracket left or right. Once desired position is reached, tighten the four (4) M5 x 0.8mm SHCS as shown below.



CCP-82559