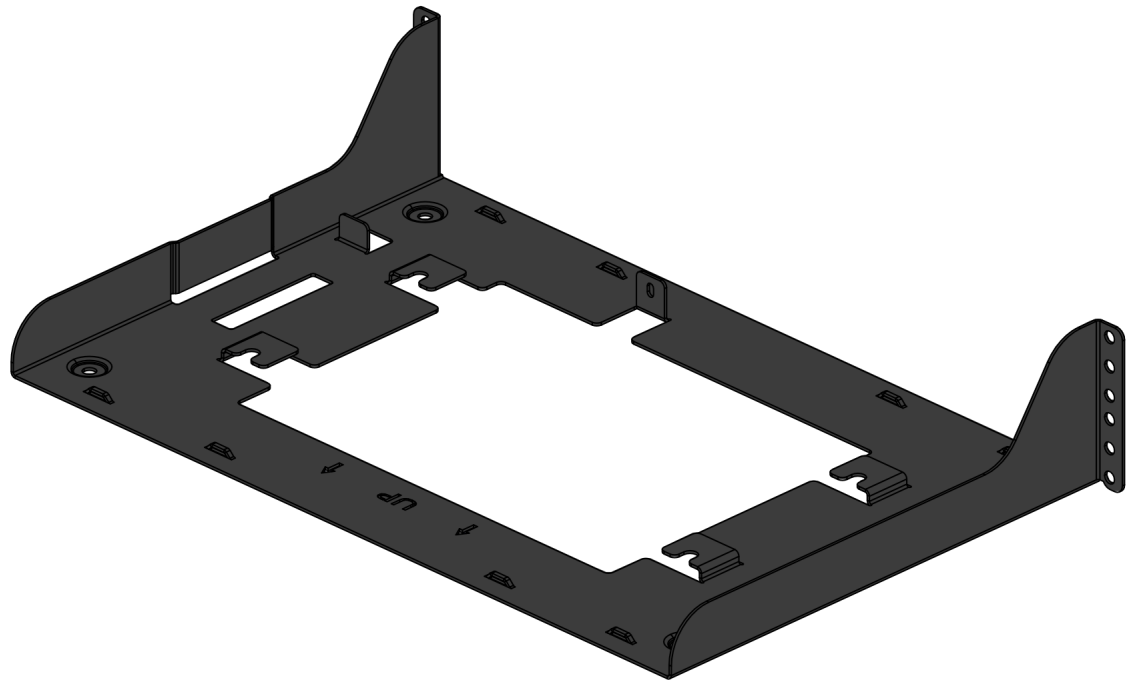


Kit Instructions

N4000 Mount Bracket



1659-K001
Issue A



The product described in this document is a licensed product of NCR Corporation.

NCR is a registered trademark of NCR Corporation. Product names mentioned in this publication may be trademarks or registered trademarks of their respective companies and are hereby acknowledged.

Where creation of derivative works, modifications or copies of this NCR copyrighted documentation is permitted under the terms and conditions of an agreement you have with NCR, NCR's copyright notice must be included.

It is the policy of NCR Corporation (NCR) to improve products as new technology, components, software, and firmware become available. NCR, therefore, reserves the right to change specifications without prior notice.

All features, functions, and operations described herein may not be marketed by NCR in all parts of the world. In some instances, photographs are of equipment prototypes. Therefore, before using this document, consult with your NCR representative or NCR office for information that is applicable and current.

To maintain the quality of our publications, we need your comments on the accuracy, clarity, organization, and value of this book. Please use the link below to send your comments.

Email: FD230036@ncr.com

Copyright © 2019
By NCR Corporation
Global Headquarters
864 Spring St NW
Atlanta, GA 30308
U.S.A.
All Rights Reserved

Table of Contents

N4000 Mount Bracket

Introduction	1
Kit Components	2
Required Tools	3
Installation Procedures	4
Rack Mount Installation	5
Wall Mount Installation	9

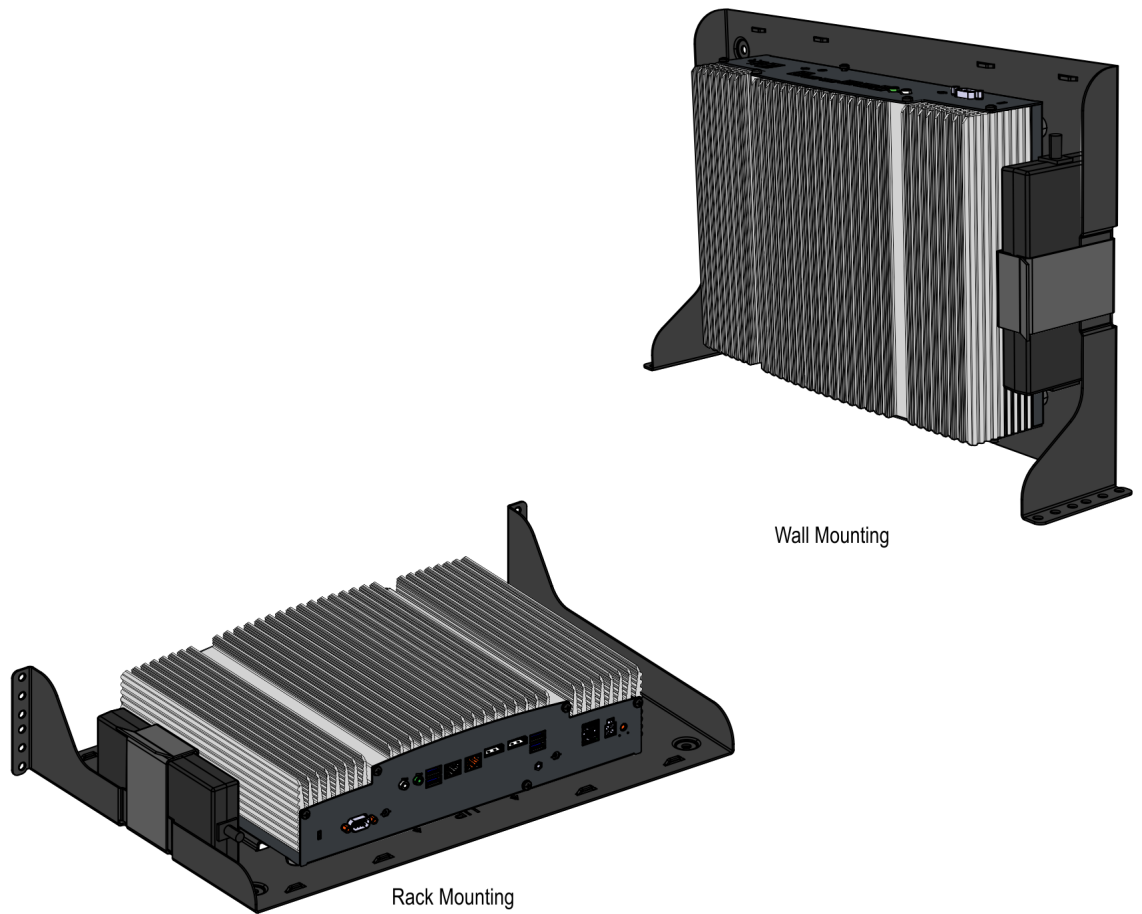
Revision Record

Issue	Date	Remarks
A	Feb 2019	First Issue

N4000 Mount Bracket

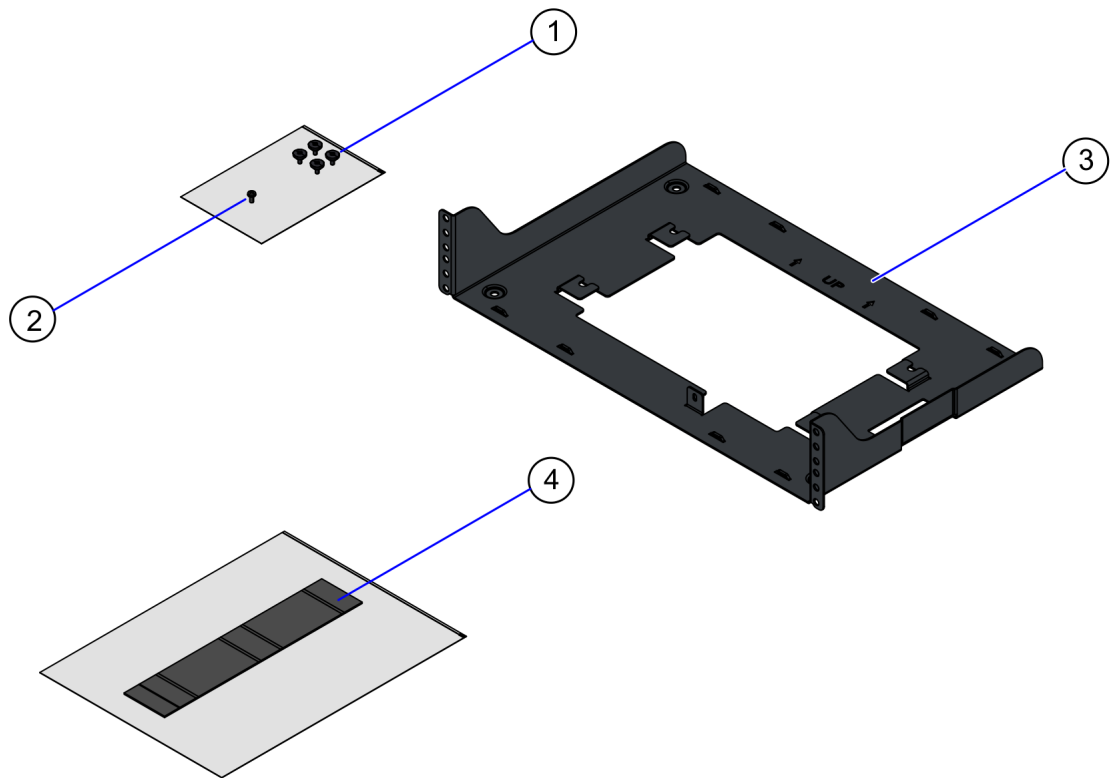
Introduction

This Mount kit provides a solution for mounting the NCR N4000 Site Controller on a rack or to a wall.



CCP-75391

Kit Components



CCP-75380

	Part Number	Description
1	497-0480060	(4) #6-32 x 0.23in Step Pan Head Flat Screw
2	497-0480061	#6-32 x 0.3120in Machine Phillips Pan Head, SEMS, Black
3	497-0522067	N4000 19-inch Mount Bracket
4	497-0522155	N4000 Power Supply Velcro Strap

Required Tools

Rack Mount installation requires the following tools:

- Phillips screwdriver
- Cable ties as needed

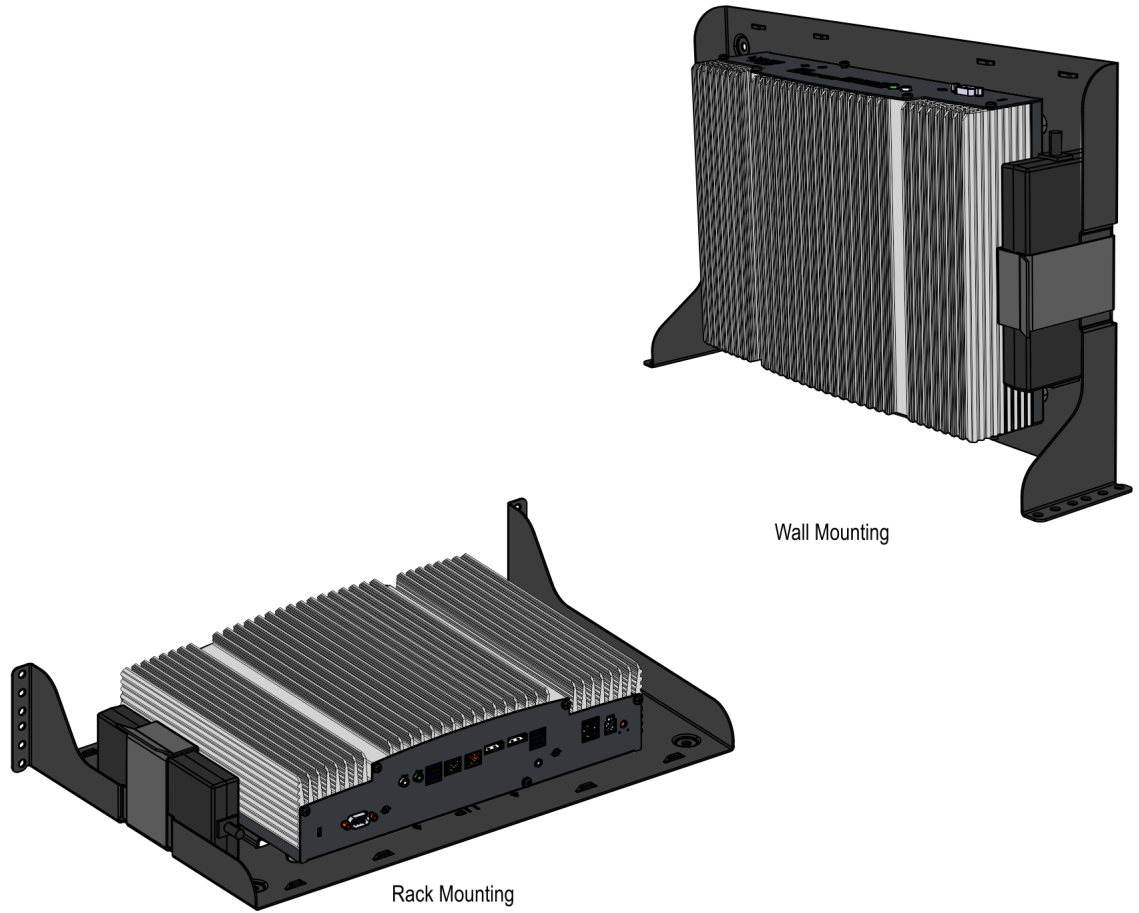
Wall Mount installation requires the following tools:

- Phillips screwdriver
- Pencil or marker
- (4) ¼-20 toggle bolts or similar, depending on mounting substrate — supplied by customers
- Cable ties as needed

Installation Procedures

Refer to the appropriate section below according to your installation requirement:

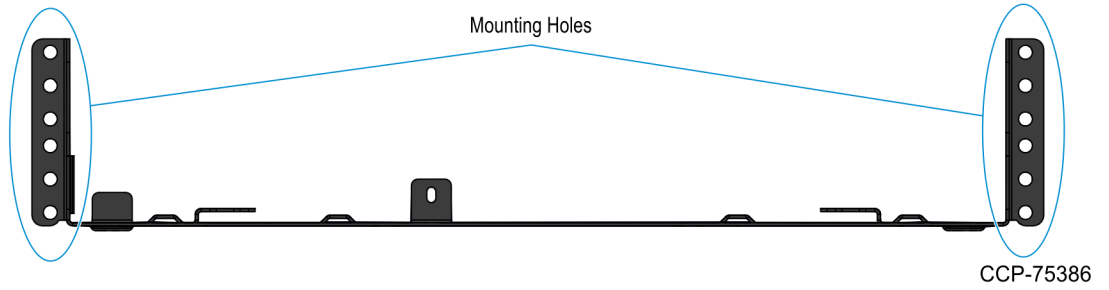
- [Rack Mount Installation](#) on the facing page
- [Wall Mount Installation](#) on page 9



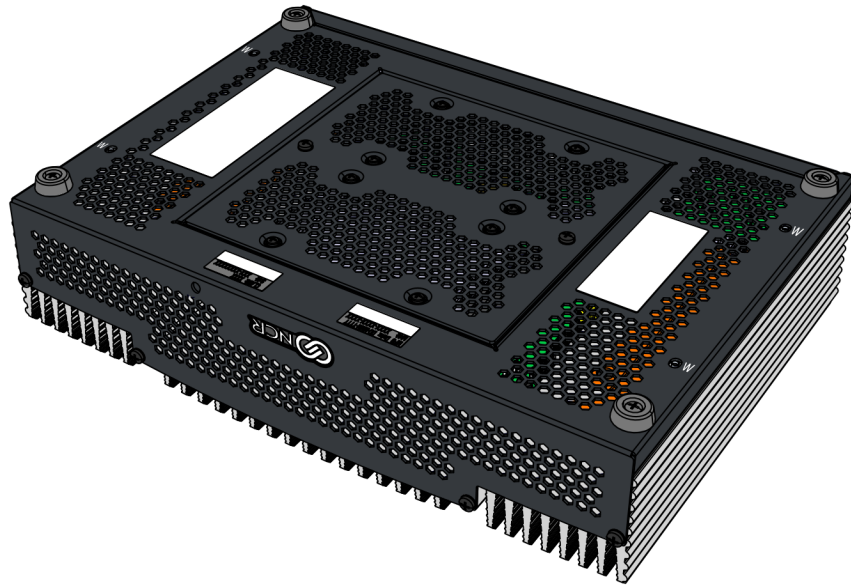
CCP-75391

Rack Mount Installation

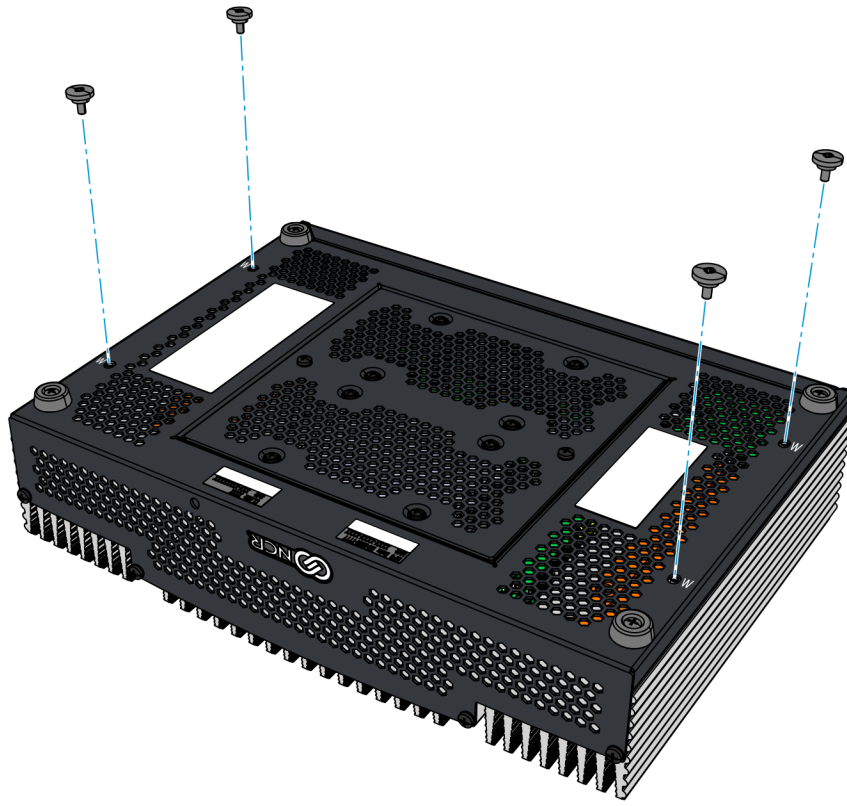
1. Use the mounting holes on the left and right tabs of the Mount Bracket to secure the bracket to the rack.



2. Lay the N4000 face down on a flat surface.



3. Insert the four Step Pan Head Flat Screws into the hole locations marked with a **W**.



CCP-75382

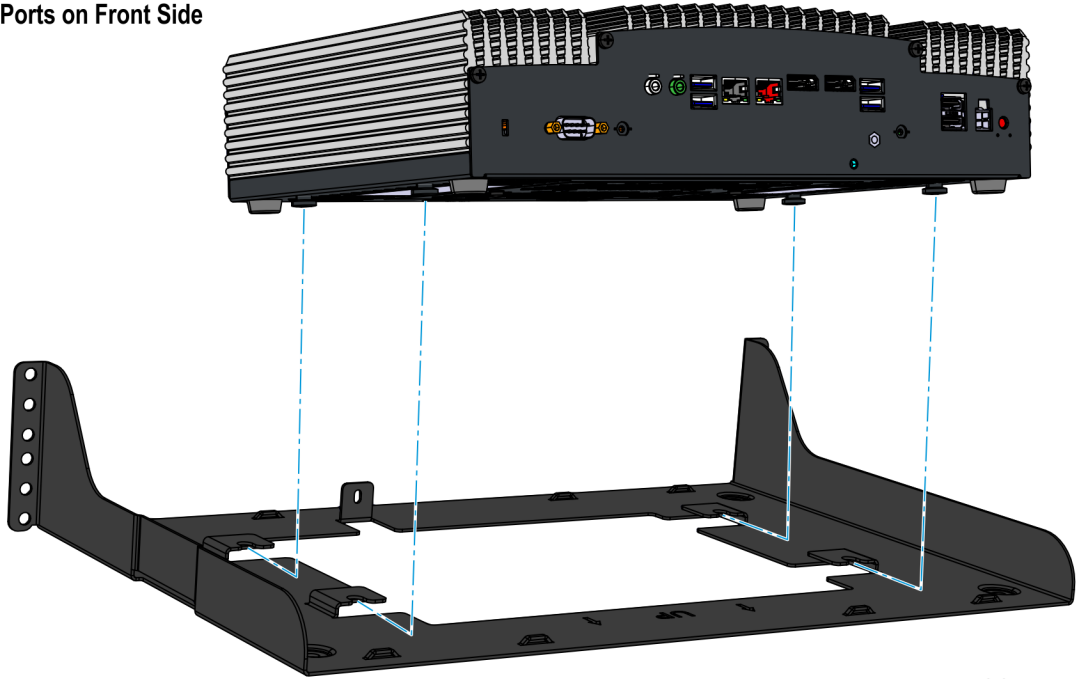
4. Position the N4000 over the bracket, mount the four Step Pan Head Flat Screws onto the bracket, and slide the N4000 forward to lock it in place.



Note: The N4000 can be mounted on the bracket with its port on the front side or on the rear side.

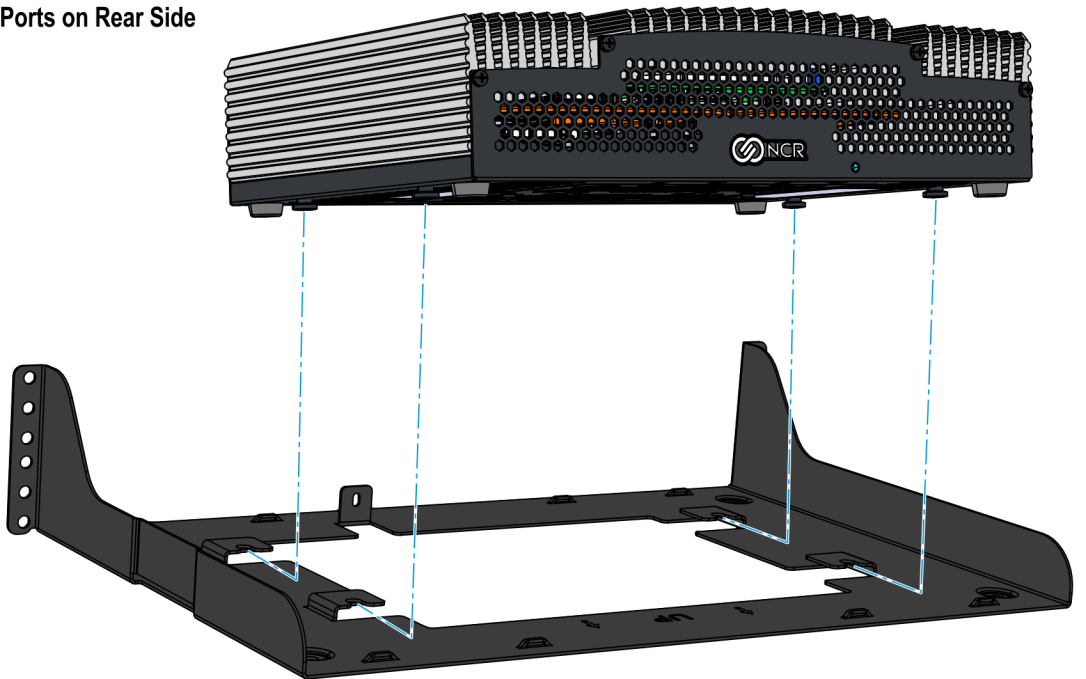
 **Caution:** Ensure that all four screws are fully inserted into the bracket.

Ports on Front Side



CCP-75383

Ports on Rear Side



CCP-75704

5. On the rear side, secure the N4000 with the included security screw.

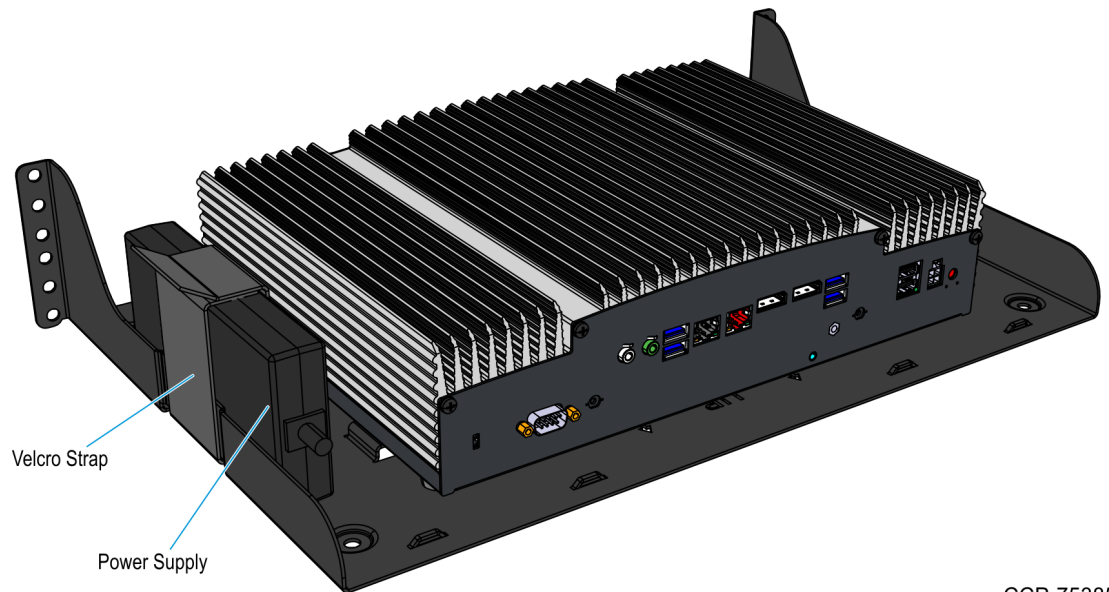


CCP-75384

6. Use the Velcro Strap to secure the Power Supply at the side of the bracket.



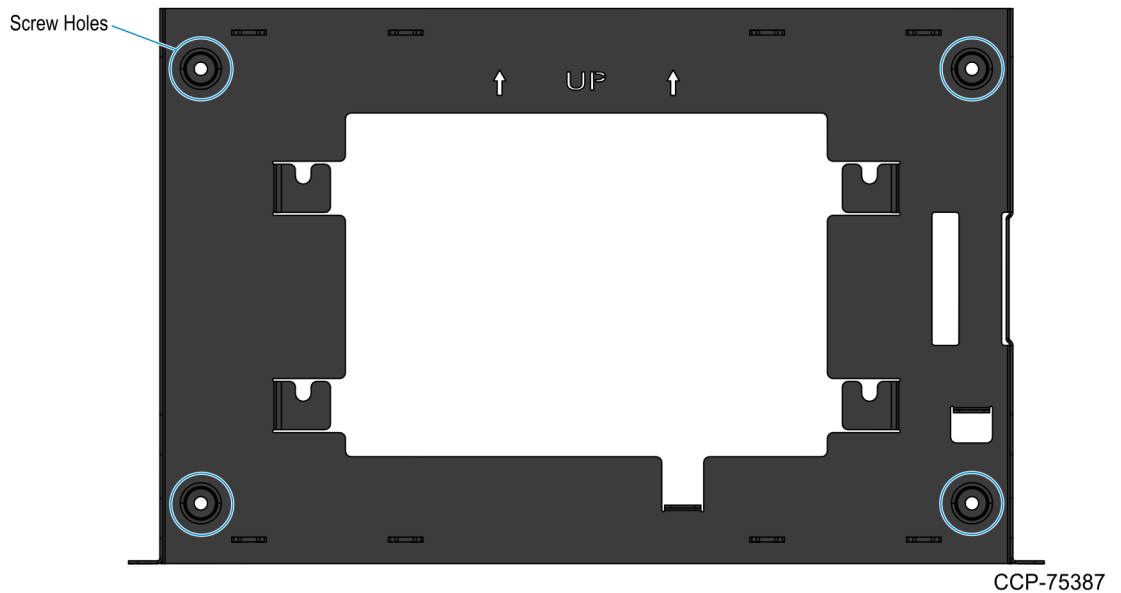
Note: Route and tie the power cord in place as needed.



CCP-75385

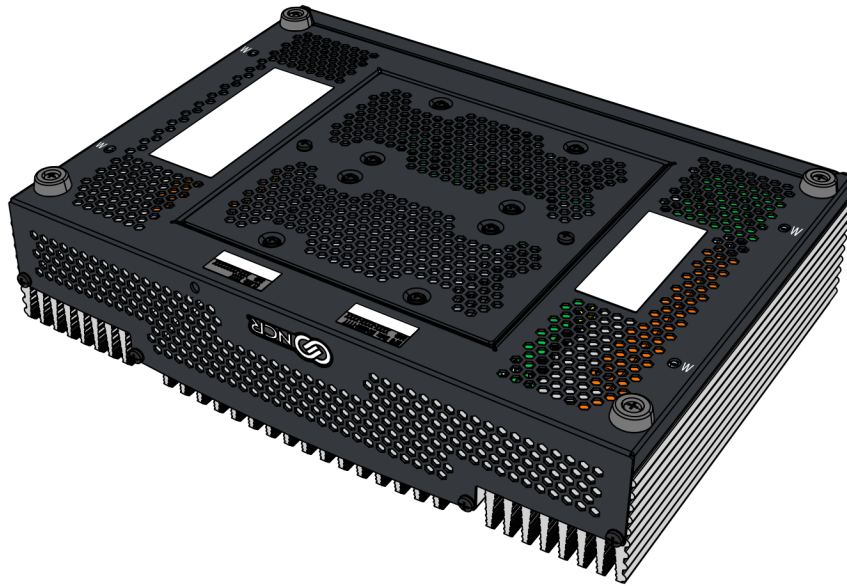
Wall Mount Installation

1. Mark the Mount Bracket screw holes on the wall.
 - a. Using the Mount Bracket as a template, hold it against the wall and mark the four holes. Take note of the "up" arrow indicating the correct orientation of the bracket.
 - b. Remove the bracket and drill a hole at every marked location.



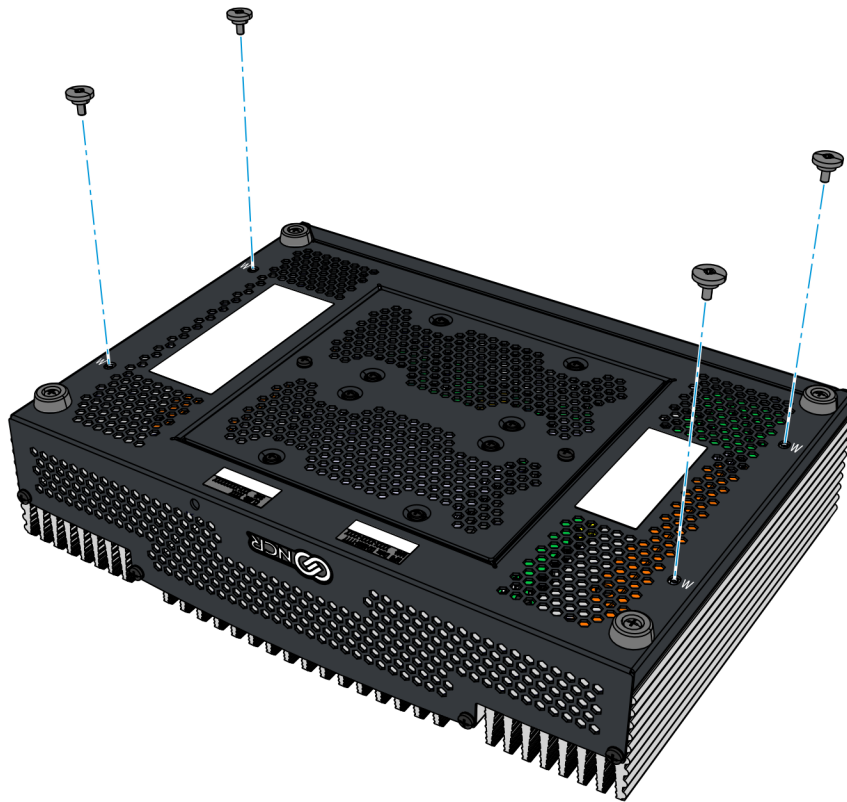
2. Use the toggle bolts to secure the Mount Bracket to the wall.

3. Lay the N4000 face down on a flat surface.



CCP-75703

4. Insert the four Step Pan Head Flat Screws into the hole locations marked with a **W**.



CCP-75382

5. Position the N4000 beside the bracket, mount the four Step Pan Head Flat Screws onto their slots on the bracket, and slide the N4000 downward to lock it in place.

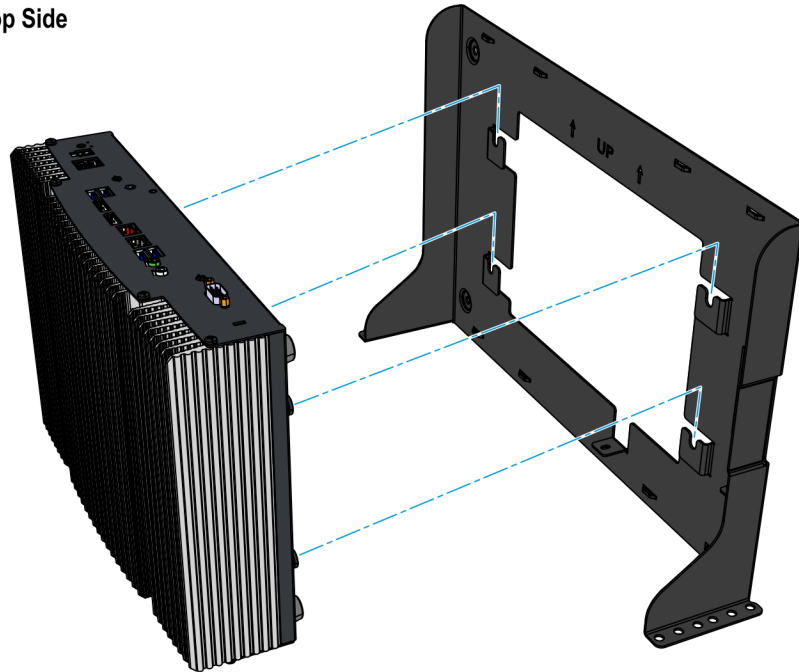


Note: The N4000 can be mounted on the bracket with its port on the top side or on the bottom side.



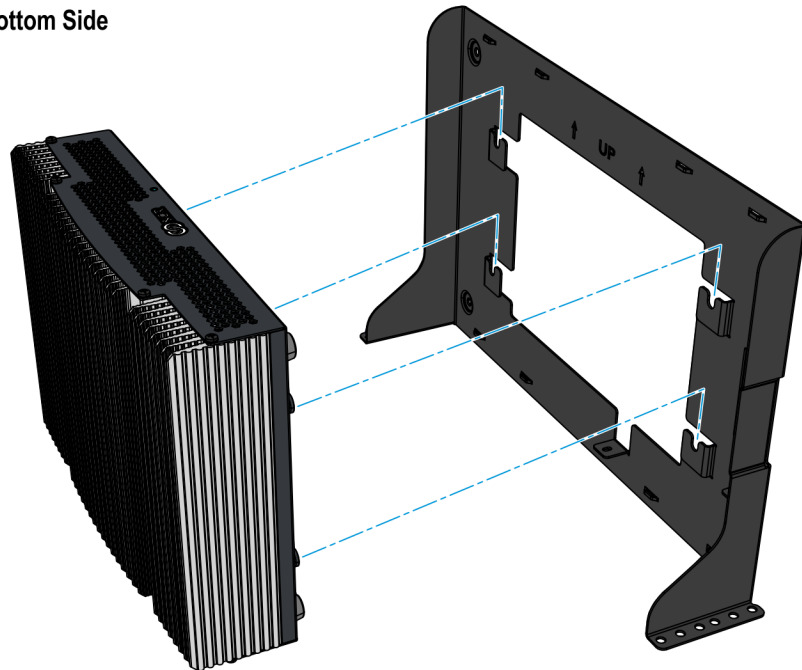
Caution: Ensure that all four screws are fully inserted into the bracket.

Ports on Top Side



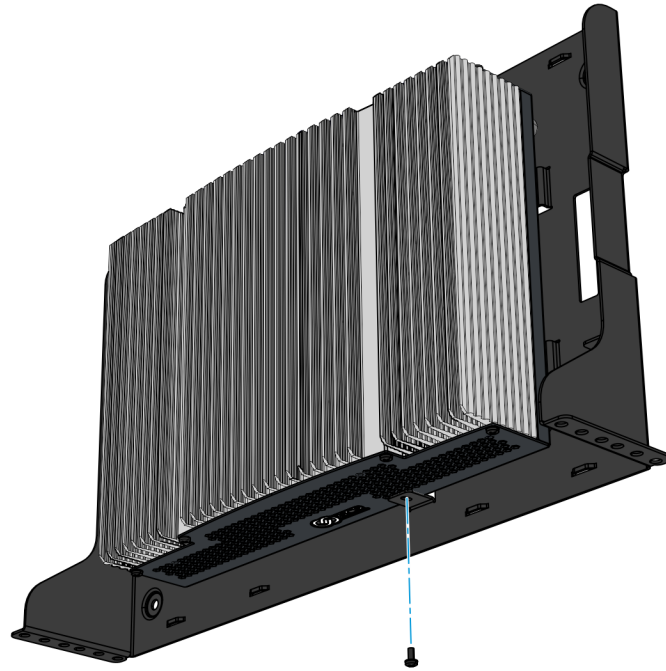
CCP-75388

Ports on Bottom Side



CCP-75702

6. On the bottom side, secure the N4000 with the included security screw.

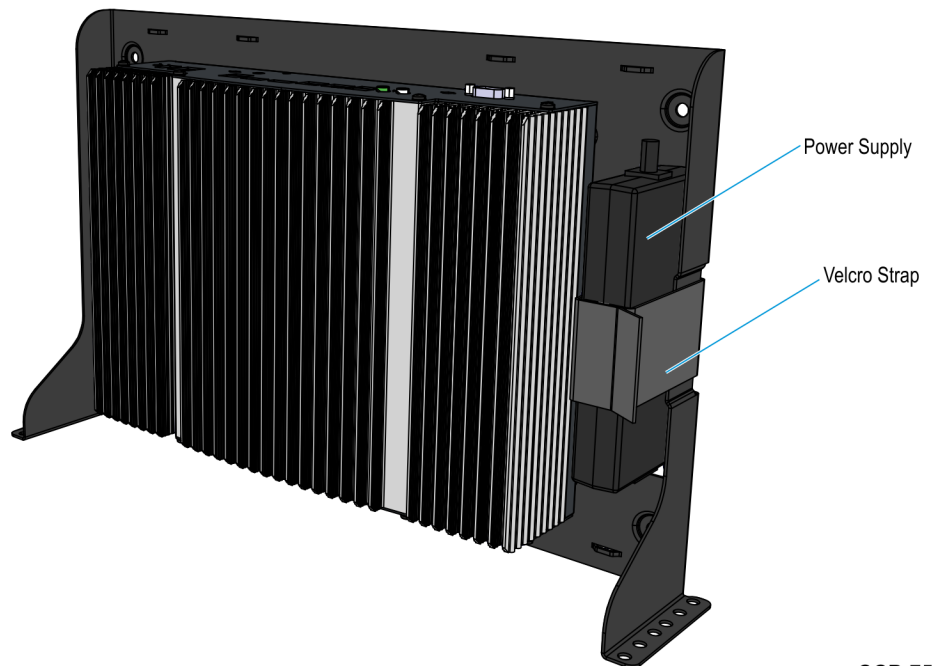


CCP-75389

7. Insert the Power Supply into the power supply pocket on the bracket.



Note: Route and tie the power cord in place as needed.



CCP-75390