

Kit Instructions

N3000 Wall Mount Bracket

1657-K000
Issue A



The product described in this document is a licensed product of NCR Corporation.

NCR is a registered trademark of NCR Corporation. Product names mentioned in this publication may be trademarks or registered trademarks of their respective companies and are hereby acknowledged.

The terms HDMI and HDMI High-Definition Multimedia Interface, and the HDMI Logo are trademarks or registered trademarks of HDMI Licensing LLC in the United States and other countries.

Where creation of derivative works, modifications or copies of this NCR copyrighted documentation is permitted under the terms and conditions of an agreement you have with NCR, NCR's copyright notice must be included.

It is the policy of NCR Corporation (NCR) to improve products as new technology, components, software, and firmware become available. NCR, therefore, reserves the right to change specifications without prior notice.

All features, functions, and operations described herein may not be marketed by NCR in all parts of the world. In some instances, photographs are of equipment prototypes. Therefore, before using this document, consult with your NCR representative or NCR office for information that is applicable and current.

To maintain the quality of our publications, we need your comments on the accuracy, clarity, organization, and value of this book. Please use the link below to send your comments.

Email: FD230036@ncr.com

Copyright © 2018
By NCR Corporation
Atlanta, GA U.S.A.
All Rights Reserved

Table of Contents

N3000 Wall Mount Bracket

| | |
|-------------------------------|---|
| Introduction | 1 |
| Kit Components | 1 |
| Required Tools | 1 |
| Installation Procedures | 2 |

Revision Record

| Issue | Date | Remarks |
|-------|----------|-------------|
| A | Jun 2018 | First Issue |
| | | |
| | | |

N3000 Wall Mount Bracket

Introduction

The Wall Mount Bracket kit provides a solution for mounting the NCR N3000 Site Controller to a wall.

Before installing this kit, consider the following:

- The wall bracket is designed to be mounted using four ¼–20 toggle bolts or similar, depending on mounting substrate.
- The wall bracket is designed to hold the weight of the NCR N3000 Site Controller, its external power supply, and other supporting I/O cables. No additional components or peripherals should be mounted to the wall bracket unless prior approval is given by NCR engineering.
- The mounting surface should be rigid and be able to securely hold the weight of the bracket and the site controller.
- The installer should ensure that the mounting area is clear of all electrical, gas, and water/sewer lines for safety purposes.

Kit Components

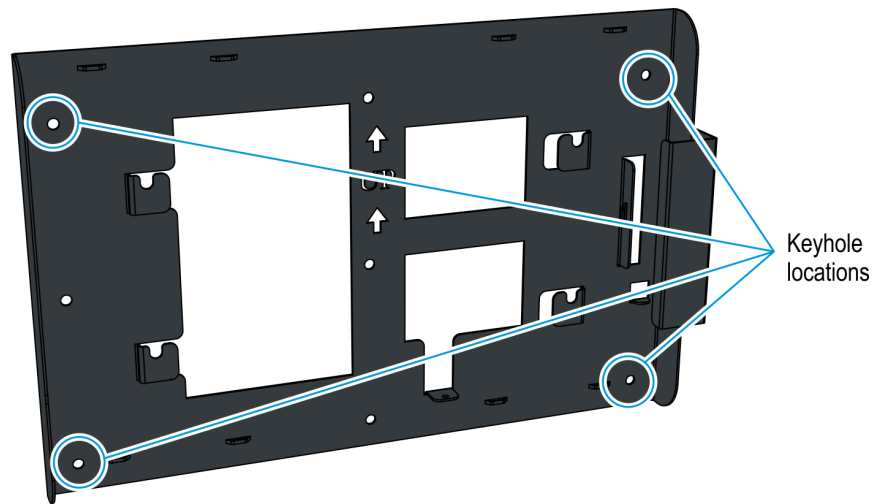
| Part Number | Description |
|-------------|---|
| 497-0479401 | N3000 19-inch Wall Mount Bracket |
| 497-0480060 | (4) #6-32 x 0.23in Step Pan Head Flat Screw |
| 497-0480061 | (2) #6-32 x 0.3120in Machine Phillips Pan Head, SEMS, Black |

Required Tools


- Phillips screwdriver
- Pencil or marker
- (4) ¼–20 toggle bolts or similar, depending on mounting substrate — supplied by customers
- Cable ties as needed

Installation Procedures

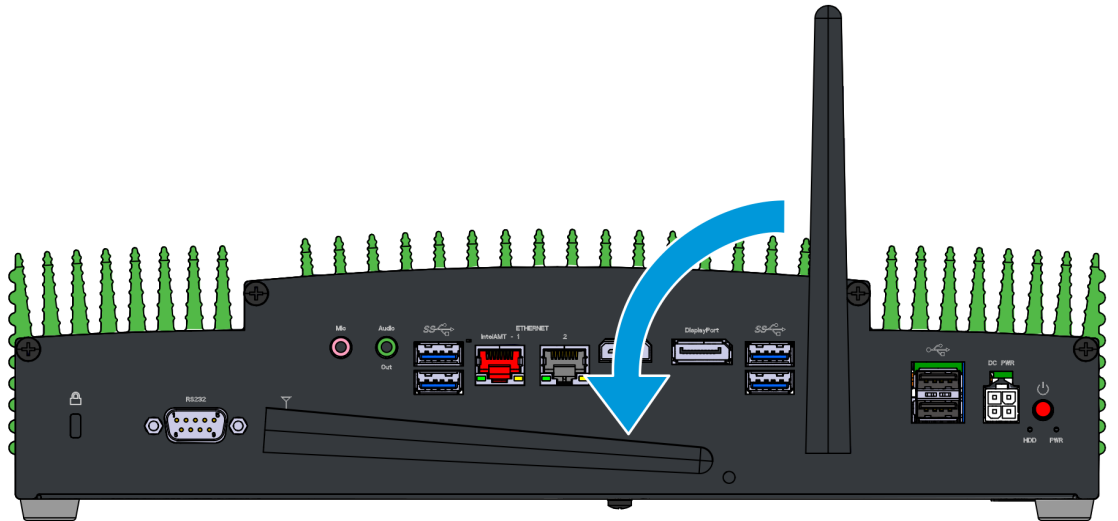
1. Mark the screw holes.



CCP-74119

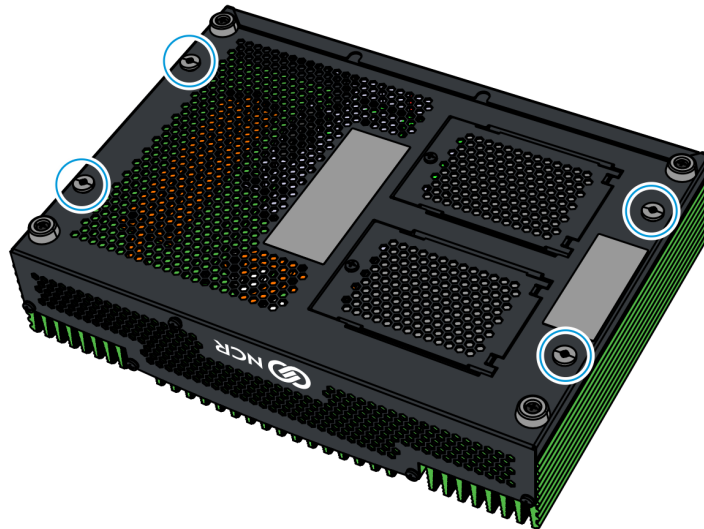
- a. Using the Wall Mount Bracket as a template, hold it against the wall and mark the four holes. Take note of the "up" arrow indicating the correct orientation of the bracket.
 - b. Remove the bracket and drill a hole at every marked location.
2. Install a toggle bolt in each hole.
 **Note:** Leave each bolt loose to allow the bracket to slide between the bolt and the wall.
 3. Mount the Wall Mount Bracket onto the wall.
 - a. Position the bracket on the four loose bolts.
 - b. When the position is confirmed, tighten the four bolts to secure the bracket to the wall.

4. If applicable, rotate the antennas so that they are parallel to the N3000.



CCP-74169

5. Lay the N3000 face down on a flat surface.
6. Insert the four Step Pan Head Flat Screws into the hole locations marked with a **W**.

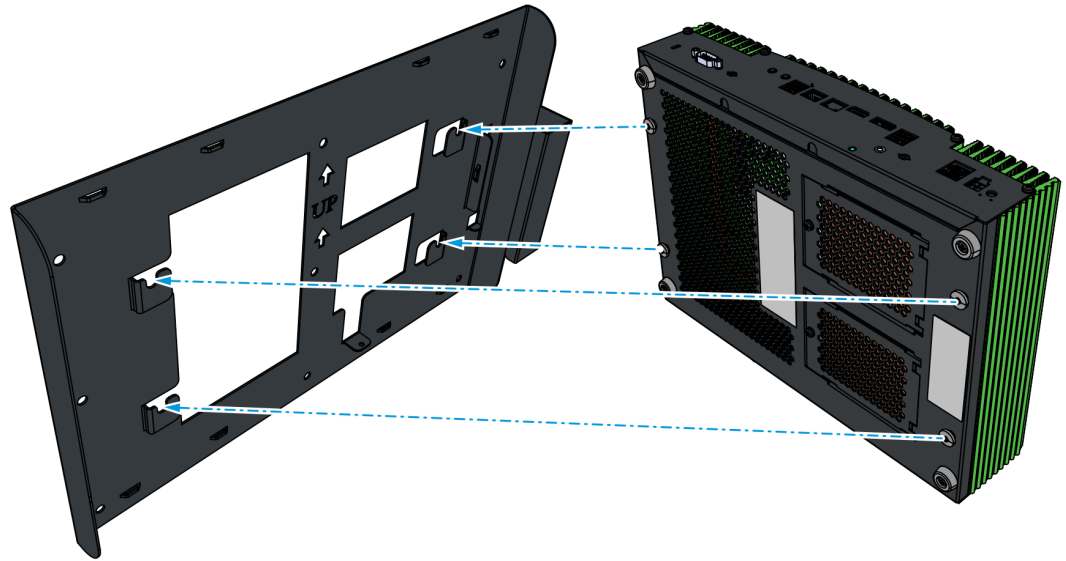


CCP-74120

7. Position the N3000 so that its ports are on top, mount the four Step Pan Head Flat Screws onto their slots on the Wall Mount Bracket, and slide the N3000 downward to lock it in place.

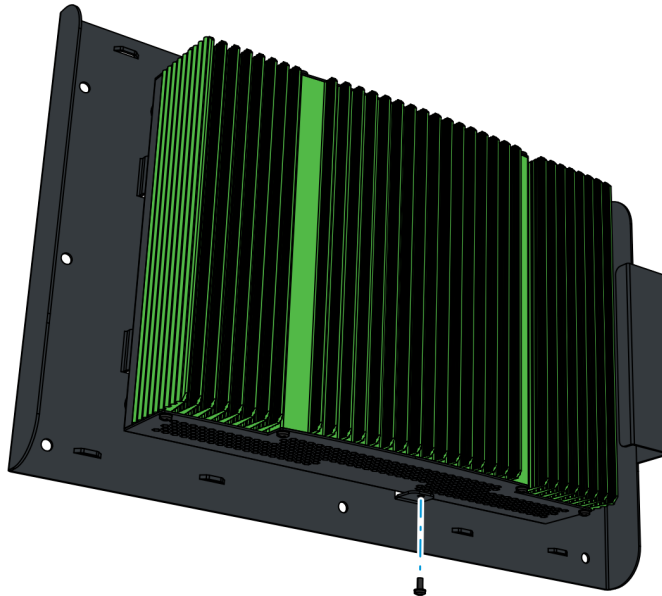


Caution: Ensure that all four screws are fully inserted into the bracket.



CCP-74121

8. Secure the N3000 with the included security screw.



CCP-74122

9. Insert the Power Supply into the power supply pocket on the bracket.



Note: Route and tie the power cord in place as needed.

