

Kit Instructions

SDS Server Solid-State Drive (SSD)



1616-K005/K006/K007/K008/K009/K010
Issue A



The product described in this document is a licensed product of NCR Corporation.

NCR is a registered trademark of NCR Corporation. Product names mentioned in this publication may be trademarks or registered trademarks of their respective companies and are hereby acknowledged.

The terms HDMI and HDMI High-Definition Multimedia Interface, and the HDMI Logo are trademarks or registered trademarks of HDMI Licensing LLC in the United States and other countries.

Where creation of derivative works, modifications or copies of this NCR copyrighted documentation is permitted under the terms and conditions of an agreement you have with NCR, NCR's copyright notice must be included.

It is the policy of NCR Corporation (NCR) to improve products as new technology, components, software, and firmware become available. NCR, therefore, reserves the right to change specifications without prior notice.

All features, functions, and operations described herein may not be marketed by NCR in all parts of the world. In some instances, photographs are of equipment prototypes. Software screen images are representative, and in some cases, may not match a customer's installed software exactly. Therefore, before using this document, consult with your NCR representative or NCR office for information that is applicable and current.

To maintain the quality of our publications, we need your comments on the accuracy, clarity, organization, and value of this book. Please use the link below to send your comments.

Email: FD230036@ncr.com

Copyright © 2021
By NCR Corporation
864 Spring St. NW
Atlanta, GA 30308
United States
All Rights Reserved

Revision Record

Issue	Date	Remarks
A	Feb 2021	First Issue

SDS Server Solid-State Drive (SSD)

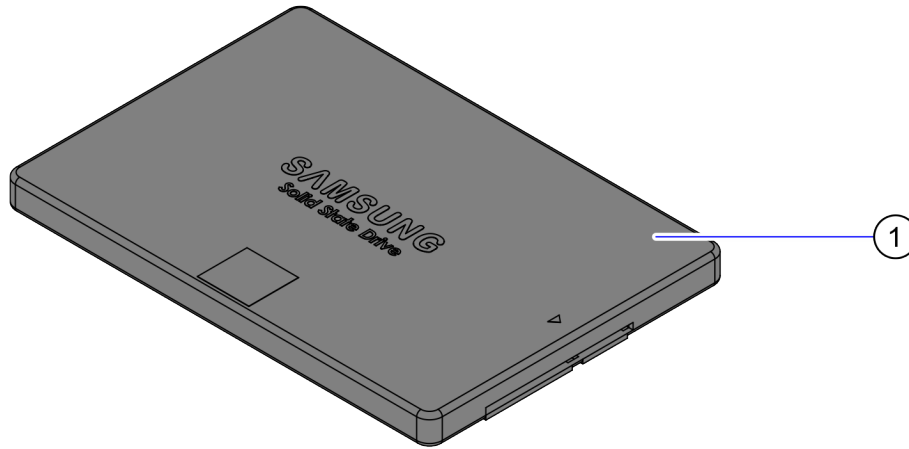
This publication provides procedures for installing the SDS Server Solid-State Drive (SSD) to NCR Software Defined Store (SDS) Server (1616) .



Caution: To prevent injury or product damage when handling SSDs, observe the following precautions:

- **Shock**—SSDs are built to withstand shock and vibration, and can protect data with greater safety than conventional HDDs. However, protect the product against severe shock. Excessive shock may damage SSD components and may also cause hardware detection failures or operational failures when installed. In addition, severe shock may open or break the SSD cover.
- **Short Circuit**—keep metal objects out of the SATA interface circuit. The SSD may short circuit if the SATA interface comes into contact with a metal object or is exposed to electric shock. This may cause hardware detection failures or operational failures.
- **Disassemble/ Damage/ Removal**—do not disassemble the SSD, damage the SSD, or remove the sticker or the label affixed on the product. Any product that has had its case opened, or its label damaged or removed shall not be covered by the warranty.

Kit Contents




CCP-76465


Part Number		Description
497-0530404		1611-K005 SDS Server SSD, Samsung PM883 960GB, AED
1	006-8628121	Samsung PM883 960GB - MZ7LH960HAJR-00005
2*	497-9999638	Static Bag, 4" X 5", Self seal, Bubble
3*	497-9999639	Static/ESD Warning Label, 1 3/4" X 2 1/2"
4*	497-9999670	Carton - 555 Series Corrugated with Convolutd Foam 6x6x2
5*	497-0423108	Instructions-Kit (Reference Sheet)
497-0530405		1611-K006 SDS Server SSD, Samsung PM883 960GB, WCS
1	006-8628121	Samsung PM883 960GB - MZ7LH960HAJR-00005
2*	497-9999638	Static Bag, 4" X 5", Self seal, Bubble
3*	497-9999639	Static/ESD Warning Label, 1 3/4" X 2 1/2"
4*	497-9999670	Carton - 555 Series Corrugated with Convolutd Foam 6x6x2
5*	497-0423108	Instructions-Kit (Reference Sheet)

Part Number		Description
497-0530406		1611-K007 SDS Server SSD, Samsung PM883 1.92TB, AED
1	006-8628122	Samsung PM883 1.92TB - MZ7LH1T9HMLT-00005
2*	497-9999638	Static Bag, 4" X 5", Self seal, Bubble
3*	497-9999639	Static/ESD Warning Label, 1 3/4" X 2 1/2"
4*	497-9999670	Carton - 555 Series Corrugated with Convolutd Foam 6x6x2
5*	497-0423108	Instructions-Kit (Reference Sheet)
497-0530407		1611-K008 SDS Server SSD, Samsung PM883 1.92TB, WCS
1	006-8628122	Samsung PM883 1.92TB - MZ7LH1T9HMLT-00005
2*	497-9999638	Static Bag, 4" X 5", Self seal, Bubble
3*	497-9999639	Static/ESD Warning Label, 1 3/4" X 2 1/2"
4*	497-9999670	Carton - 555 Series Corrugated with Convolutd Foam 6x6x2
5*	497-0423108	Instructions-Kit (Reference Sheet)
497-0530408		1611-K009 SDS Server SSD, Samsung PM883 3.84TB, AED
1	006-8628123	Samsung PM883 3.84TB - MZ7LH3T8HMLT-00005
2*	497-9999638	Static Bag, 4" X 5", Self seal, Bubble
3*	497-9999639	Static/ESD Warning Label, 1 3/4" X 2 1/2"
4*	497-9999670	Carton - 555 Series Corrugated with Convolutd Foam 6x6x2
5*	497-0423108	Instructions-Kit (Reference Sheet)
497-0530409		1611-K010 SDS Server SSD, Samsung PM883 3.84TB, WCS
1	006-8628123	Samsung PM883 3.84TB - MZ7LH3T8HMLT-00005
2*	497-9999638	Static Bag, 4" X 5", Self seal, Bubble
3*	497-9999639	Static/ESD Warning Label, 1 3/4" X 2 1/2"
4*	497-9999670	Carton - 555 Series Corrugated with Convolutd Foam 6x6x2
5*	497-0423108	Instructions-Kit (Reference Sheet)

* Items marked with an asterisk are not shown on the image.


Installation Procedures

 **Warning:** Please ensure that the Device's power is turned OFF and the power cable is unplugged before removing the cover to replace or install the SSD. Serious damage may occur if an SSD is removed or installed while the power is ON. Even though many devices support SATA's Hot Plugging (Hot Swapping) feature, Samsung strongly recommends to turn the power OFF before starting the installation process.


 **Note:** Hot Plugging (Hot Swapping) allows changing storage devices while the power is turned on.

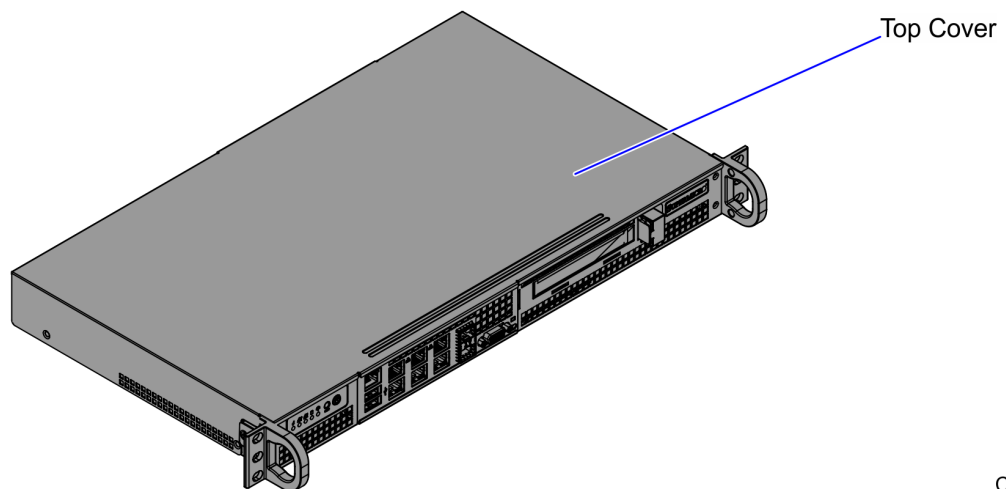
Installing the Solid-State Drive (SSD) involves the following procedures:

1. Remove power from the SDS Server.
 - a. Use the operating system to power down the system.
 - b. After the system has fully shut down, disconnect the AC power cord from the power strip or outlet.

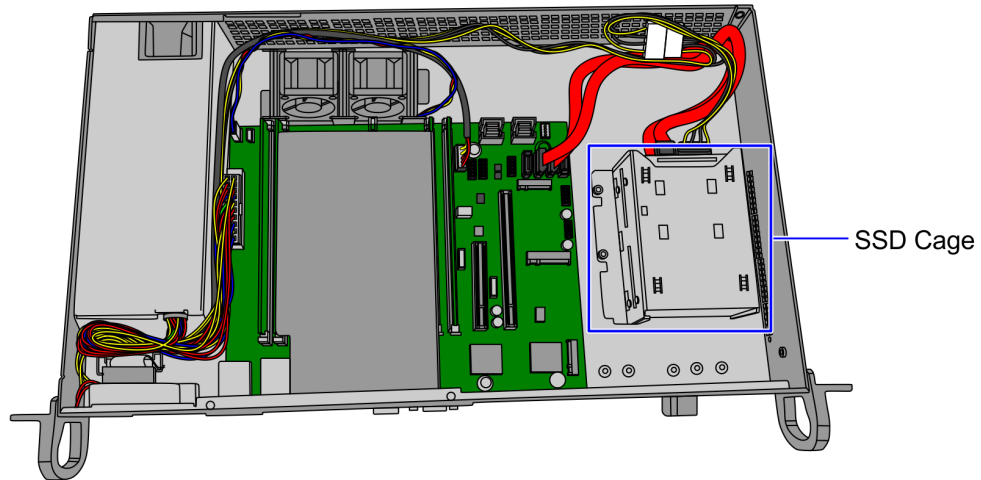
 **Note:** If the system has more than one power supply, remove the AC power cords from all power supply modules.

2. If mounted on the Server Rack, remove the SDS Server from the rack. For more information, refer to [Unmounting the SDS Server from the Server Rack](#) on page 6.
3. Remove the Top Cover to access the SSD. For more information, refer to [Removing the Top Cover](#) on page 7.

 **Note:** The length of the screws from the SSD Cage and the Top Cover are slightly different. Separate the screws to avoid confusion.



4. If an SSD is already installed in the SDS Server, remove the old SSD from the SSD Cage. For more information, refer to [Removing the SSD](#) on page 8.



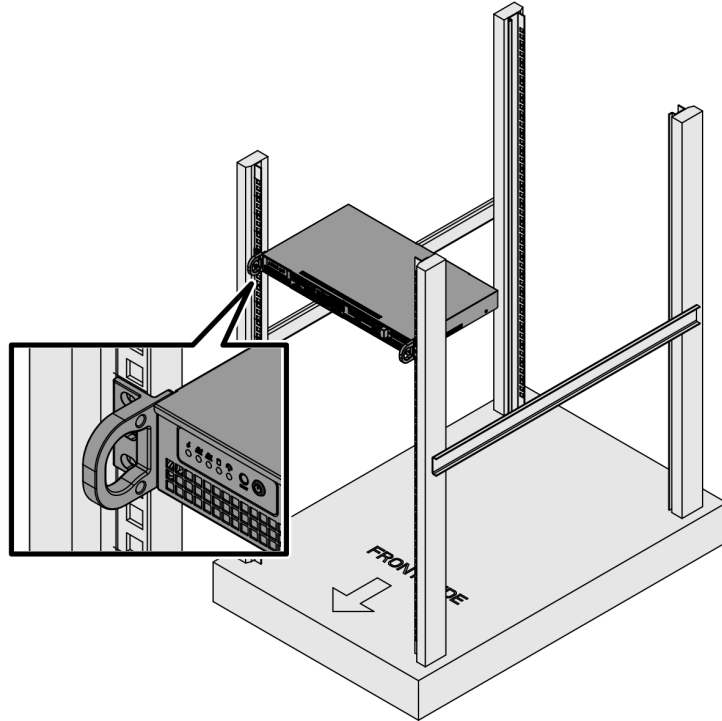
CCP-78393

5. Install the new SSD into the SSD Cage and return the cage into the chassis. For more information, refer to [Installing the SSD](#) on page 10.
6. Install the Top Cover. For more information, refer to [Installing the Top Cover](#) on page 12.
7. If previously mounted on the Server Rack, mount the SDS Server back on the rack. For more information, refer to [Mounting the Server on the Server Rack](#) on page 13.

Unmounting the SDS Server from the Server Rack

To unmount the SDS Server from the Server Rack, do the following:

- While supporting the weight of the SDS Server, remove the four (4) mounting screws that secure the Server to the Server Rack, and then lift the Server off the rack.

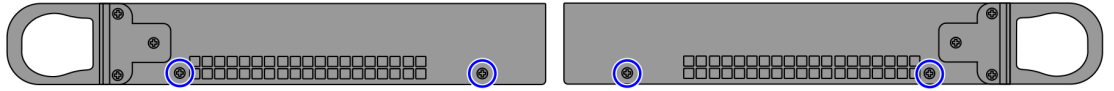


Removing the Top Cover

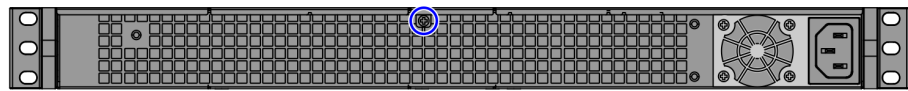
To remove the Top Cover, follow these steps:

1. Remove five (5) screws from the chassis (two on each side and one on the back), as shown in the image below.

Side View

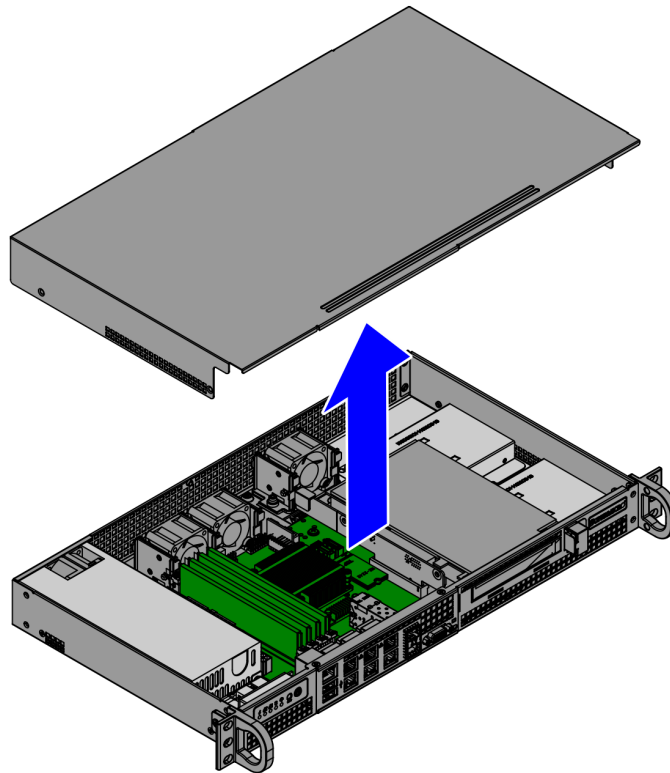


Back View



CCP-78389

2. Lift the Top Cover.

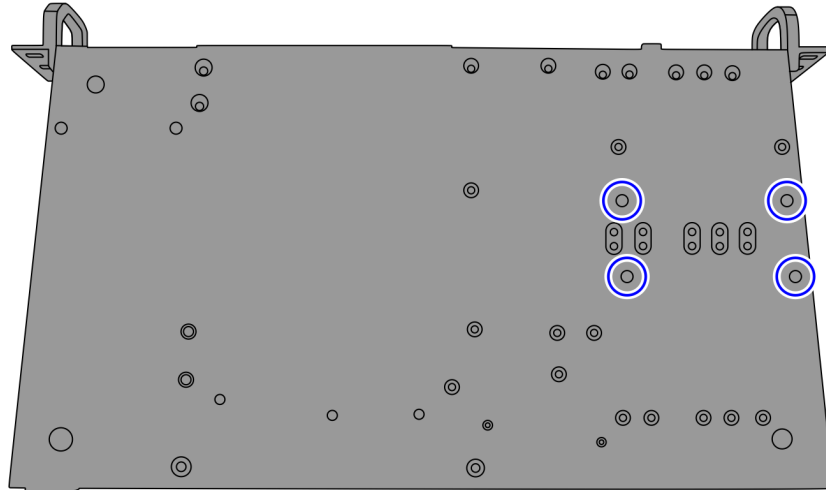


CCP-78390

Removing the SSD

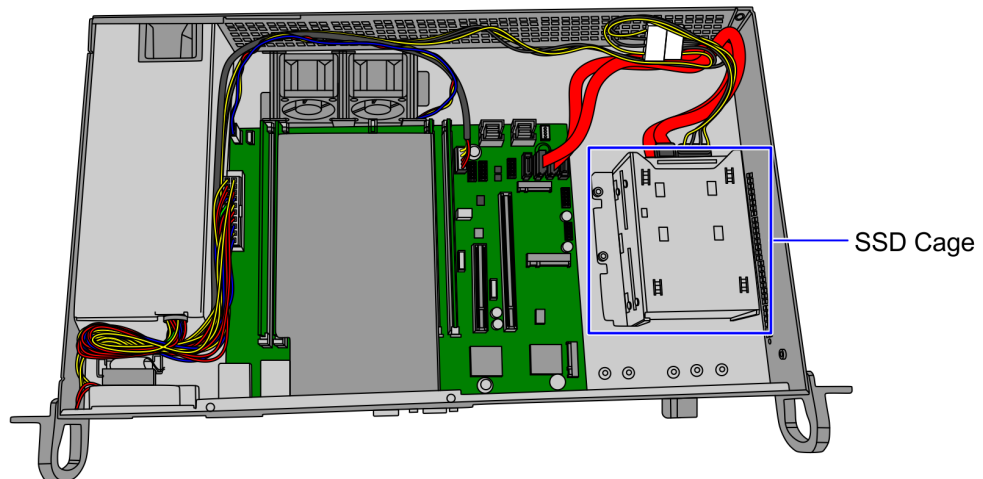
To remove the SSD, follow these steps:

1. Remove four (4) screws from the bottom that secure the SSD Cage to the chassis.



CCP-78392

2. Remove the SSD Cage from the chassis.

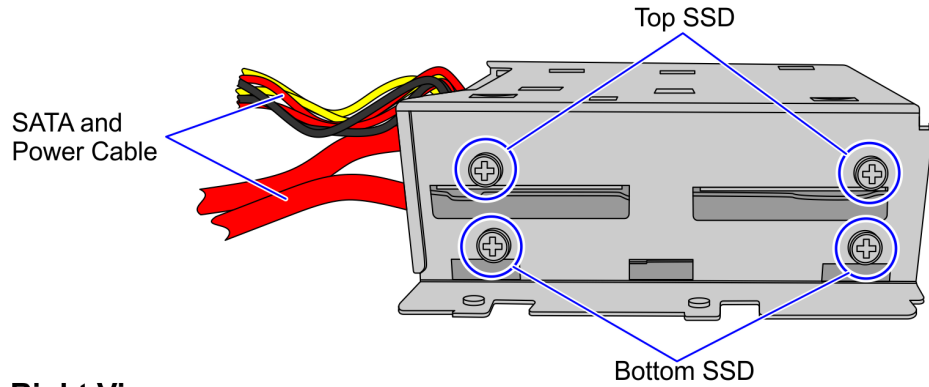


CCP-78393

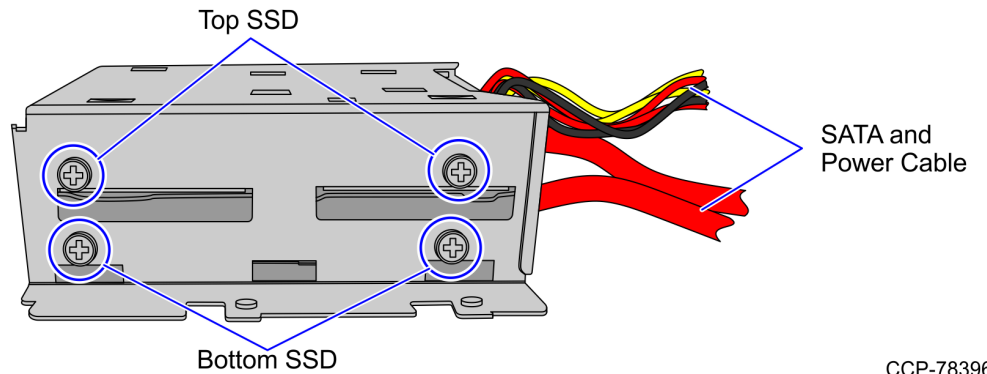
3. Do the following:

- Remove the top four (4) screws to detach the top SSD.
- Remove the bottom (4) screws to detach the bottom SSD.

Left View



Right View



CCP-78396

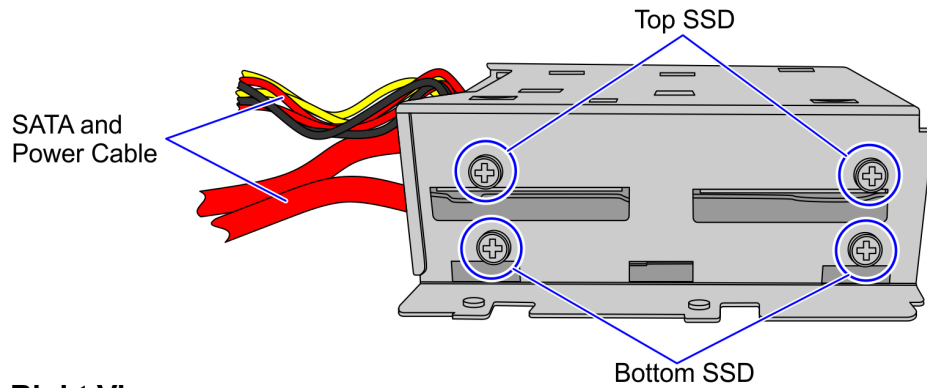
4. Disconnect the SATA and power cables.
5. Slide out the SDD from the SDD Cage.

Installing the SSD

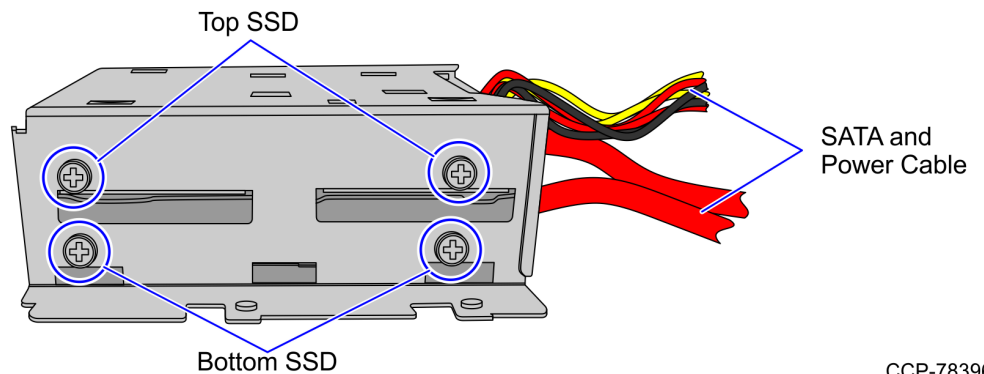
To install the SSD, follow these steps:

1. Slide the SSD into the SSD Cage.
2. Do the following:
 - Secure the top SSD to the SSD Cage using four (4) screws.
 - Secure the bottom SSD to the SSD Cage using four (4) screws.

Left View

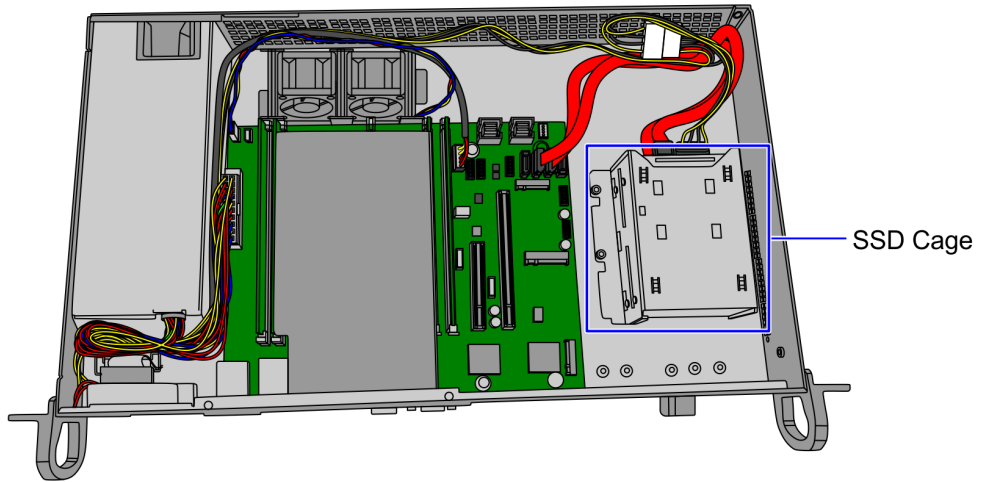


Right View



3. Connect the SATA and power cables.

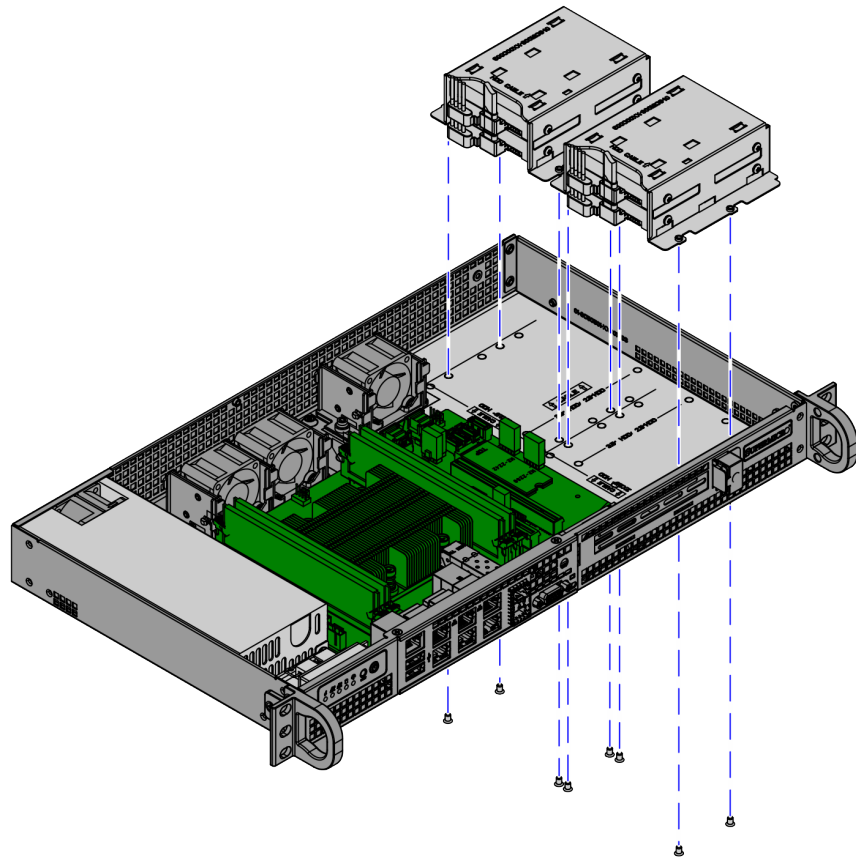
4. Position the SSD Cage on the chassis and secure using four (4) screws on the bottom of the chassis.



CCP-78393



Note: If using two drives, orient the drives with the cable connections facing the motherboard.

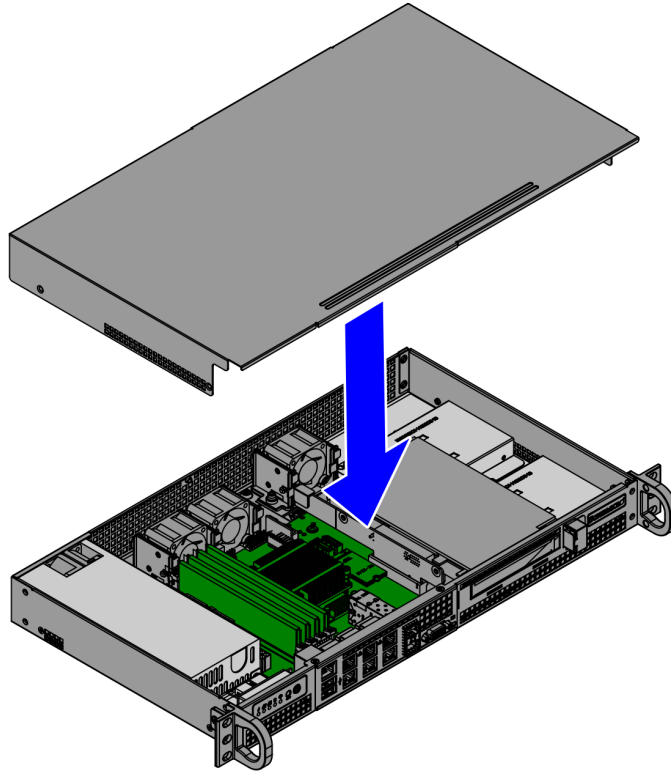


CCP-76464

Installing the Top Cover

To install the Top Cover, follow these steps:

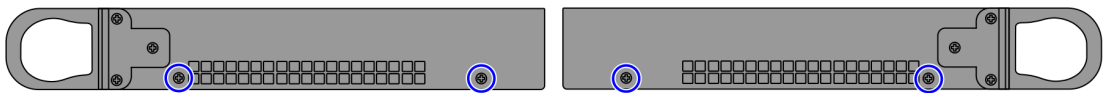
1. Place the Top Cover on the chassis, as shown in the image below.



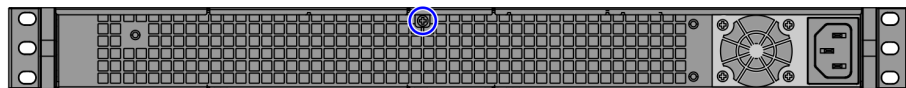
CCP-78391

2. Secure the Top Cover using five (5) screws (two on each side and one on the back).

Side View



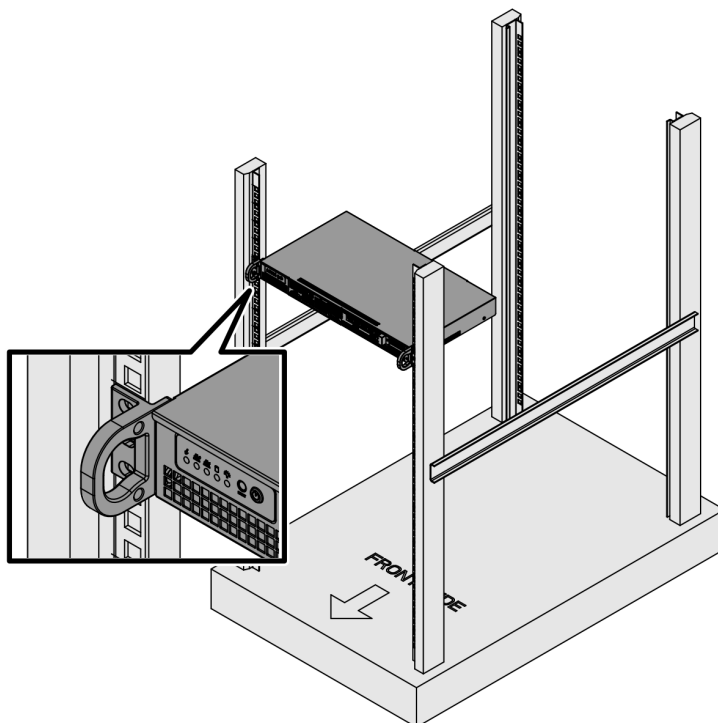
Back View



CCP-78389

Mounting the Server on the Server Rack

To mount the SDS Server to the Server Rack, align its mounting holes with the through-holes of the Server Rack, and then secure the Server with four (4) mounting screws.



CCP-79710

