

Kit Instructions

Small Single Button Box Bracket

1613-K201
Issue A



The product described in this document is a licensed product of NCR Corporation.

NCR is a registered trademark of NCR Corporation. Product names mentioned in this publication may be trademarks or registered trademarks of their respective companies and are hereby acknowledged.

Where creation of derivative works, modifications or copies of this NCR copyrighted documentation is permitted under the terms and conditions of an agreement you have with NCR, NCR's copyright notice must be included.

It is the policy of NCR Corporation (NCR) to improve products as new technology, components, software, and firmware become available. NCR, therefore, reserves the right to change specifications without prior notice.

All features, functions, and operations described herein may not be marketed by NCR in all parts of the world. In some instances, photographs are of equipment prototypes. Therefore, before using this document, consult with your NCR representative or NCR office for information that is applicable and current.

To maintain the quality of our publications, we need your comments on the accuracy, clarity, organization, and value of this book. Please use the link below to send your comments.

Email: FD230036@ncr.com

Copyright © 2017
By NCR Corporation
Duluth, GA U.S.A.
All Rights Reserved

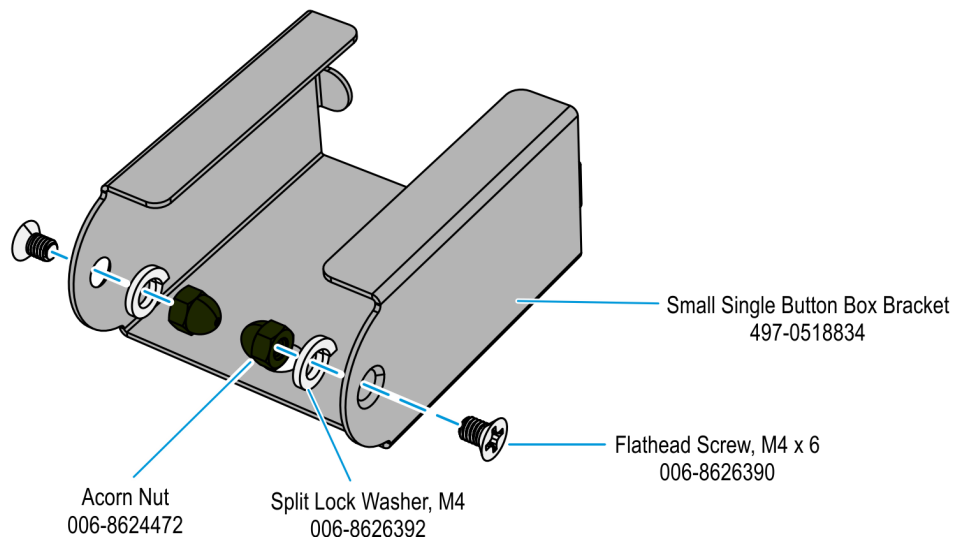
Revision Record

Issue	Date	Remarks
A	Aug 2017	First Issue

Small Single Button Box Bracket

This kit contains the Small Single Button Box Bracket that is used to enclose the Small Single Button Box.

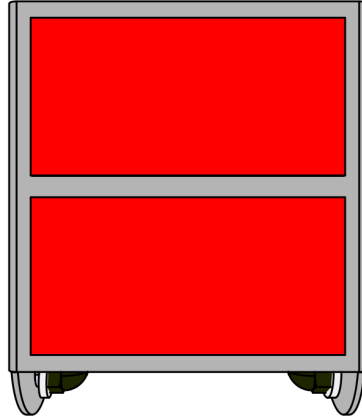
Kit Contents



CCP-72100

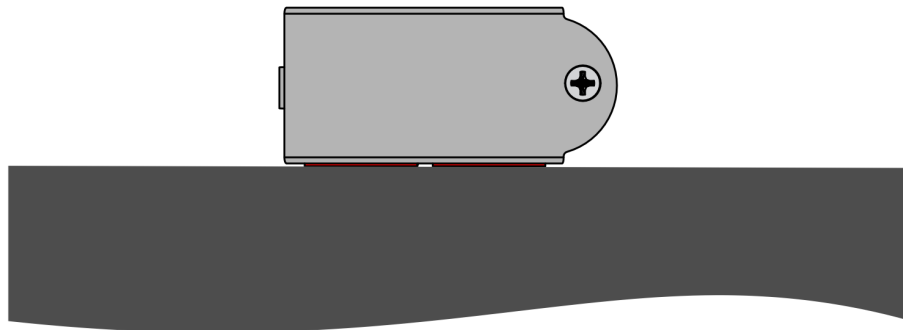
Installation Instructions

1. Peel off the protective film of the double-sided tape under the Small Single Button Box Bracket



CCP-71976

2. Adhere the Small Single Button Box Bracket to the desired surface of installation. Be sure to clean the surface first before fixing the Bracket.



CCP-71977



Note: Keep the 2 Acorn Nuts, 2 Split Lock Washers, and 2 Flathead Screws that is placed inside the Zip Lock. This will be used in installing the Small Single Button Box to this Bracket.