

# Kit Instructions

## Small Single Button Box

1613-K100  
Issue A



---

The product described in this document is a licensed product of NCR Corporation.

NCR is a registered trademark of NCR Corporation. Product names mentioned in this publication may be trademarks or registered trademarks of their respective companies and are hereby acknowledged.

Where creation of derivative works, modifications or copies of this NCR copyrighted documentation is permitted under the terms and conditions of an agreement you have with NCR, NCR's copyright notice must be included.

It is the policy of NCR Corporation (NCR) to improve products as new technology, components, software, and firmware become available. NCR, therefore, reserves the right to change specifications without prior notice.

All features, functions, and operations described herein may not be marketed by NCR in all parts of the world. In some instances, photographs are of equipment prototypes. Therefore, before using this document, consult with your NCR representative or NCR office for information that is applicable and current.

To maintain the quality of our publications, we need your comments on the accuracy, clarity, organization, and value of this book. Please use the link below to send your comments.

Email: [FD230036@ncr.com](mailto:FD230036@ncr.com)

Copyright © 2017  
By NCR Corporation  
Duluth, GA U.S.A.  
All Rights Reserved

## Revision Record

Issue	Date	Remarks
A	Aug 2017	First Issue

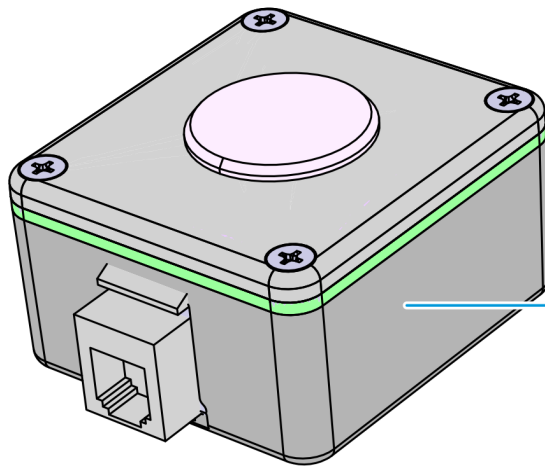
---

# Small Single Button Box

---

This kit contains the components to add a Small Single Button Box to the Button Controller Box.

## Kit Contents

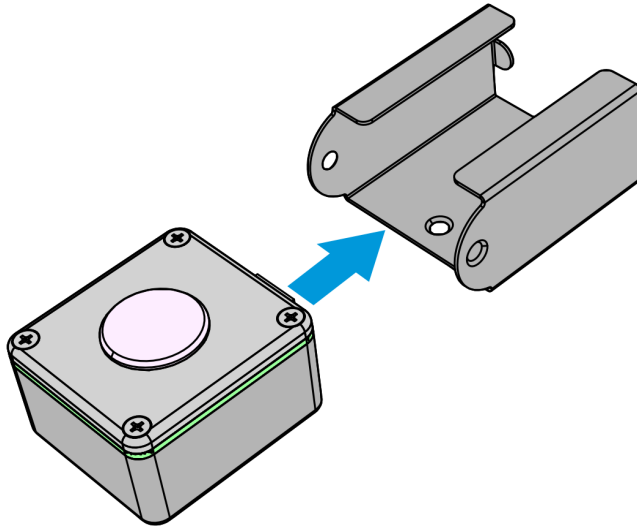


Single Button Box, Small  
497-0518832

CCP-71978

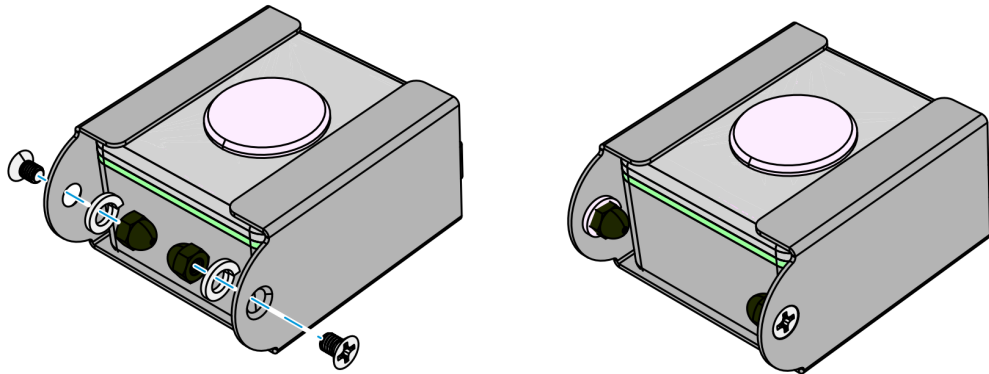
# Installation Instructions

1. Insert the Small Single Button Box to the Small Single Button Box Bracket.



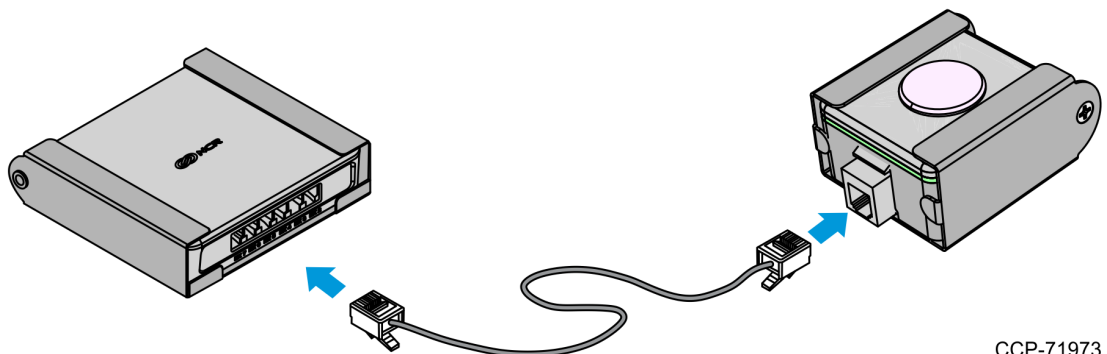
CCP-71971

2. Secure the Small Single Button Box using the 2 Acorn Nuts, 2 Split Lock Washers, and 2 Flat Head Screws, which are included in the Small Single Button Box Bracket Kit.



CCP-71972

3. Connect the Small Single Button Box to the Button Controller Box using the RJ11 cable.



CCP-71973