

# Kit Instructions

## Customer Display Post Mount

5975-K833-K836  
Issue C



---

The product described in this document is a licensed product of NCR Corporation.

NCR is a registered trademark of NCR Corporation. NCR RealPOS is a trademark of NCR Corporation in the United States and/or other countries. Other product names mentioned in this publication may be trademarks or registered trademarks of their respective companies and are hereby acknowledged.

The terms HDMI and HDMI High-Definition Multimedia Interface, and the HDMI Logo are trademarks or registered trademarks of HDMI Licensing LLC in the United States and other countries.

Where creation of derivative works, modifications or copies of this NCR copyrighted documentation is permitted under the terms and conditions of an agreement you have with NCR, NCR's copyright notice must be included.

It is the policy of NCR Corporation (NCR) to improve products as new technology, components, software, and firmware become available. NCR, therefore, reserves the right to change specifications without prior notice.

All features, functions, and operations described herein may not be marketed by NCR in all parts of the world. In some instances, photographs are of equipment prototypes. Therefore, before using this document, consult with your NCR representative or NCR office for information that is applicable and current.

To maintain the quality of our publications, we need your comments on the accuracy, clarity, organization, and value of this book. Please use the link below to send your comments.

*Email:* [FD230036@ncr.com](mailto:FD230036@ncr.com)

Copyright © 2017  
By NCR Corporation  
Duluth, GA U.S.A.  
All Rights Reserved

## Revision Record

Issue	Date	Remarks
A	Nov 2006	First Issue
B	Jun 2014	Added NCR 5976 Updated the installation procedures
C	Jan 2015	Added 5975-2100 (Black)

---

# Customer Display Post Mount

---

## Introduction

This kit provides the components to mount NCR 5972, NCR 5975, and NCR 5976 Customer Displays in an integrated configuration or a remote table-top mount.

There are six versions of this kit:

- 5975-K833 – 4" and 8" posts, G11
- 5975-K834 – 4" and 8" posts, CG1
- 5976-K837 – 4" and 8" posts, BK
- 5975-K835 – 12" and 16" posts, G11
- 5975-K836 – 12" and 16" posts, CG1
- 5976-K838 – 12" and 16" posts, BK

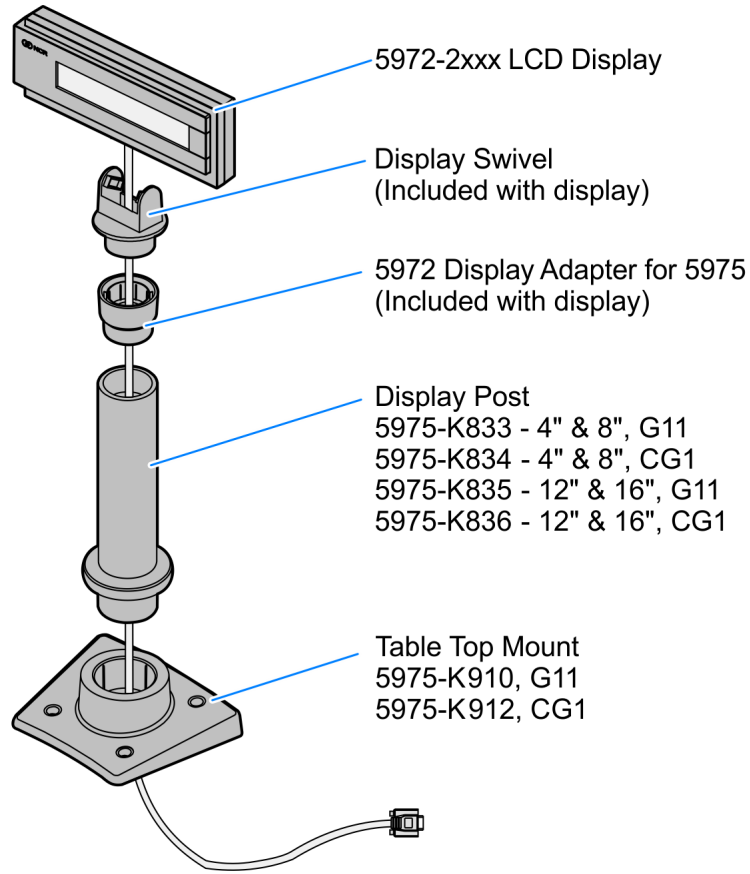


**Note:** A Remote Table Top/Counter Top Mount (5975-K910, G11 or 5975-K912, CG1) is also required for remote configurations.

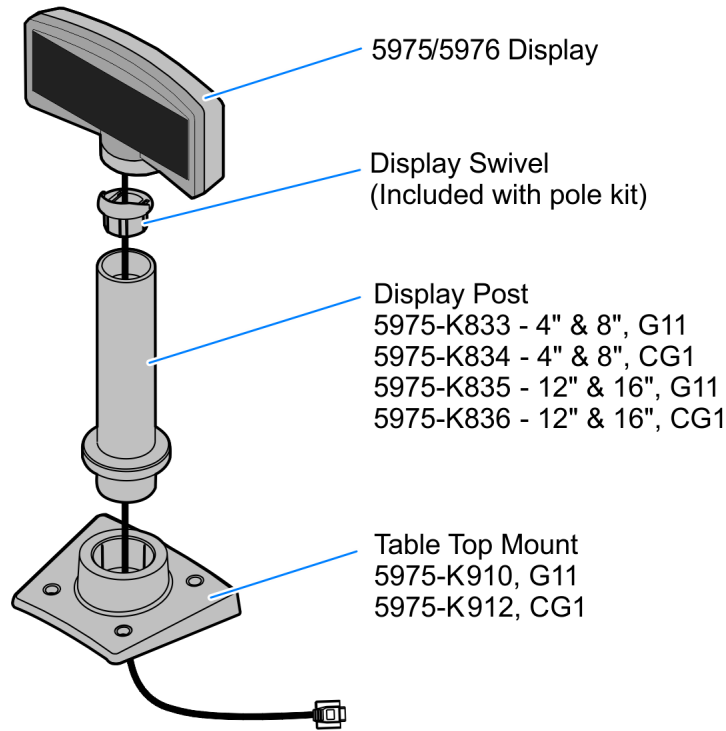


**Note:** For kits in Black color, refer to *5976 Customer Display Post Mount Kit Instructions* (5976-K837-838) for more information.

# 5972 Customer Display Assembly



# 5975/5976 Customer Display Assembly



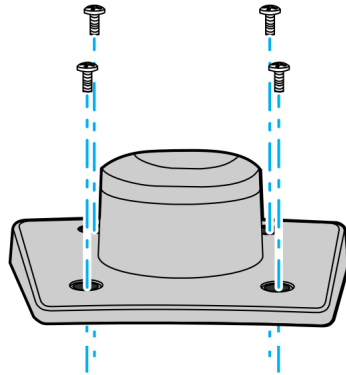
# Installation Procedures



**Note:** This document discusses how to install a Remove Table-Top mount. For integrated configuration see your terminal User Guide for installation procedures.

## NCR 5972 Customer Displays

1. Locate the Display Mount within **4 meters** (13 ft.) of the host terminal.
2. Determine if the cable should be routed down through the mounting surface or if it should be run on top of the surface. Drill a hole if necessary.
3. If you are installing with a post greater than **215 mm** (8.5 in.), secure the Base Plate with screws that are provided.

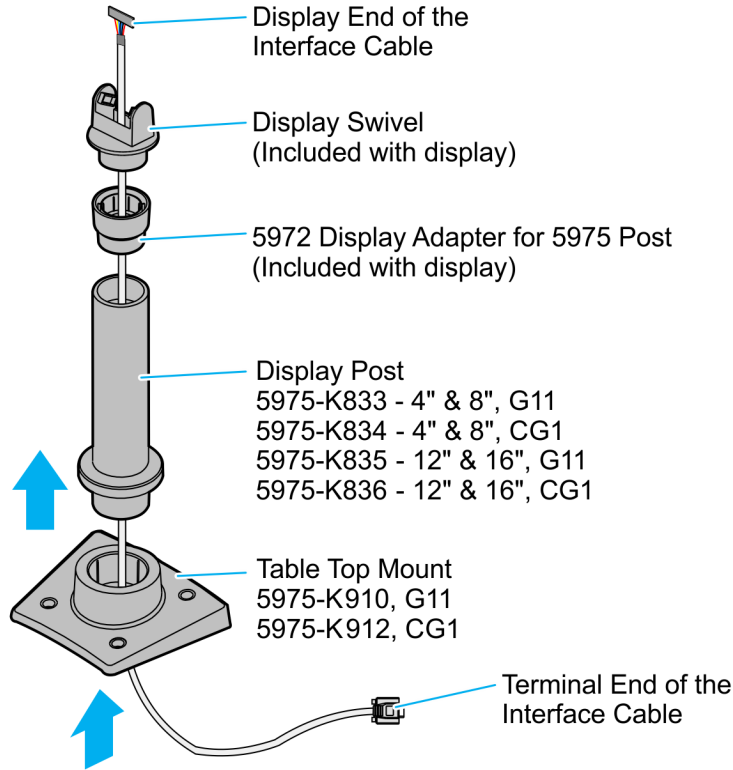


22930

4. Route the display end of the Interface Cable through the Table–Top Mount, the Display Post, the 5972 Display Adapter, and the Display Swivel.

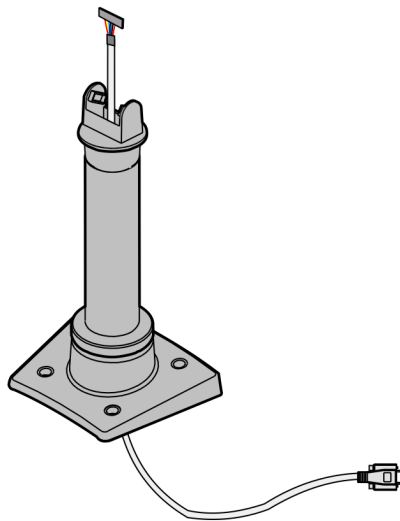


**Note:** The terminal end of the Interface Cable is too large to fit down through the post.



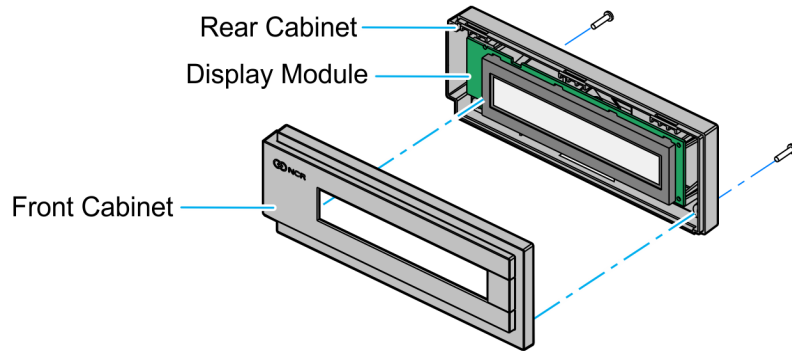
23907

5. Assemble the post components.



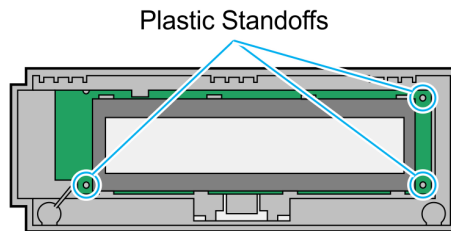
23909

6. Connect the Interface Cable to the Display Module.



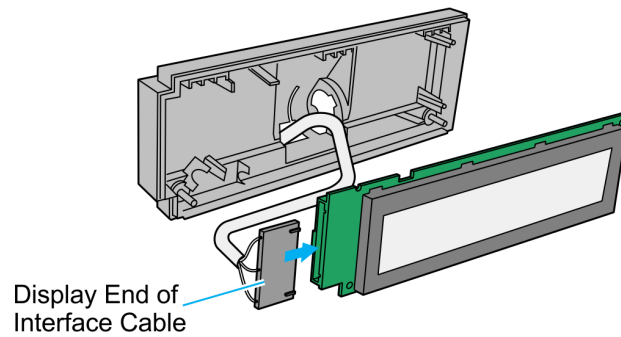
23906

- a. Remove the screws (2) from the rear cabinet and then remove the Front Cabinet.
- b. Remove the Display Module from the Rear Cabinet plastic standoffs (3).



33172

- c. Route the Interface Cable through the opening at the bottom of the Rear Cabinet and connect it to the Display Module.



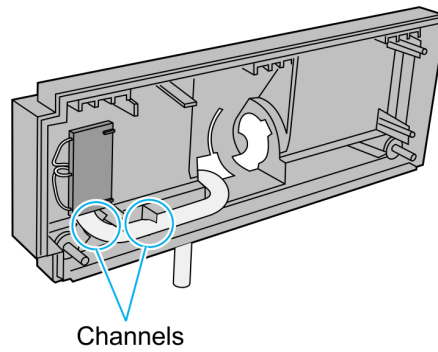
33173



- d. Reassemble the Display Assembly and secure the cabinet with the two screws.

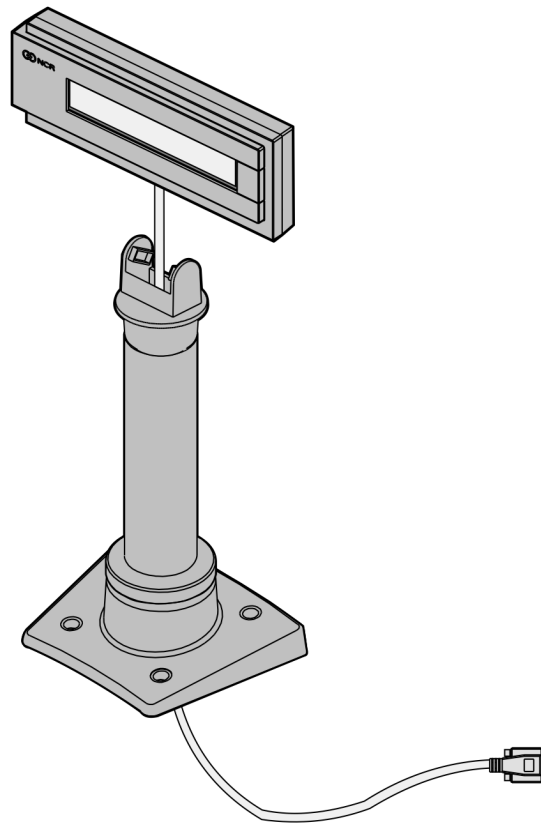


**Note:** The cable is routed through the channels in the Rear Cabinet.



33183

7. Connect the display to the post assembly.

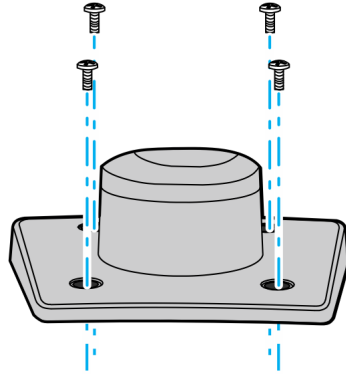


23908

8. Connect the terminal end of the Display Cable to an RS-232 connector on the host terminal.

## NCR 5975/5976 Customer Displays

1. Locate the Display Mount within **4 meters** (13 ft.) of the host terminal.
2. Determine if the cable should be routed down through the mounting surface or if it should be run on top of the surface. Drill a hole if necessary.
3. If you are installing with a post greater than **215 mm** (8.5 in.), secure the Base Plate with screws (4) that are appropriate for the mounting surface.

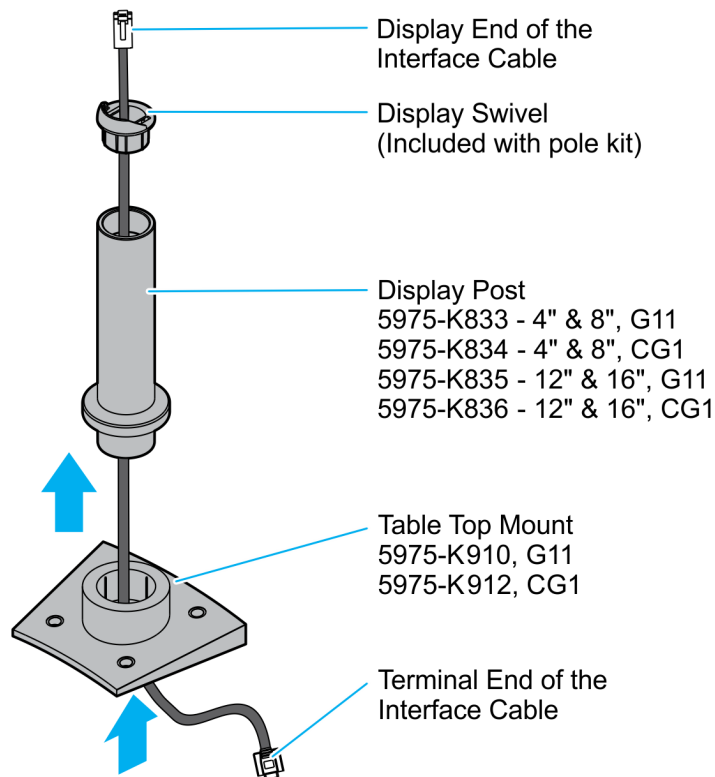


22930

4. Route the display end of the Interface Cable through the Table-Top Mount, the Display Post, and the Display Swivel.



**Note:** The terminal end of the Interface Cable is too large to fit down through the post.

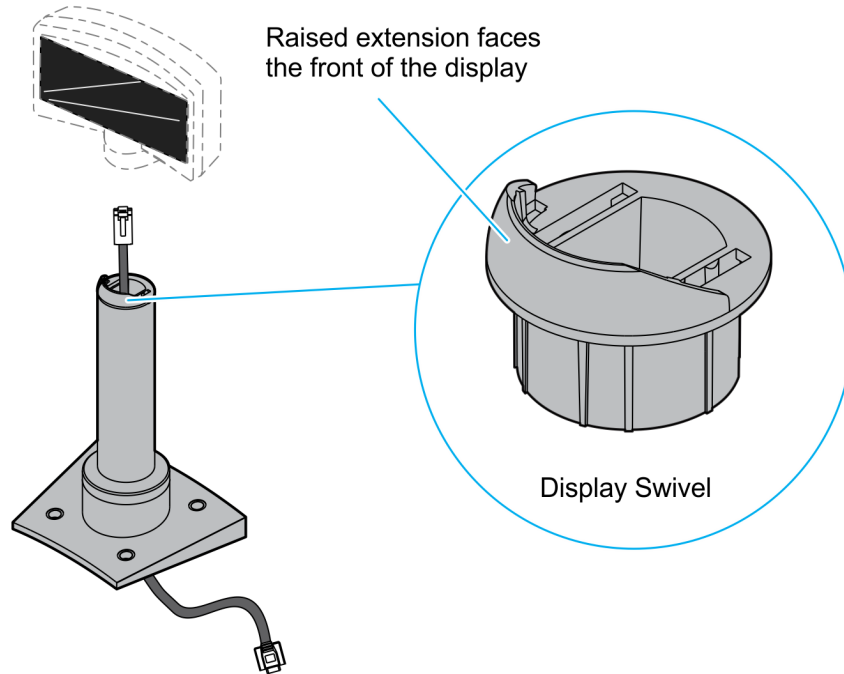


33174

5. Assemble the post components.



**Note:** The raised extension of the Display Swivel is oriented toward the front of the unit, which permits the Display to be tilted to the rear.



33175

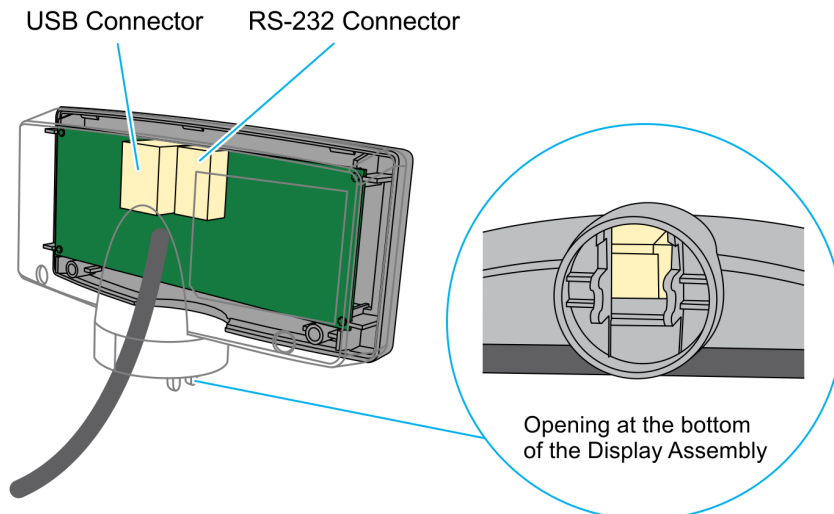
6. Connect the Interface Cable to the Display Module by doing any of the following:

- Insert the Interface Cable through the opening at the bottom of the Display Assembly and to the designated connector on the Display Module.



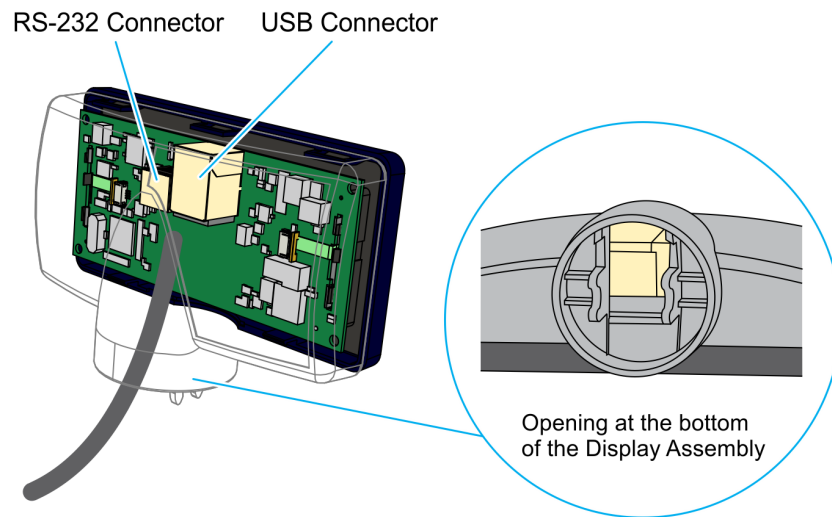
**Note:** This is applicable to both 5975 and 5976.

- **5975 Connectors**



33176

- **5976 Connectors**

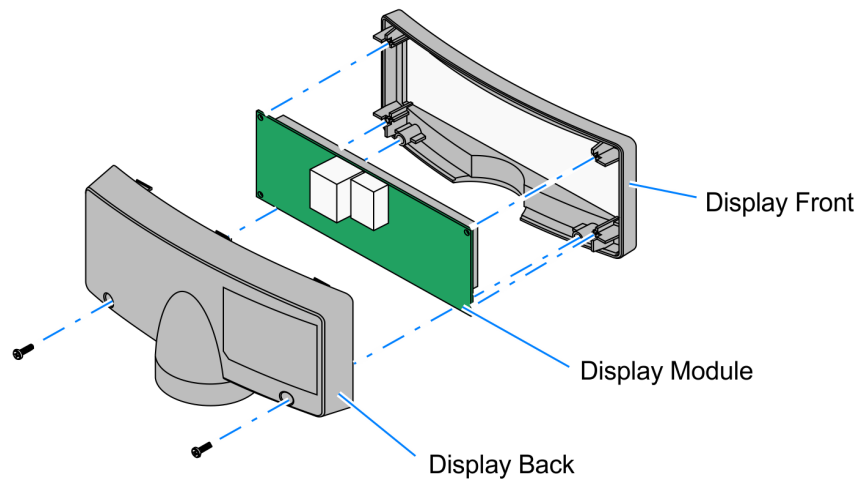


33185

- Disassemble the Display Assembly, and then connect the Interface Cable.



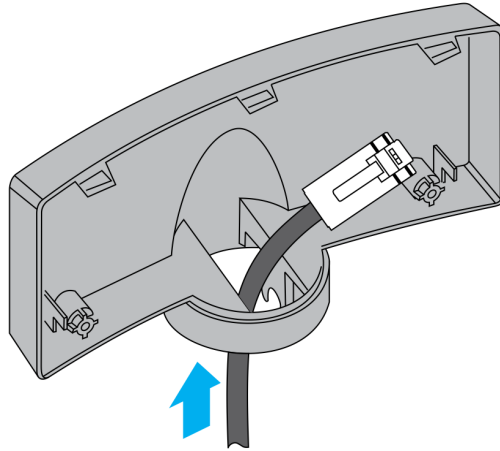
**Note:** This is applicable to 5975 only.



22909

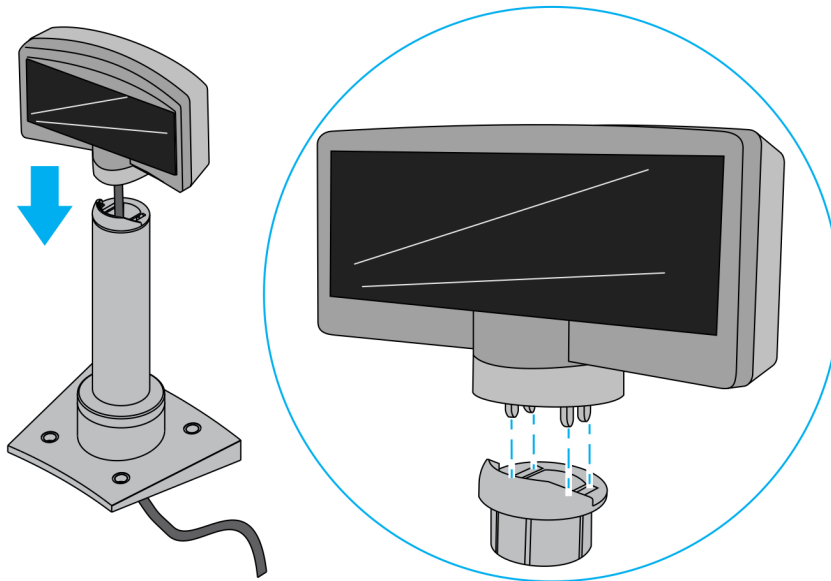
- Remove the screws (2) from the Display Back.
- Remove the Display Back.

- c. Route the Interface Cable through the opening at the bottom of the Display Back and connect it to the designated connector on the Display Module.



33177

- d. Reassemble the Display Assembly and secure the cabinet with the two screws.
7. Connect the display to the post assembly

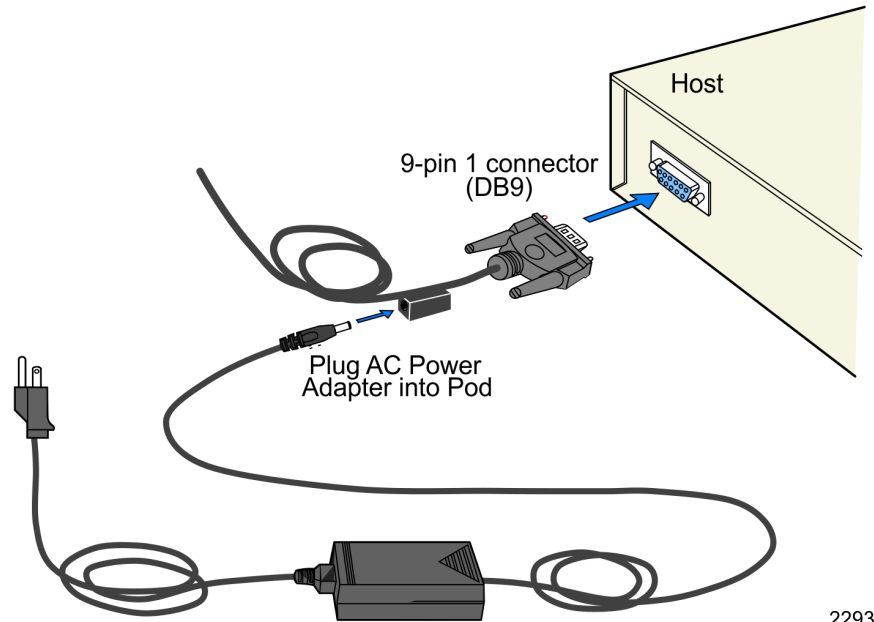


33178

8. Connect the terminal end of the Display Cable to the host terminal.
- **RS-232 Interface (Powered)**  
Connect the I/F cable to a powered RS-232 connector on the terminal.
  - **RS-232 Interface (Non-Powered)**  
Connect the I/F cable to a non-powered RS-232 connector on the terminal.  
Connect a Power Brick to the I/F cable and an AC outlet.

Configure the terminal serial port as follows:

9600 baud, 8 data bits, 1 start bit, 1 stop bit, No parity



- **USB Interface (Powered)**  
Connect the I/F cable to a powered 12V USB + Power connector on the terminal.
- **USB Interface (Non-Powered)**  
Connect the I/F cable to a non-powered USB connector on the terminal. Connect a Power Brick to the I/F cable and an AC outlet.