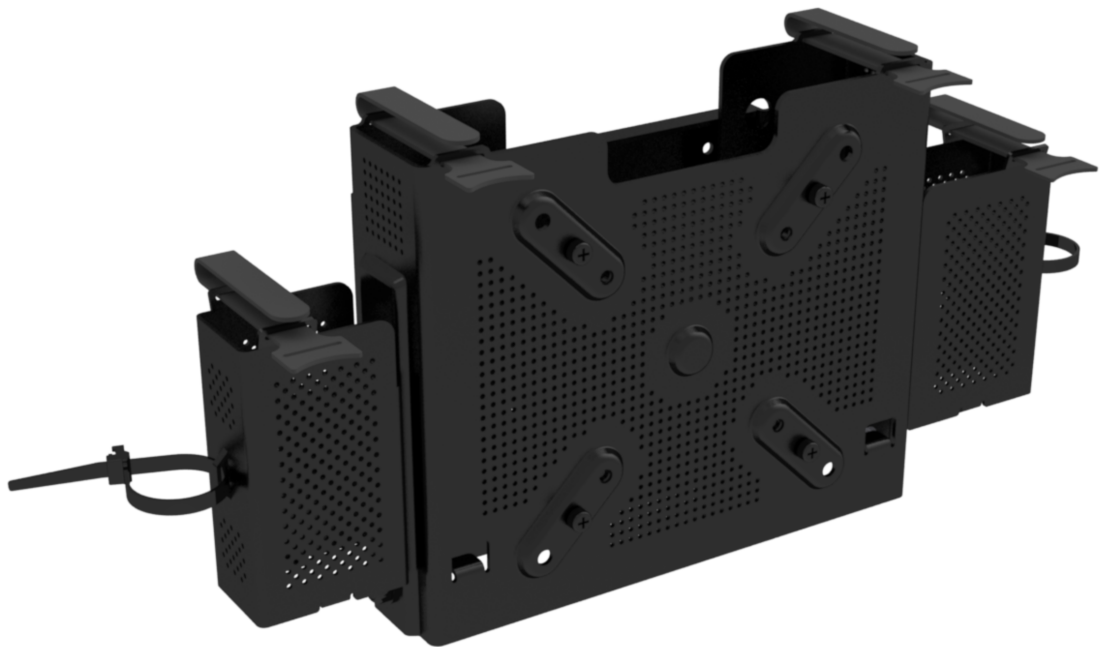


Kit Instructions

Quick Release Bracket



1924-K006
Issue A



The product described in this document is a licensed product of NCR Corporation.

NCR is a registered trademark of NCR Corporation. Product names mentioned in this publication may be trademarks or registered trademarks of their respective companies and are hereby acknowledged.

Where creation of derivative works, modifications or copies of this NCR copyrighted documentation is permitted under the terms and conditions of an agreement you have with NCR, NCR's copyright notice must be included.

It is the policy of NCR Corporation (NCR) to improve products as new technology, components, software, and firmware become available. NCR, therefore, reserves the right to change specifications without prior notice.

All features, functions, and operations described herein may not be marketed by NCR in all parts of the world. In some instances, photographs are of equipment prototypes. Therefore, before using this document, consult with your NCR representative or NCR office for information that is applicable and current.

To maintain the quality of our publications, we need your comments on the accuracy, clarity, organization, and value of this book. Please use the link below to send your comments.

Email: FD230036@ncr.com

Copyright © 2017
By NCR Corporation
Duluth, GA U.S.A.
All Rights Reserved

Table of Contents

Quick Release Bracket

Introduction	1
Kit Contents	2
Tools Needed	3
Installation Procedures	4
Install the Kitchen Controller VESA Bracket	5
Radial Arm Installation	5
Wall Mount Installation	7
Install the Power Supply Brackets	8
Install the Monitor VESA Bracket onto the Display	9
Mount the Display Assembly onto the Kitchen Controller Bracket	10
Mount the Kitchen Controller and the Power Supplies	11
Connect the Cables	12
KC4 Kitchen Controller Cables	12
KT2200 Kitchen Touch Display Cables	12

Appendix A: KC4 Kitchen Controller Cables

Connectivity Diagram	14
Power Supply	15
Kitchen Display	15
Bump Bar	16
Printer	16
Network	16

Appendix B: KT2200 Kitchen Touch Display Cables

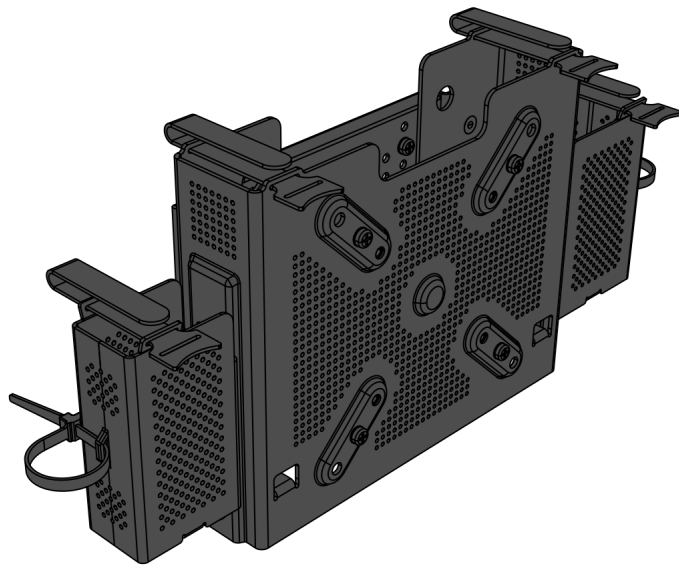
Revision Record

Issue	Date	Remarks
A	Dec 2017	First Issue

Quick Release Bracket

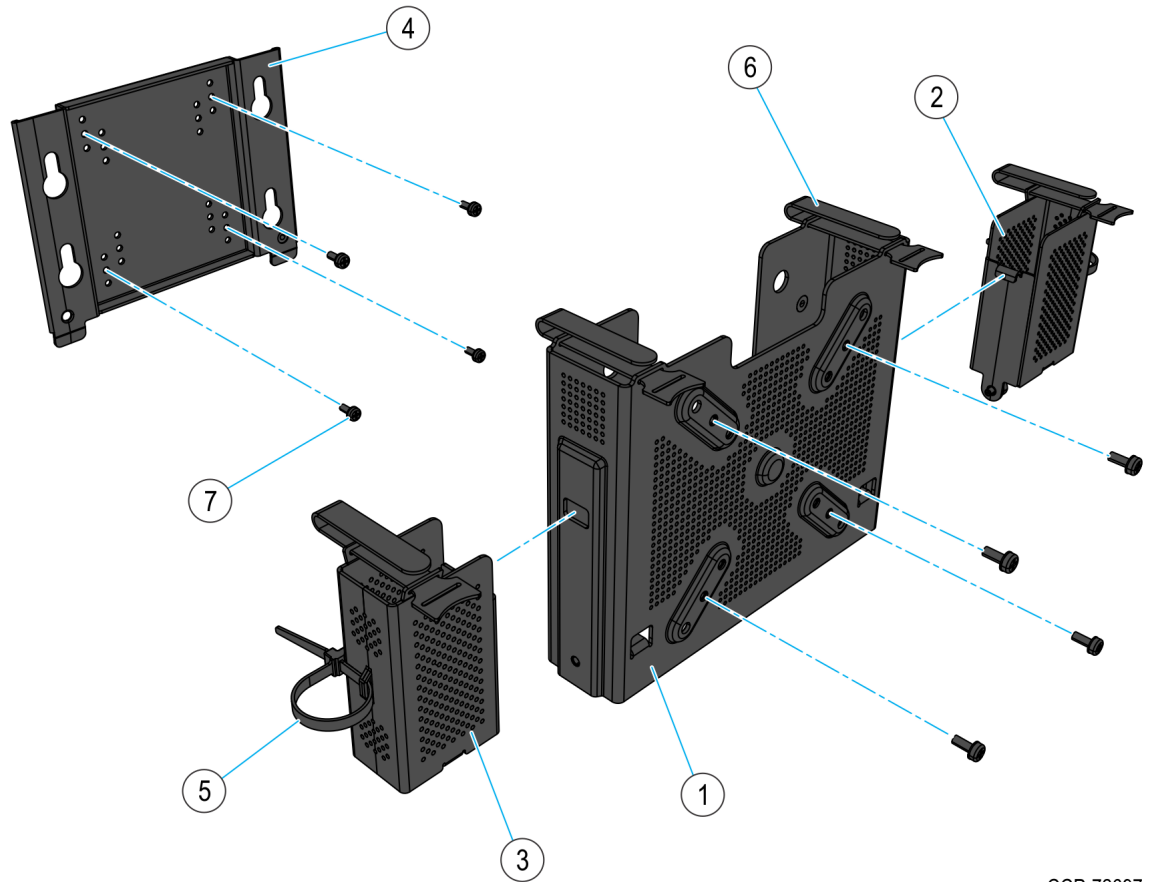
Introduction

This kit provides an easy solution for mounting the NCR Kitchen Controller to the back of the display while minimizing clutter and optimizing cable management. The KT2200 Kitchen Touch Display can be mounted to a properly specified VESA mounting (75-mm and 100-mm pattern) solution in a variety of environments.



CCP-72694

Kit Contents



CCP-72697

Item	Part Number	Description
1	497-0519070	Bracket, Kitchen Controller VESA
2	497-0519071	Bracket, Kitchen Controller International Power Supply
3	497-0519072	Bracket, Kitchen Controller Monitor Power Supply
4	497-0519617	Bracket, Monitor VESA
5		Cable Tie, Black
6		Retaining Strap, Black
7		M4 x 10 Phillips Pan Head, SEMS Washer, Black

Tools Needed

- #2 Phillips screwdriver
- Pencil or Marker
- (4) 3/16-inch Toggle bolts or similar, depending on mounting substrate — supplied by customers

Installation Procedures

Radial Arm Installation

Installing the Quick Release Bracket to a radial arm involves the following procedures:

1. Install the Kitchen Controller VESA Bracket.
2. Install the Power Supply Brackets.
3. Install the Monitor VESA Bracket onto the Display.
4. Mount the Display Assembly onto the Kitchen Controller Bracket.
5. Mount the Kitchen Controller and the Power Supplies.
6. Connect the Cables.

Wall Mount Installation

Installing the Quick Release Bracket to a wall involves the following procedures:

1. Mark the Screw Holes.
2. Install the Kitchen Controller VESA Bracket.
3. Install the Power Supply Brackets.
4. Install the Monitor VESA Bracket onto the Display.
5. Mount the Display Assembly onto the Kitchen Controller Bracket.
6. Mount the Kitchen Controller and the Power Supplies.
7. Connect the Cables.

Install the Kitchen Controller VESA Bracket

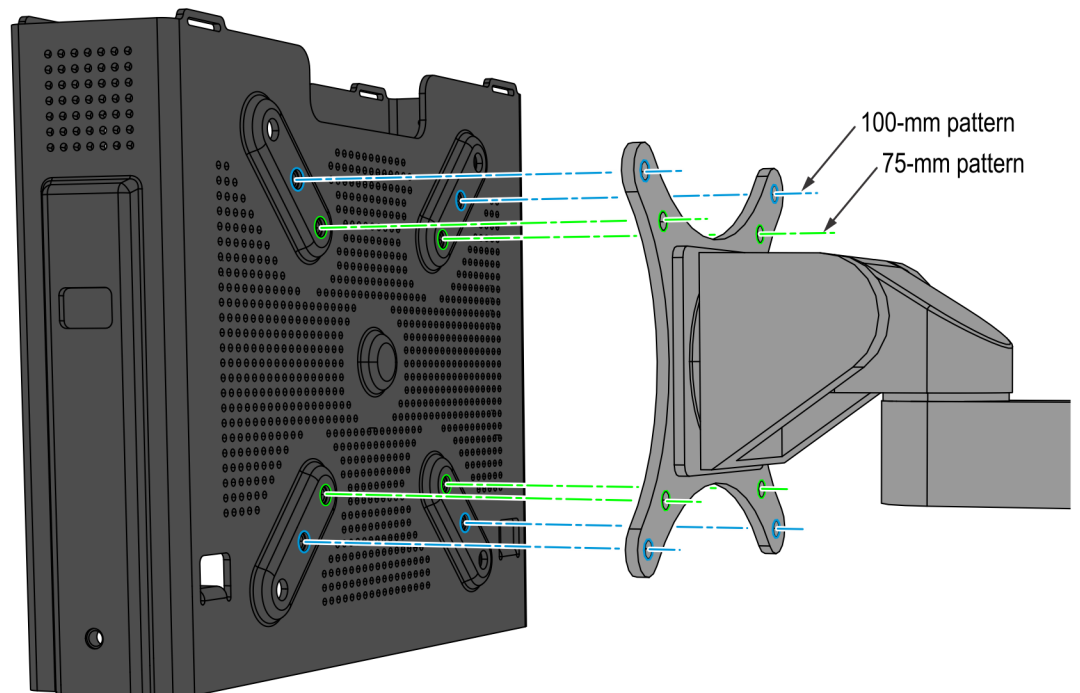
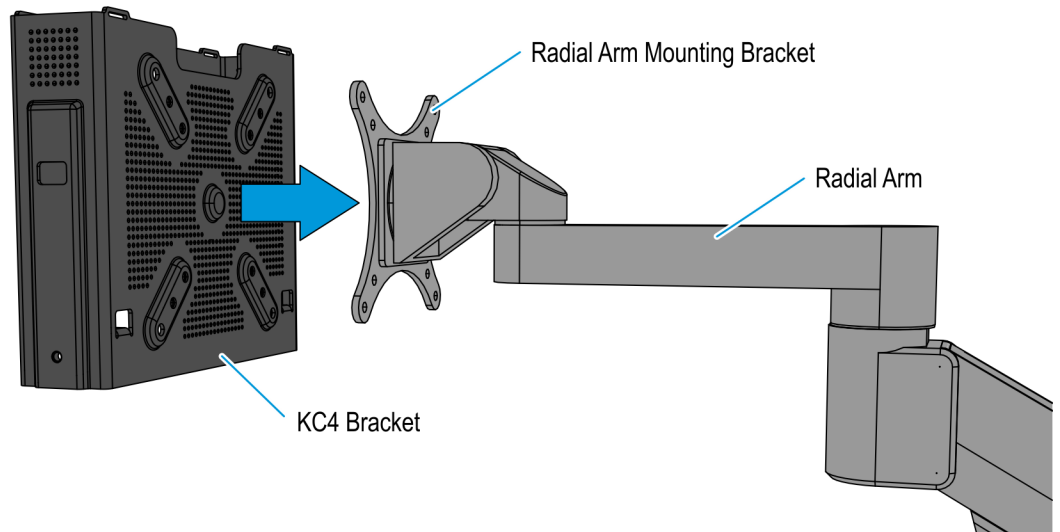
Radial Arm Installation

The Kitchen Controller VESA Bracket (KC4 bracket) is mounted directly onto the mounting plate of the radial arm.

1. Align the four holes on the KC4 bracket with the four holes on the radial arm mounting plate.



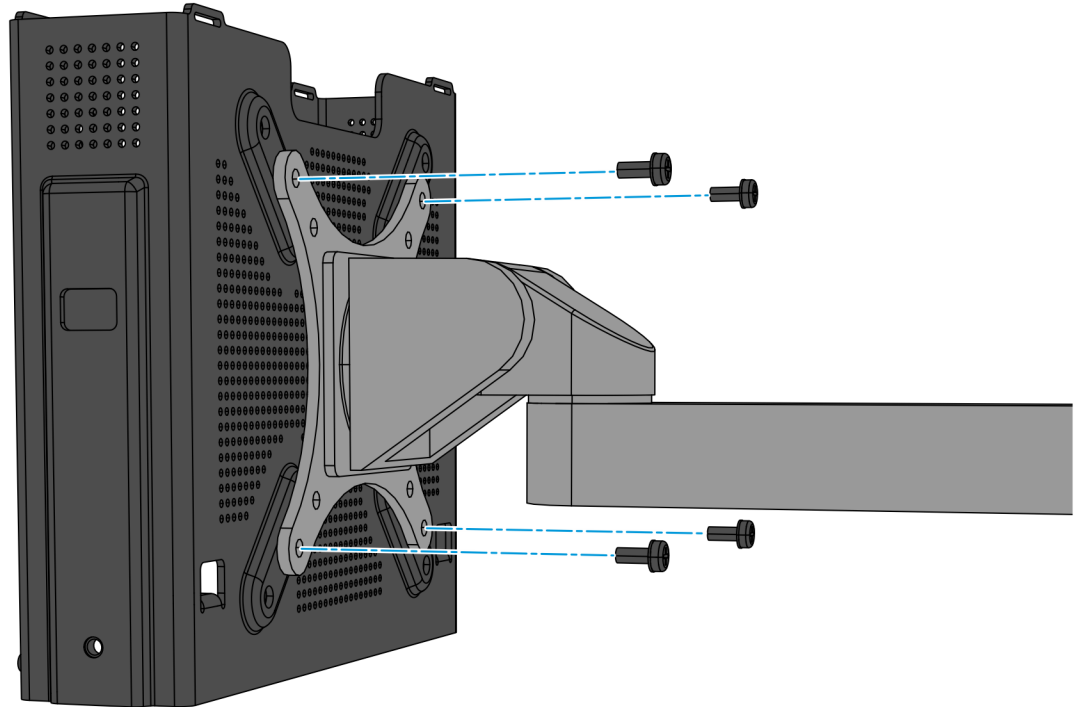
Note: Either of the 75-mm or the 100-mm pattern may be used. In this procedure, the 100-mm pattern is used.



2. Install the screws to secure the KC4 bracket to the radial arm mounting plate.



Note: Do not fully tighten any screw on the first turn. Use a stepping method when tightening the screws. Tighten each screw a little at a time to evenly secure the KC4 bracket to the radial arm mounting plate.

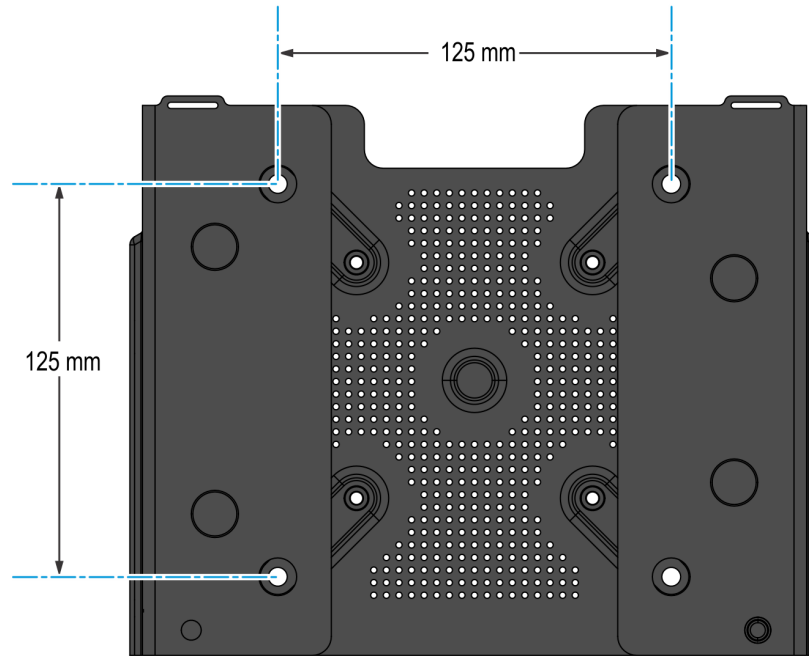


CCP-72699

Wall Mount Installation

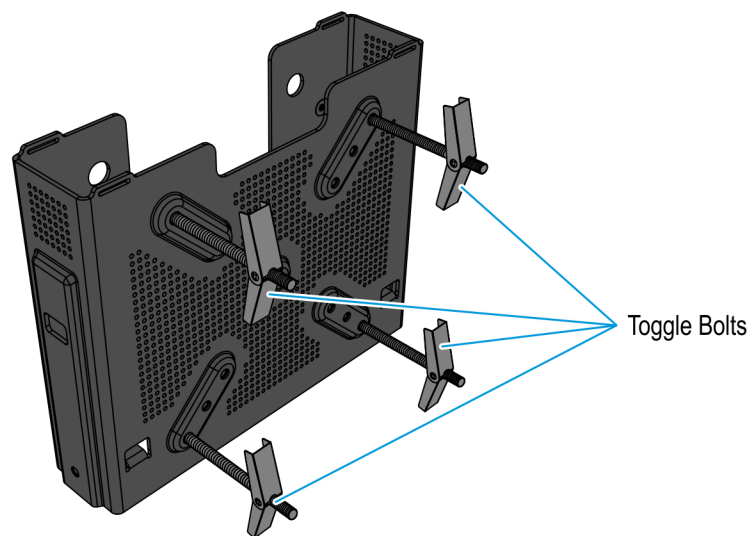
The Kitchen Controller VESA Bracket (KC4 bracket) is mounted directly onto the wall by using toggle bolts or similar.

1. Mark the screw holes.
 - a. Using the KC4 bracket as a template, hold the bracket against the wall and mark the four holes.



CCP-71855

- b. Remove the KC4 bracket and drill a hole at every marked location.
2. Using the four toggle bolts or similar, mount the KC4 bracket onto the wall.

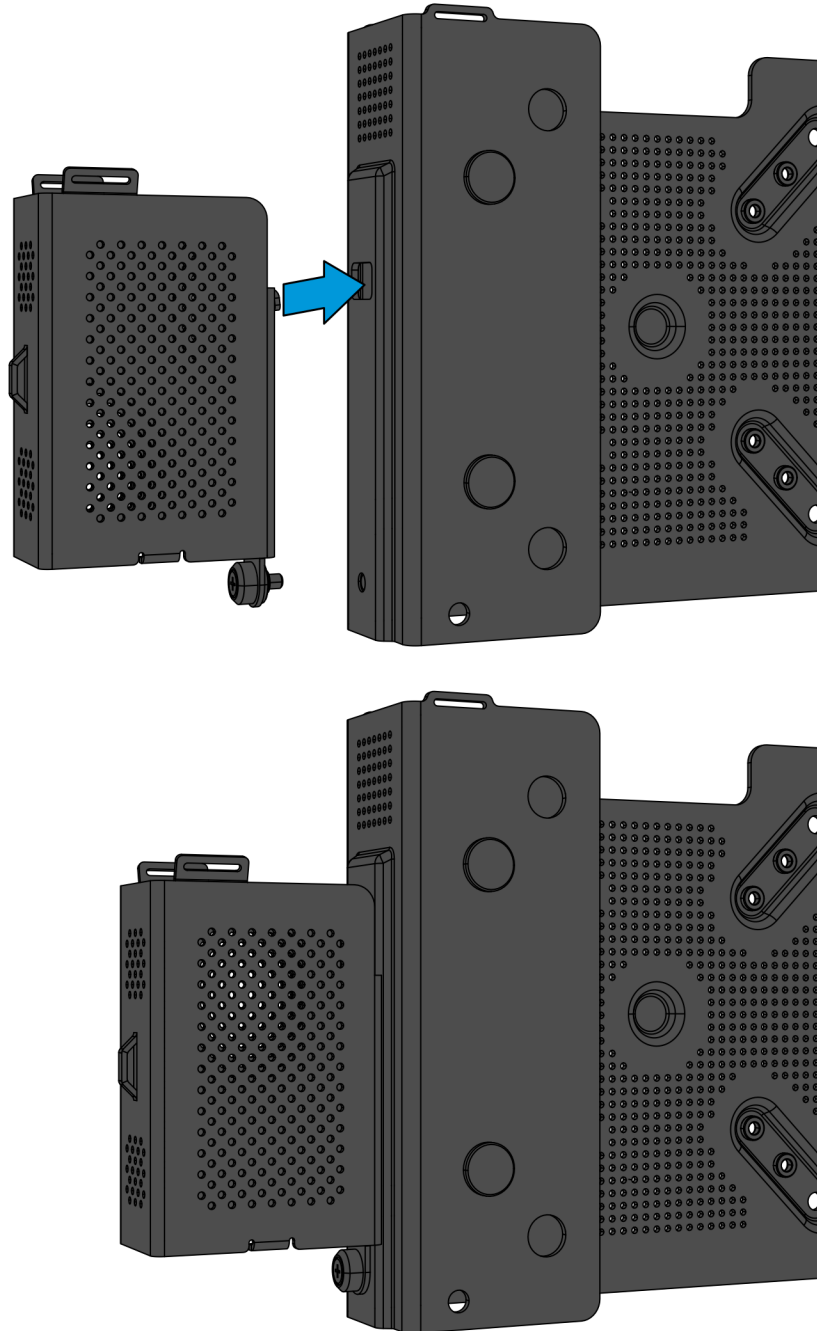


CCP-71858

Install the Power Supply Brackets

The two power supply brackets are installed at each side of the KC4 bracket.

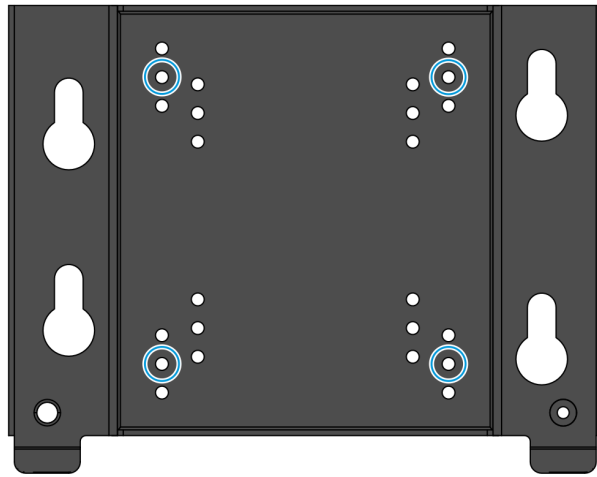
- To install the power supply bracket, insert its hook into the hole at the side of the KC4 bracket, and then tighten the thumb screw at the bottom.



Install the Monitor VESA Bracket onto the Display

The KT2200 Kitchen Touch Display is mounted to the KC4 Bracket by using the Monitor VESA Bracket.

1. Place the display face down on a flat and smooth surface.
2. Install the Monitor VESA Bracket to the back of the display.
 - a. Align the holes on the bracket (indicated in the image) with the holes on the back of the display.

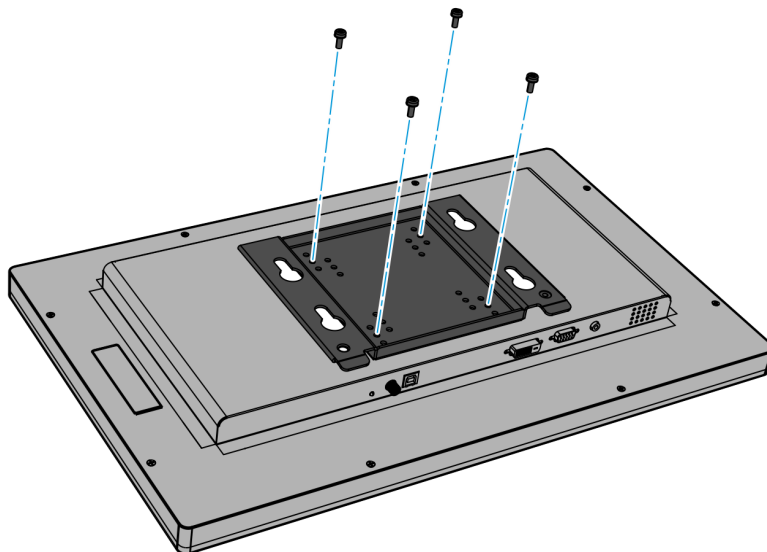


CCP-71830

- b. Secure the bracket using the four screws.



Note: Do not fully tighten any screw on the first turn. Use a stepping method when tightening the screws. Tighten each screw a little at a time to evenly secure the VESA bracket to the back of the display.



CCP-71829

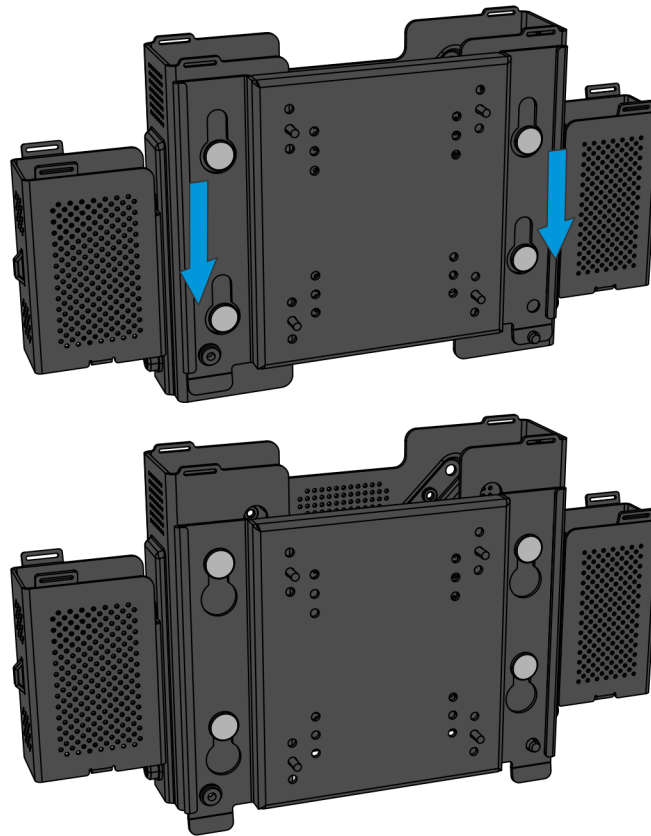
Mount the Display Assembly onto the Kitchen Controller Bracket

The quick release feature of the Monitor VESA Bracket makes it easier to mount the display assembly to the KC4 Bracket.



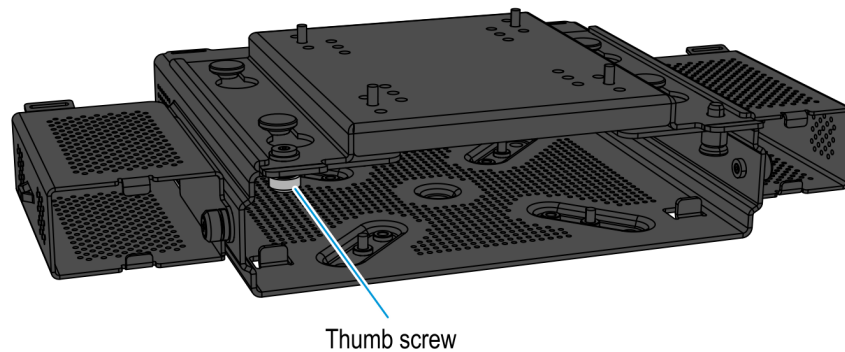
Note: In the following images, the display is not shown for clarity.

1. Position the assembly onto the four studs on the KC4 bracket, and then push the assembly down to lock it in place.



CCP-71839

2. For extra security, tighten the thumb screw shown in the following image.



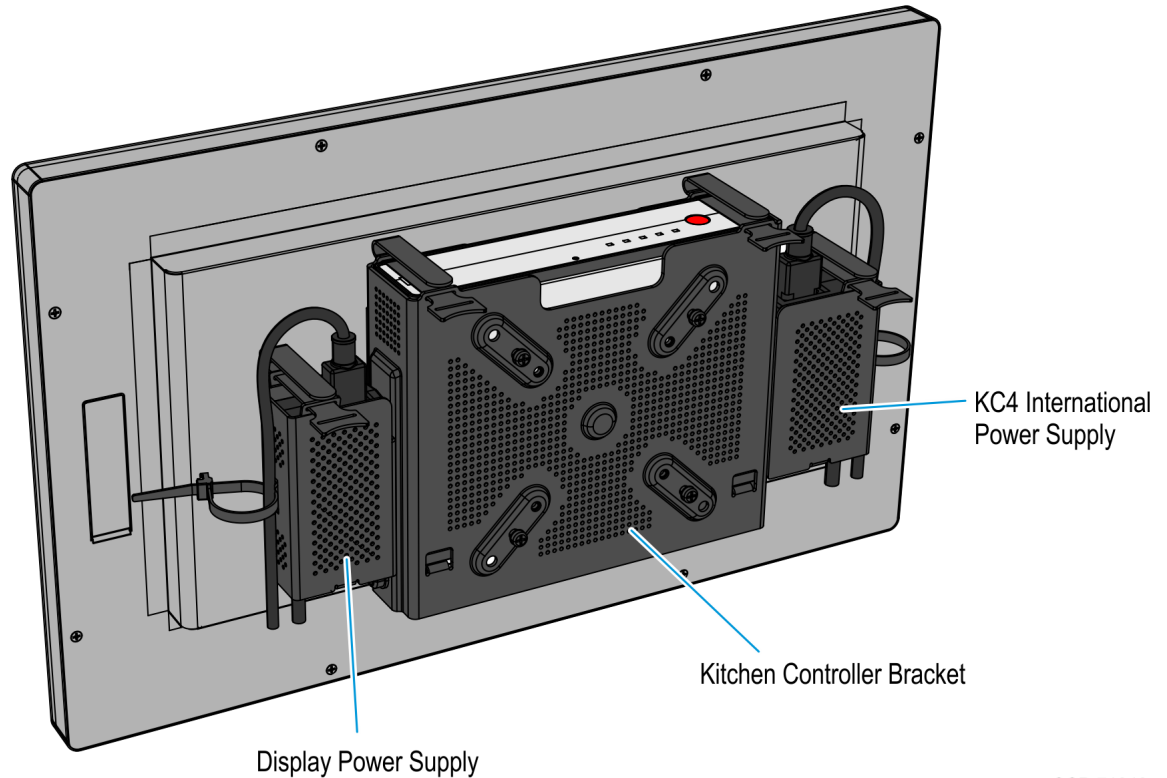
CCP-71859

Mount the Kitchen Controller and the Power Supplies

The kitchen controller, its power supply, and the display power supply have designated brackets for mounting.



Note: The KC4 power supply used in this procedure is an International power supply.



CCP-71840

1. Insert the kitchen controller into the KC4 bracket.



Note: The I/O panel should be facing down to allow for easy cable routing.

2. Insert the KC4 International power supply into the right bracket.



Note: The side with the removable AC power cord should be facing up.

3. Insert the display power supply into the left bracket.



Note: The side with the removable AC power cord should be facing up.

4. Secure the kitchen controller and the power supplies with the restraining straps.

Connect the Cables



Warning: Before connecting the cables, ensure that the kitchen controller and the display are turned off.

KC4 Kitchen Controller Cables

To connect the kitchen controller cables and other components, refer to [KC4 Kitchen Controller Cables](#) on page 13.

KT2200 Kitchen Touch Display Cables

To connect the KT2200 cables, refer to [KT2200 Kitchen Touch Display Cables](#) on page 17.

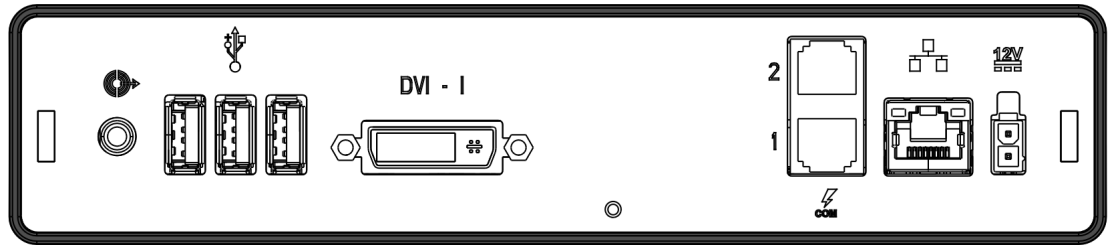
Appendix A: **KC4 Kitchen Controller Cables**

This appendix covers the connectivity options for the KC4 and the procedures in setting up the hardware components of the KPS system, namely:

- [Power Supply](#) on page 15
- [Kitchen Display](#) on page 15
- [Bump Bar](#) on page 16
- [Printer](#) on page 16
- [Network](#) on page 16

Connectivity Diagram

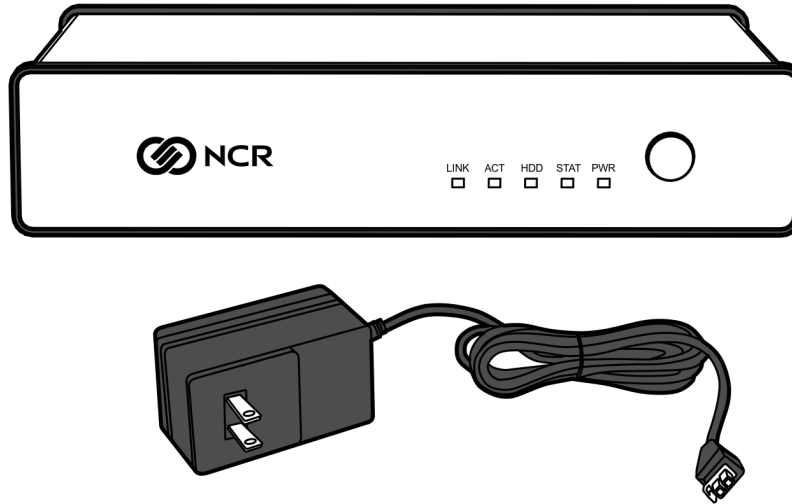
The image below shows the available connectivity options for the KC4.



CCP-61244

Power Supply

The KC4 has an external power supply. Source power is drawn from a regular AC wall outlet.



CCP-61245

The universal power supply features a locking input connector to prevent unintentional detachment from the KC4. For International installations, there is a separate power supply, which has a detachable AC power cord that can be interchanged for different regions.

To connect the power supply to the KC4, plug the cable to the Power In connector on the rear IO panel.

Kitchen Display

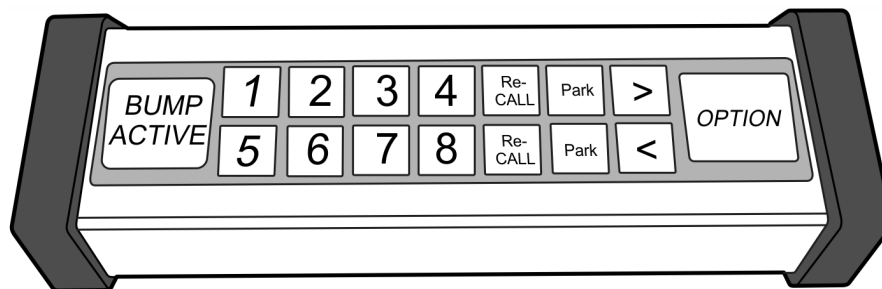
The KC4 supports 2 graphics outputs from the Integrated Graphics of the CPU.

- **DVI-I Digital**— Digital interface for monitor or HDTV driven from Digital Display Interface 2 on the CPU.
- **DVI-I Analog**— VGA Analog video interface driven by Digital Display Interface of the CPU via DVI to VGA converter.

To connect the Kitchen Display, or Hardware Monitor, plug the monitor into the DVI port on the rear IO Panel.

Bump Bar

With the KPS Bump Bar, the user can “bump” or delete an inputted order from the queue. The Bump Bar is powered through the serial port from the KPS controller.



CCP-61169

To connect the Bump Bar to the KC4, plug the cable to the Serial Port on the rear IO panel.

Printer

Order information can be printed by attaching a printer to the KC4.

To connect a printer to the KC4, plug the printer cord into one of the USB ports on the rear IO panel.



Note: Refer to your printer's user manual to determine which type of port connection it requires.

Network

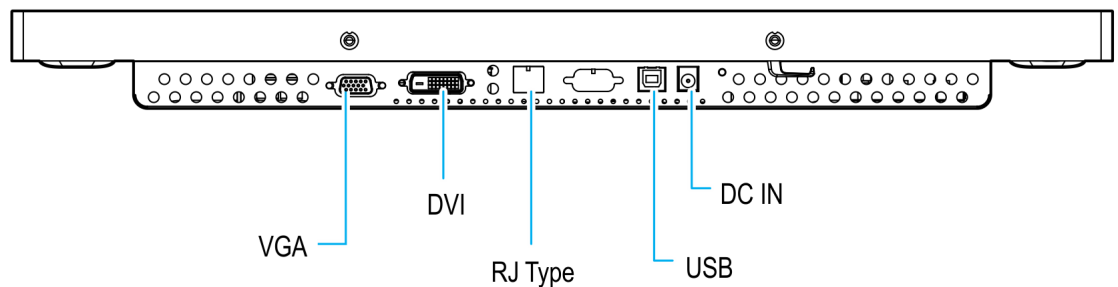
The KPS is designed to display kitchen order information to a Kitchen Monitor. The orders originate from POS input and are sent to the Kitchen Controller 4 (KC4) through the 10/100/1000 Mbps network interface.

To connect the network to the KC4, plug the cable to Ethernet port on the rear IO panel.

Appendix B: KT2200 Kitchen Touch Display Cables

This appendix covers the procedures in connecting the KT2200 Kitchen Touch Display to the NCR Kitchen Controller.

The image below shows the available connectivity options for the KT2200 Kitchen Touch Display.



CCP-72691

To connect the KT2200 Kitchen Touch Display to the NCR Kitchen Controller, do the following:

1. Turn off the Kitchen Controller and the Display.
2. Connect one end of the VGA or DVI cable to the VGA or DVI input connector on the Display and the other end to the VGA or DVI connector of the Kitchen Controller.
3. Connect one end of the USB cable to the USB port of the Display and the other end to the USB port of the Kitchen Controller.
4. Connect the power supply to the DC IN connector on the Display.
5. Connect to a wall outlet.
 - For International installations, connect one end of the AC power cord to the AC connector on the power supply and the other end to a wall outlet.
 - For US installations, connect the Power Transformer directly to a wall outlet.