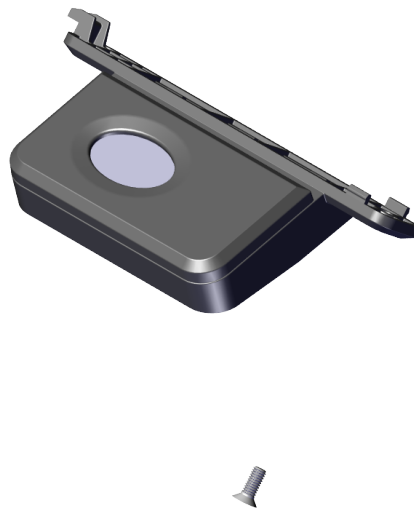




Biometrics

Kit Instructions

7776



7776-K151

Issue C

The product described in this document is a licensed product of NCR Voyix Corporation.

NCR RealPOS Terminals is a trademark of NCR Voyix Corporation in the United States and/or other countries. Other product names mentioned in this publication may be trademarks or registered trademarks of their respective companies and are hereby acknowledged.

Where creation of derivative works, modifications or copies of this NCR Voyix copyrighted documentation is permitted under the terms and conditions of an agreement you have with NCR Voyix, NCR Voyix's copyright notice must be included.

It is the policy of NCR Voyix Corporation to improve products as new technology, components, software, and firmware become available. NCR Voyix, therefore, reserves the right to change specifications without prior notice.

All features, functions, and operations described herein may not be marketed by NCR Voyix in all parts of the world. In some instances, photographs are of equipment prototypes. Therefore, before using this document, consult with your NCR Voyix representative or NCR Voyix office for information that is applicable and current.

Copyright © 2022–2024

By NCR Voyix Corporation
Atlanta, Georgia, USA
All Rights Reserved

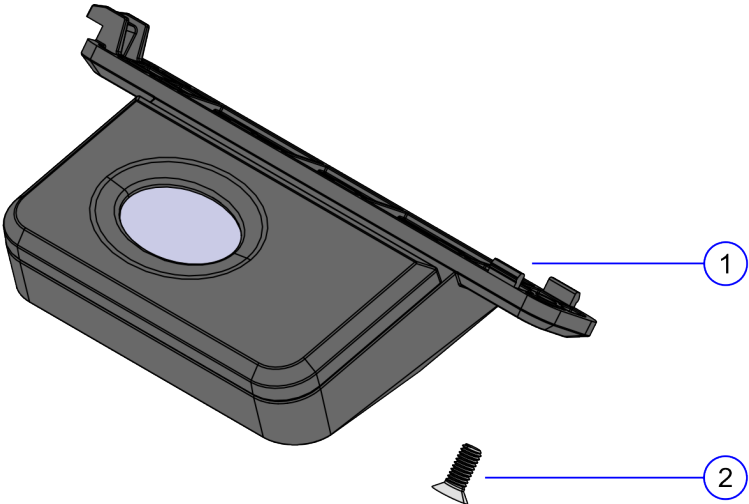
Revision Record

Issue	Date	Remarks
A	Aug 2022	First Issue
B	May 2023	Converted to Guild template
C	Jun 2024	Converted to Voyix template

7776-K151 Biometrics

This kit provides a Biometrics for the NCR CX3 POS (7776).

Kit Contents

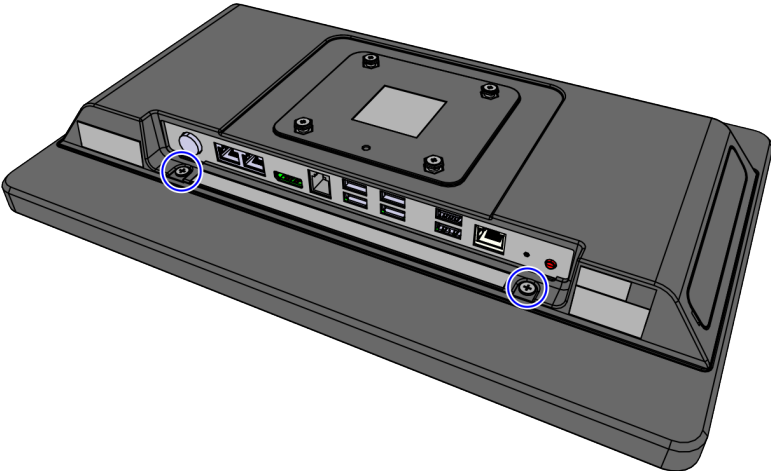


CCP-82186

Item	Part Number	Description
1	Biometrics Assembly	
	006-8612048	Screw, M3x8, Phillips, Pan Head, SEMS, Steel, Zinc
	006-8624345	Biometrics Module
	497-0505874	Frame, Side Car
	497-0505875	Cover, Biometrics
	497-0505881	Blank, Side Car Bottom
	497-0510998	Bracket, Retainer, Biometric
	497-0511044	Cable, 170mm USB with Hirose Connectors
2	006-8622623	Screw, M4x10, Flat Head, Phillips, Black Oxide

Installation Procedure

1. Remove the two (2) screws that secure the Back Cover to the Terminal.

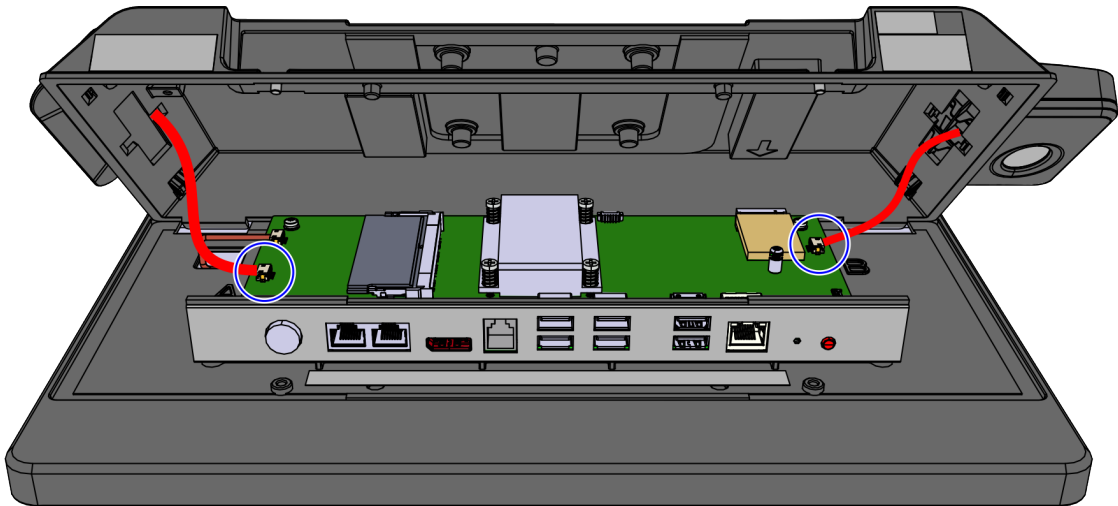


CCP-82123

2. If side-mounted peripherals are installed, slowly rotate the Back Cover up from the Terminal to gain access to the peripheral cables and disconnect them from the Motherboard.

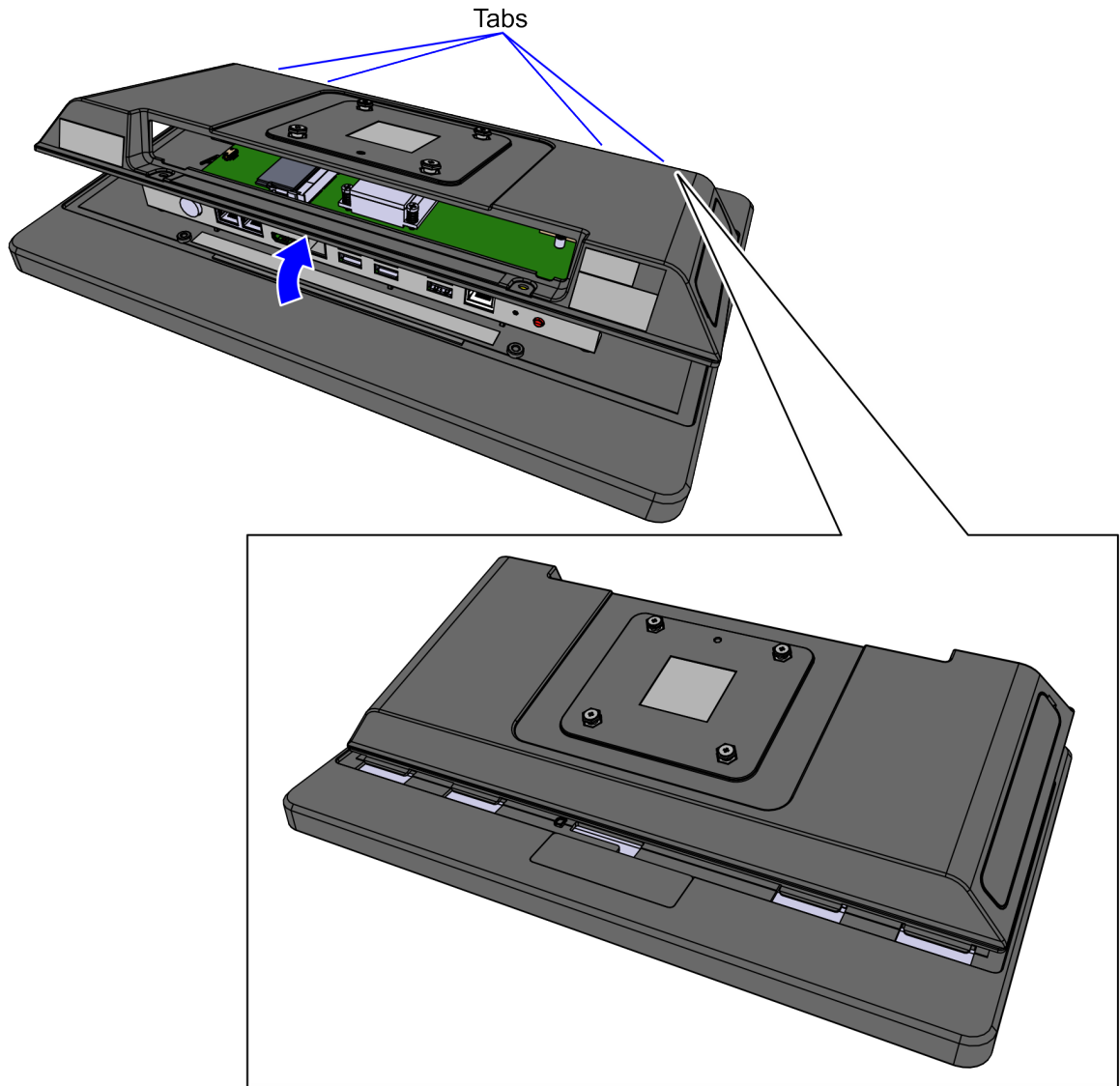
⚠ Caution

When removing the CX3 Back Cover, the peripheral cables must be disconnected from the motherboard before lifting the Back Cover up and away from the terminal. The peripherals are mounted on the CX3 Back Cover and do not have very long connecting cables, therefore extreme caution must be used while lifting the Back Cover up from the CX3 Terminal as to not damage the peripheral cables or motherboard peripheral connectors.



CCP-82184

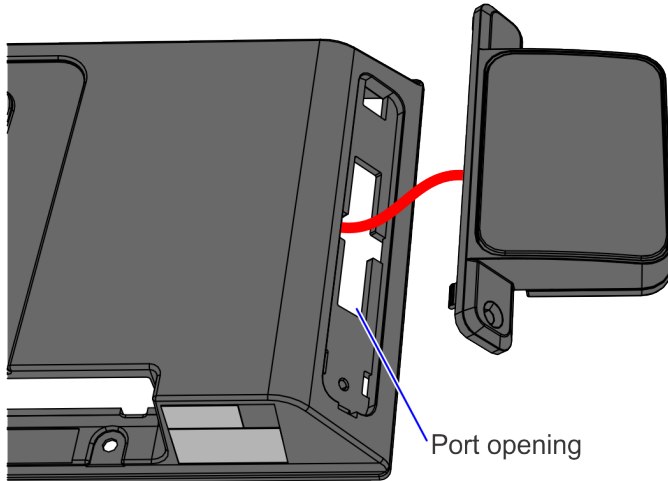
3. Unhook the Back Cover Tabs to remove the Back Cover.



CCP-82124

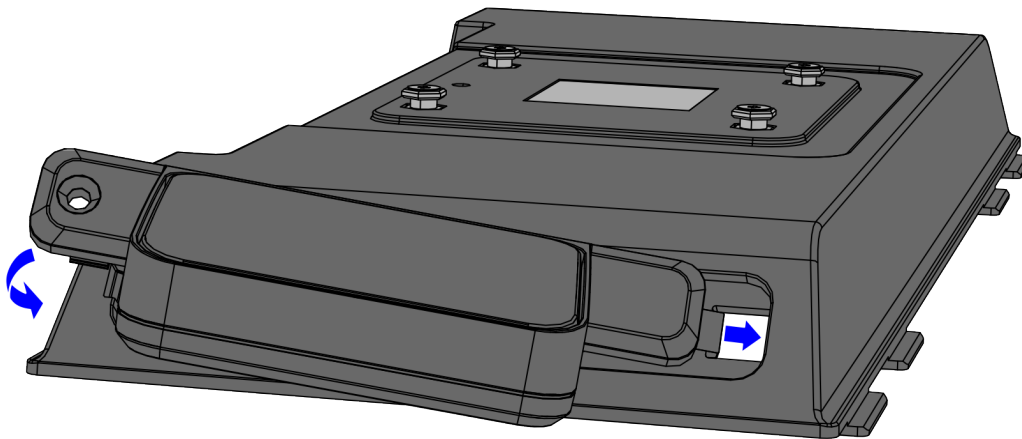
Confidential and proprietary information of NCR Voyix.
Use and disclose solely pursuant to company instructions.

4. Route the Cable through the Port B opening.



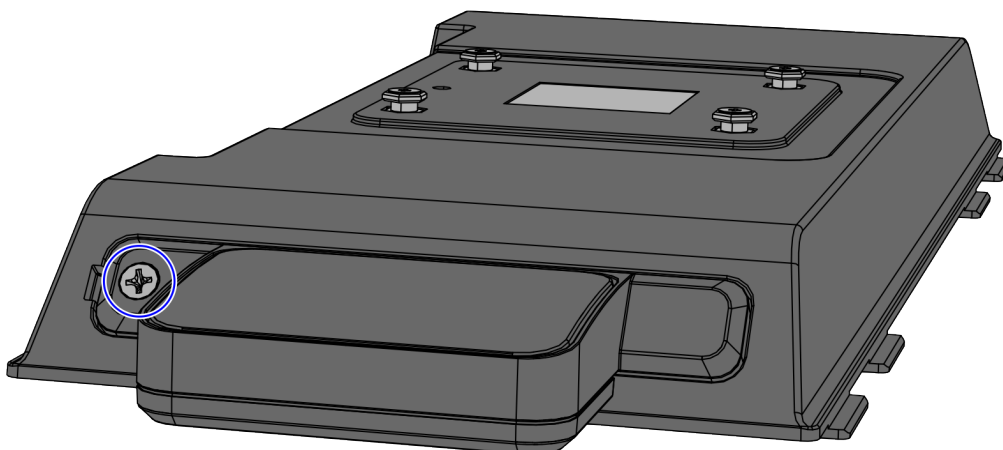
CCP-82151

5. Hook the Biometrics into the Back Cover and snap into place.



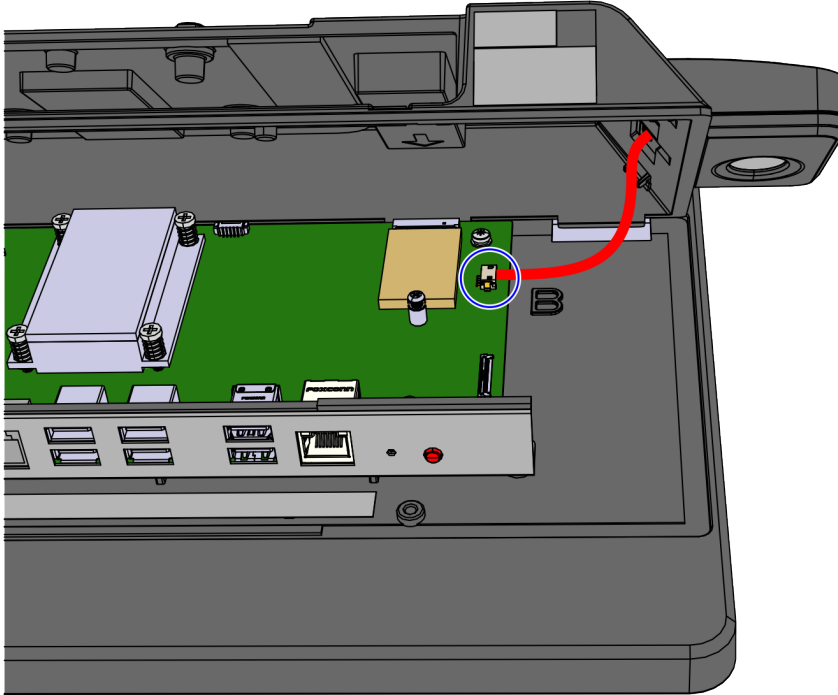
CCP-82152

6. Secure the Biometrics with a screw. Secure the Biometrics with the screw provided (item 2).



CCP-82153

7. Connect the Cable to the Motherboard.



CCP-82155

8. Reinstall the Back Cover.