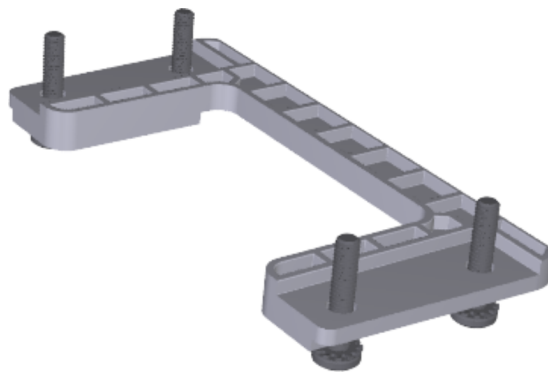


KIT INSTRUCTIONS

Spacer for Customer Display Arm Extension



7761-K463
Issue A



The product described in this document is a licensed product of NCR Corporation.

NCR is a registered trademark of NCR Corporation. Product names mentioned in this publication may be trademarks or registered trademarks of their respective companies and are hereby acknowledged.

The terms HDMI and HDMI High-Definition Multimedia Interface, and the HDMI Logo are trademarks or registered trademarks of HDMI Licensing LLC in the United States and other countries.

Where creation of derivative works, modifications or copies of this NCR copyrighted documentation is permitted under the terms and conditions of an agreement you have with NCR, NCR's copyright notice must be included.

It is the policy of NCR Corporation (NCR) to improve products as new technology, components, software, and firmware become available. NCR, therefore, reserves the right to change specifications without prior notice.

All features, functions, and operations described herein may not be marketed by NCR in all parts of the world. In some instances, photographs are of equipment prototypes. Therefore, before using this document, consult with your NCR representative or NCR office for information that is applicable and current.

To maintain the quality of our publications, we need your comments on the accuracy, clarity, organization, and value of this book. Please use the link below to send your comments.

Email: FD230036@ncr.com

Copyright © 2016–2017

By NCR Corporation

Duluth, GA U.S.A.

All Rights Reserved

Revision Record

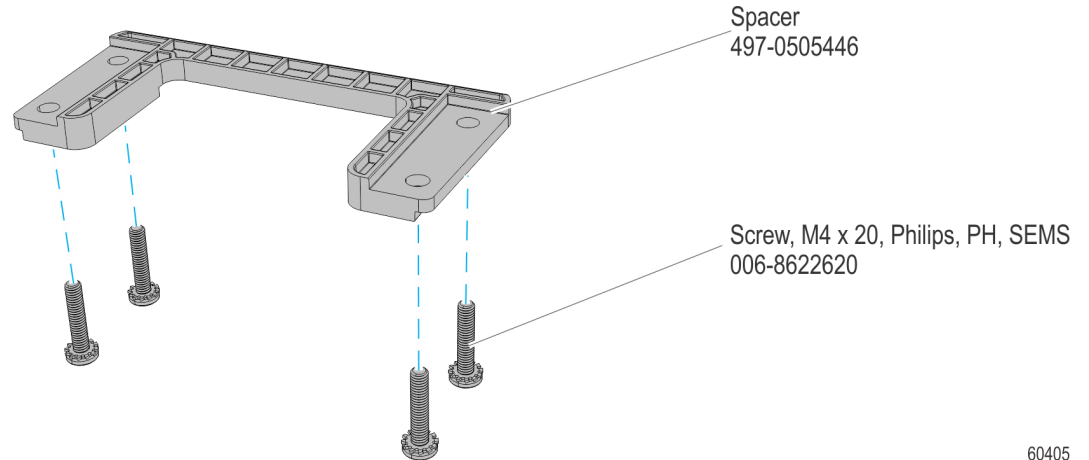
Issue	Date	Remarks
A	Jan 2016	First Issue

Spacer for Customer Display Arm Extension

Introduction

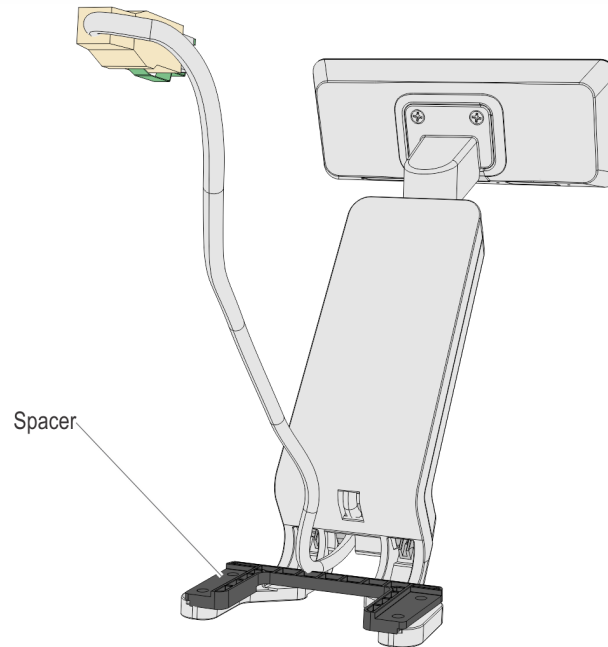
This kit provides the components to add a spacer to the arm extension mount when integrating an external customer display on the P1535/P1235 POS.

The spacer can be used on several kits and the procedure below discusses how to add it to the 7761-K460 kit as an example.



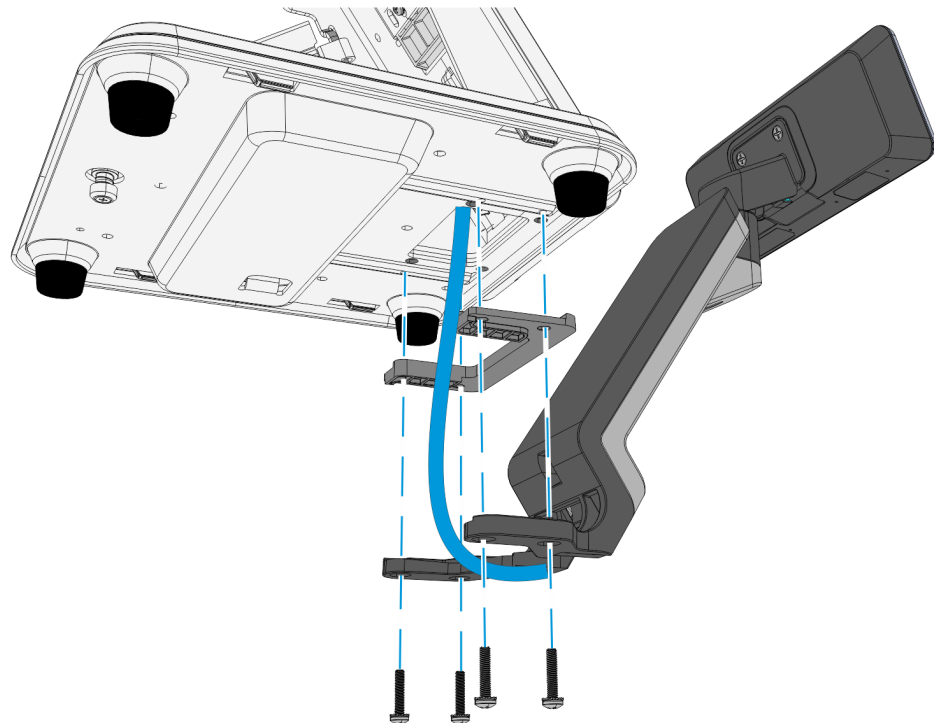
Installation Procedure

1. Place the spacer on top of the base of the customer display stand.



60406

2. Route the cable from the customer display up through the P-Series stand and install the Spacer and customer display onto the bottom of the stand. Secure with screws (4).



60396