

KIT INSTRUCTIONS

Arm Extension Bracket for Customer Display Integrated to P-Series Stand



7761-K462
Issue A



The product described in this document is a licensed product of NCR Corporation.

NCR is a registered trademark of NCR Corporation. Product names mentioned in this publication may be trademarks or registered trademarks of their respective companies and are hereby acknowledged.

The terms HDMI and HDMI High-Definition Multimedia Interface, and the HDMI Logo are trademarks or registered trademarks of HDMI Licensing LLC in the United States and other countries.

Where creation of derivative works, modifications or copies of this NCR copyrighted documentation is permitted under the terms and conditions of an agreement you have with NCR, NCR's copyright notice must be included.

It is the policy of NCR Corporation (NCR) to improve products as new technology, components, software, and firmware become available. NCR, therefore, reserves the right to change specifications without prior notice.

All features, functions, and operations described herein may not be marketed by NCR in all parts of the world. In some instances, photographs are of equipment prototypes. Therefore, before using this document, consult with your NCR representative or NCR office for information that is applicable and current.

To maintain the quality of our publications, we need your comments on the accuracy, clarity, organization, and value of this book. Please use the link below to send your comments.

Email: FD230036@ncr.com

Copyright © 2016–2017

By NCR Corporation

Duluth, GA U.S.A.

All Rights Reserved

Revision Record

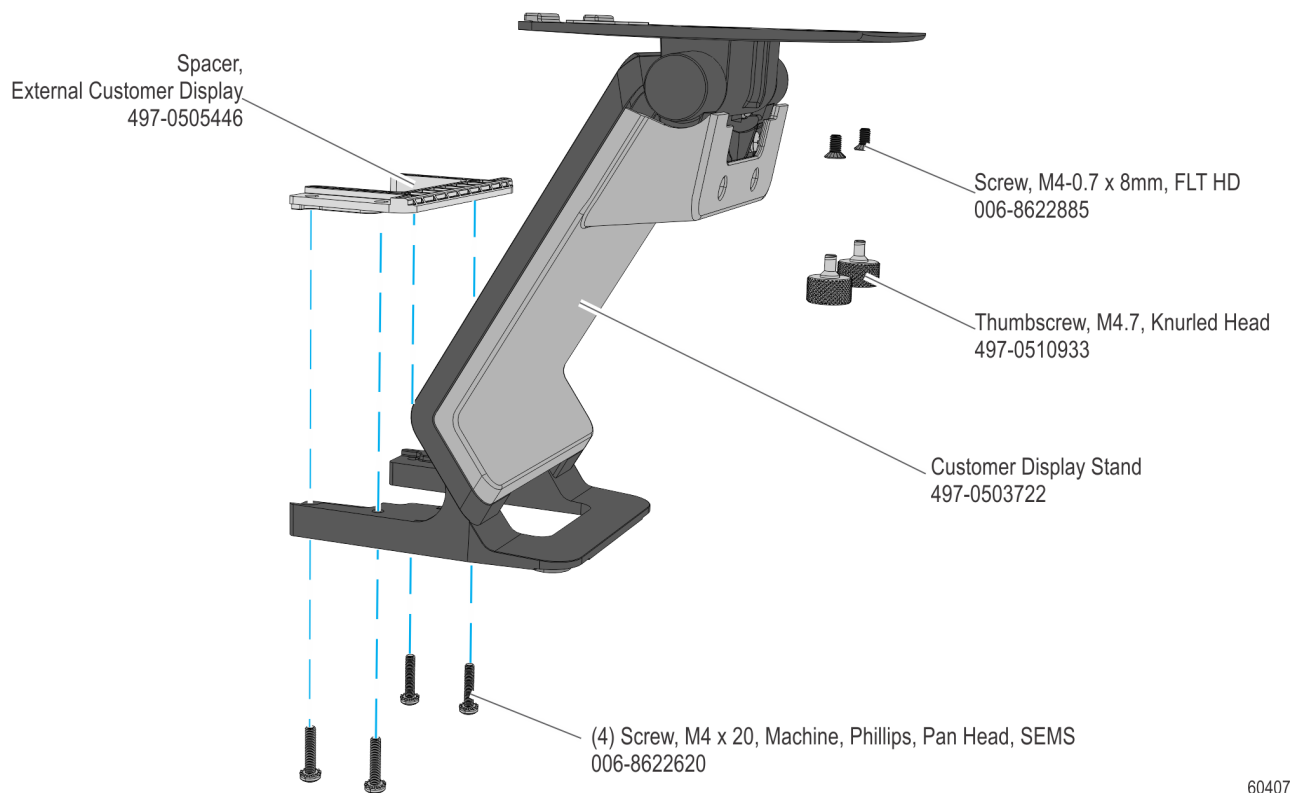
Issue	Date	Remarks
A	Jan 2016	First Issue

Arm Extension Mount for Customer Display

Introduction

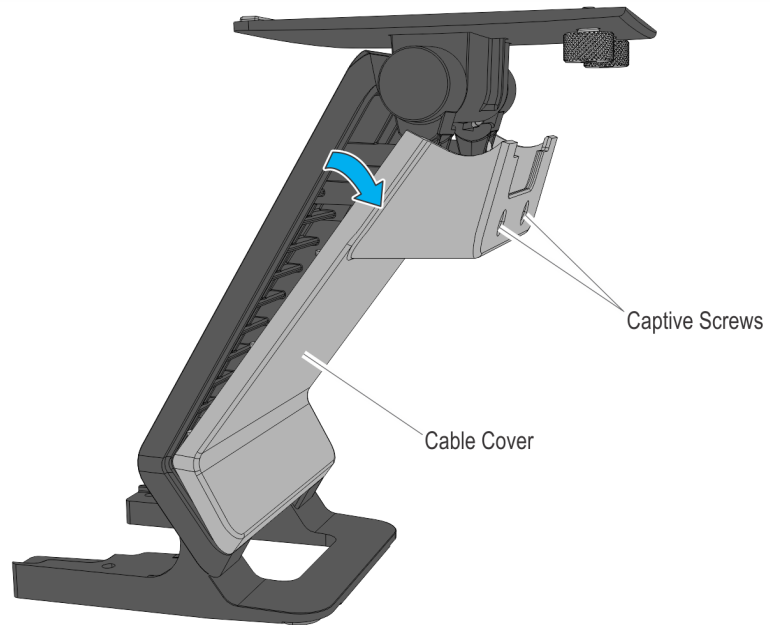
This kit provides the components to add an arm extension bracket to integrate an external customer display on the P1535/P1235 POS.

The procedure below includes a procedure on attaching a sample LCD customer display to the arm extension bracket.



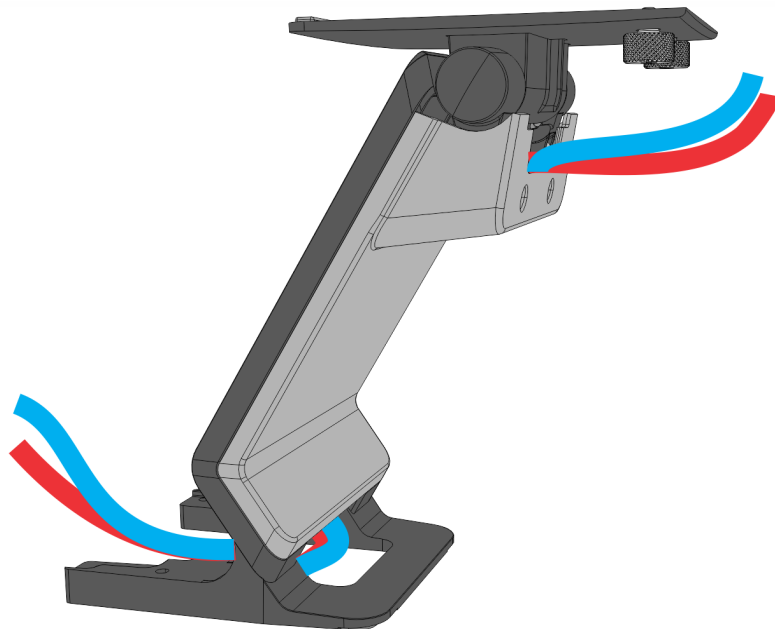
Installation Procedure

1. Remove the Cable Cover from the Extension Arm.
 - a. Loosen the Captive Screws (2).
 - b. Pivot the Cable Cover from the Extension Arm as shown.



60408

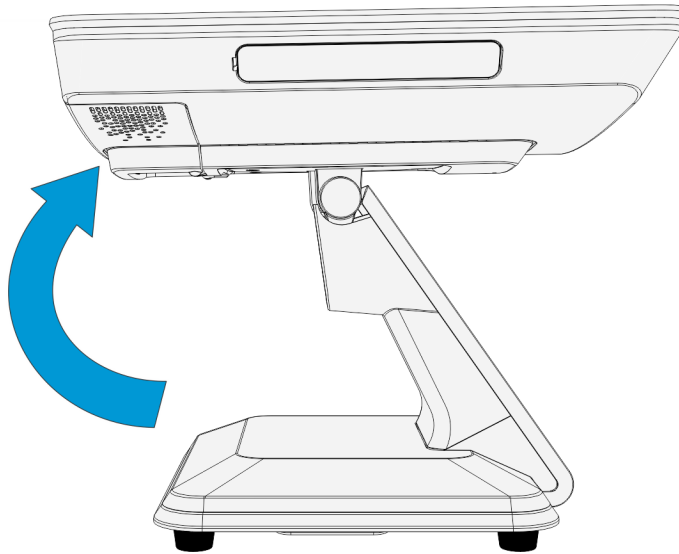
2. Insert the cables into the Extension Arm.



60409

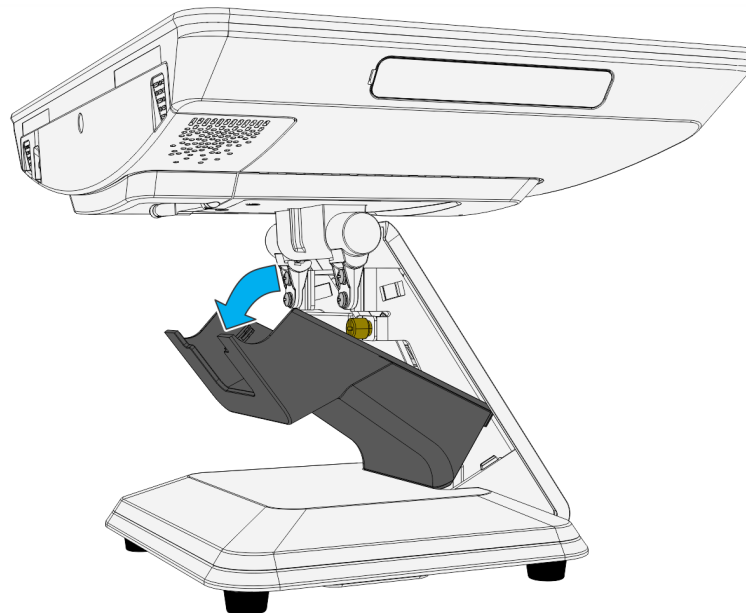
3. Reinstall the Cable Cover.

4. Pivot the display back.



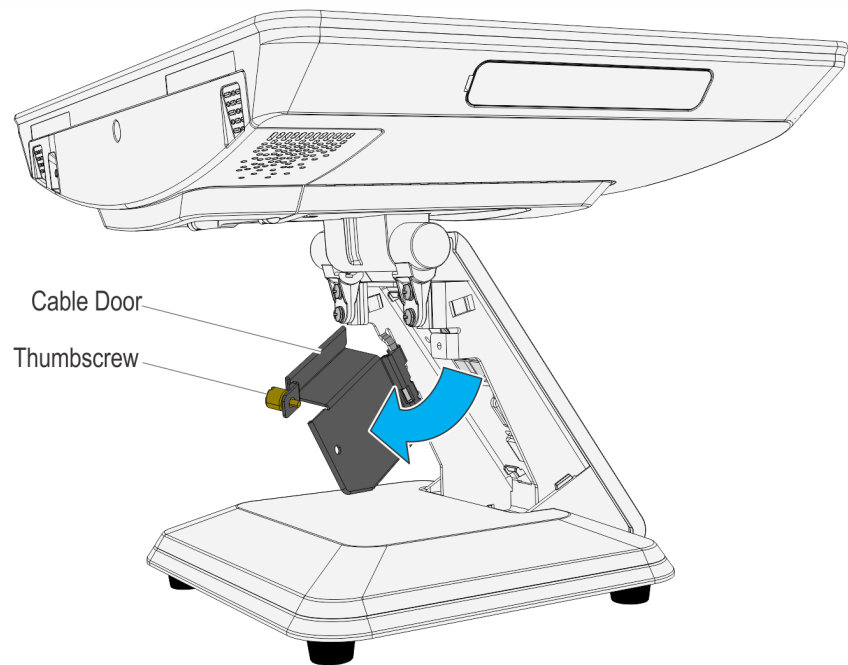
60365

5. Remove the Upper Stand Cover by pivoting it away from the P-Series Stand. The cover has a simple snap fit connection at the top.



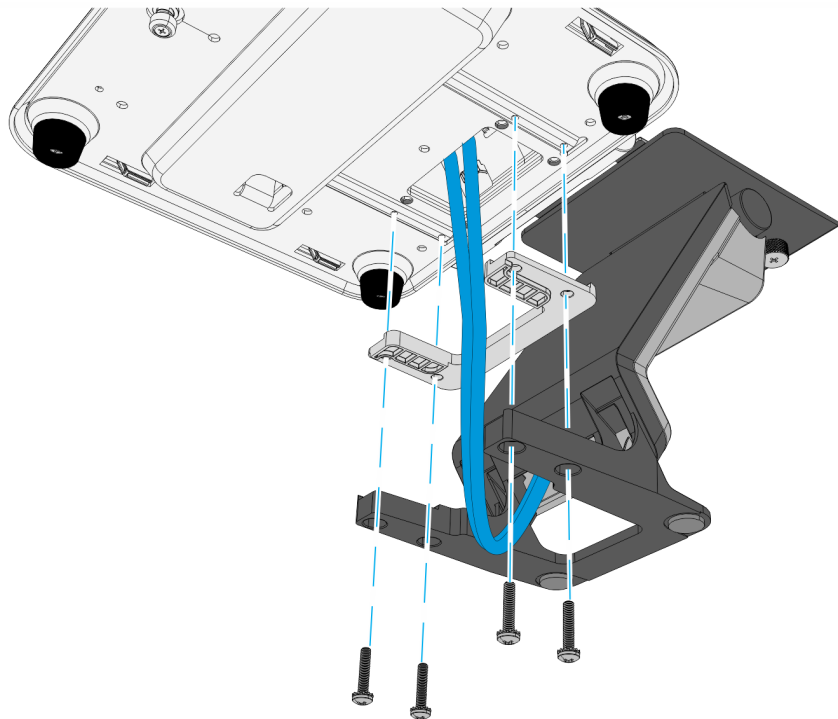
60368

6. Loosen the thumbscrew to open the Cable Door.



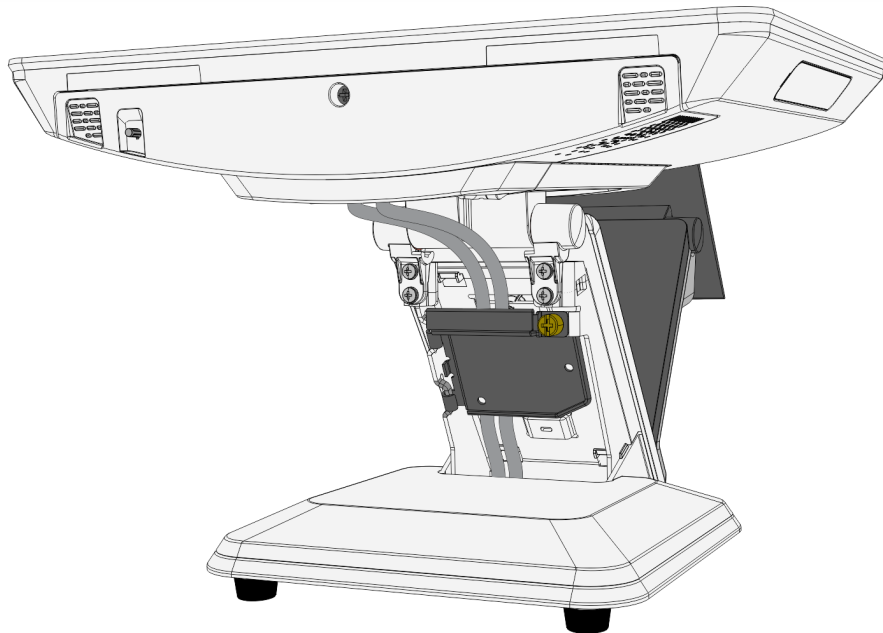
60369

7. Route the cables up through the P-Series Stand and install the Spacer and Extension Arm Assembly onto the bottom of the stand and secure with screws (4).



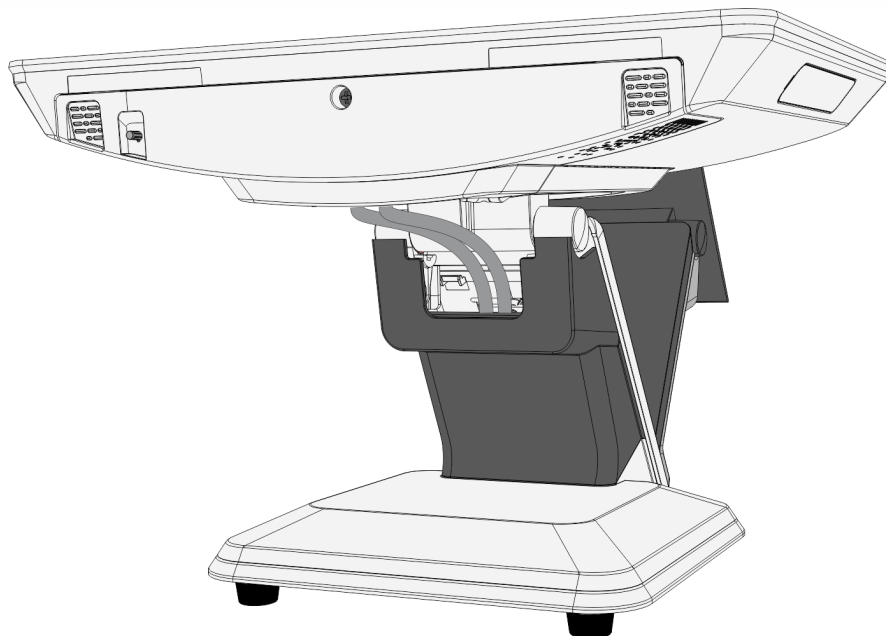
60410

8. Connect the cables to the corresponding connectors. Close the Cable Door and tighten the thumbscrew to secure the cables.



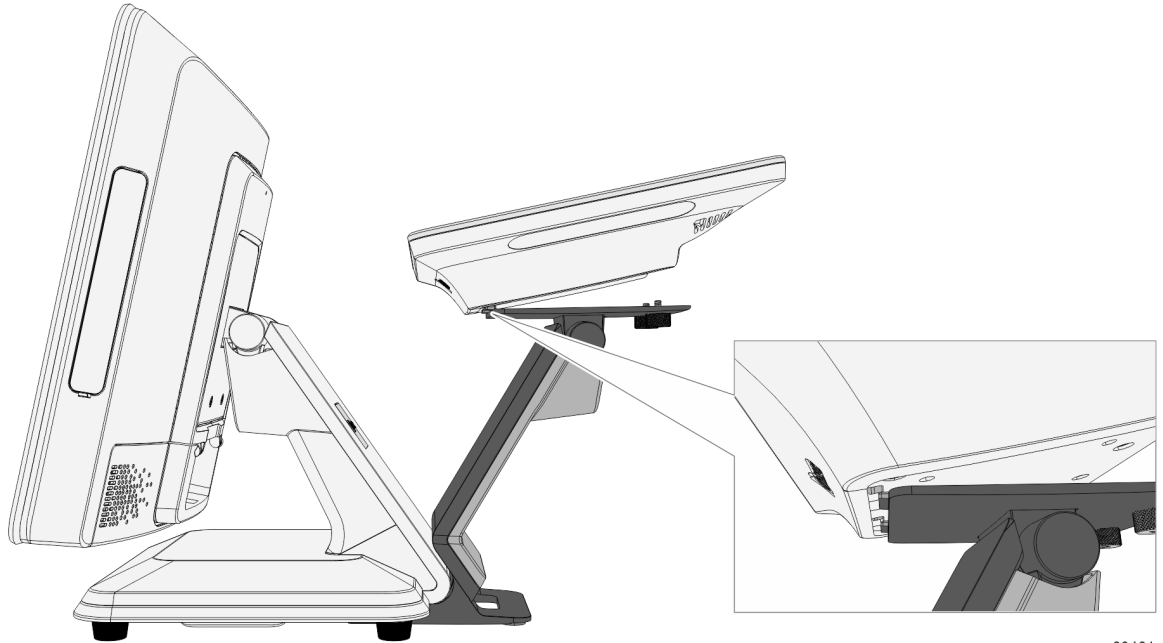
60411

9. Install the Upper Stand Cover.
10. Close and secure the Cable Cover.



60412

11. Install the customer display on the Arm Extension Bracket.
 - a. Tilt the POS to a vertical position and the mounting plate of the customer display to a horizontal position.
 - b. Insert the tabs (2) on the top edge of the mounting plate into the slots of the back of the customer display.



- c. Tighten the thumbscrews or flat-head Phillips screws to secure the display.
12. Connect the corresponding cables to the customer display.