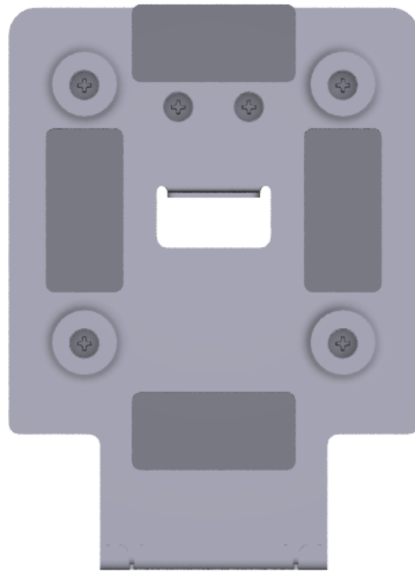


KIT INSTRUCTIONS

Bracket for Customer Display



7761-K461
Issue A



The product described in this document is a licensed product of NCR Corporation.

NCR is a registered trademark of NCR Corporation. Product names mentioned in this publication may be trademarks or registered trademarks of their respective companies and are hereby acknowledged.

The terms HDMI and HDMI High-Definition Multimedia Interface, and the HDMI Logo are trademarks or registered trademarks of HDMI Licensing LLC in the United States and other countries.

Where creation of derivative works, modifications or copies of this NCR copyrighted documentation is permitted under the terms and conditions of an agreement you have with NCR, NCR's copyright notice must be included.

It is the policy of NCR Corporation (NCR) to improve products as new technology, components, software, and firmware become available. NCR, therefore, reserves the right to change specifications without prior notice.

All features, functions, and operations described herein may not be marketed by NCR in all parts of the world. In some instances, photographs are of equipment prototypes. Therefore, before using this document, consult with your NCR representative or NCR office for information that is applicable and current.

To maintain the quality of our publications, we need your comments on the accuracy, clarity, organization, and value of this book. Please use the link below to send your comments.

Email: FD230036@ncr.com

Copyright © 2016–2017

By NCR Corporation

Duluth, GA U.S.A.

All Rights Reserved

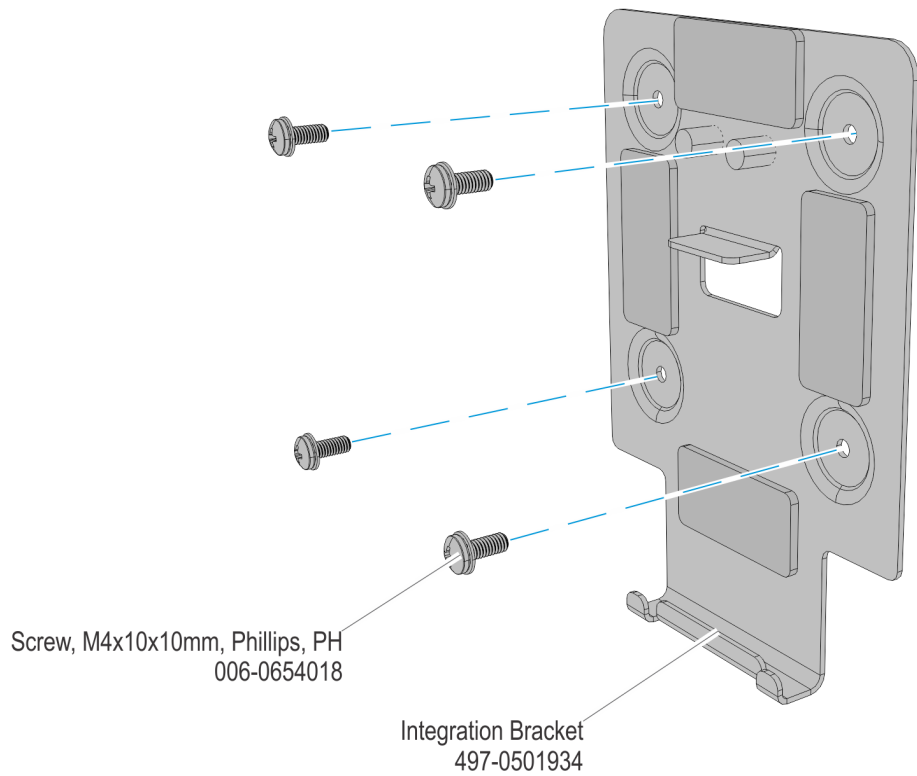
Revision Record

Issue	Date	Remarks
A	Jan 2016	First Issue

Bracket for Customer Display Integrated to P-Series Stand

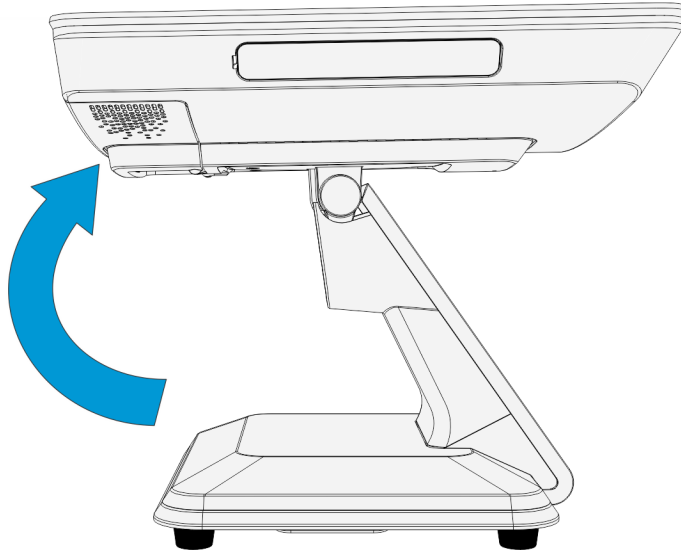
Introduction

This kit provides a bracket for a customer display integrated to the P-Series Stand.



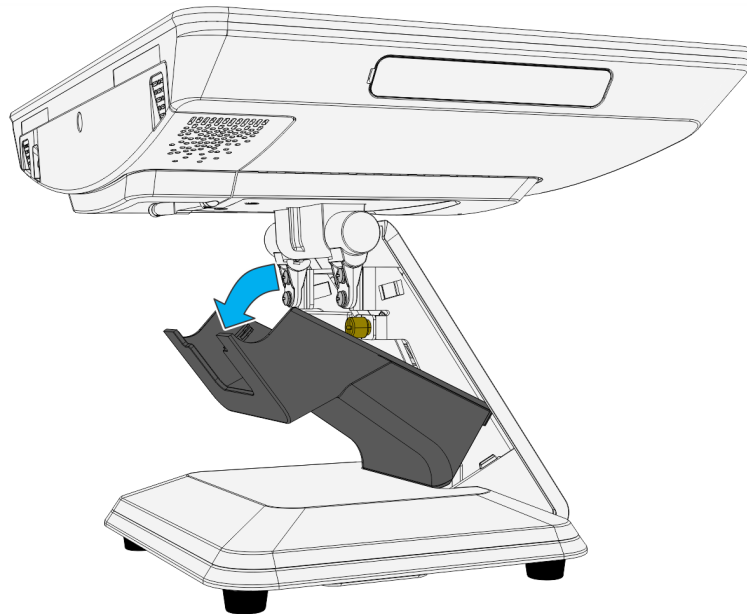
Installation Procedure

1. Pivot the terminal back.



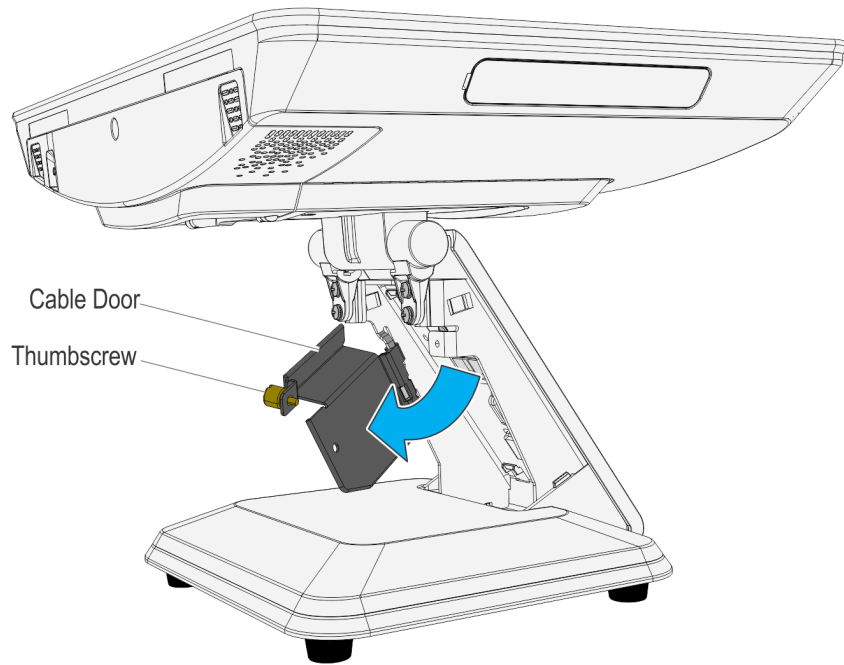
60365

2. Remove the Upper Stand Cover by pivoting it away from the stand. The cover has a simple snap fit connection at the top.



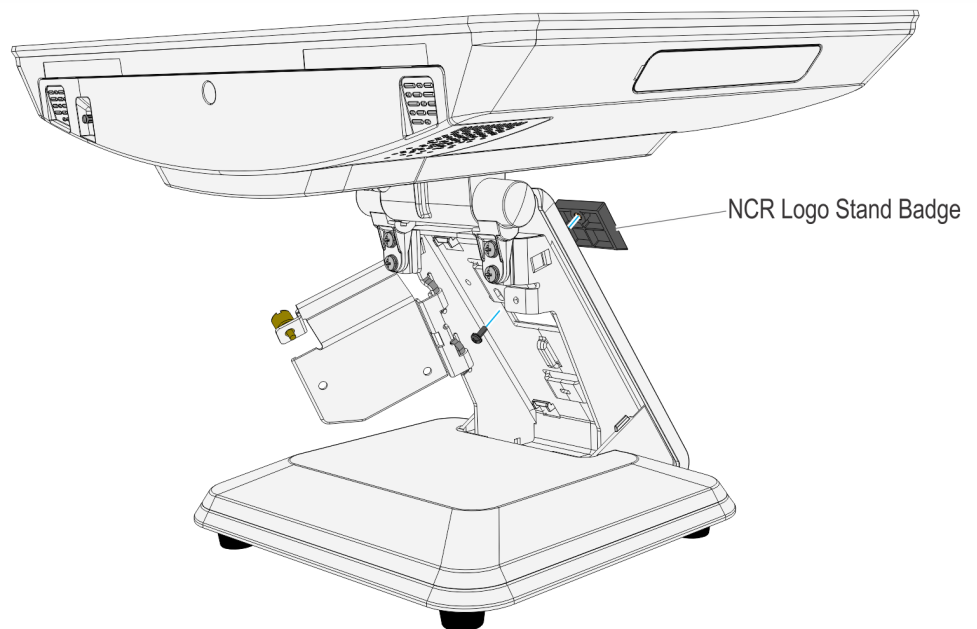
60368

3. Loosen the thumbscrew to open the Cable Door.



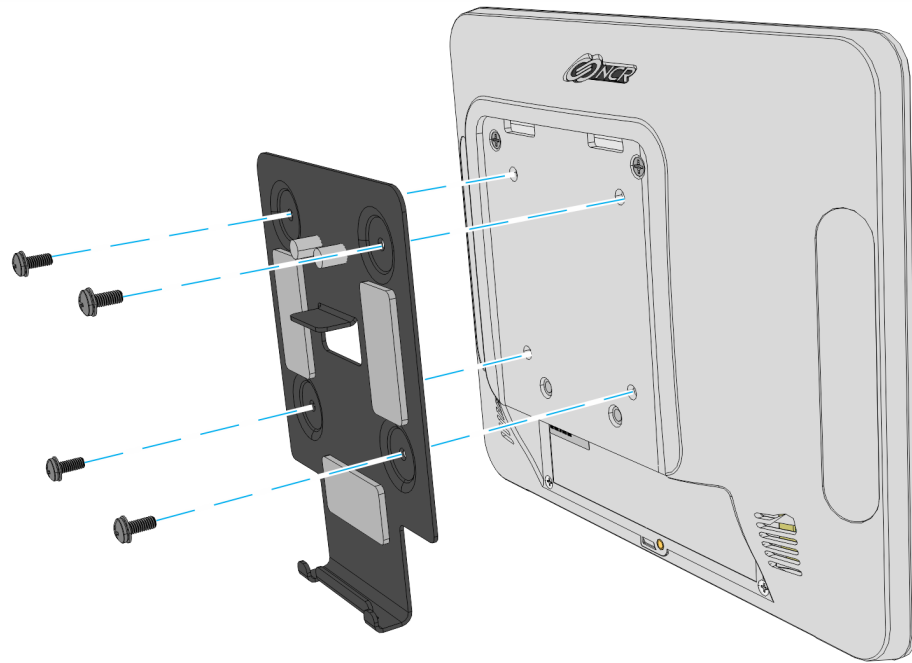
60369

4. Remove the screw that secures the NCR Logo Stand Badge. Remove the badge.



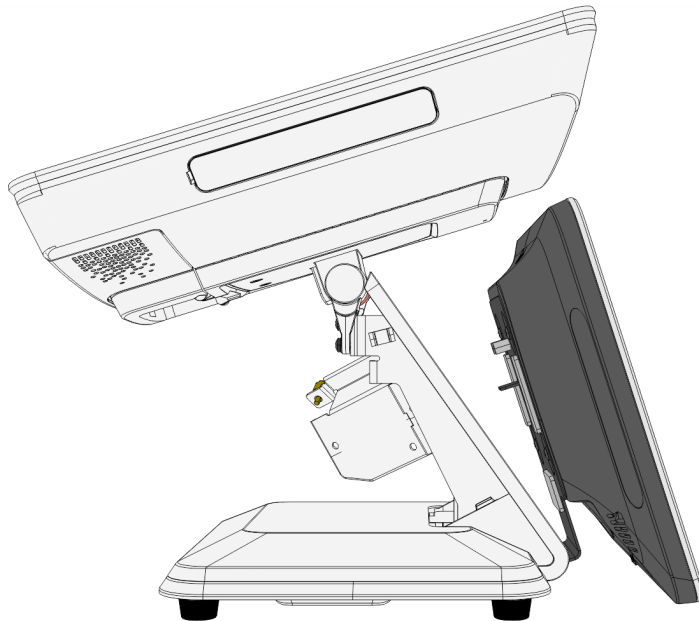
60400

5. Install the Bracket onto the back of the customer display.



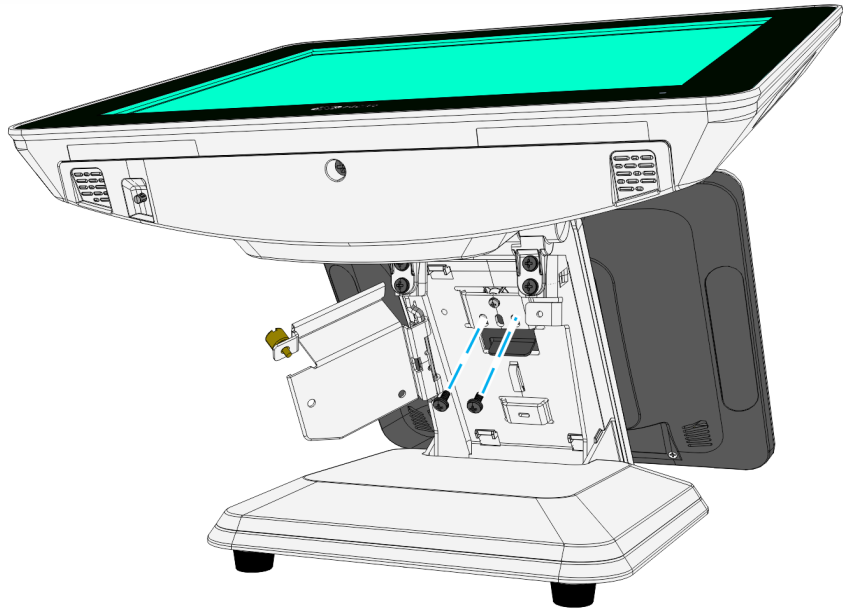
60401

6. Install the customer display and bracket onto the back of the P-Series Stand.
 - a. Hook the bottom of the customer display bracket under the P-Series Stand.



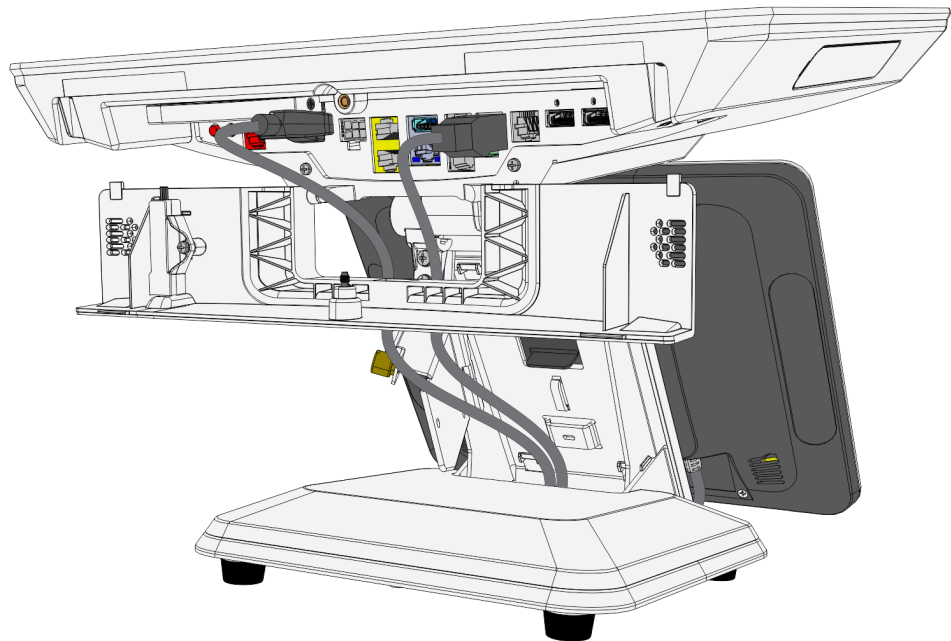
60402

- b. Pivot the assembly into position on the P-Series Stand and secure it from the inside with screws (2).



60403

7. Connect the cables to the display and route the cables up through the P-Series Stand. Close and secure the Cable Door with the thumbscrew.



60404

8. Connect the cables to the corresponding connector on the terminal.
9. Reinstall the Upper Stand Cover.