

KIT INSTRUCTIONS

2x20 Customer Display on Arm Extension Mount



7761-K460
Issue A



The product described in this document is a licensed product of NCR Corporation.

NCR is a registered trademark of NCR Corporation. Product names mentioned in this publication may be trademarks or registered trademarks of their respective companies and are hereby acknowledged.

The terms HDMI and HDMI High-Definition Multimedia Interface, and the HDMI Logo are trademarks or registered trademarks of HDMI Licensing LLC in the United States and other countries.

Where creation of derivative works, modifications or copies of this NCR copyrighted documentation is permitted under the terms and conditions of an agreement you have with NCR, NCR's copyright notice must be included.

It is the policy of NCR Corporation (NCR) to improve products as new technology, components, software, and firmware become available. NCR, therefore, reserves the right to change specifications without prior notice.

All features, functions, and operations described herein may not be marketed by NCR in all parts of the world. In some instances, photographs are of equipment prototypes. Therefore, before using this document, consult with your NCR representative or NCR office for information that is applicable and current.

To maintain the quality of our publications, we need your comments on the accuracy, clarity, organization, and value of this book. Please use the link below to send your comments.

Email: FD230036@ncr.com

Copyright © 2016–2017

By NCR Corporation

Duluth, GA U.S.A.

All Rights Reserved

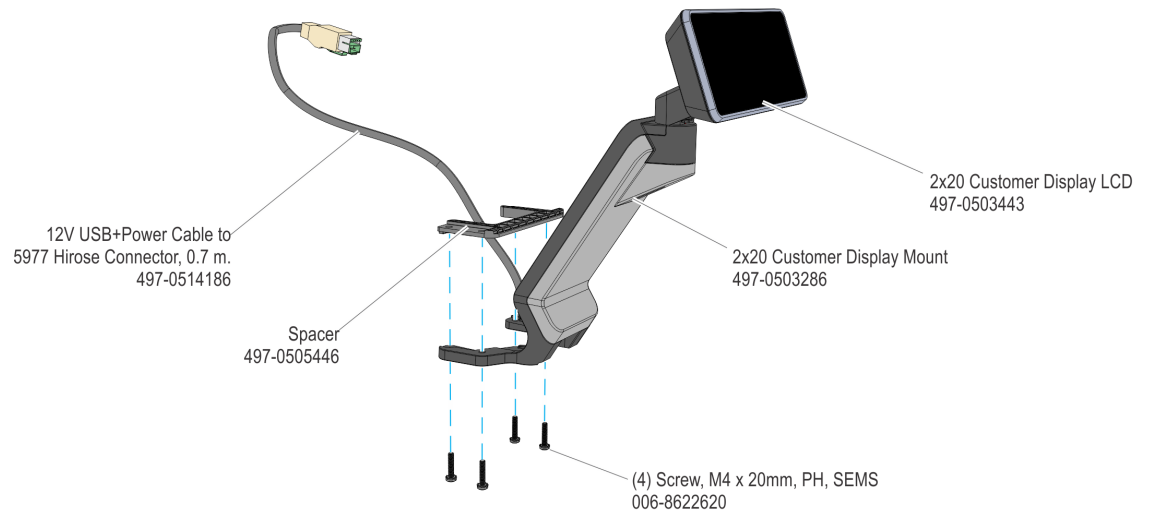
Revision Record

| Issue | Date | Remarks |
|-------|----------|-------------|
| A | Jan 2016 | First Issue |
| | | |
| | | |

2x20 Customer Display on Arm Extension Mount

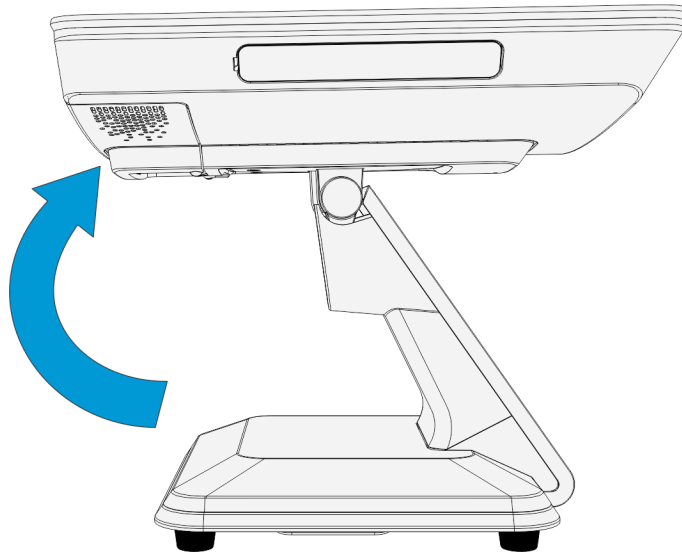
Introduction

This kit provides the components to add a 2x20 customer display. The display is mounted on an Arm Extension connected to the back of the P-Series Stand.



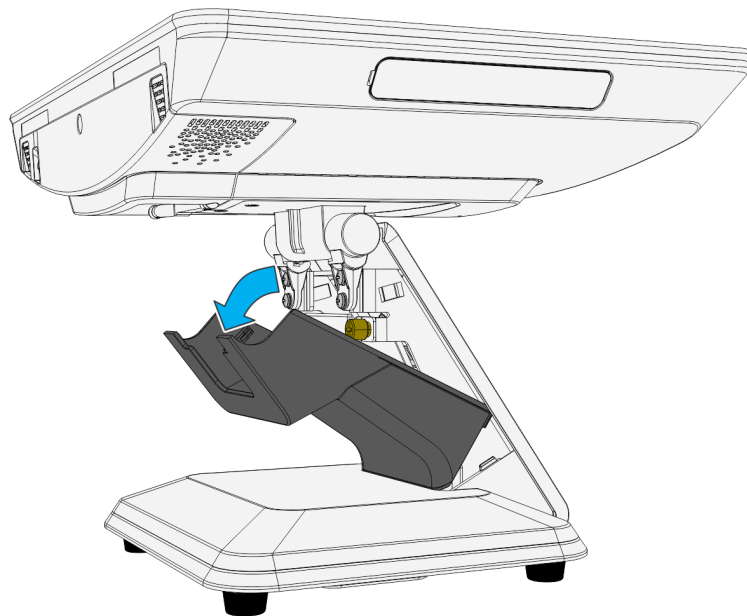
Installation Procedure

1. Pivot the display back.



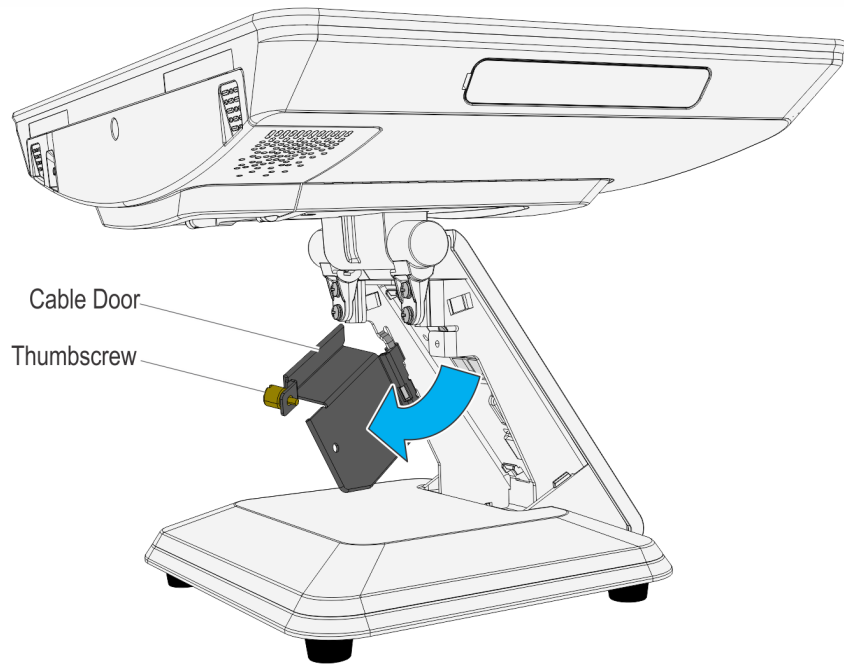
60365

2. Remove the Upper Stand Cover by pivoting it away from the stand. The cover has a simple snap fit connection at the top.



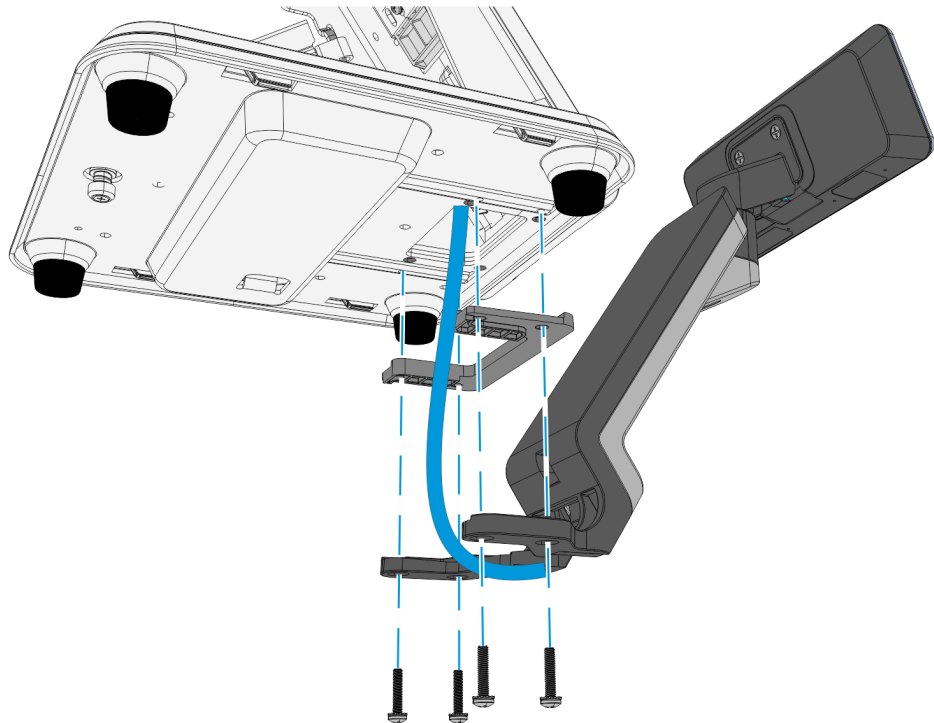
60368

3. Loosen the thumbscrew to open the Cable Door.



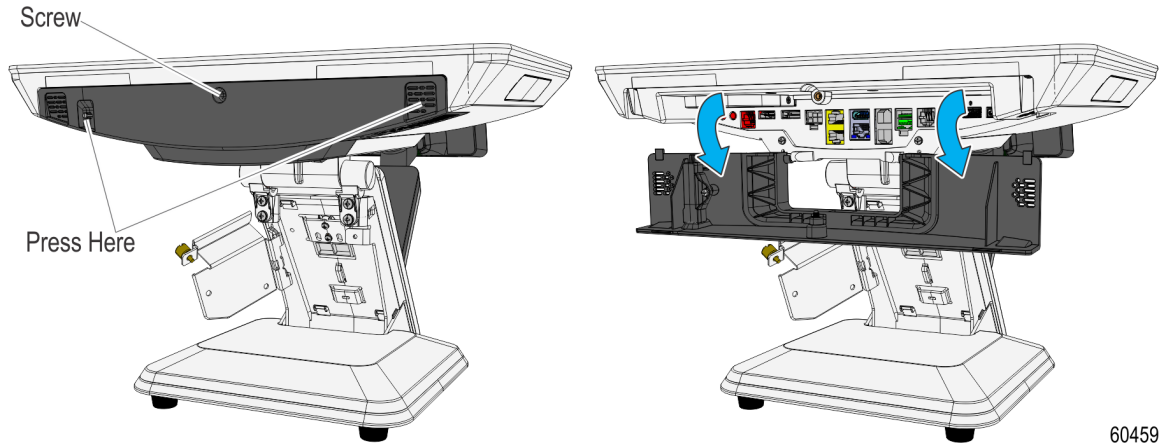
60369

4. Route the USB Cable up through the stand and install the Spacer and 2x20 Customer Display Assembly onto the bottom of the stand and secure with screws (4).



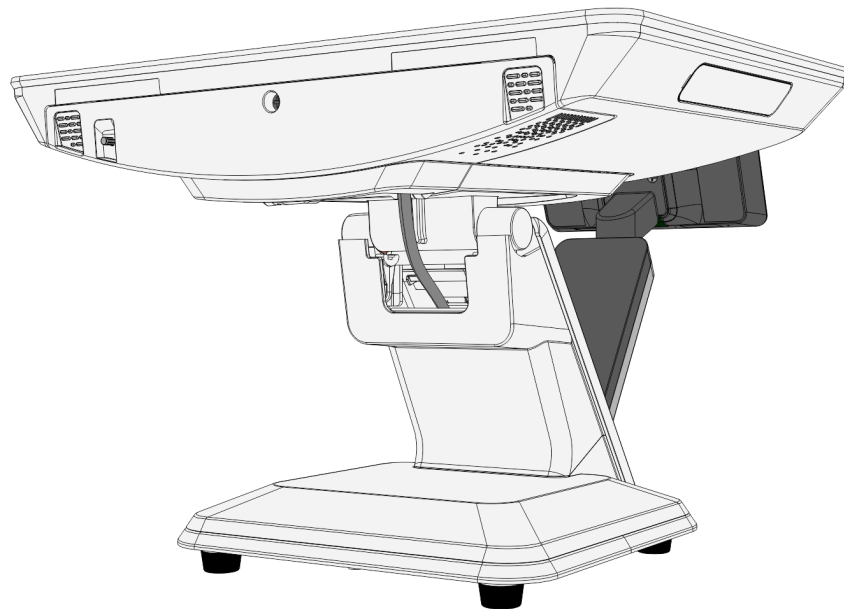
60396

5. Loosen the screw on the Terminal Cable Cover. To open, press on the indentations in the Cable Cover to unlatch the cover and then pivot the cover open.



60459

6. Route the cable up through the P-Series Stand and connect it to the 12V USB + Power connector. Close the Cable Door and tighten the thumbscrew to secure the cables.
7. Close and secure the Terminal Cable Cover.
8. Install the Upper Stand Cover.



60398