

KIT INSTRUCTIONS

P-Series Stand Mount Scanner with Magnet

Release 1.0

7761-K329
Issue A



The product described in this document is a licensed product of NCR Corporation.

NCR is a registered trademark of NCR Corporation. Product names mentioned in this publication may be trademarks or registered trademarks of their respective companies and are hereby acknowledged.

The terms HDMI and HDMI High-Definition Multimedia Interface, and the HDMI Logo are trademarks or registered trademarks of HDMI Licensing LLC in the United States and other countries.

Where creation of derivative works, modifications or copies of this NCR copyrighted documentation is permitted under the terms and conditions of an agreement you have with NCR, NCR's copyright notice must be included.

It is the policy of NCR Corporation (NCR) to improve products as new technology, components, software, and firmware become available. NCR, therefore, reserves the right to change specifications without prior notice.

All features, functions, and operations described herein may not be marketed by NCR in all parts of the world. In some instances, photographs are of equipment prototypes. Therefore, before using this document, consult with your NCR representative or NCR office for information that is applicable and current.

To maintain the quality of our publications, we need your comments on the accuracy, clarity, organization, and value of this book. Please use the link below to send your comments.

Email: FD230036@ncr.com

Copyright © 2017
By NCR Corporation
Duluth, GA U.S.A.
All Rights Reserved

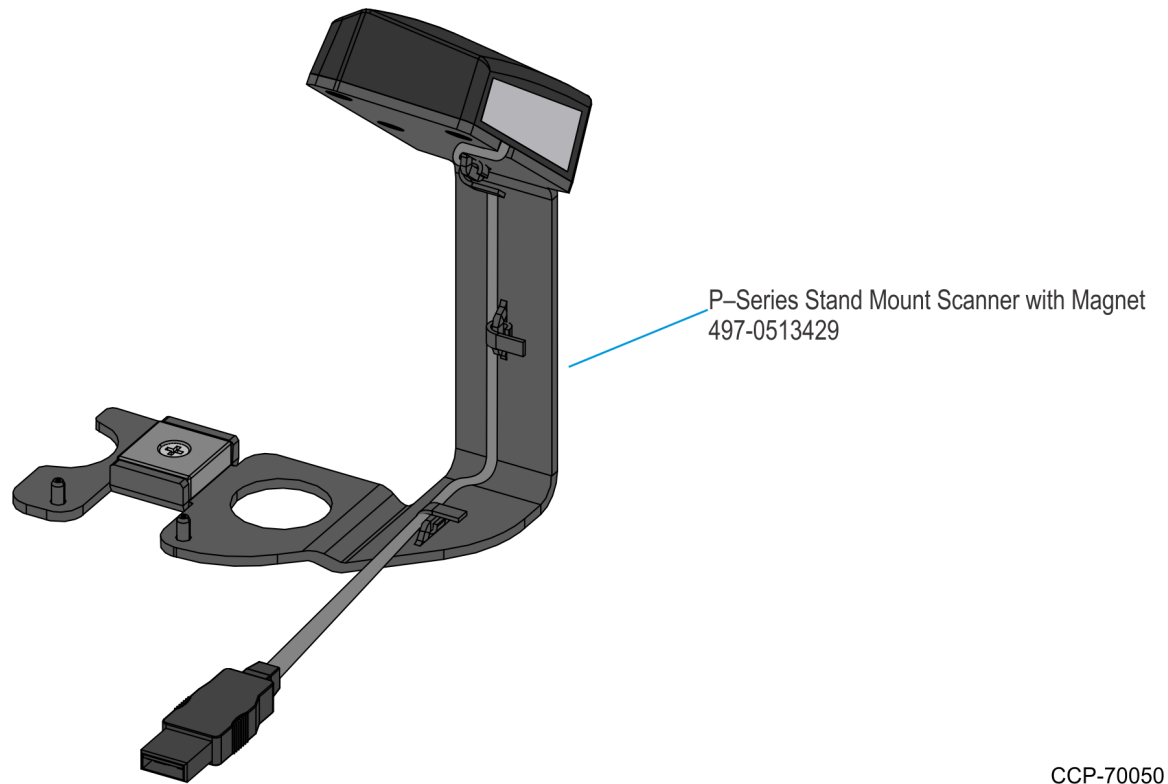
Revision Record

Issue	Date	Remarks
A	Jan 2017	First Issue

P-Series Stand Mount Scanner with Magnet

Introduction

This kit provides a P-Series Stand Mount Scanner with magnet for the NCR P1535 POS. This kit is also compatible with the NCR P1235 POS.



CCP-70050

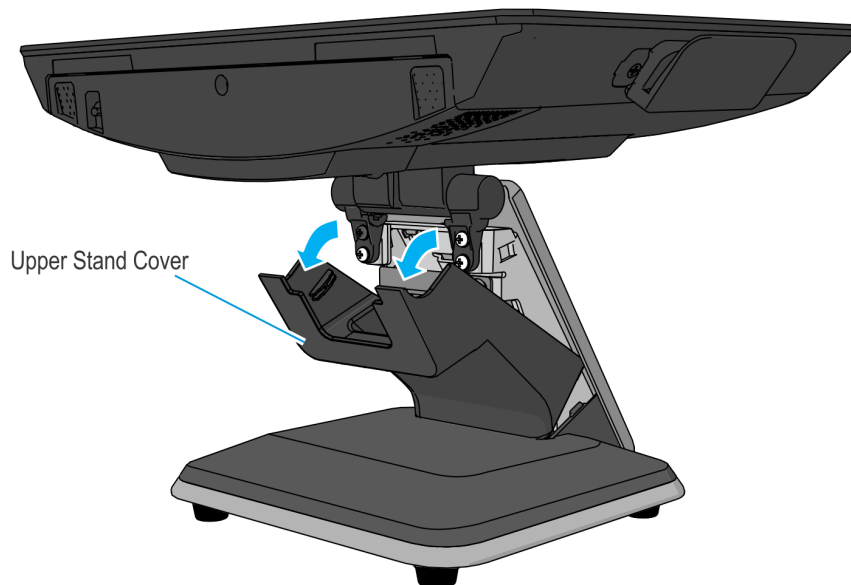
Installation Procedure

1. Pivot the display back.



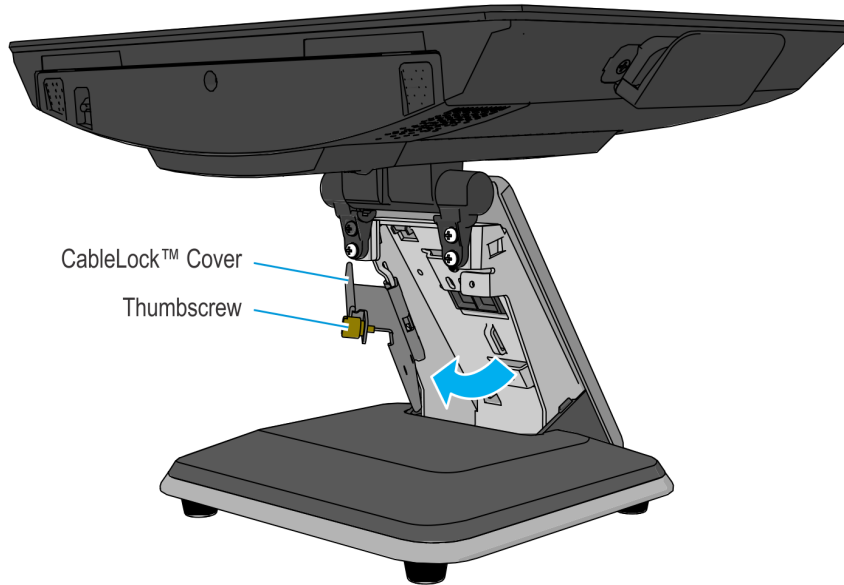
CCP-70055

2. Remove the Upper Stand Cover by pivoting it away from the stand. The cover has a simple snap fit connection at the top.



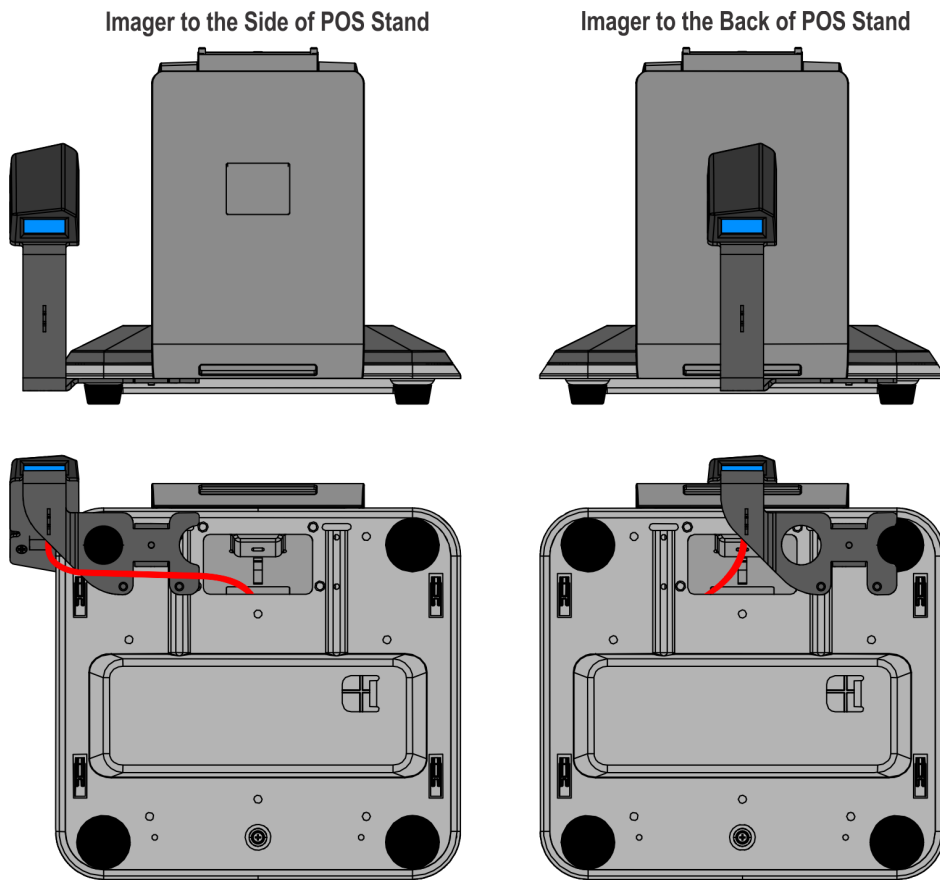
CCP-70060

3. Open the CableLock™ Cover (Captive Thumbscrew).



CCP-70056

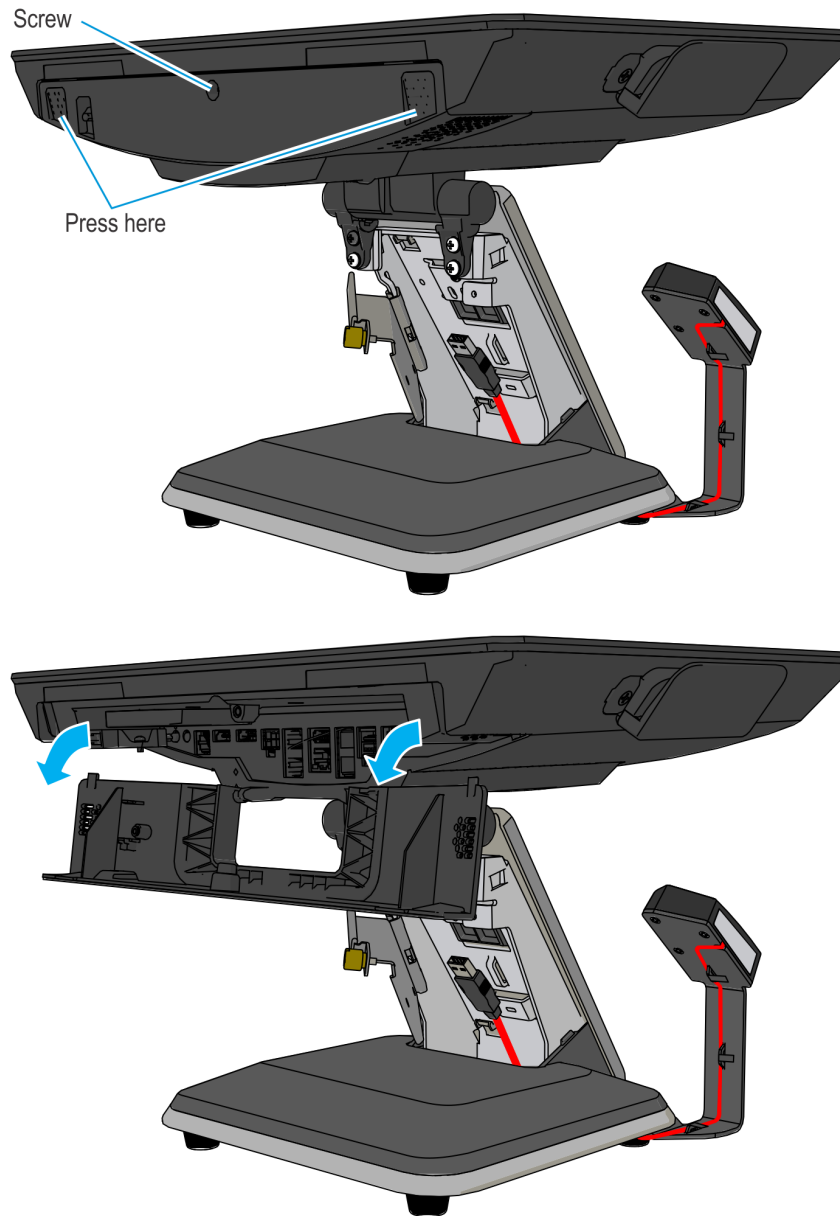
4. The Imager can be positioned to the side or to the back of the stand. Route the USB Cable up through the stand and mount the assembly in the desired position.



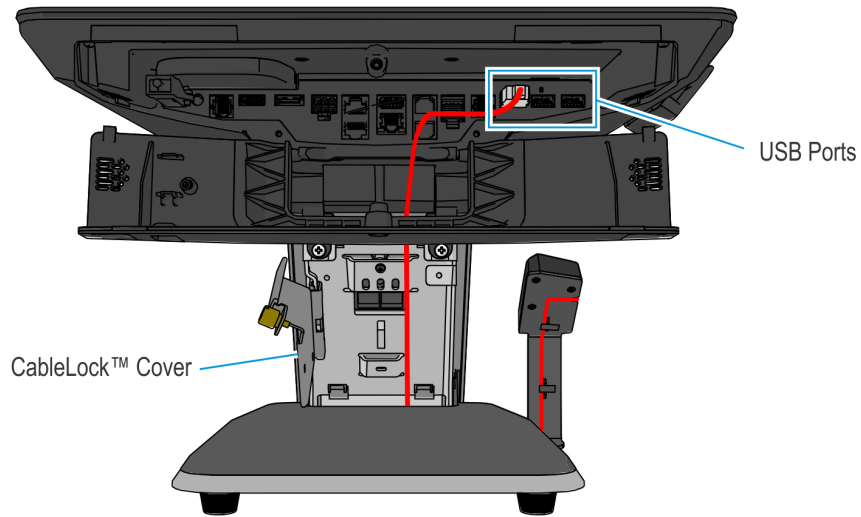
Bottom View

CCP-70051

5. Loosen the screw on the Terminal Cable Cover. To open, press on the indentations in the Cable Cover to unlatch the cover and then pivot the cover open.



6. Route the cable up through the P-Series Stand and connect it to any available USB Port. Close and secure the CableLock™ Cover.



CCP-70058

7. Re-install the Upper Stand Cover.
8. Close and secure the Cable Cover.



CCP-70059

