

KIT INSTRUCTIONS

Secure Countertop Bracket



7761-K321
Issue A



The product described in this document is a licensed product of NCR Corporation.

NCR is a registered trademark of NCR Corporation. Product names mentioned in this publication may be trademarks or registered trademarks of their respective companies and are hereby acknowledged.

The terms HDMI and HDMI High-Definition Multimedia Interface, and the HDMI Logo are trademarks or registered trademarks of HDMI Licensing LLC in the United States and other countries.

Where creation of derivative works, modifications or copies of this NCR copyrighted documentation is permitted under the terms and conditions of an agreement you have with NCR, NCR's copyright notice must be included.

It is the policy of NCR Corporation (NCR) to improve products as new technology, components, software, and firmware become available. NCR, therefore, reserves the right to change specifications without prior notice.

All features, functions, and operations described herein may not be marketed by NCR in all parts of the world. In some instances, photographs are of equipment prototypes. Therefore, before using this document, consult with your NCR representative or NCR office for information that is applicable and current.

To maintain the quality of our publications, we need your comments on the accuracy, clarity, organization, and value of this book. Please use the link below to send your comments.

Email: FD230036@ncr.com

Copyright © 2017
By NCR Corporation
Duluth, GA U.S.A.
All Rights Reserved

Revision Record

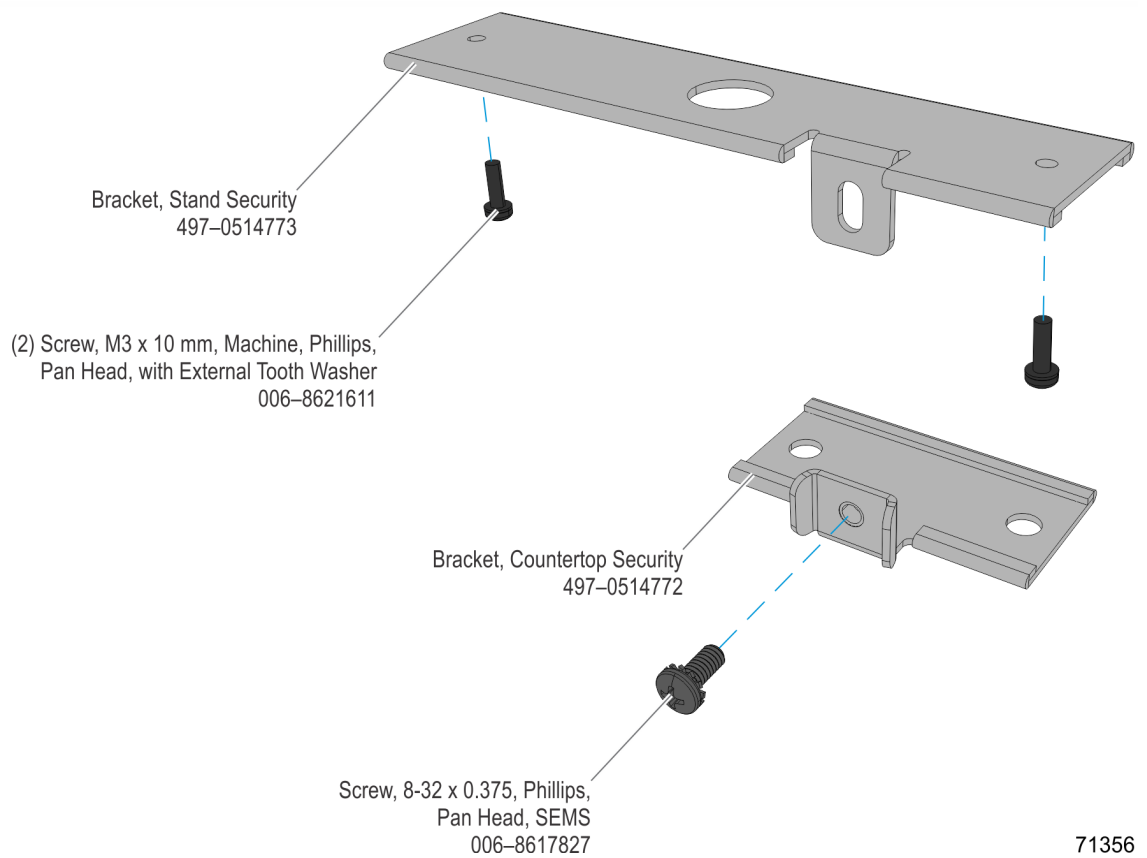
Issue	Date	Remarks
A	May 2017	First Issue

Secure Countertop Bracket

Introduction

This kit provides a secure countertop bracket for a P-Series stand.

Kit Content

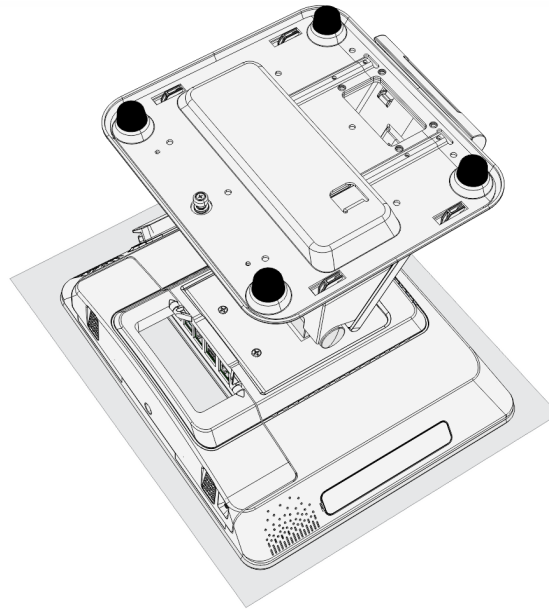


Installation Procedure

1. Lay the terminal face down on a flat surface.

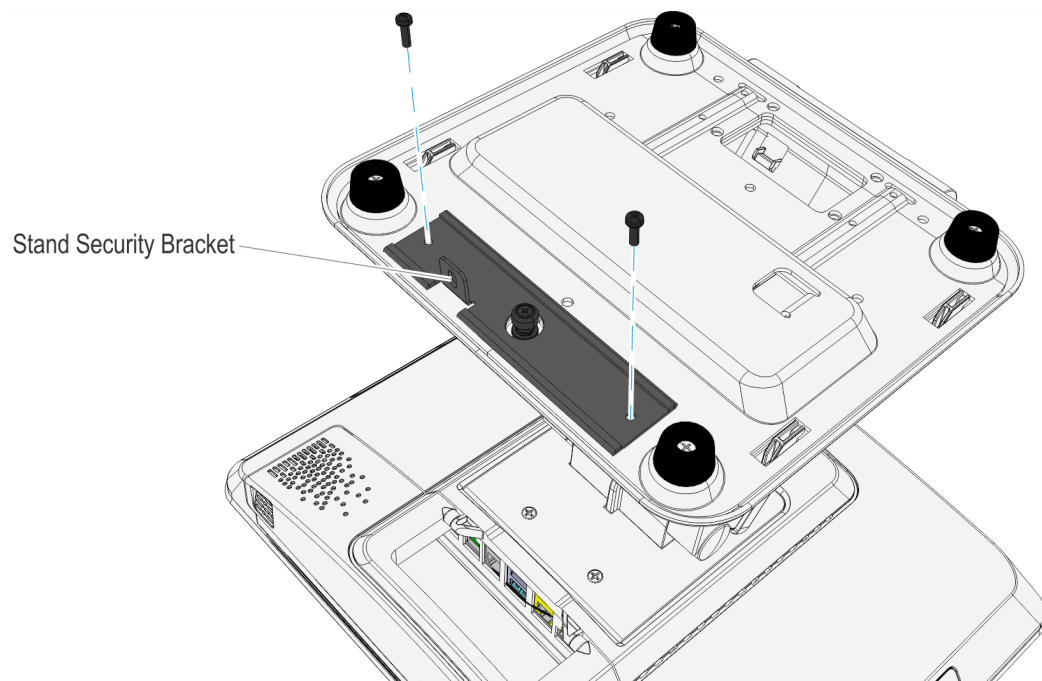


Caution: Always use a soft material (cloth, foam) to protect the display screen when placing the terminal face down.



71327

2. Mount the Stand Security Bracket on the base of the P-Series Stand. Secure with M3 x 10 screws (2).

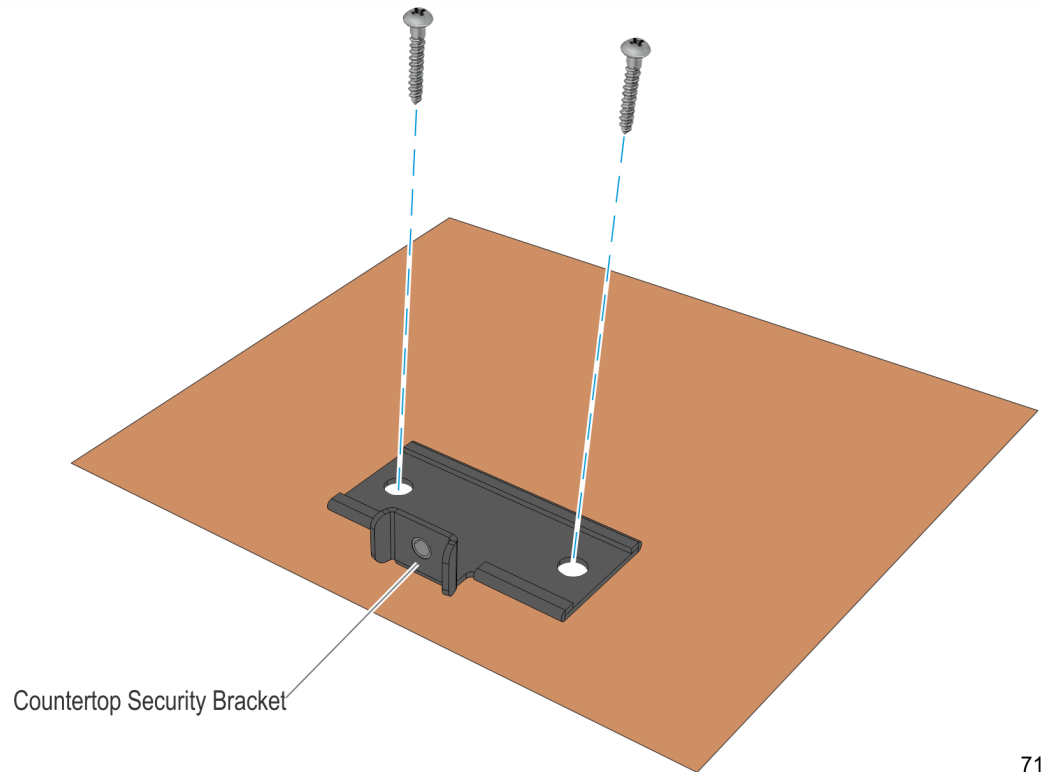


71353

3. Install the Countertop Security Bracket to the countertop and secure with screws (2).

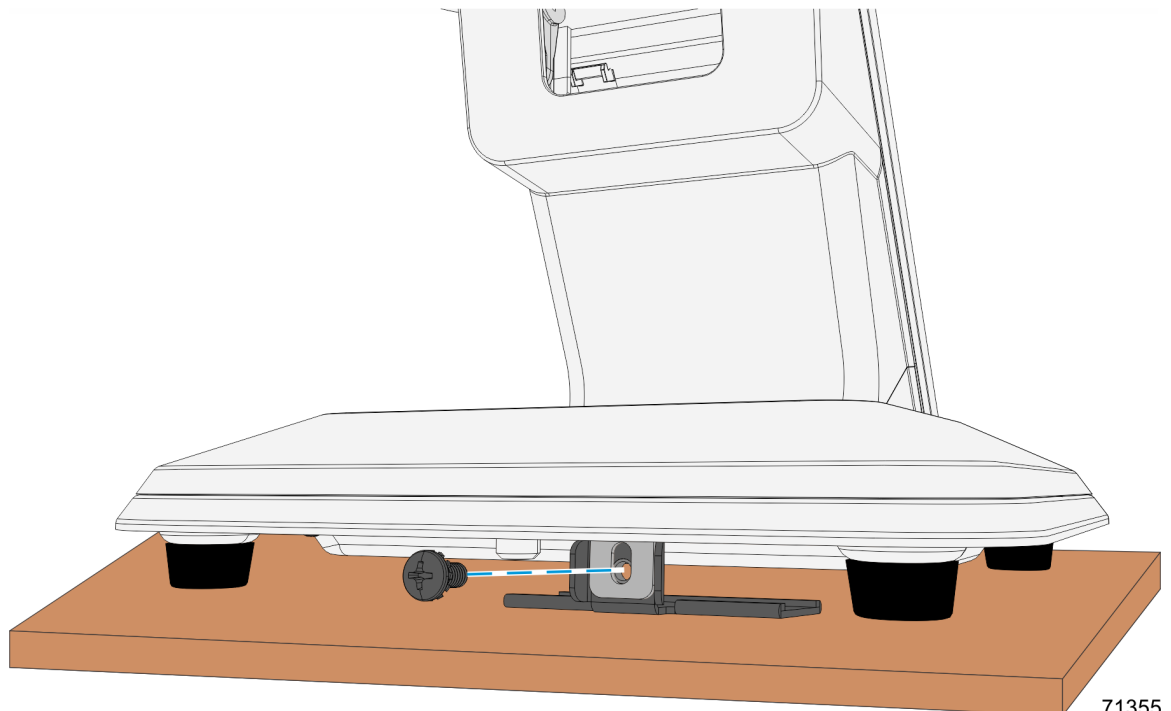


Note: The screws are not included in the kit.



71354

4. Mount the installed Stand Security Bracket to the Countertop Security Bracket and secure with screw.



71355