

KIT INSTRUCTIONS

40GB/60GB/120GB Solid State Drive

Release 1.0



7761-K240/K241/K243
Issue A



The product described in this document is a licensed product of NCR Corporation.

NCR is a registered trademark of NCR Corporation. Product names mentioned in this publication may be trademarks or registered trademarks of their respective companies and are hereby acknowledged.

The terms HDMI and HDMI High-Definition Multimedia Interface, and the HDMI Logo are trademarks or registered trademarks of HDMI Licensing LLC in the United States and other countries.

Where creation of derivative works, modifications or copies of this NCR copyrighted documentation is permitted under the terms and conditions of an agreement you have with NCR, NCR's copyright notice must be included.

It is the policy of NCR Corporation (NCR) to improve products as new technology, components, software, and firmware become available. NCR, therefore, reserves the right to change specifications without prior notice.

All features, functions, and operations described herein may not be marketed by NCR in all parts of the world. In some instances, photographs are of equipment prototypes. Therefore, before using this document, consult with your NCR representative or NCR office for information that is applicable and current.

To maintain the quality of our publications, we need your comments on the accuracy, clarity, organization, and value of this book. Please use the link below to send your comments.

Email: FD230036@ncr.com

Copyright © 2017
By NCR Corporation
Duluth, GA U.S.A.
All Rights Reserved

Revision Record

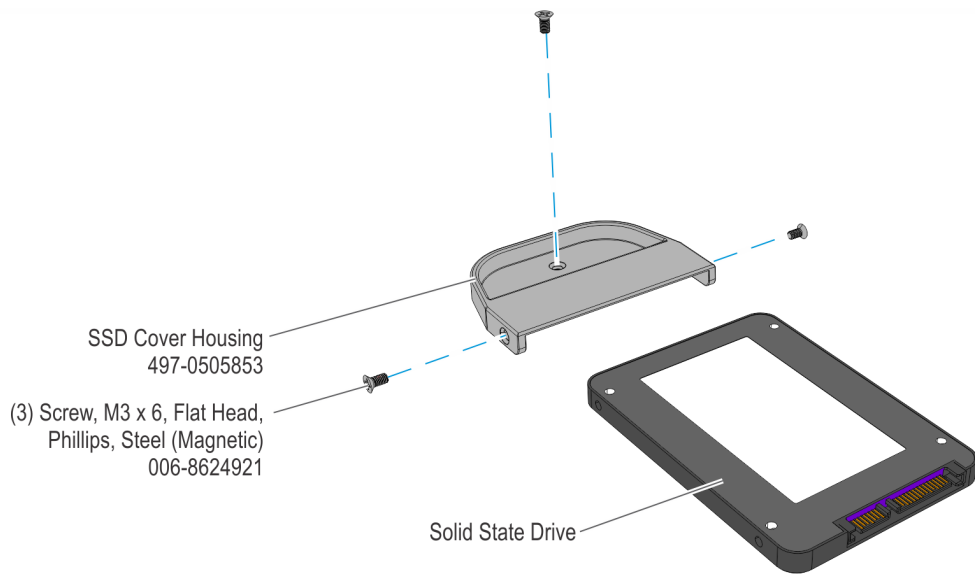
Issue	Date	Remarks
A	Apr 2017	First Issue

40GB/60GB/120GB Solid State Drive

Introduction

This kit provides a 40GB/60GB/120GB, 2.5" Solid State Drive (SSD) for a P1535/P1235 POS.

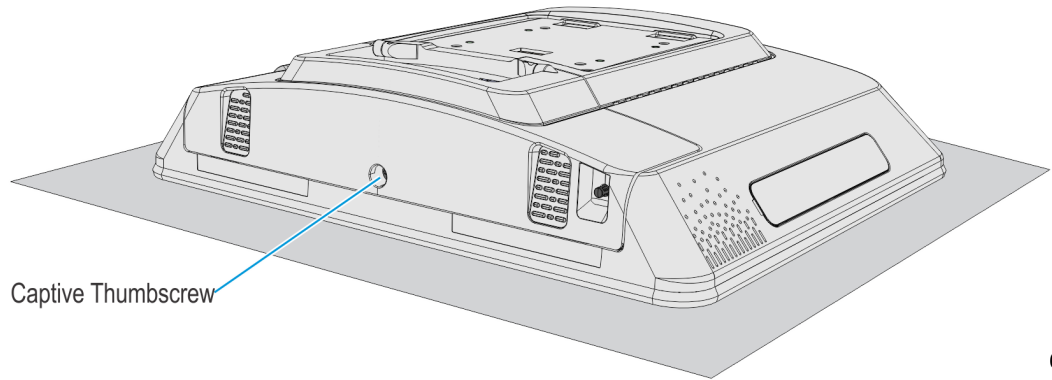
Kit Content



Kit Number	Part Number	Description
7761-K240	006-8625385	Apacer 2.5" SATA, 40GB, APS25AF4040G-A4MCM-NCR
7761-K241	006-8625426	Apacer 2.5" SATA, 60GB, APS25AF4060G-A4MCM-NCR
7761-K243	006-8625150	SSD - 2.5" Apacer, SATA, 120GB

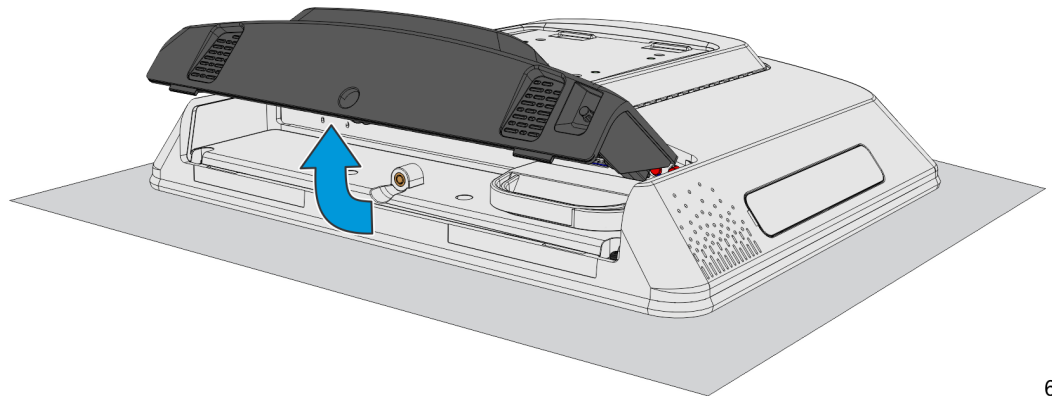
Installation Procedure

1. Loosen the captive thumbscrew (1) that secures the cable cover.



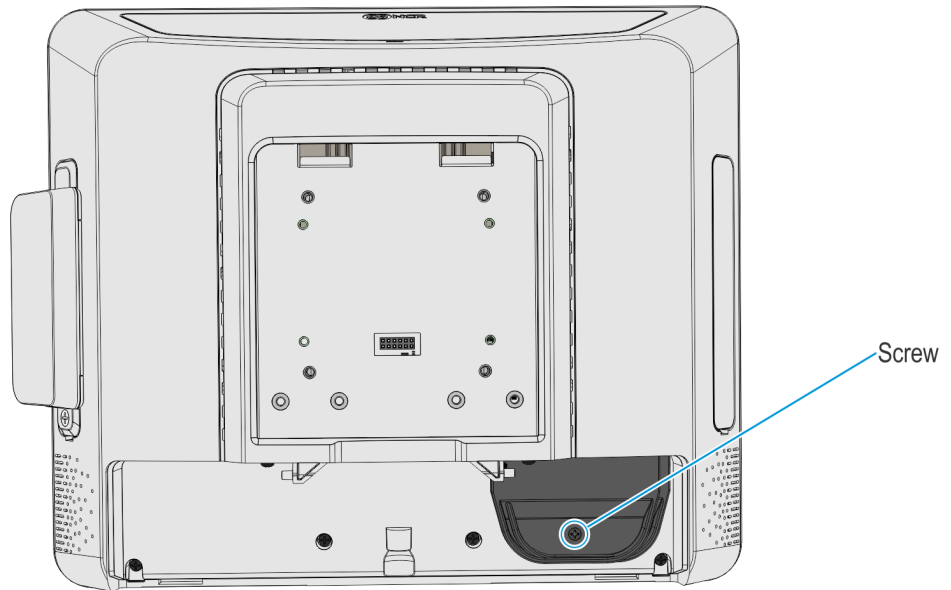
66091

2. To open, press on the indentations in the cable cover to unlatch the cover and then pivot the cover open. Detach the cable cover.



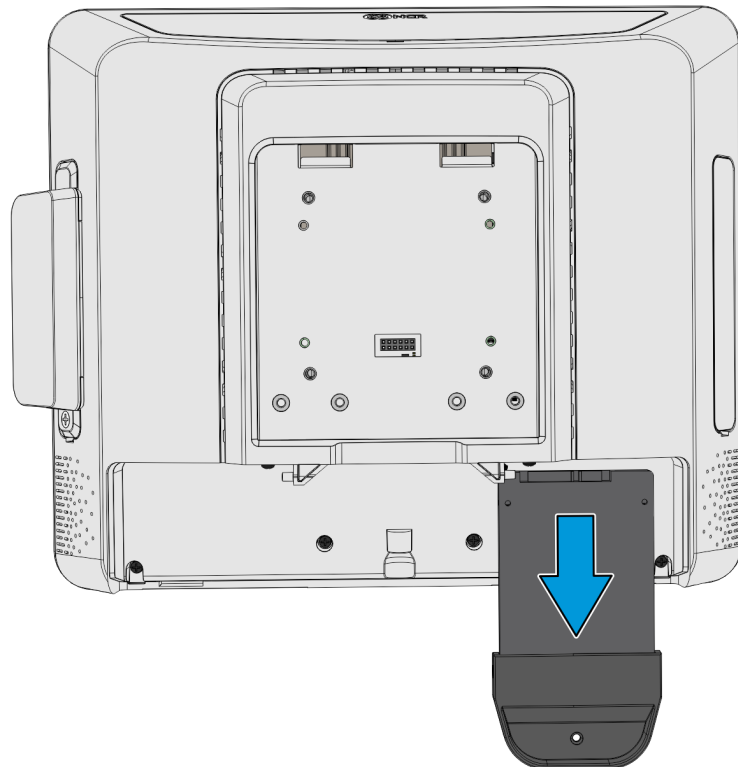
66092

3. Remove the screw (1) that secures the Solid-State Cover.



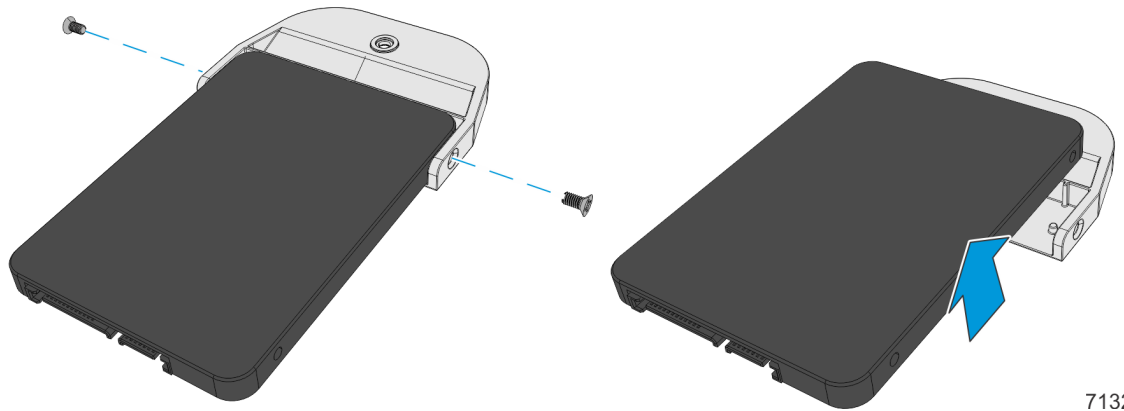
66094

4. Remove the Solid-State Cover and SSD.



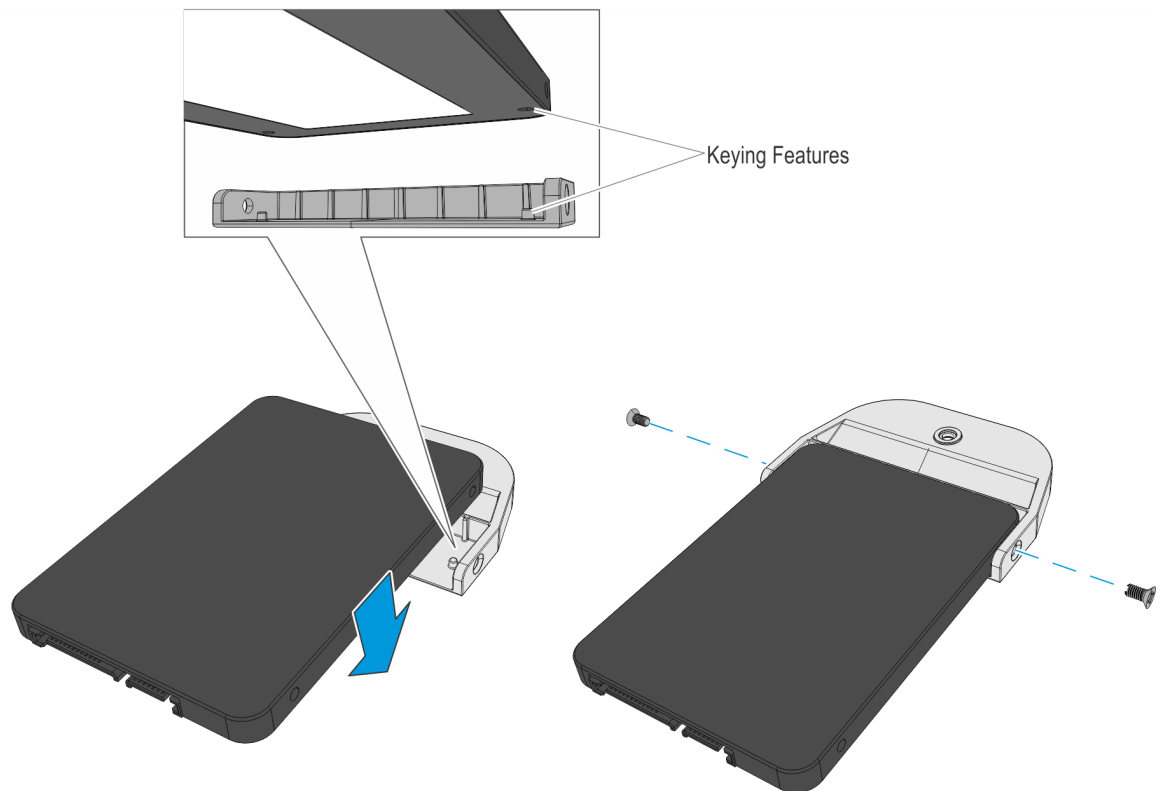
66095

5. Remove the screws (2) that secure the SSD to the Solid-State Cover. Remove the SSD.



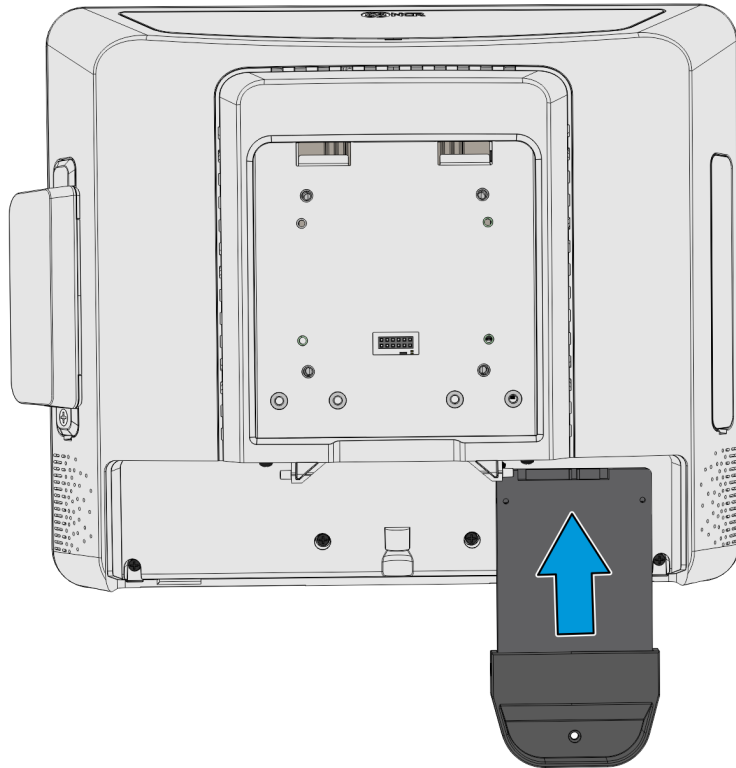
71322

6. Mount the new 40GB/60GB/120 SSD to the Solid-State Cover through the keying features. Secure with screws (2).



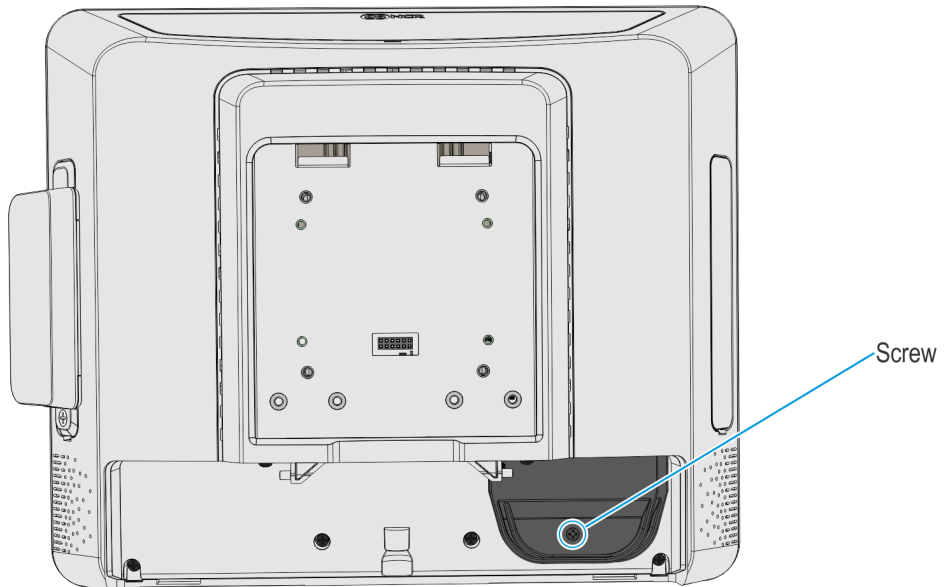
71323

7. Install the Solid-State Cover and SSD.



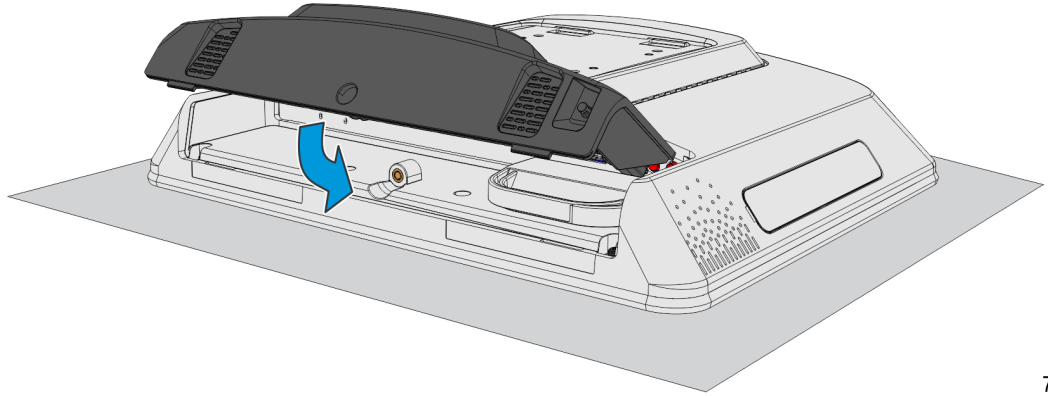
70546

8. Secure with screw (1).



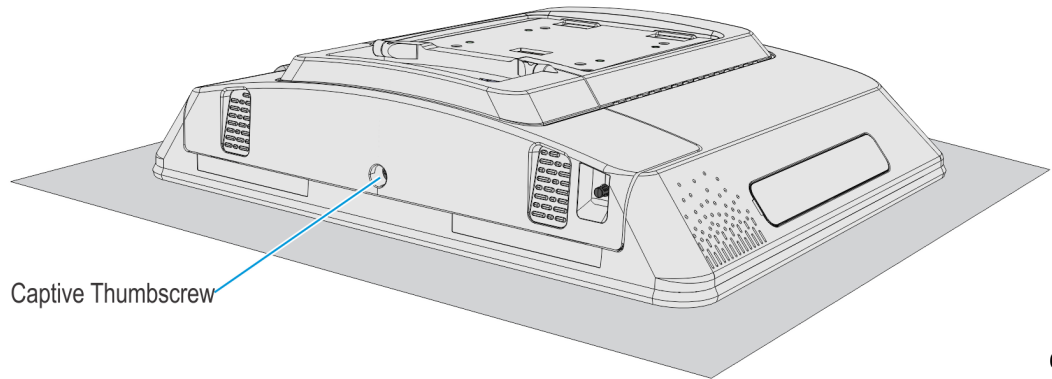
66094

9. Hook and snap back the Cable Cover.



70547

10. Tighten the thumbscrew to secure the cover.



66091