

KIT INSTRUCTIONS

USB + Dual RJ12 Expansion

Release 1.0



7761-K182
Issue A



The product described in this document is a licensed product of NCR Corporation.

NCR is a registered trademark of NCR Corporation. Product names mentioned in this publication may be trademarks or registered trademarks of their respective companies and are hereby acknowledged.

The terms HDMI and HDMI High-Definition Multimedia Interface, and the HDMI Logo are trademarks or registered trademarks of HDMI Licensing LLC in the United States and other countries.

Where creation of derivative works, modifications or copies of this NCR copyrighted documentation is permitted under the terms and conditions of an agreement you have with NCR, NCR's copyright notice must be included.

It is the policy of NCR Corporation (NCR) to improve products as new technology, components, software, and firmware become available. NCR, therefore, reserves the right to change specifications without prior notice.

All features, functions, and operations described herein may not be marketed by NCR in all parts of the world. In some instances, photographs are of equipment prototypes. Therefore, before using this document, consult with your NCR representative or NCR office for information that is applicable and current.

To maintain the quality of our publications, we need your comments on the accuracy, clarity, organization, and value of this book. Please use the link below to send your comments.

Email: FD230036@ncr.com

Copyright © 2016–2017

By NCR Corporation

Duluth, GA U.S.A.

All Rights Reserved

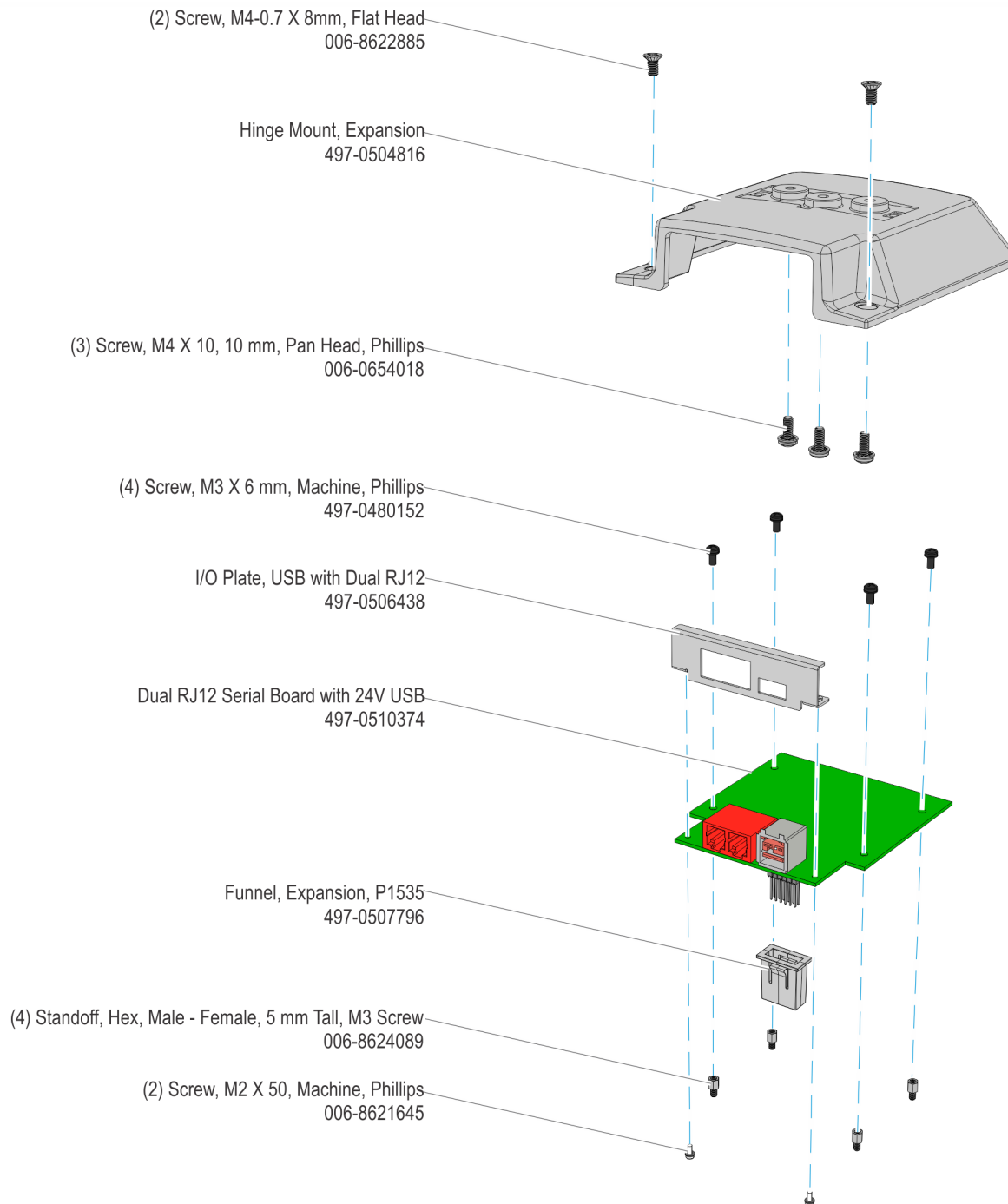
Revision Record

Issue	Date	Remarks
A	Aug 2016	First Issue

USB + Dual RJ12 Expansion

Introduction

This kit provides the components to add a USB + Dual RJ12 Expansion.

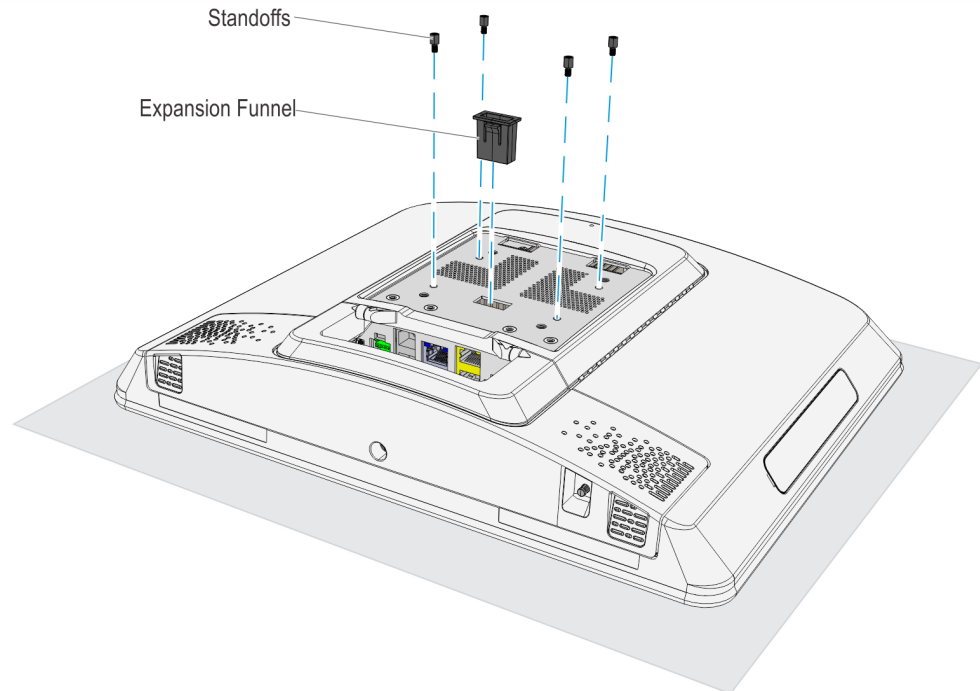


Installation Procedure

1. Install the Expansion Funnel and Standoffs (4) into the rear of the Ebox.

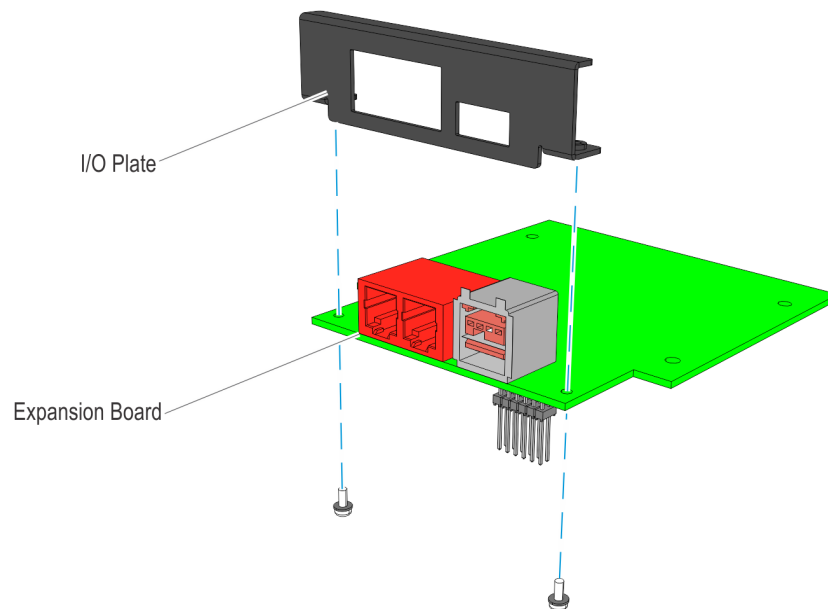


Caution: Always use a soft material (cloth, foam) to protect the display screen when placing the terminal face down.



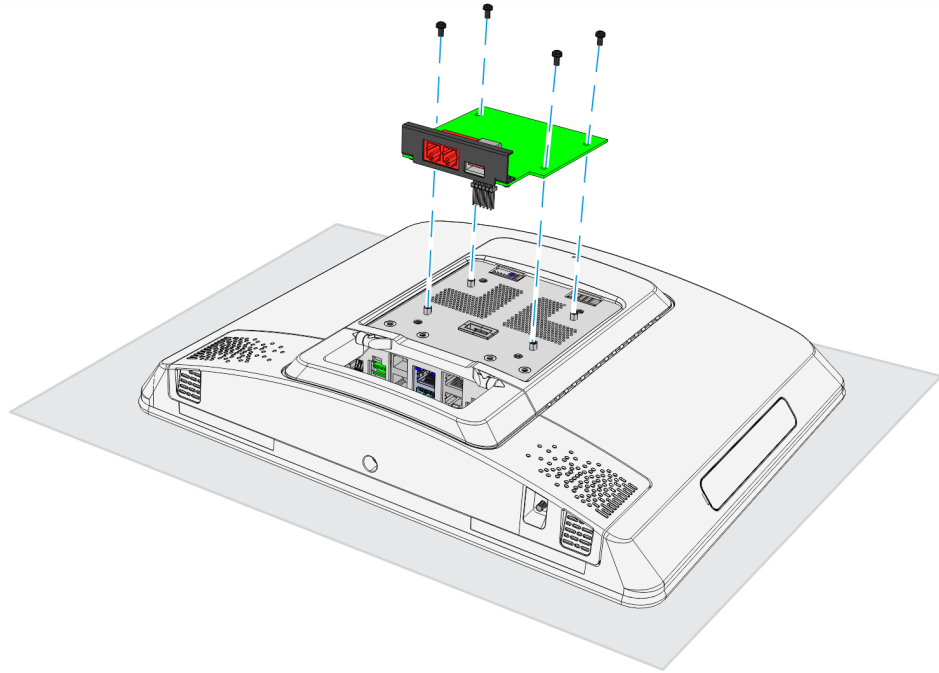
61710

2. Install the I/O Plate to the Expansion Board and secure with screws (2).



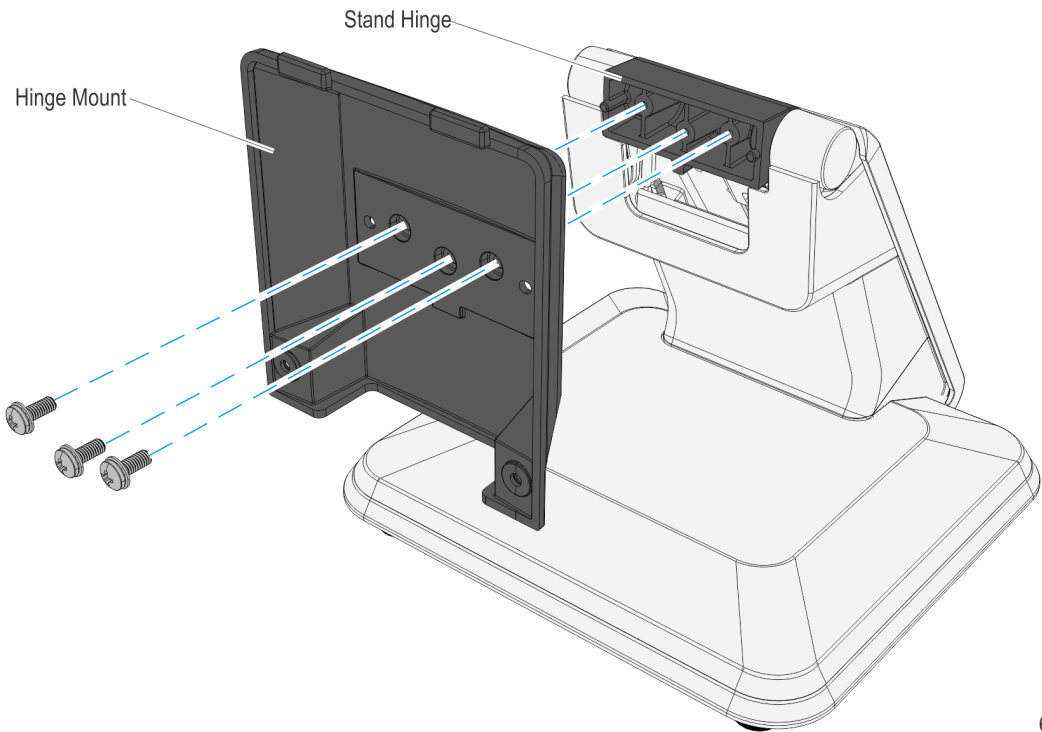
61720

3. Install the Expansion Board assembly into the funnel and secure to standoffs with screws (4).



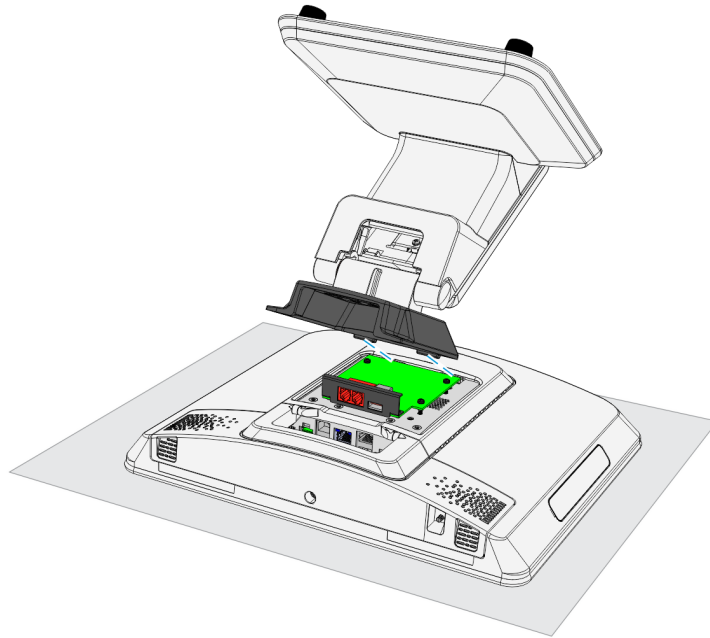
61712

4. Secure the Hinge Mount to the hinge of the stand and secure with screws (3).



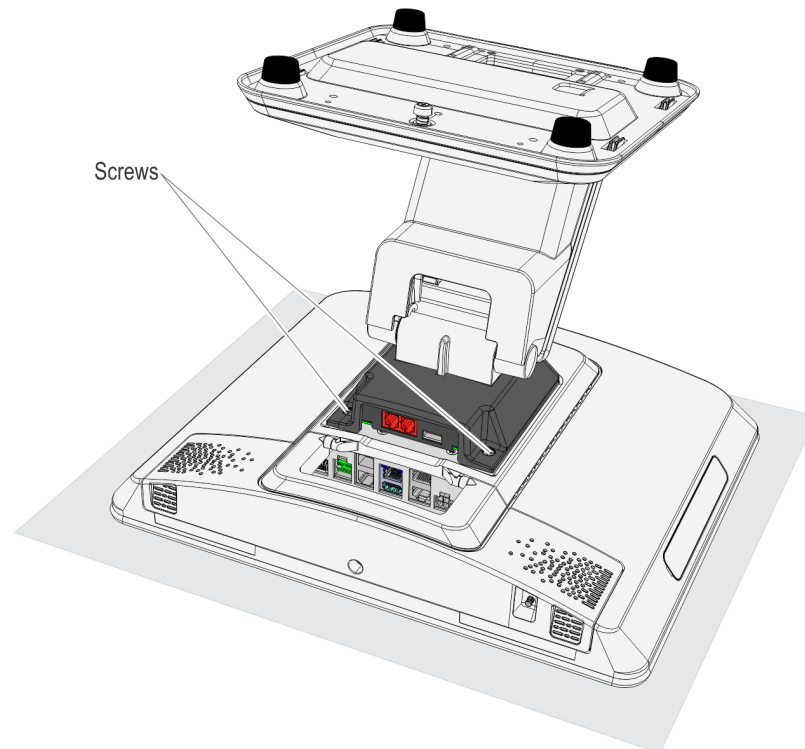
61714

5. Install the Hinge Mount over the Expansion Board assembly.



61721

6. Secure to rear housing with screws (2).



61722