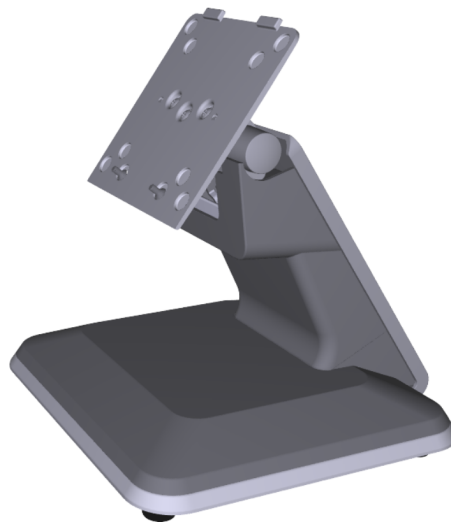


KIT INSTRUCTIONS

P1535 POS (7761) Stand

Release 1.0



7761-K170
Issue A



The product described in this document is a licensed product of NCR Corporation.

NCR is a registered trademark of NCR Corporation. Product names mentioned in this publication may be trademarks or registered trademarks of their respective companies and are hereby acknowledged.

The terms HDMI and HDMI High-Definition Multimedia Interface, and the HDMI Logo are trademarks or registered trademarks of HDMI Licensing LLC in the United States and other countries.

Where creation of derivative works, modifications or copies of this NCR copyrighted documentation is permitted under the terms and conditions of an agreement you have with NCR, NCR's copyright notice must be included.

It is the policy of NCR Corporation (NCR) to improve products as new technology, components, software, and firmware become available. NCR, therefore, reserves the right to change specifications without prior notice.

All features, functions, and operations described herein may not be marketed by NCR in all parts of the world. In some instances, photographs are of equipment prototypes. Therefore, before using this document, consult with your NCR representative or NCR office for information that is applicable and current.

To maintain the quality of our publications, we need your comments on the accuracy, clarity, organization, and value of this book. Please use the link below to send your comments.

Email: FD230036@ncr.com

Copyright © 2017
By NCR Corporation
Duluth, GA U.S.A.
All Rights Reserved

Revision Record

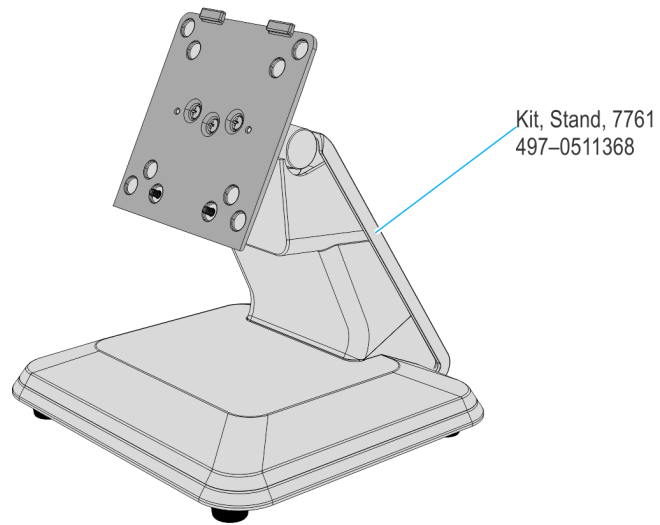
Issue	Date	Remarks
A	Jan 2016	First Issue

P1535 POS Stand

Introduction

This kit provides a P1535 POS (7761) Table Top Stand.

Kit Content

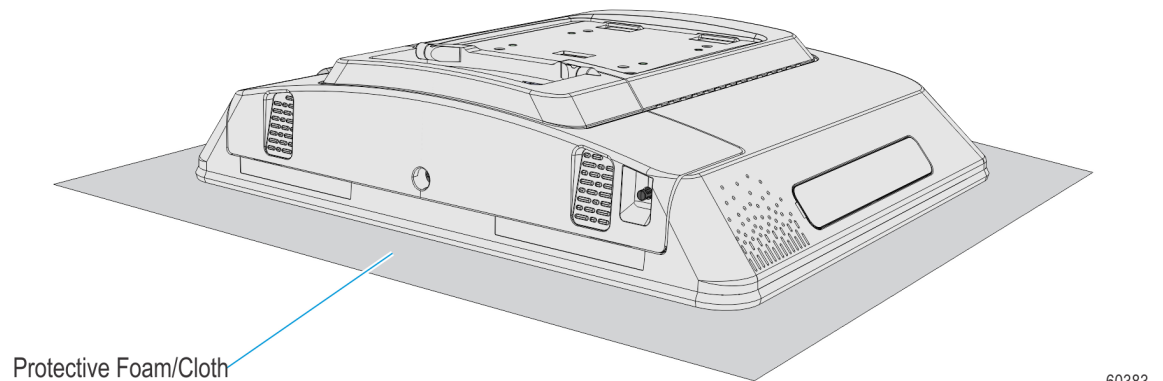


Installation Procedure

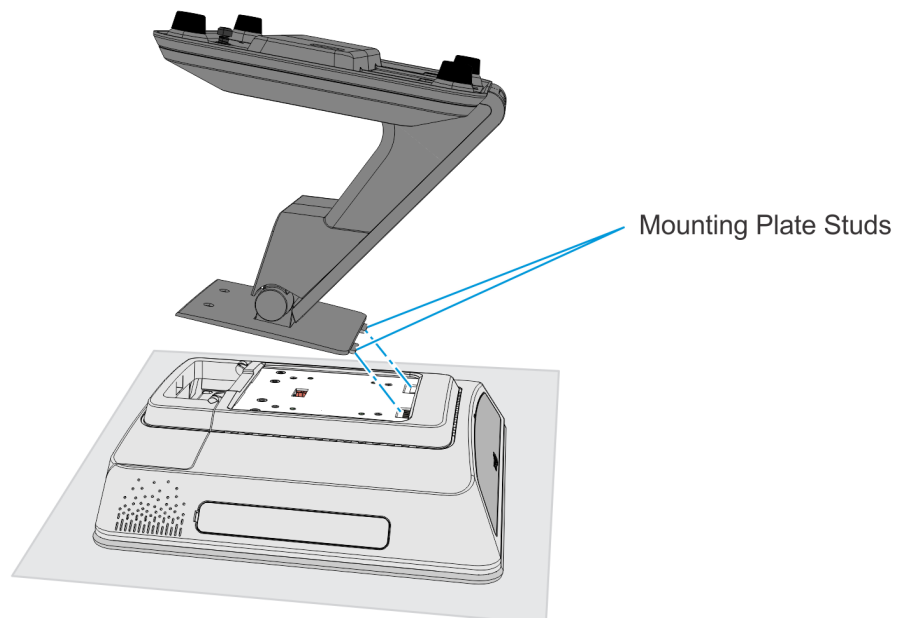
1. Lay the terminal face down on a flat surface.



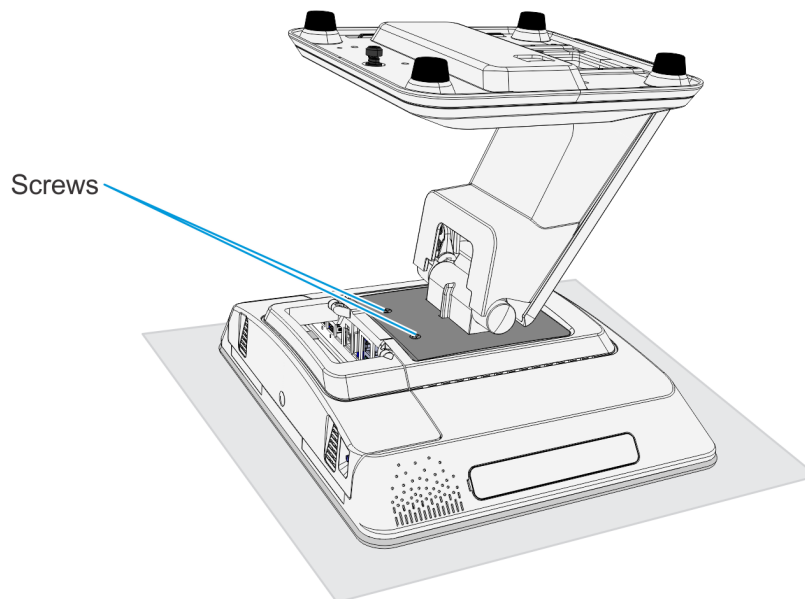
Caution: Always use a soft material (cloth, foam) to protect the display screen when placing the terminal face down.



2. Insert the Mounting Plate Tabs (2) into the openings in the Rear Cover at a slight angle as shown.



3. Rotate the stand flush into the Rear Cover and secure it with the mounting screws (2).



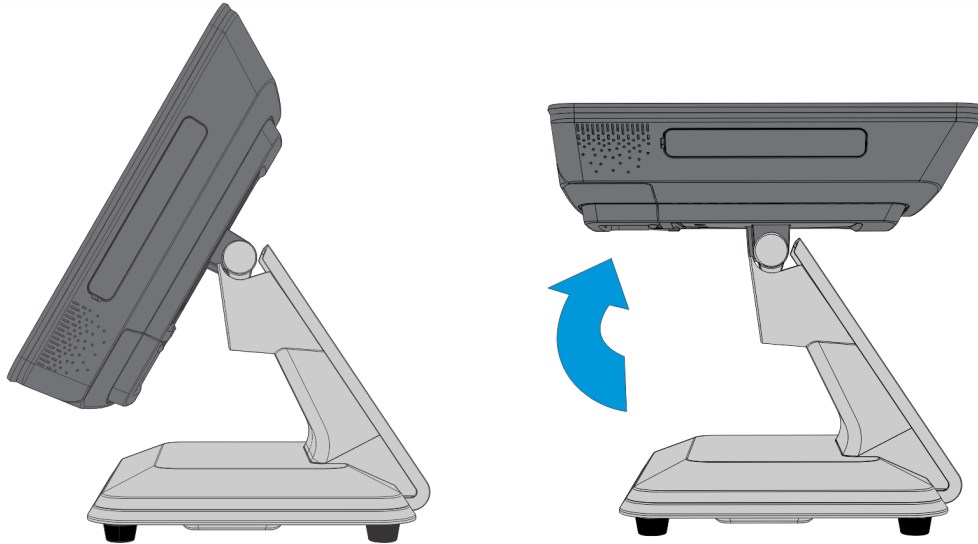
Installing the Power Supply

The P1535 terminal receives power from an external 19 V or 24 V power supply.

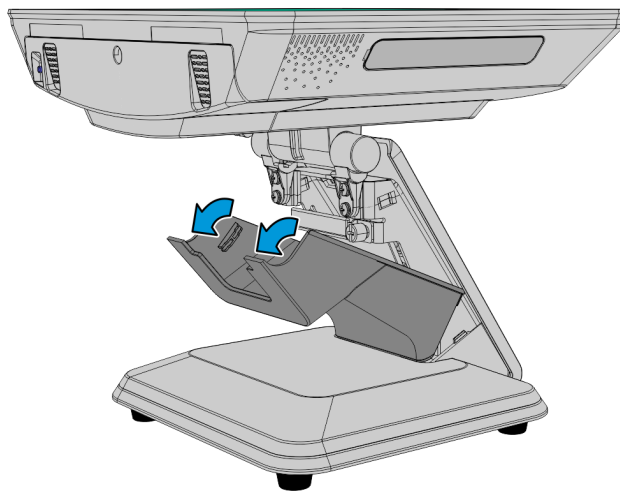


Caution: The P1535 terminal requires the NCR 19 V or 24 V power supply that is shipped with the terminal. Use of other power supply may cause damage to the unit. Do not connect or disconnect the 19 V or 24 V Power Cable from the terminal with the AC Power Cord still connected to an AC outlet.

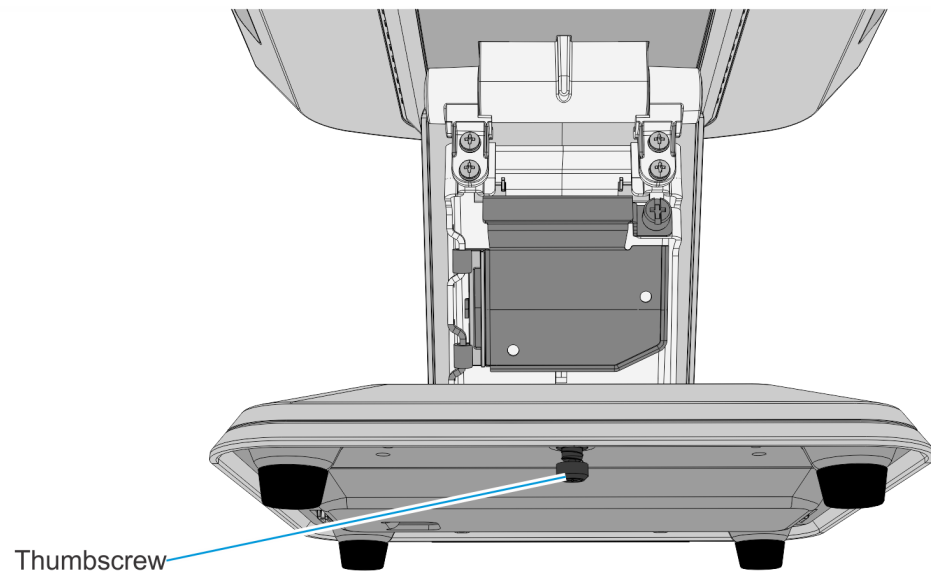
1. Pivot the display toward the back.



2. Remove the Upper Stand Cover by pivoting it away from the stand. The cover has a simple snap fit connection at the top.

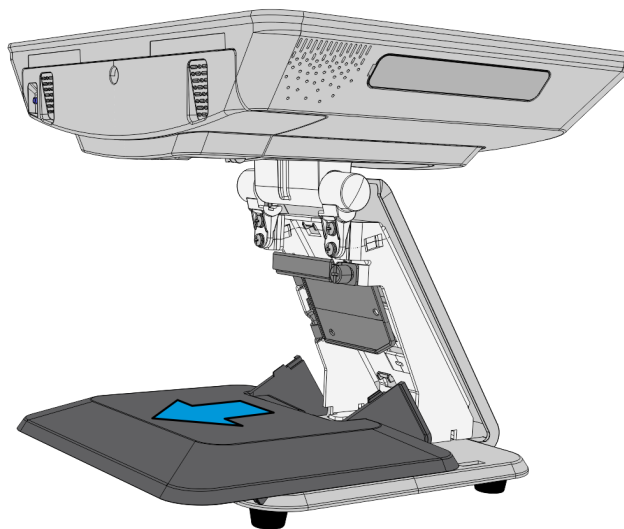


3. Loosen the Thumbscrew that secures the Base Cover.



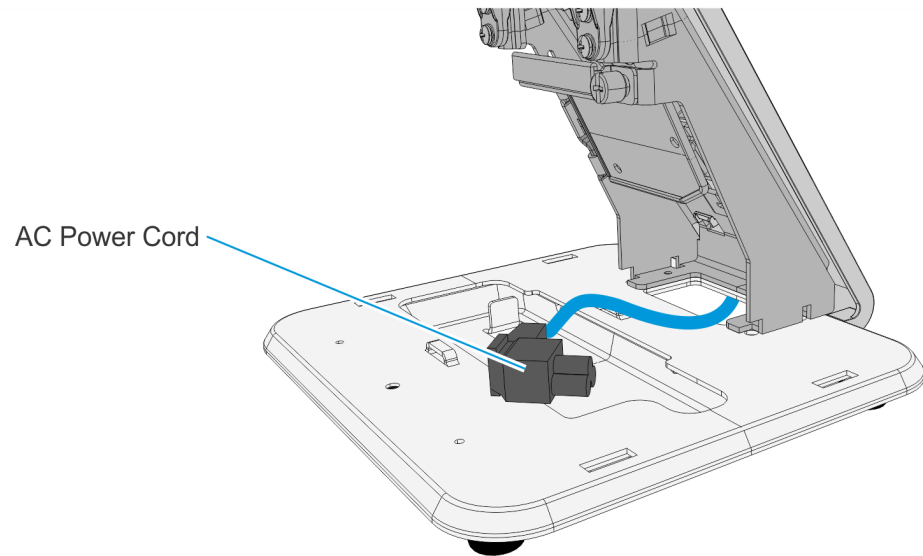
61037

4. Slide the Base Cover toward the front slightly to disengage it from the Base.



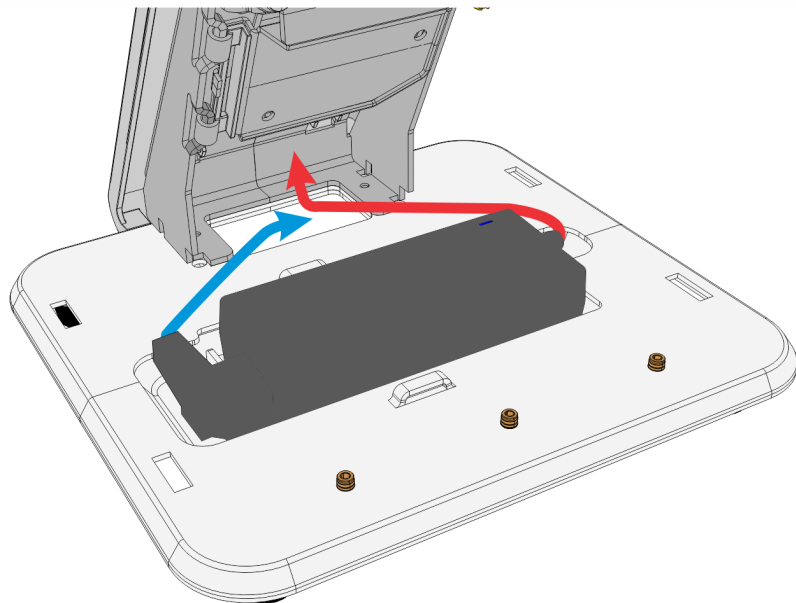
61038

5. Route the AC Power Cord up through the base of the stand.



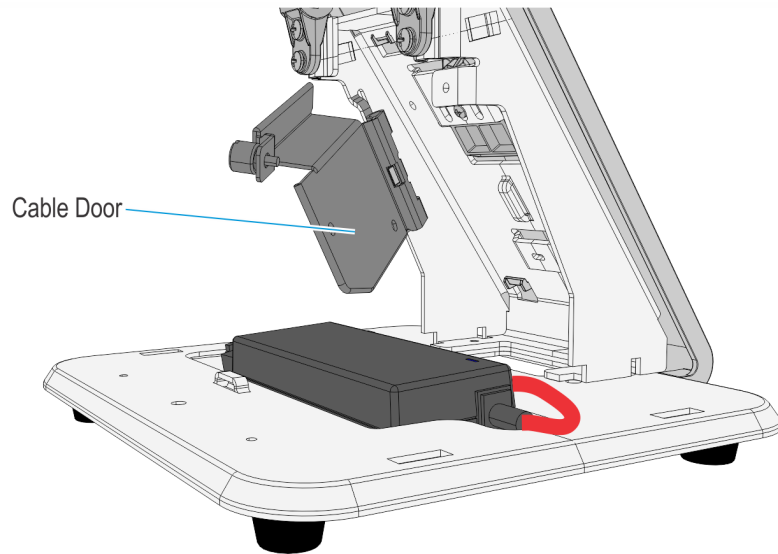
61039

6. Attach the Power Cord to the Power Brick.
7. Install the Power Brick in the Base.



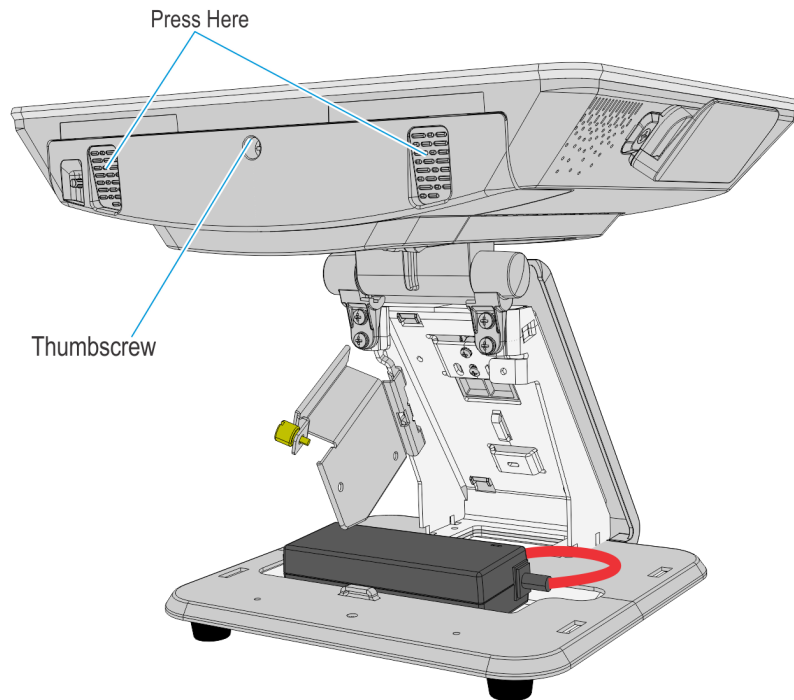
61041

8. Loosen the thumbscrew to open the Cable Door.



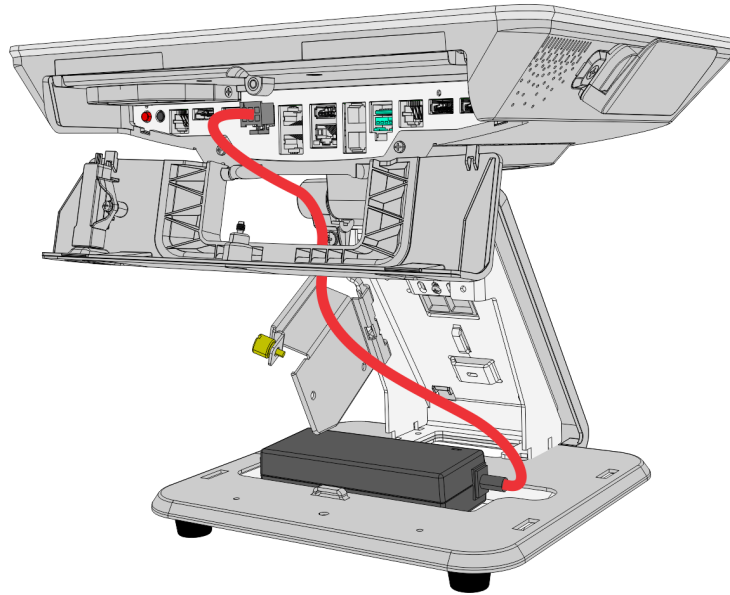
61042

9. Loosen the screw on the Terminal Cable Cover. To open, press the indentations on the Cable Cover to unlatch the cover then pivot to open.



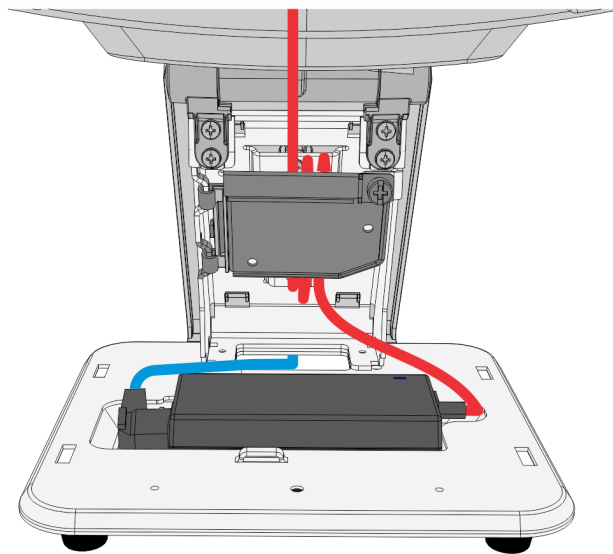
61040

10. Route the power cable up through the stand and connect the power supply cable to the **Power In** connector.



71352

11. Secure the excess power cables with a cable tie and place the cables behind the Cable Door.
12. Close the Cable Door and tighten the thumbscrew to secure the door.

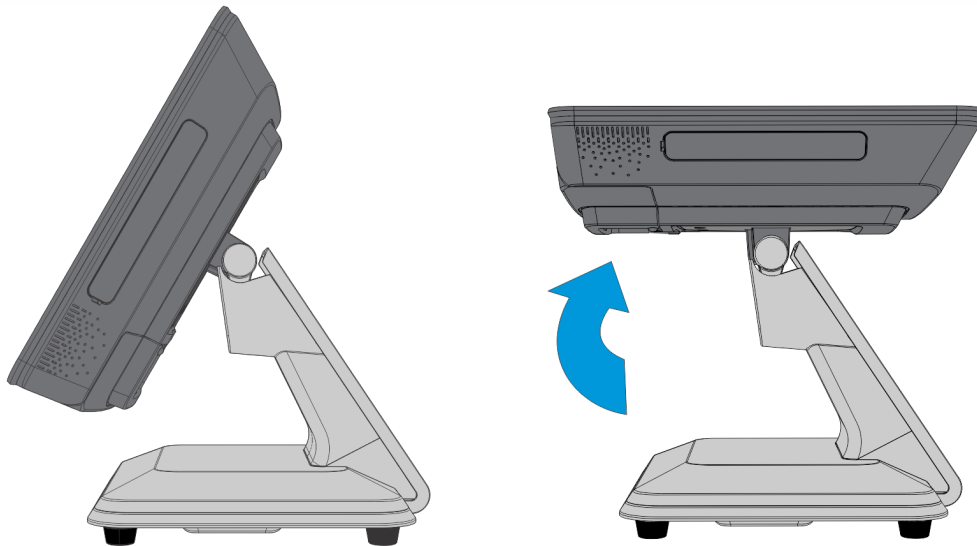


61043

13. Reinstall the Base Cover and tighten thumbscrew to secure cover.
14. Connect the AC Power cord to an AC outlet.

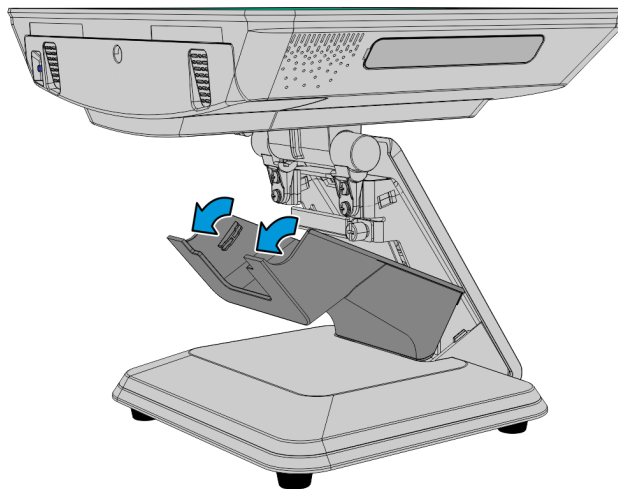
Cable Routing

1. Pivot the display toward the back.



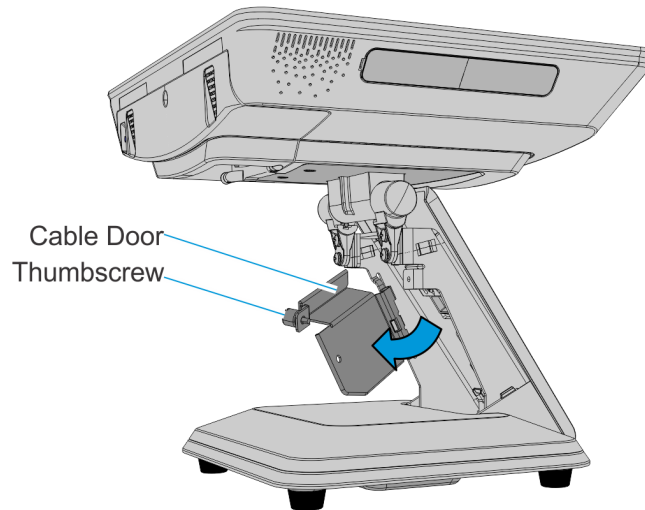
61031

2. Remove the Upper Stand Cover by pivoting it away from the stand. The cover has a simple snap fit connection at the top.



61032

3. Open the Cable Door (Thumbscrew).

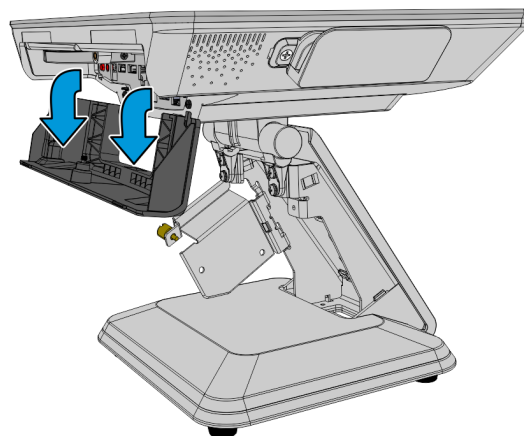
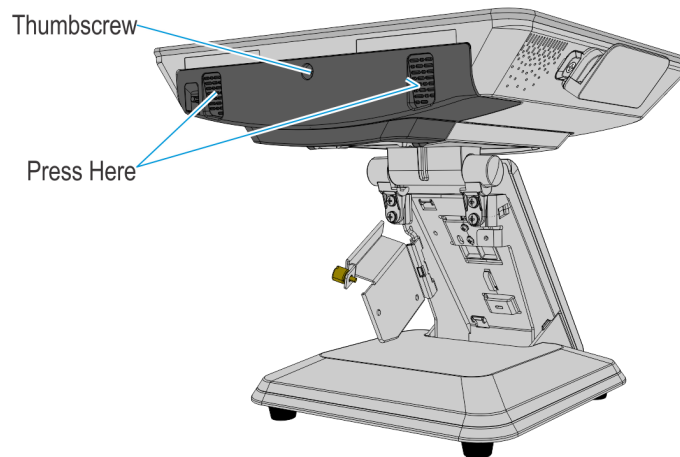


61033

4. Loosen the screw on the Terminal Cable Cover. To open, press down on the indentations in the Cable Cover to unlatch the cover and then pivot the cover open.

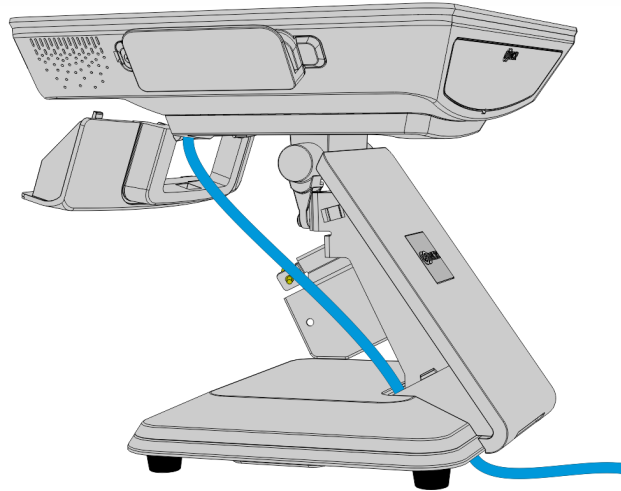


Note: Ensure that the screw is disengaged from the threads.



61030

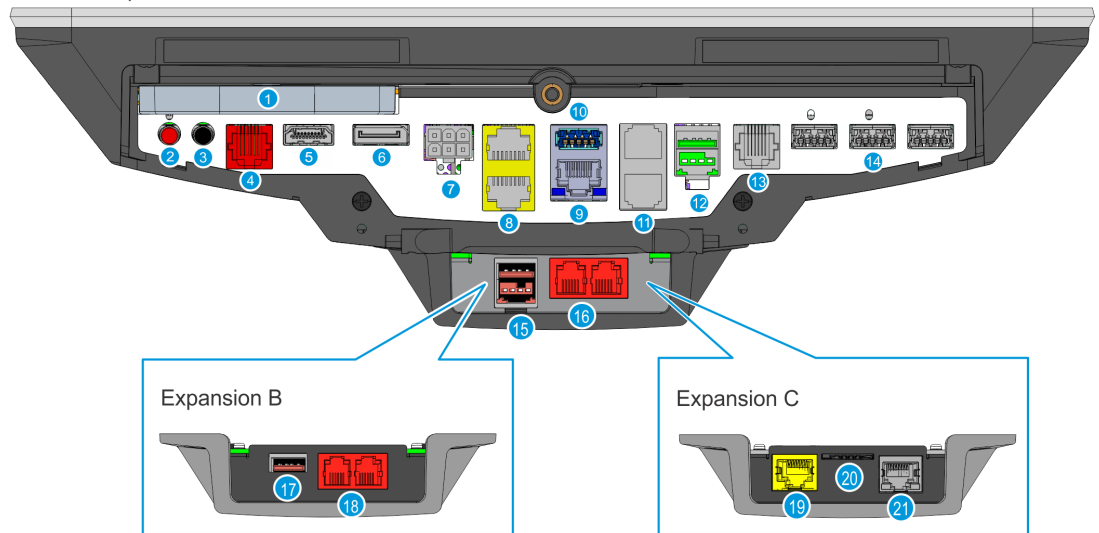
- Route the cables up through the stand and out of the Terminal Cable Cover.



61034

- Connect the peripheral cables to the I/O Panel.

POS with Expansion A



- | | | |
|----------------------|----------------------------|-----------------------------------|
| 1 – Removable SSD | 8 – RJ45 Serial Ports (2) | 15 – 24V Powered USB |
| 2 – Power Button | 9 – Ethernet Port | 16 – RJ12 Serial Ports (2) |
| 3 – Recovery Button | 10 – USB 3.0 | 17 – 5V USB |
| 4 – RJ12 Cash Drawer | 11 – RJ11 Serial Ports (2) | 18 – RJ12 Serial Ports (2) |
| 5 – HDMI | 12 – 12V Powered USB | 19 – RJ45 Serial Port |
| 6 – Display Port | 13 – RJ12 Serial Port | 20 – SIM Card Reader* |
| 7 – Power In | 14 – USB 3.0 (3) | 21 – RJ45 Power Over Ethernet PSE |

61029



Note: SIM cards must be inserted while the terminal is powered off.

- Install the Terminal Cable Cover and tighten thumbscrew to secure cover.
- Close the Cable Door and tighten thumbscrew to secure cable door.
- Install the Upper Stand Cover.