

# KIT INSTRUCTIONS

90W/150W Power Supply

Release 1.0



7761-K120/7743-K331  
Issue A



The product described in this document is a licensed product of NCR Corporation.

NCR is a registered trademark of NCR Corporation. Product names mentioned in this publication may be trademarks or registered trademarks of their respective companies and are hereby acknowledged.

The terms HDMI and HDMI High-Definition Multimedia Interface, and the HDMI Logo are trademarks or registered trademarks of HDMI Licensing LLC in the United States and other countries.

Where creation of derivative works, modifications or copies of this NCR copyrighted documentation is permitted under the terms and conditions of an agreement you have with NCR, NCR's copyright notice must be included.

It is the policy of NCR Corporation (NCR) to improve products as new technology, components, software, and firmware become available. NCR, therefore, reserves the right to change specifications without prior notice.

All features, functions, and operations described herein may not be marketed by NCR in all parts of the world. In some instances, photographs are of equipment prototypes. Therefore, before using this document, consult with your NCR representative or NCR office for information that is applicable and current.

To maintain the quality of our publications, we need your comments on the accuracy, clarity, organization, and value of this book. Please use the link below to send your comments.

*Email:* [FD230036@ncr.com](mailto:FD230036@ncr.com)

Copyright © 2017  
By NCR Corporation  
Duluth, GA U.S.A.  
All Rights Reserved

## Revision Record

Issue	Date	Remarks
A	Apr 2017	First Issue

---

# 90W/150W Power Supply

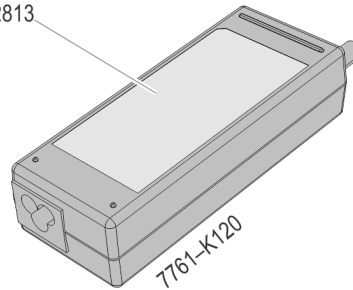
---

## Introduction

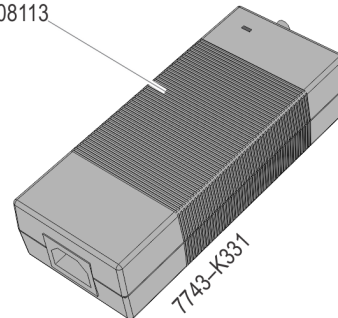
This kit provides a 90W, 19V or 150W, 24V Power Supply.

## Kit Content

Power Supply, 90W, 19V, 6 PIN DC  
with 1200 mm Length, C6 AC Input, DOE IV  
497-0512813



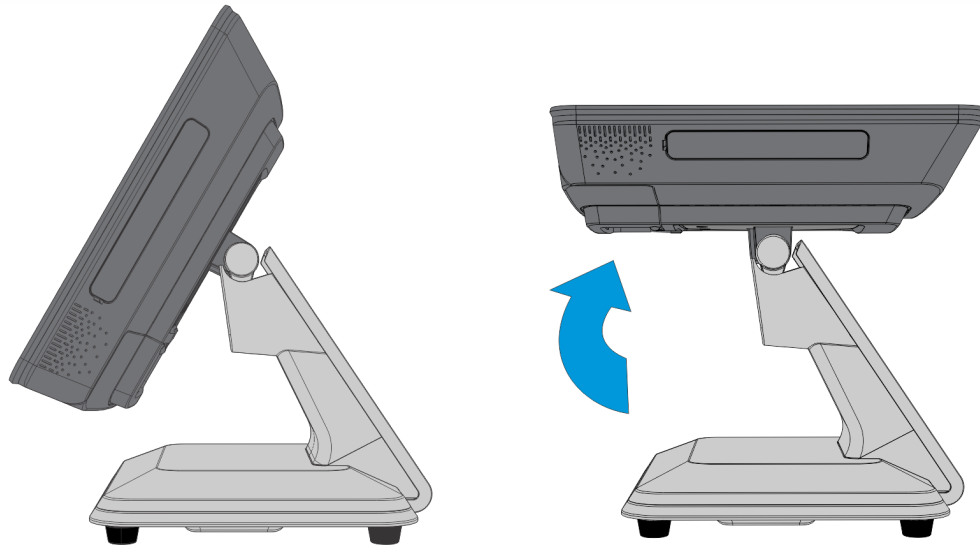
Power Supply, 150W, 24V, 6 PIN DC,  
C13 AC Input, ErP 2017  
497-0508113



# Installation Procedure

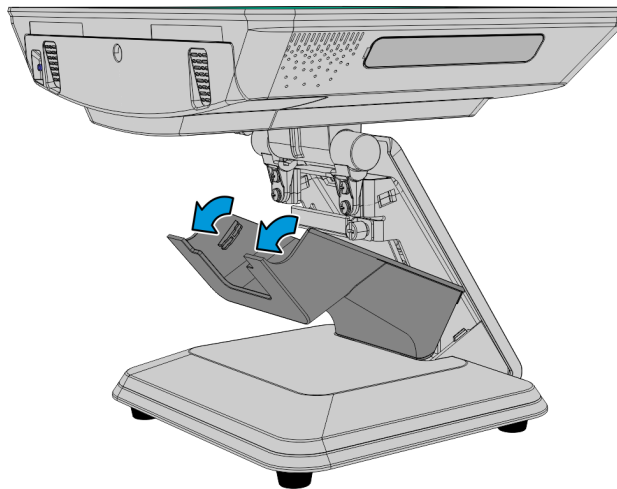
## P-Series Stand

1. Pivot the display toward the back.



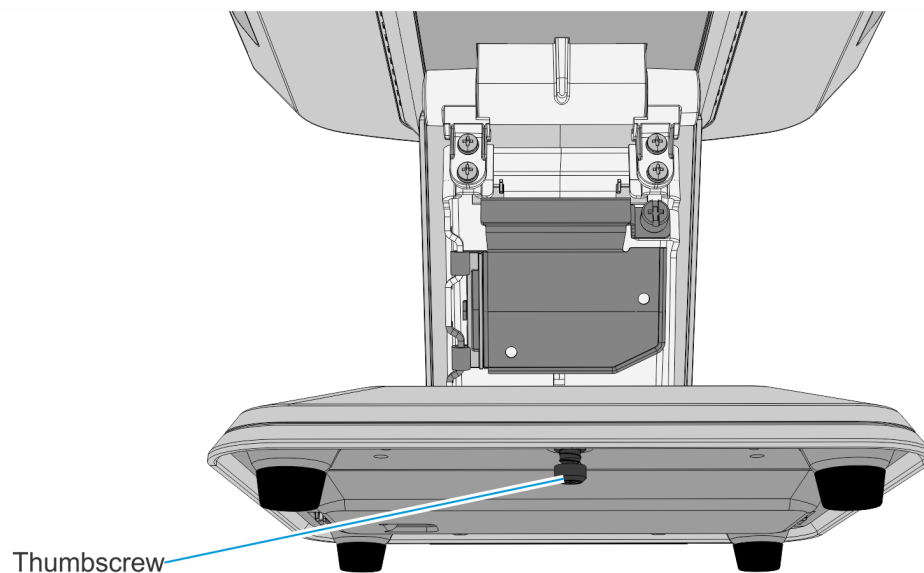
61031

2. Remove the Upper Stand Cover by pivoting it away from the stand. The cover has a simple snap fit connection at the top.



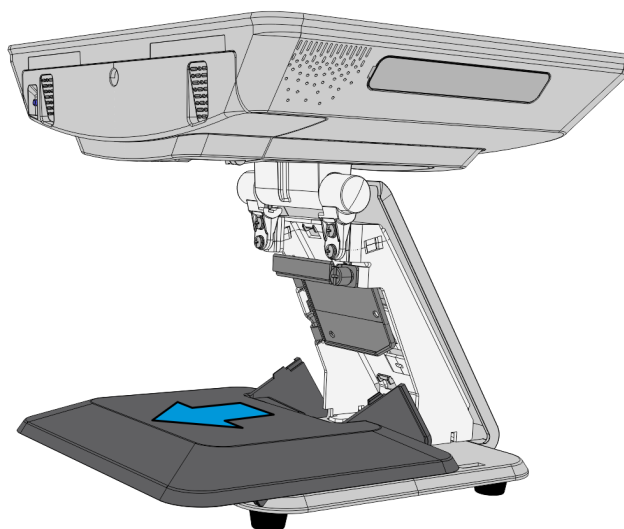
61032

3. Loosen the Thumbscrew that secures the Base Cover.



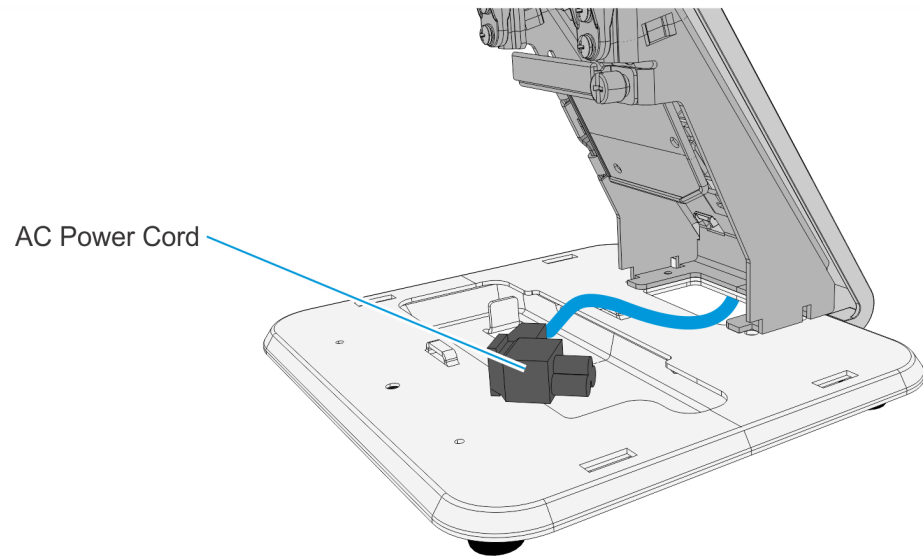
61037

4. Slide the Base Cover toward the front slightly to disengage it from the Base.



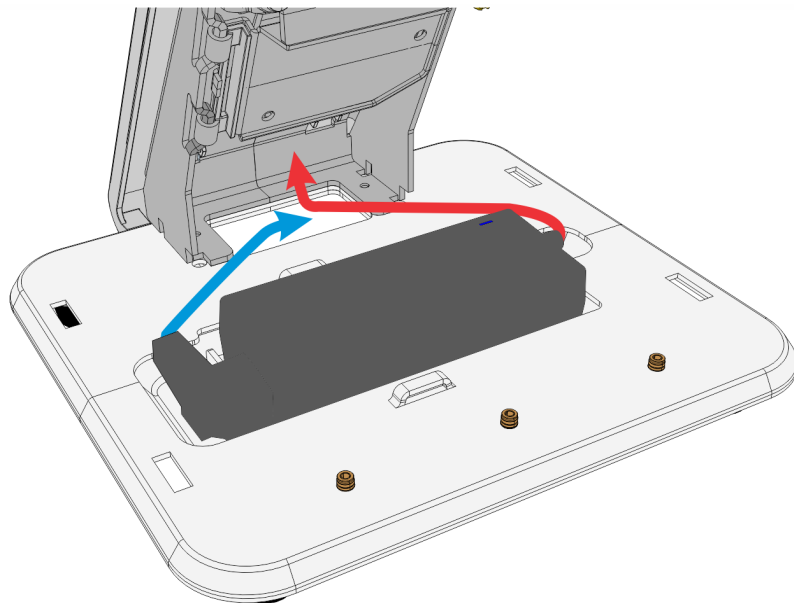
61038

5. Route the AC Power Cord up through the base of the stand.



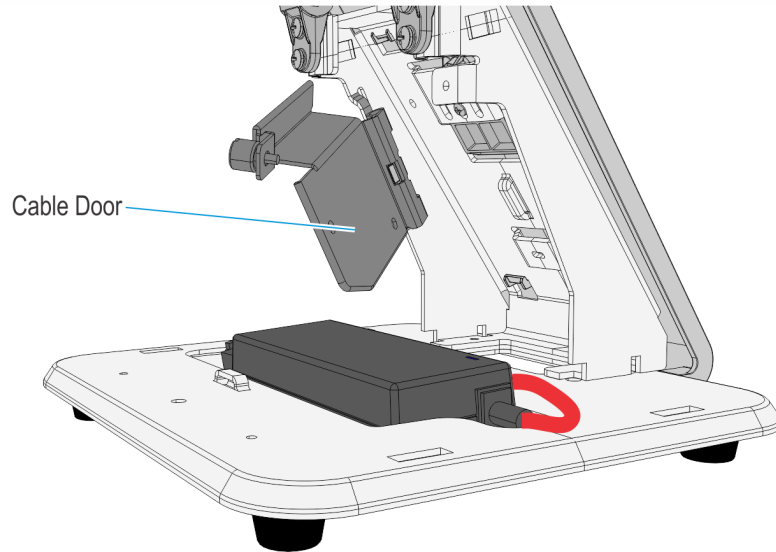
61039

6. Attach the Power Cord to the Power Brick.
7. Install the Power Brick in the Base.



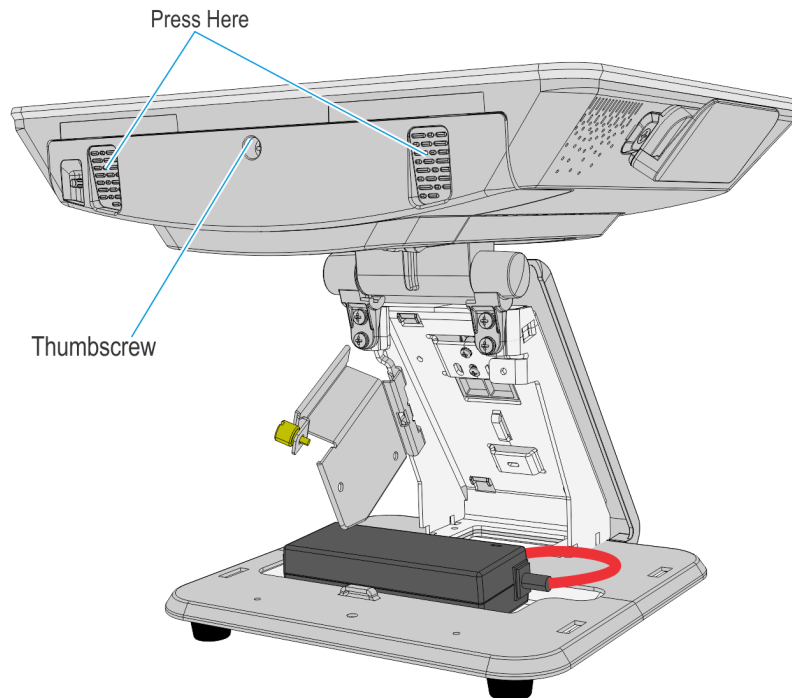
61041

8. Loosen the thumbscrew to open the Cable Door.



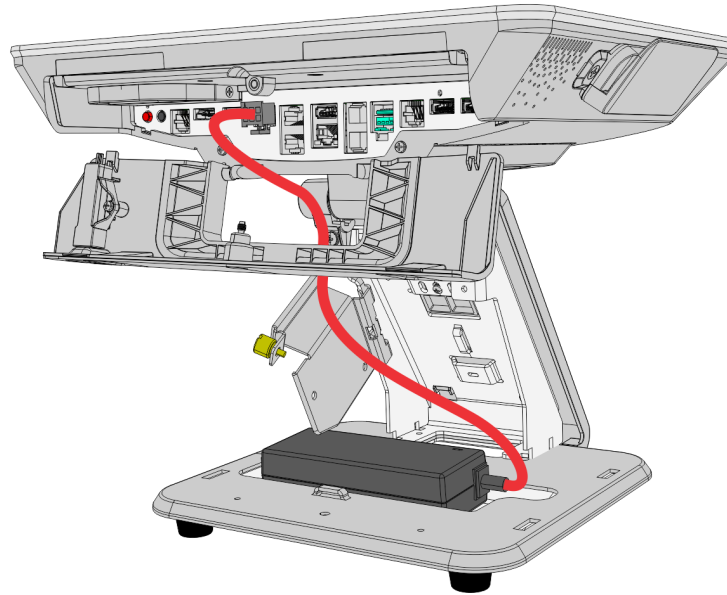
61042

9. Loosen the screw on the Terminal Cable Cover. To open, press the indentations on the Cable Cover to unlatch the cover then pivot to open.



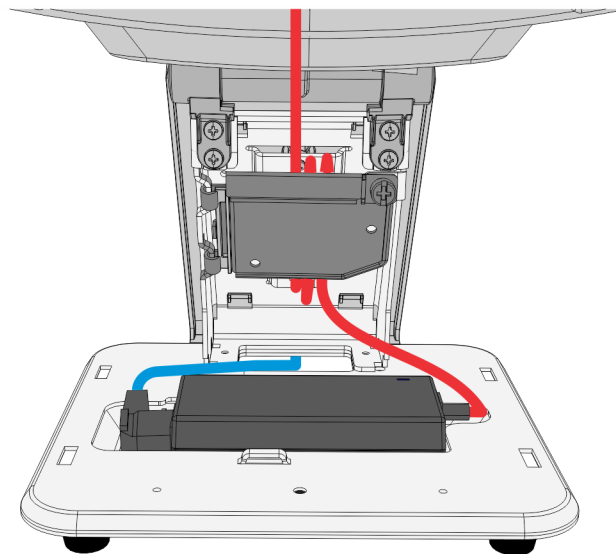
61040

10. Route the power cable up through the stand and connect the power supply cable to the **Power In** connector.



71352

11. Secure the excess power cables with a cable tie and place the cables behind the Cable Door.
12. Close the Cable Door and tighten the thumbscrew to secure the door.



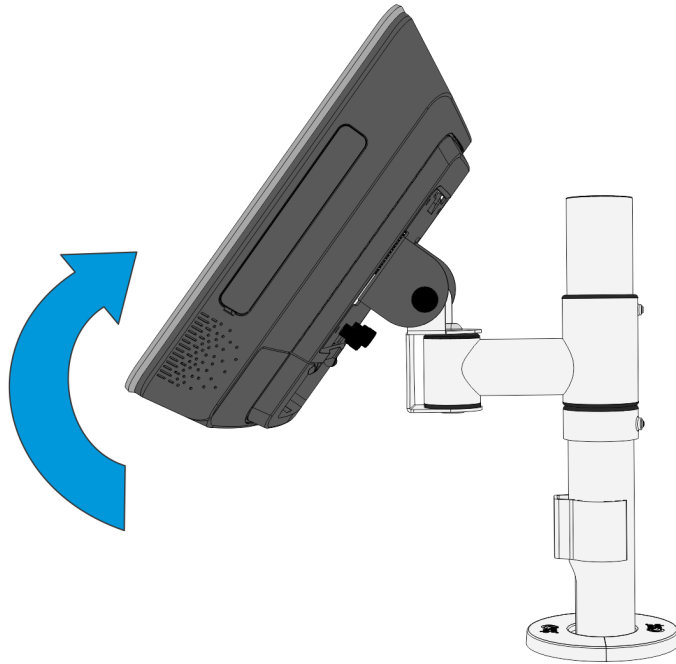
61043

13. Reinstall the Base Cover and tighten thumbscrew to secure cover.
14. Connect the AC Power cord to an AC outlet.



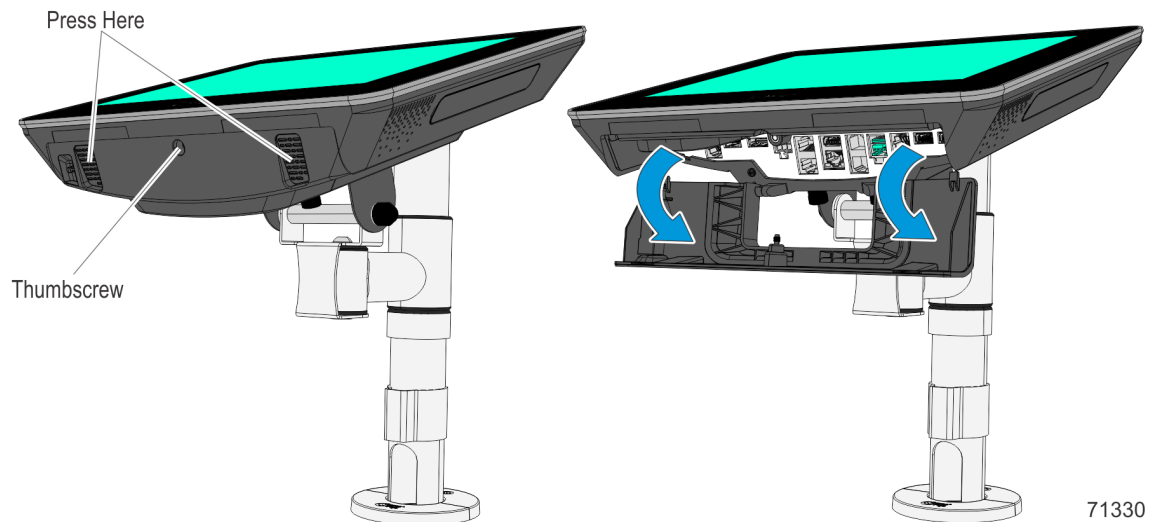
## Pole Mount

1. Pivot the display toward the back.



71329

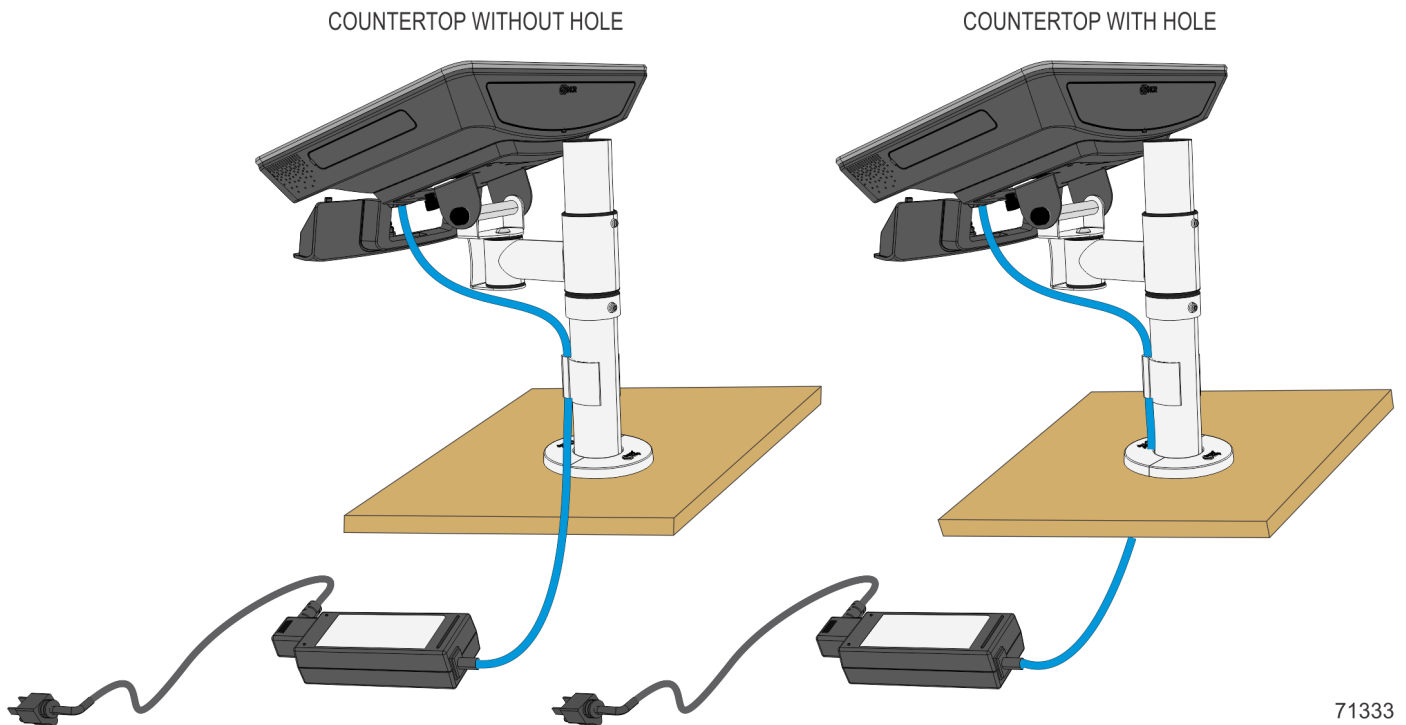
2. Loosen the screw on the Terminal Cable Cover. To open, press the indentations on the Cable Cover to unlatch the cover then pivot to open.



71330

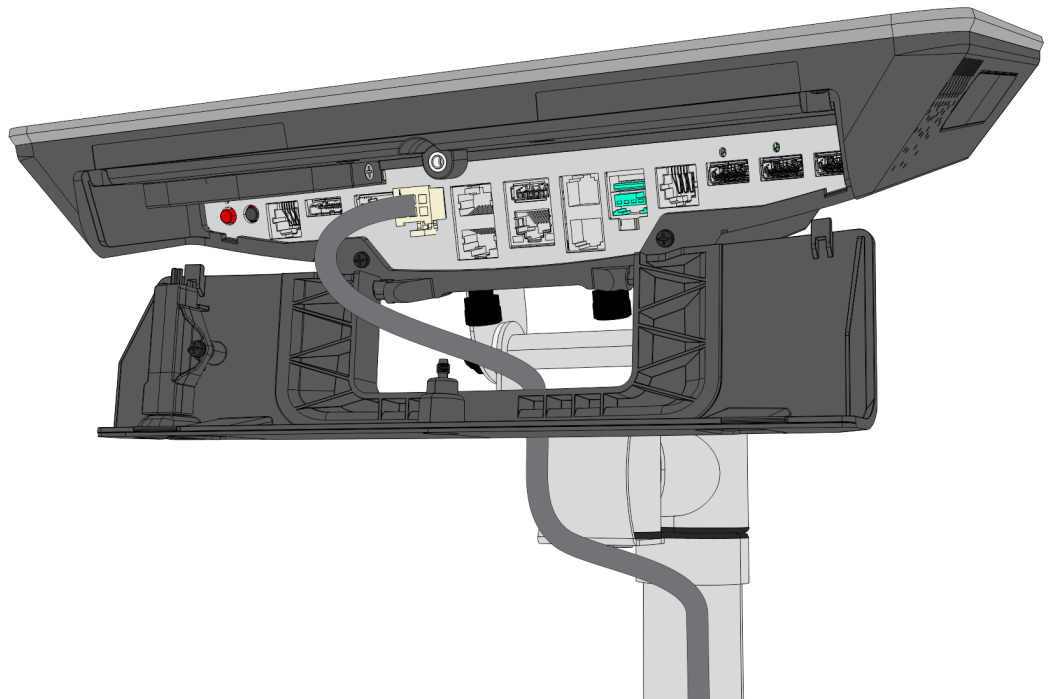
3. Attach the Power Cord to the power supply.

4. Route the power supply cable up through the pole mount and to the display.



71333

5. Connect the power supply cable to the **Power In** connector.



71334

6. Close the Cable Cover and tighten thumbscrew to secure cover.
7. Connect the AC Power cord to an AC outlet.