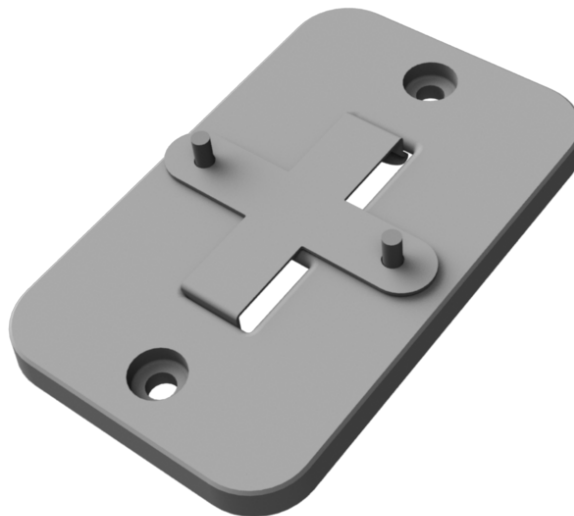


# KIT INSTRUCTIONS

## External 2in1 SignIn Device and Biometrics Mount

Release 1.0



7761-K100  
Issue A



The product described in this document is a licensed product of NCR Corporation.

NCR is a registered trademark of NCR Corporation. Product names mentioned in this publication may be trademarks or registered trademarks of their respective companies and are hereby acknowledged.

The terms HDMI and HDMI High-Definition Multimedia Interface, and the HDMI Logo are trademarks or registered trademarks of HDMI Licensing LLC in the United States and other countries.

Where creation of derivative works, modifications or copies of this NCR copyrighted documentation is permitted under the terms and conditions of an agreement you have with NCR, NCR's copyright notice must be included.

It is the policy of NCR Corporation (NCR) to improve products as new technology, components, software, and firmware become available. NCR, therefore, reserves the right to change specifications without prior notice.

All features, functions, and operations described herein may not be marketed by NCR in all parts of the world. In some instances, photographs are of equipment prototypes. Therefore, before using this document, consult with your NCR representative or NCR office for information that is applicable and current.

To maintain the quality of our publications, we need your comments on the accuracy, clarity, organization, and value of this book. Please use the link below to send your comments.

*Email:* [FD230036@ncr.com](mailto:FD230036@ncr.com)

Copyright © 2016  
By NCR Corporation  
Duluth, GA U.S.A.  
All Rights Reserved

## Revision Record

Issue	Date	Remarks
A	Oct 2016	First Issue

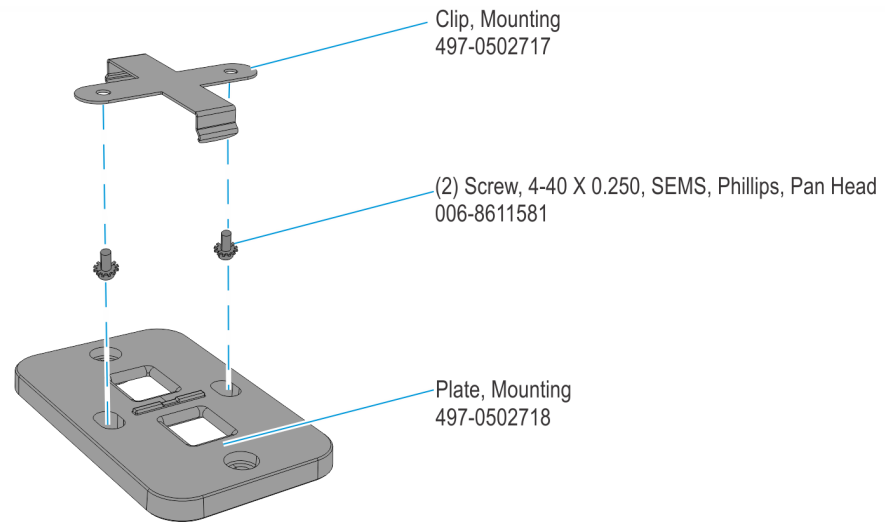
---

# External 2in1 SignIn Device and Biometrics Mount

---

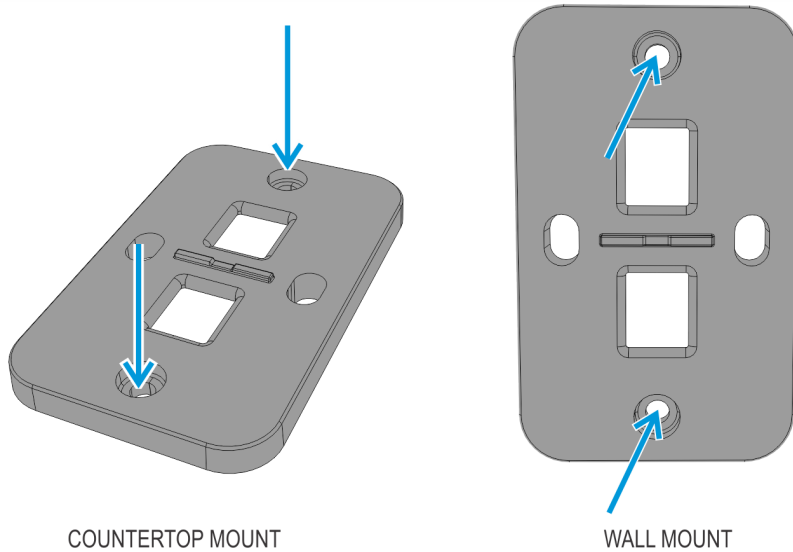
## Introduction

This kit provides the mounting kit to install an external 2in1 signin device or biometrics.



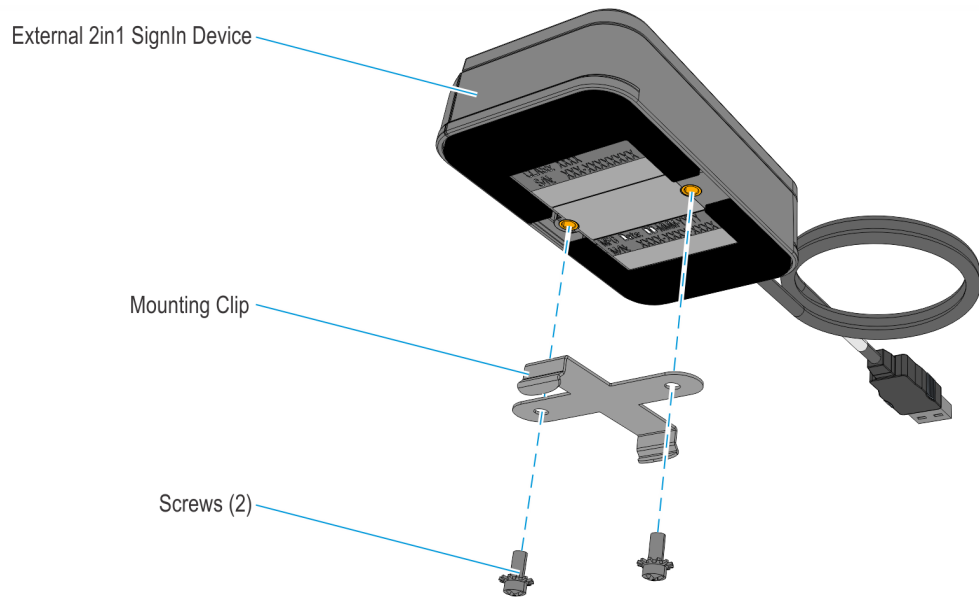
# Installation Procedure

1. Secure the mounting plate to the wall or countertop with screws (2).



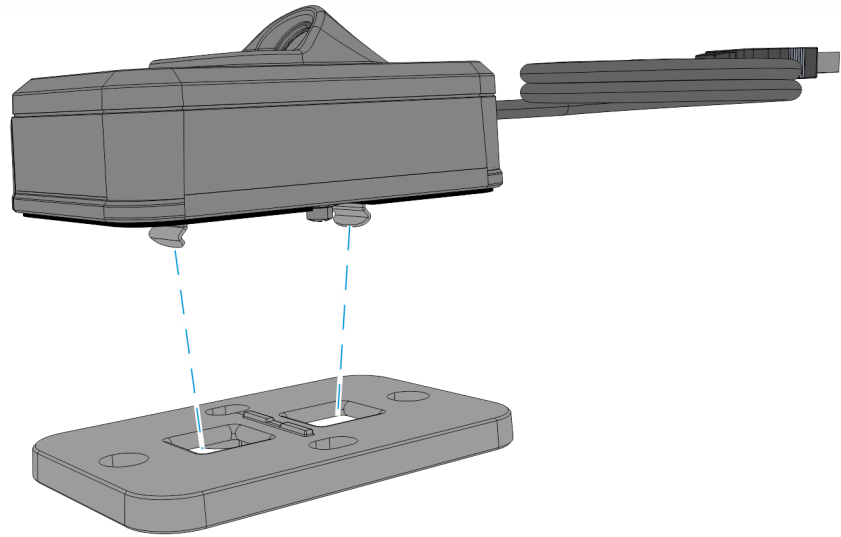
64079

2. Secure the External 2in1 SignIn Device or Biometrics to the mounting clip with screws (2).



64077

3. Snap the mounting clip to the plate to secure assembly.



64080

4. Connect the USB cable to the POS.