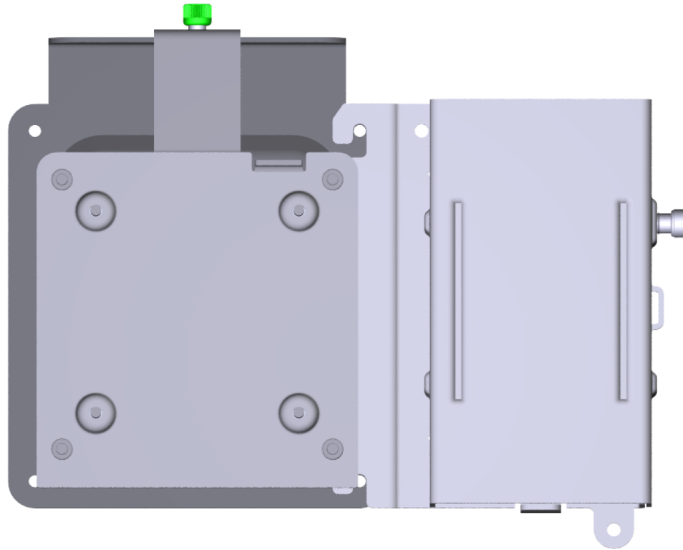


KIT INSTRUCTIONS

Wall Mount with No Expansion



7761-K003
Issue B



The product described in this document is a licensed product of NCR Corporation.

NCR is a registered trademark of NCR Corporation. Product names mentioned in this publication may be trademarks or registered trademarks of their respective companies and are hereby acknowledged.

The terms HDMI and HDMI High-Definition Multimedia Interface, and the HDMI Logo are trademarks or registered trademarks of HDMI Licensing LLC in the United States and other countries.

Where creation of derivative works, modifications or copies of this NCR copyrighted documentation is permitted under the terms and conditions of an agreement you have with NCR, NCR's copyright notice must be included.

It is the policy of NCR Corporation (NCR) to improve products as new technology, components, software, and firmware become available. NCR, therefore, reserves the right to change specifications without prior notice.

All features, functions, and operations described herein may not be marketed by NCR in all parts of the world. In some instances, photographs are of equipment prototypes. Therefore, before using this document, consult with your NCR representative or NCR office for information that is applicable and current.

To maintain the quality of our publications, we need your comments on the accuracy, clarity, organization, and value of this book. Please use the link below to send your comments.

Email: FD230036@ncr.com

Copyright © 2016–2017

By NCR Corporation

Duluth, GA U.S.A.

All Rights Reserved

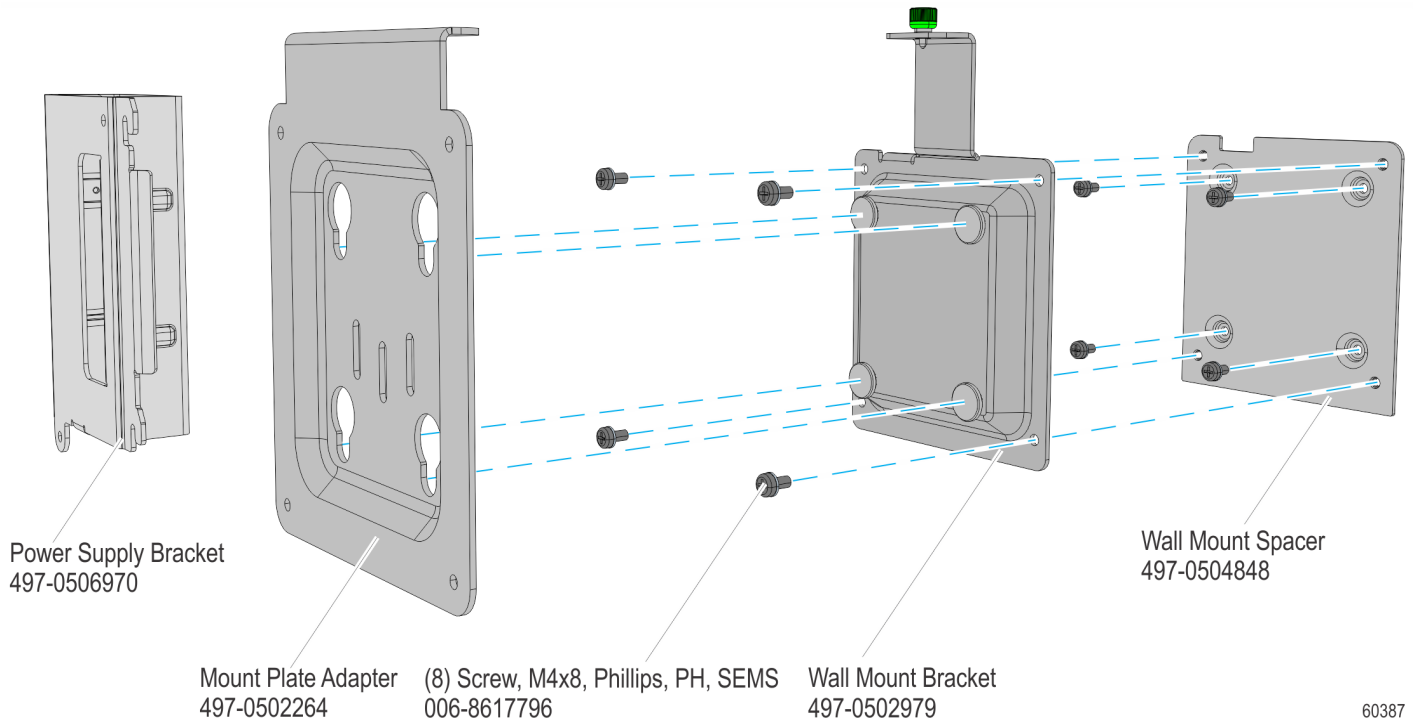
Revision Record

Issue	Date	Remarks
A	Jan 2016	First Issue
B	May 2017	Removed reference to VESA

Wall Mount with No Expansion

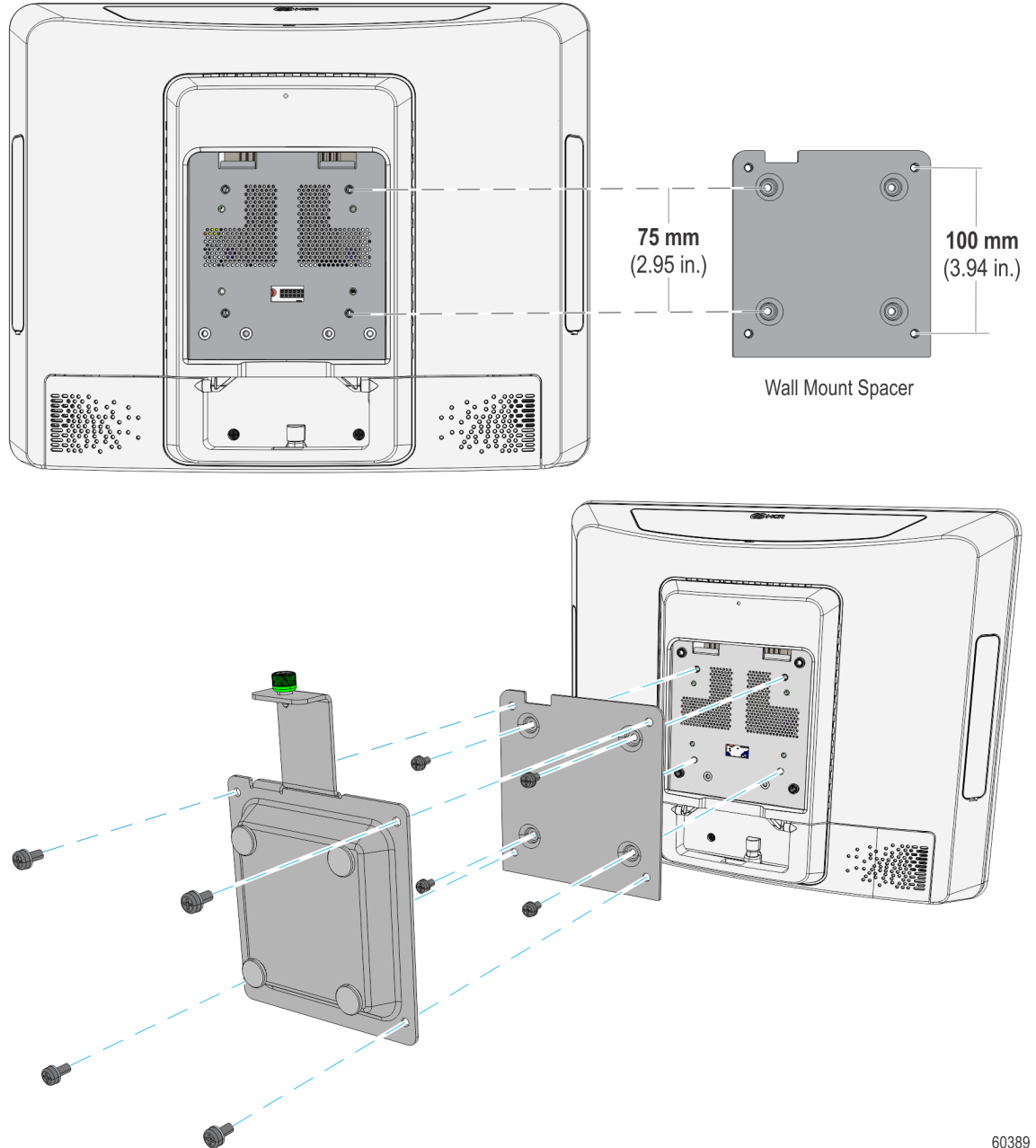
Introduction

This kit provides a wall mount for the P1535/P1235 POS with no expansion module.

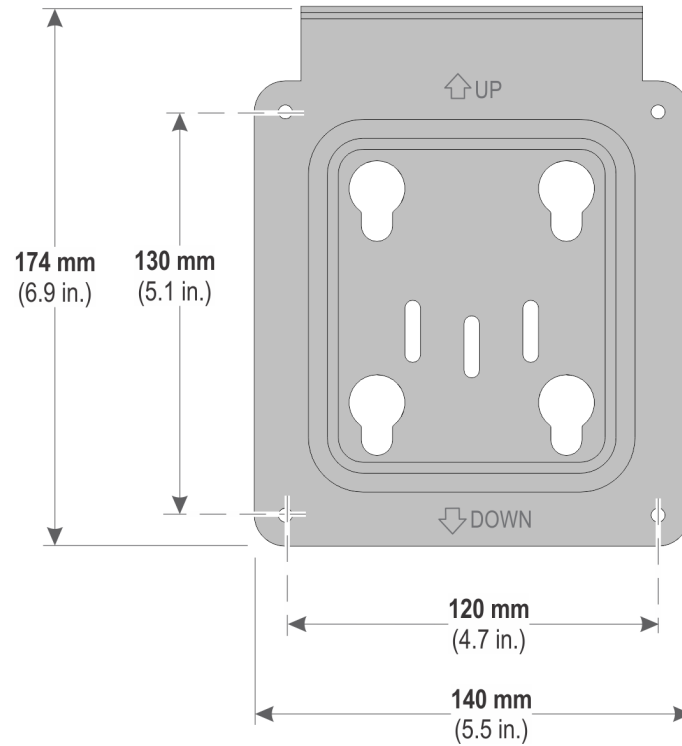


Installation Procedure

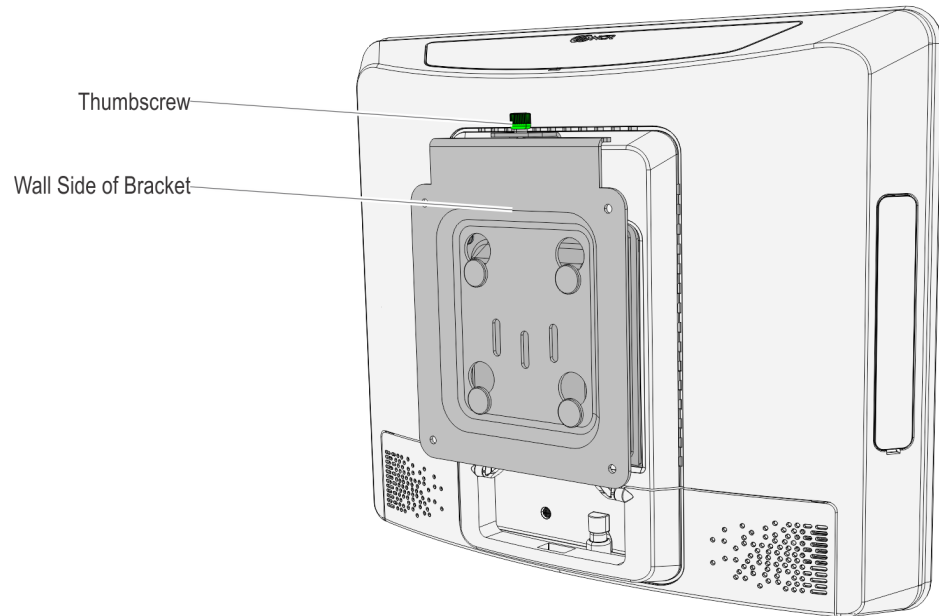
1. Install the Wall Mount Spacer and Wall Mount Bracket (with thumbscrew facing up) onto the back of the terminal and secure with the supplied screws (8).



- Secure the Mount Plate (with UP arrow pointing up) to the vertical surface using lag screws (4). Make sure you install the screws into the studs or that you use hardware of similar strength. Use the bracket as a template to mark the location of the holes or use the dimensions shown below.



3. Hang the terminal on the Mount Plate.
 - a. Insert the mushroom studs on the Wall Mount into the elongated slots on the Mount Plate.
 - b. Slide the terminal down to lock the brackets together.
 - c. Secure the brackets with the thumbscrew.

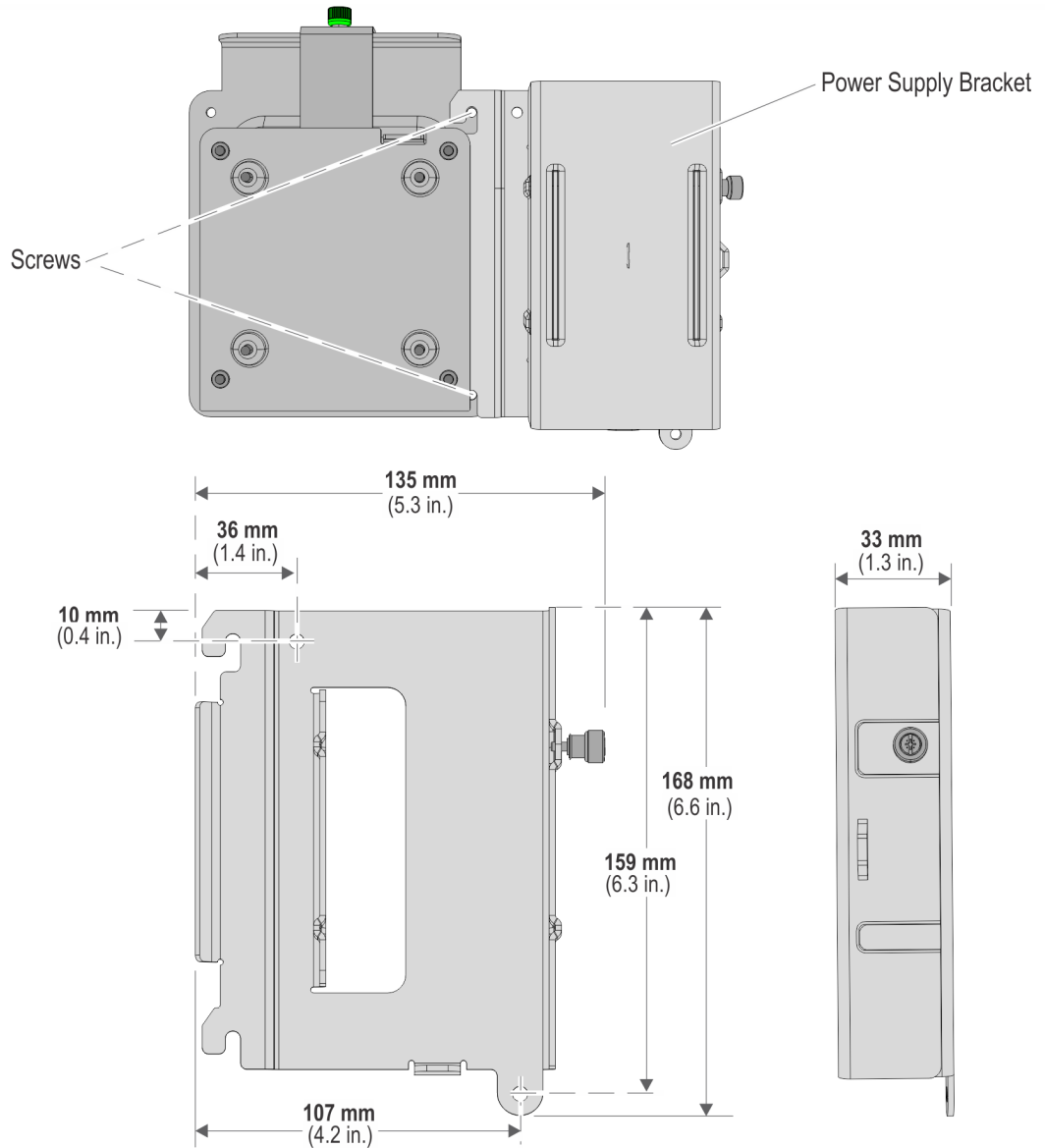


Power Supply Bracket

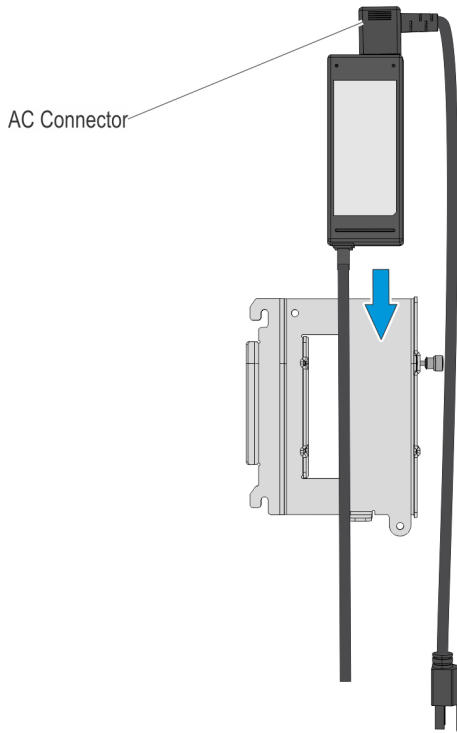
1. Attach the Power Supply Bracket beside the Mount Plate.
 - a. Loosen the screws (2) of the Mount Plate.
 - b. Hook the Power Supply Bracket over the screws. Re-tighten the screws.



Note: To install the Power Supply bracket independently from the Mount Plate, refer to the dimensions or use the bracket as a template to mark the location of the holes.

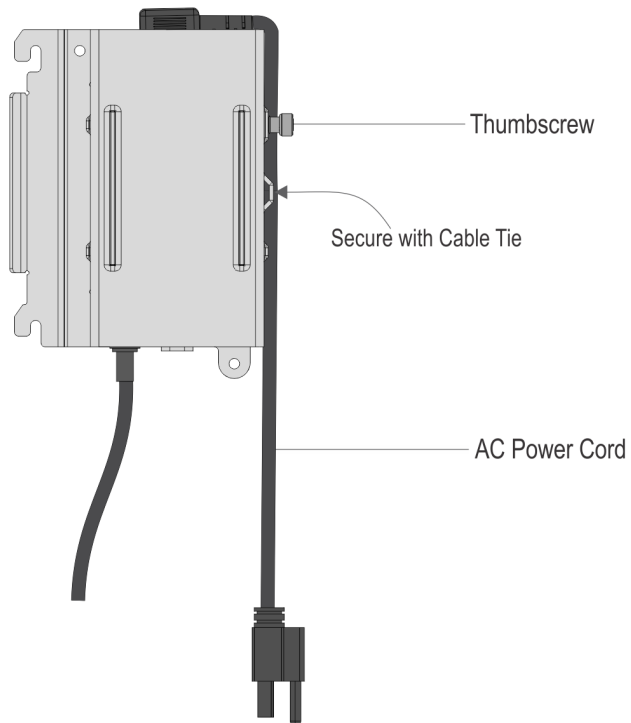


2. Insert the power supply into the bracket (AC Connector on top).



60425

3. Install the front cover of the bracket.



60421

4. Secure the bracket with the thumbscrew and the AC Power Cord with a cable tie.