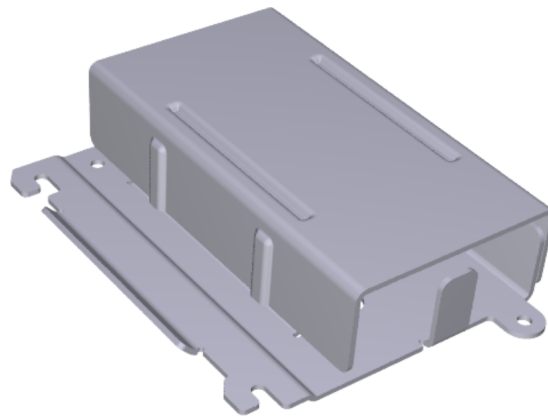


KIT INSTRUCTIONS

Wall Mount Power Supply Bracket



7761-K002
Issue B



The product described in this document is a licensed product of NCR Corporation.

NCR is a registered trademark of NCR Corporation. Product names mentioned in this publication may be trademarks or registered trademarks of their respective companies and are hereby acknowledged.

The terms HDMI and HDMI High-Definition Multimedia Interface, and the HDMI Logo are trademarks or registered trademarks of HDMI Licensing LLC in the United States and other countries.

Where creation of derivative works, modifications or copies of this NCR copyrighted documentation is permitted under the terms and conditions of an agreement you have with NCR, NCR's copyright notice must be included.

It is the policy of NCR Corporation (NCR) to improve products as new technology, components, software, and firmware become available. NCR, therefore, reserves the right to change specifications without prior notice.

All features, functions, and operations described herein may not be marketed by NCR in all parts of the world. In some instances, photographs are of equipment prototypes. Therefore, before using this document, consult with your NCR representative or NCR office for information that is applicable and current.

To maintain the quality of our publications, we need your comments on the accuracy, clarity, organization, and value of this book. Please use the link below to send your comments.

Email: FD230036@ncr.com

Copyright © 2016–2017

By NCR Corporation

Duluth, GA U.S.A.

All Rights Reserved

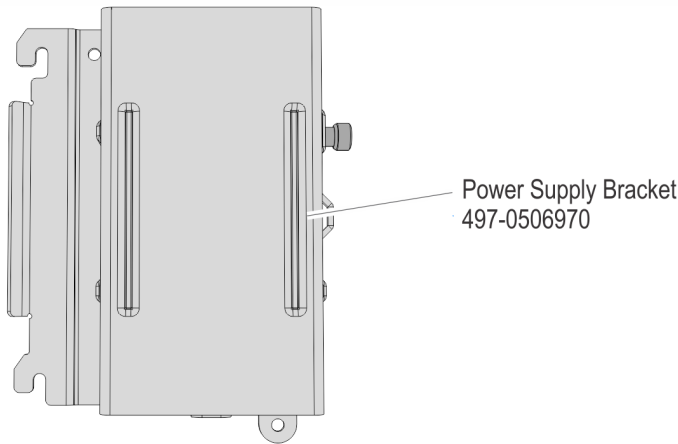
Revision Record

| Issue | Date | Remarks |
|-------|----------|---------------------------|
| A | Jan 2016 | First Issue |
| B | May 2017 | Removed reference to VESA |
| | | |

Wall Mount Power Supply Bracket

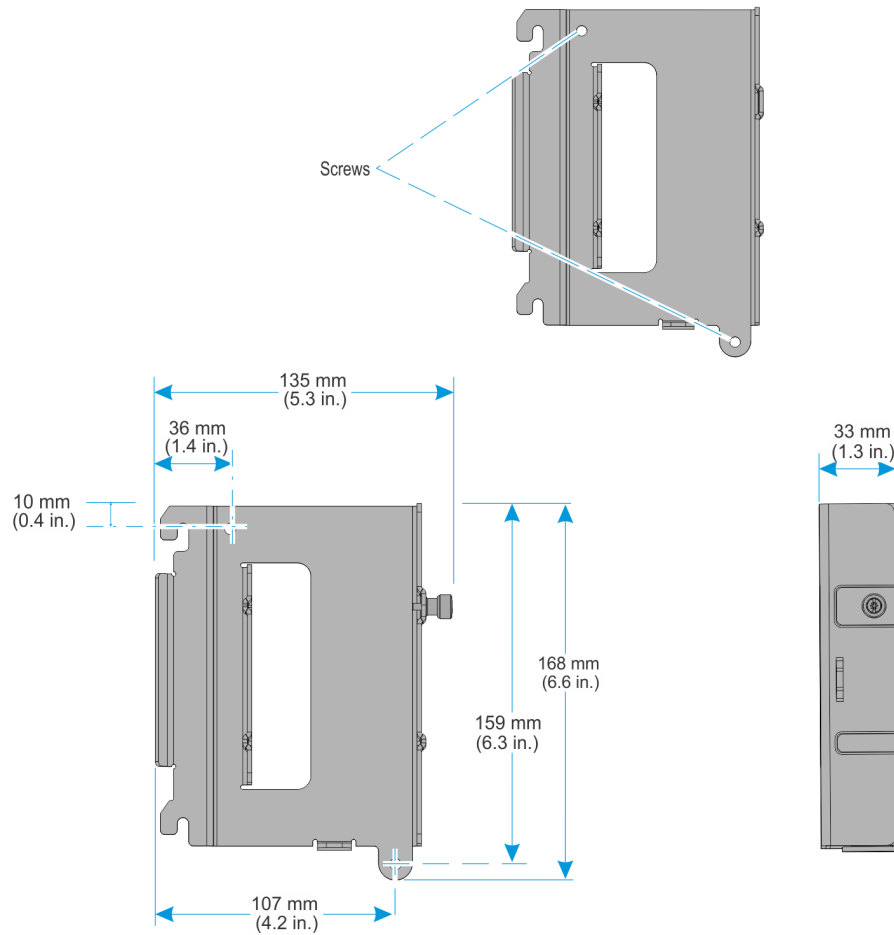
Introduction

This kit provides a bracket to mount a P1535/P1235 power supply on a vertical surface.



Installation Procedure

1. Secure the Power Supply Bracket on a vertical surface with the proper type of screws (2) for the surface type. Use the dimensions shown below or use the bracket as a template to mark the location of the holes.

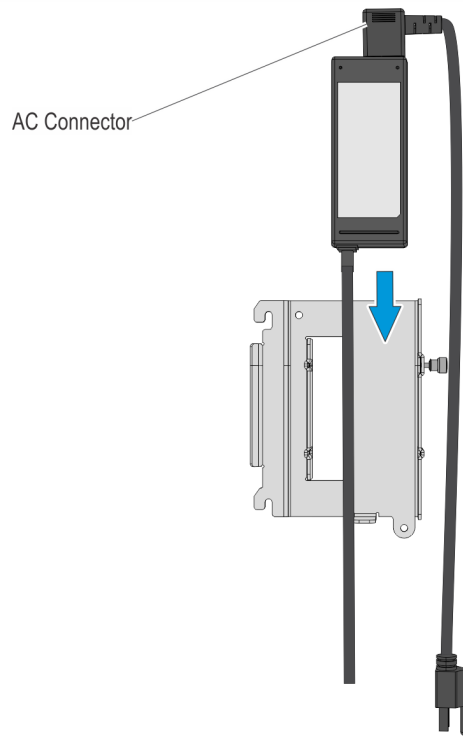


60289



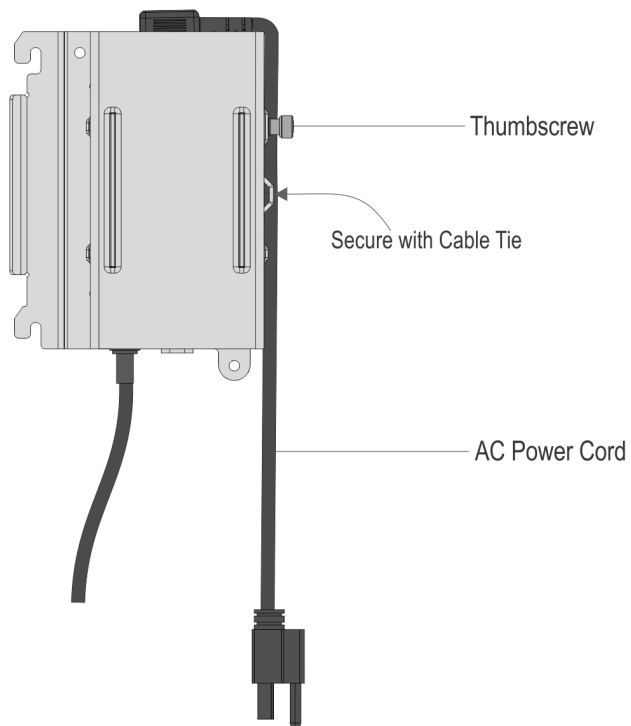
Note: The power supply bracket is assumed to be mounted independently from the Mount. For more information on mounting power supply brackets with mount plates, refer to the [7761-K001](#) and [7761-K003](#) kit instructions.

2. Insert the power supply into the bracket (AC Connector on top).



60425

3. Replace the front cover of the bracket.



60421

4. Secure the bracket with the thumbscrew and the AC Power Cord with a cable tie.