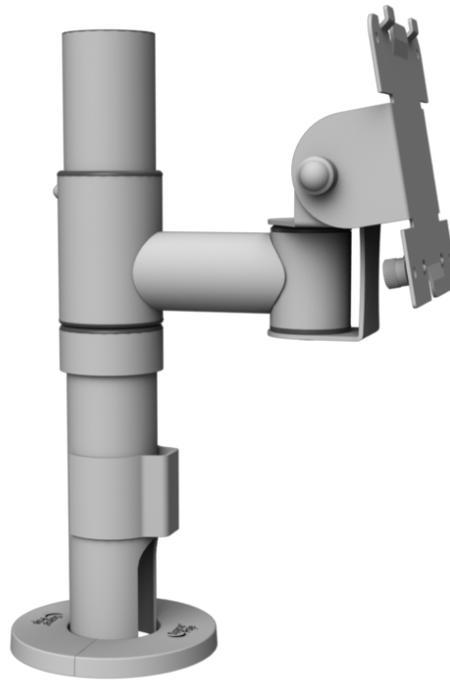


KIT INSTRUCTIONS

SpacePole Display Mount



1668-K104
Issue C



The product described in this document is a licensed product of NCR Corporation.

NCR is a registered trademark of NCR Corporation. Product names mentioned in this publication may be trademarks or registered trademarks of their respective companies and are hereby acknowledged.

The terms HDMI and HDMI High-Definition Multimedia Interface, and the HDMI Logo are trademarks or registered trademarks of HDMI Licensing LLC in the United States and other countries.

Where creation of derivative works, modifications or copies of this NCR copyrighted documentation is permitted under the terms and conditions of an agreement you have with NCR, NCR's copyright notice must be included.

It is the policy of NCR Corporation (NCR) to improve products as new technology, components, software, and firmware become available. NCR, therefore, reserves the right to change specifications without prior notice.

All features, functions, and operations described herein may not be marketed by NCR in all parts of the world. In some instances, photographs are of equipment prototypes. Therefore, before using this document, consult with your NCR representative or NCR office for information that is applicable and current.

To maintain the quality of our publications, we need your comments on the accuracy, clarity, organization, and value of this book. Please use the link below to send your comments.

Email: FD230036@ncr.com

Copyright © 2017–2020

By NCR Corporation

Global Headquarters

864 Spring St NW

Atlanta, GA 30308

U.S.A.

All Rights Reserved

Revision Record

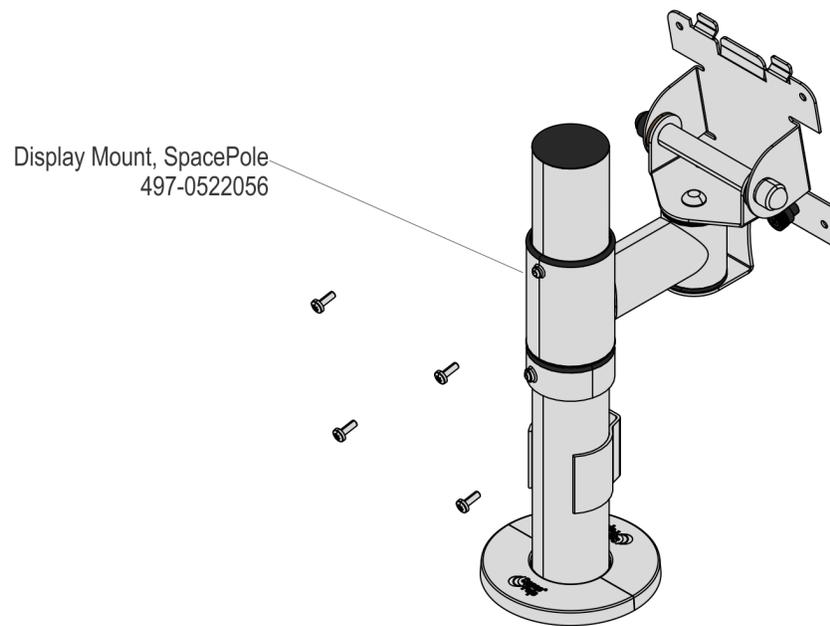
| Issue | Date | Remarks |
|-------|-----------|---|
| A | Apr 2017 | First Issue |
| B | Dec 2017 | Added pole dimensions |
| C | Sept 2020 | Updated Kit Contents illustration Added XL Display |

SpacePole Display Mount

Introduction

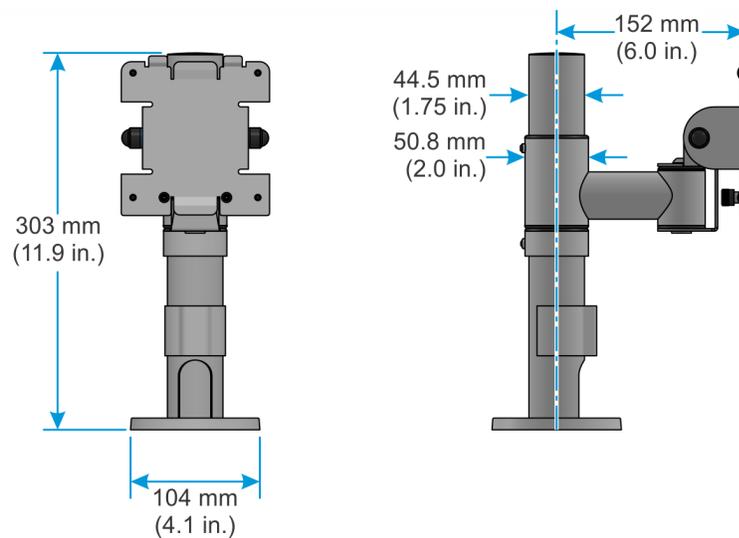
This kit provides the components to install a SpacePole Display Mount.

Kit Contents



CCP-79569

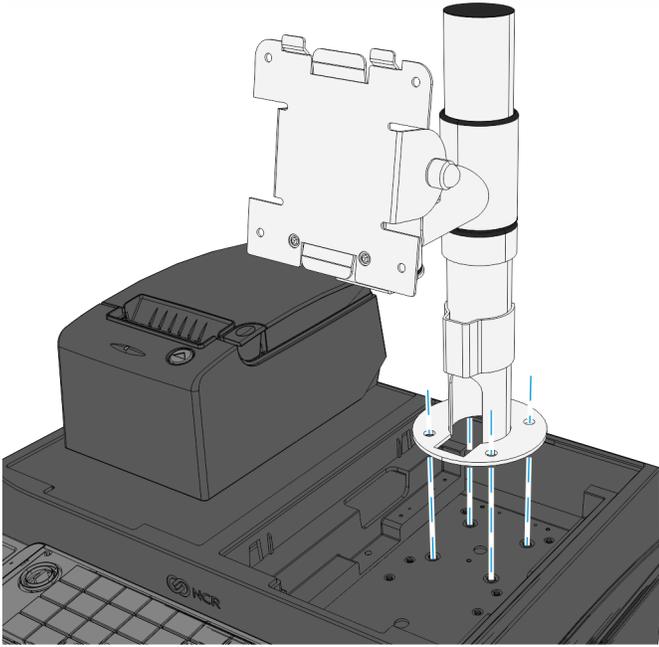
Dimensions



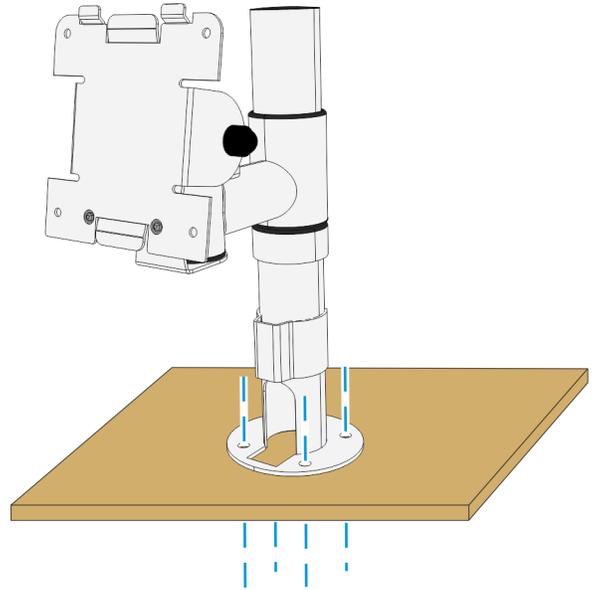
CCP-72963

Installation Procedure

1. For countertop installation, drill four holes for the mounting bolts in the desired location. Use the SpacePole Mount base as a template for locating the holes. Install the SpacePole Display Mount and secure with screws (4) or bolts (4) included in the hardware pack or with your preferred fasteners.



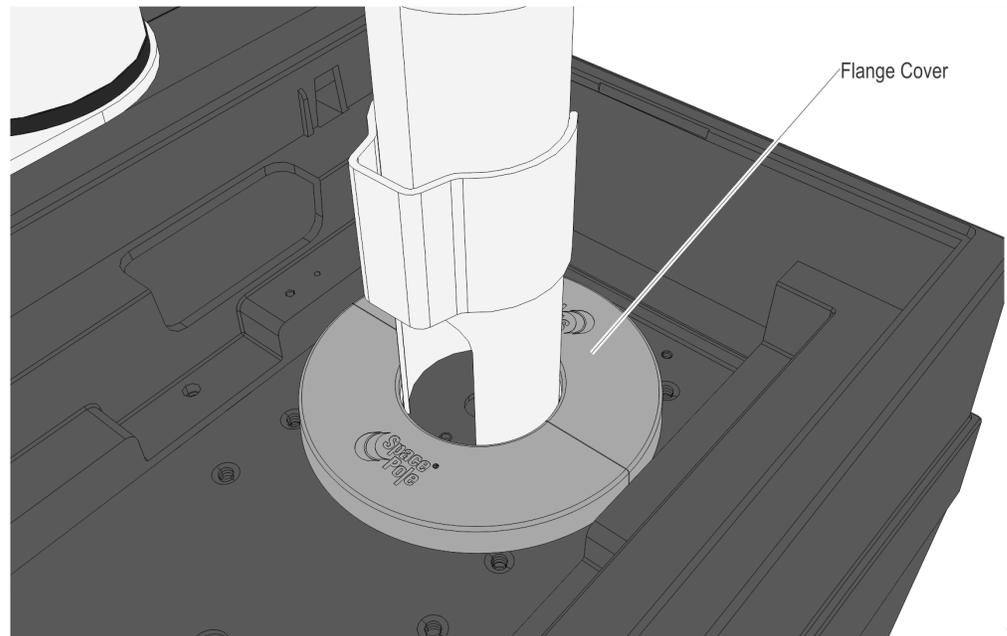
INTEGRATION TRAY



COUNTERTOP

70686

2. Install the Flange Cover.



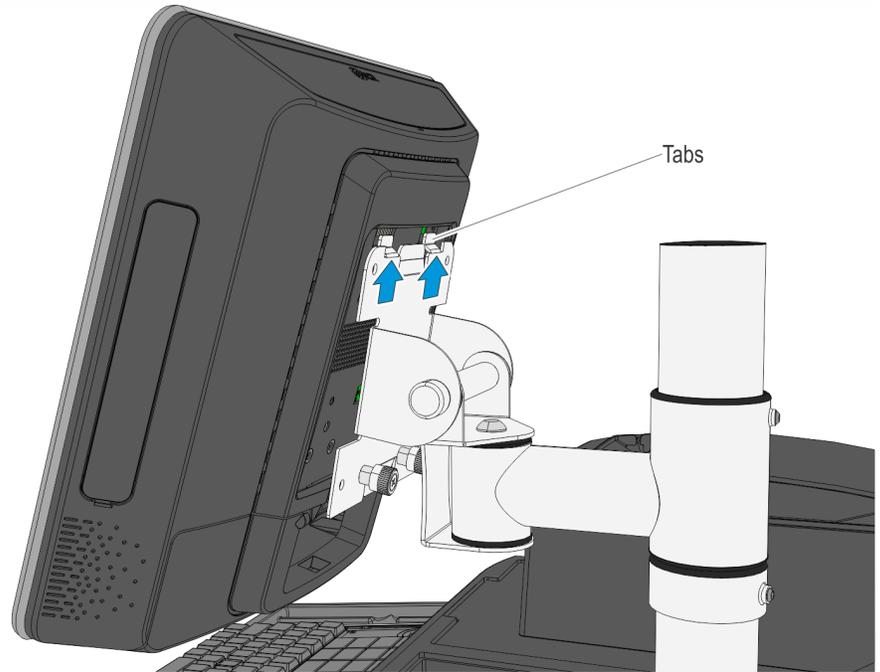
Flange Cover

70687

3. Attach the POS display to the SpacePole arm by sliding the bracket tabs into the head slots.

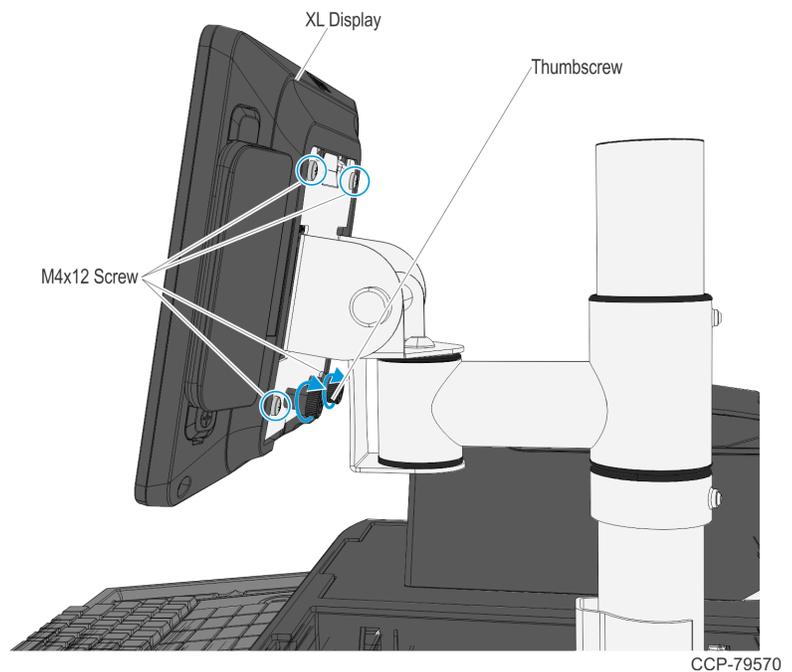
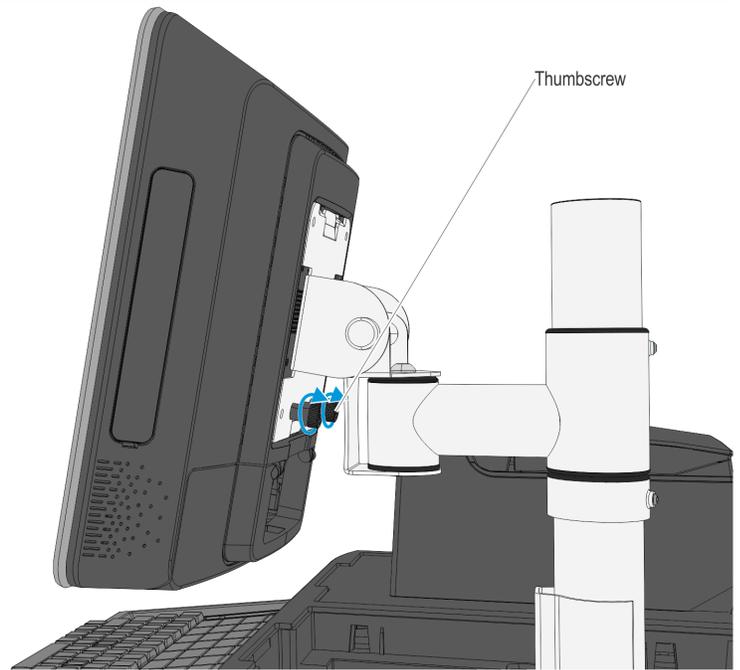


Note: For XL Displays, connect the cables to the back of the display before mounting the display on the bracket.

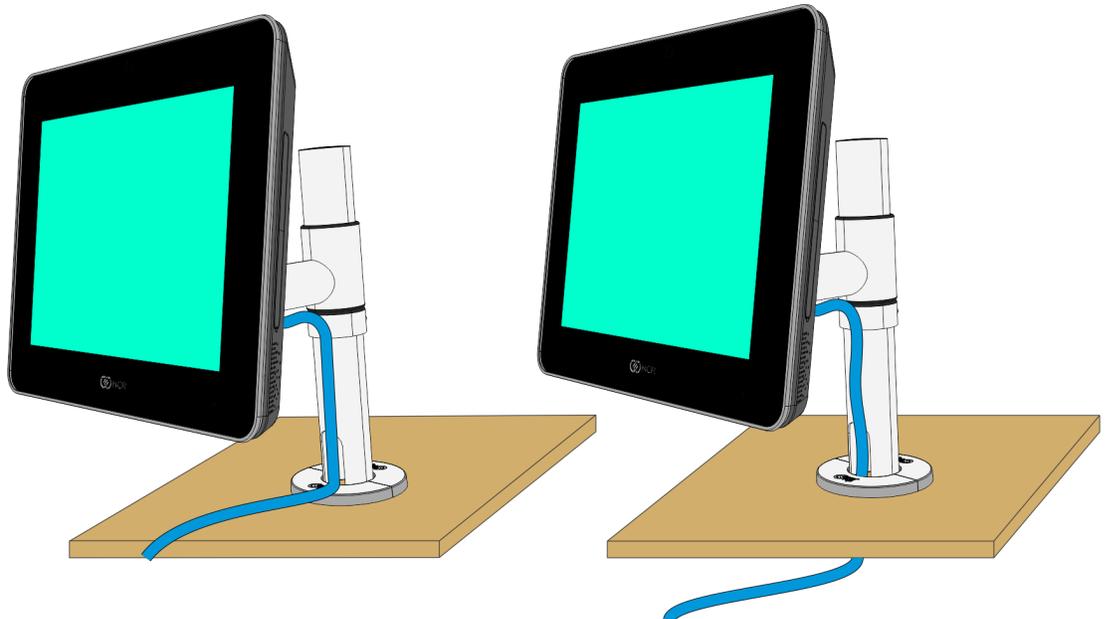
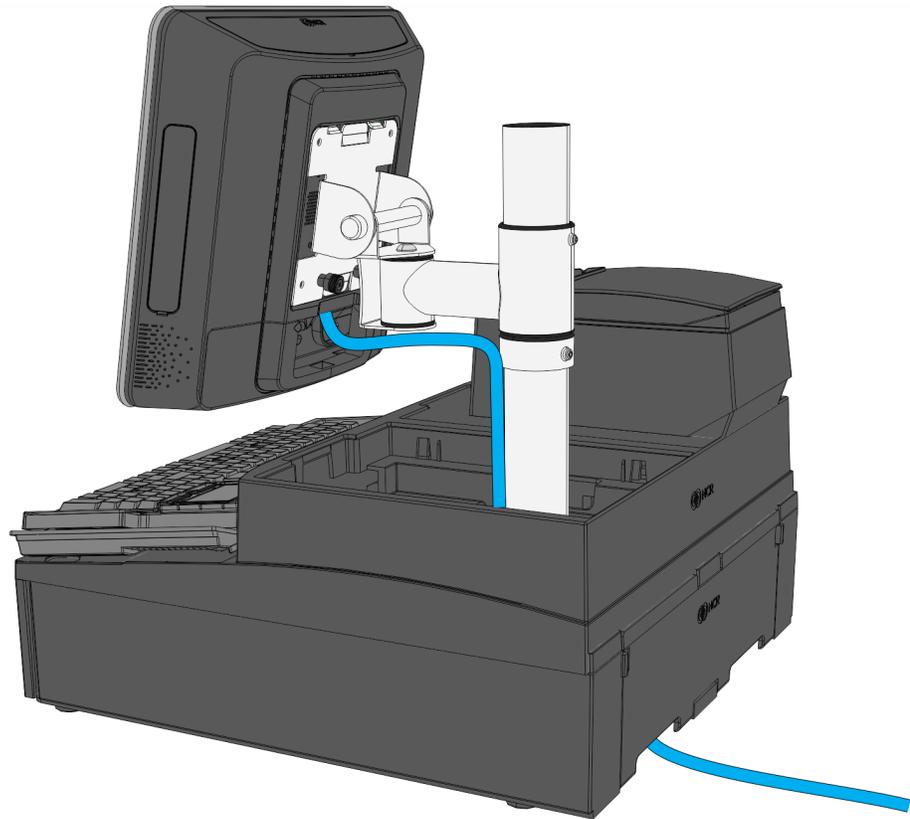


70688

4. Tighten the (2) thumbscrews at the bottom of the bracket to secure the display. For XL Displays, tighten the (2) thumbscrews and install (4) M4x12 screws to secure the display.



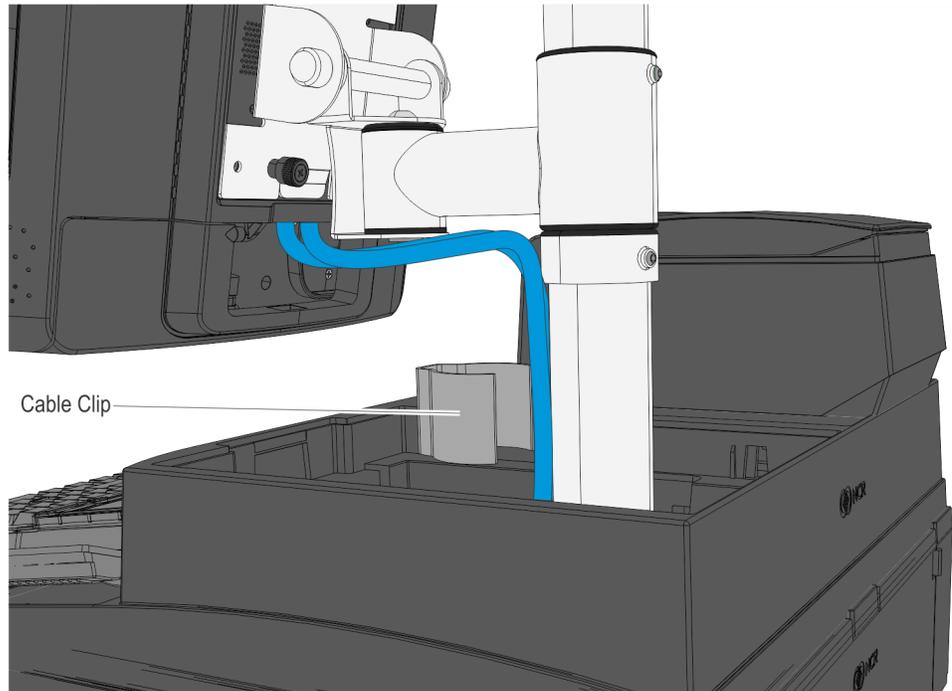
5. Route the cables from the display down the SpacePole Mount and out of the integration tray or the countertop.



COUNTERTOP WITHOUT HOLE

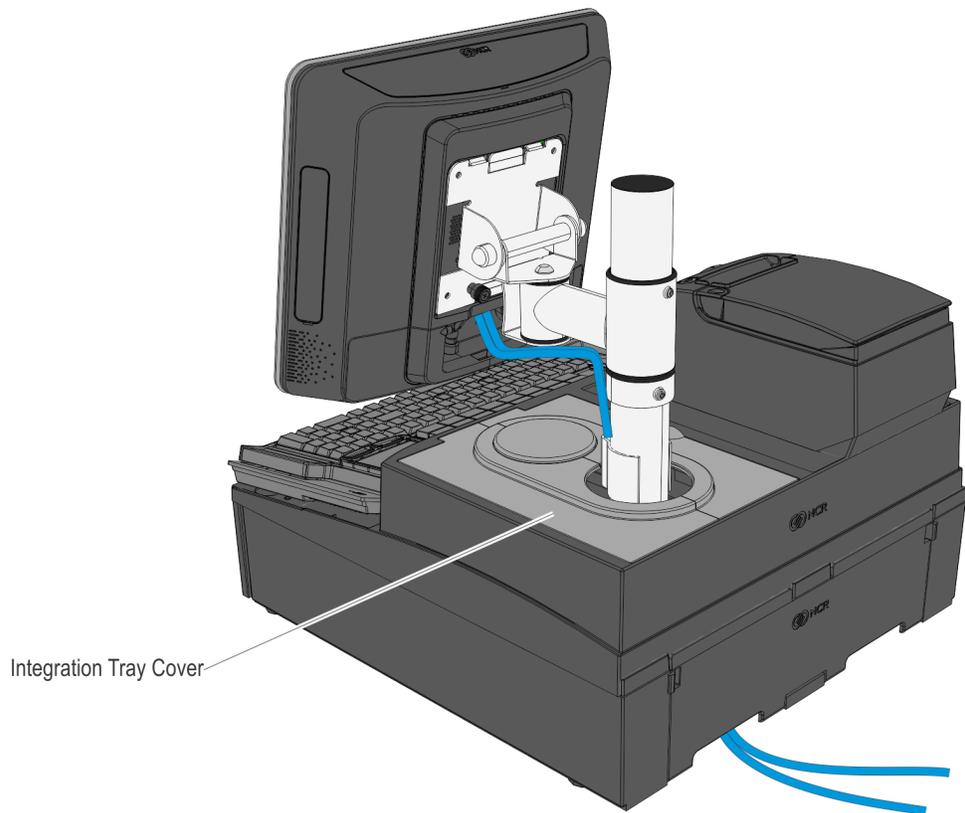
COUNTERTOP WITH HOLE

- 6. Install the Cable Clip to secure the cables.



70691

- 7. Add the integration tray cover.



70692