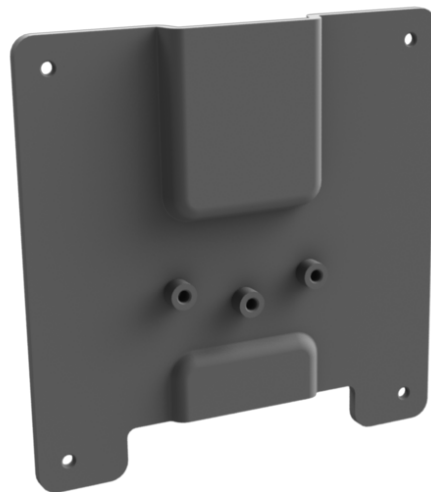


KIT INSTRUCTIONS

SpacePole with Expansion

Release 1.0



1668-K103
Issue A



The product described in this document is a licensed product of NCR Corporation.

NCR is a registered trademark of NCR Corporation. Product names mentioned in this publication may be trademarks or registered trademarks of their respective companies and are hereby acknowledged.

The terms HDMI and HDMI High-Definition Multimedia Interface, and the HDMI Logo are trademarks or registered trademarks of HDMI Licensing LLC in the United States and other countries.

Where creation of derivative works, modifications or copies of this NCR copyrighted documentation is permitted under the terms and conditions of an agreement you have with NCR, NCR's copyright notice must be included.

It is the policy of NCR Corporation (NCR) to improve products as new technology, components, software, and firmware become available. NCR, therefore, reserves the right to change specifications without prior notice.

All features, functions, and operations described herein may not be marketed by NCR in all parts of the world. In some instances, photographs are of equipment prototypes. Therefore, before using this document, consult with your NCR representative or NCR office for information that is applicable and current.

To maintain the quality of our publications, we need your comments on the accuracy, clarity, organization, and value of this book. Please use the link below to send your comments.

Email: FD230036@ncr.com

Copyright © 2017
By NCR Corporation
Duluth, GA U.S.A.
All Rights Reserved

Revision Record

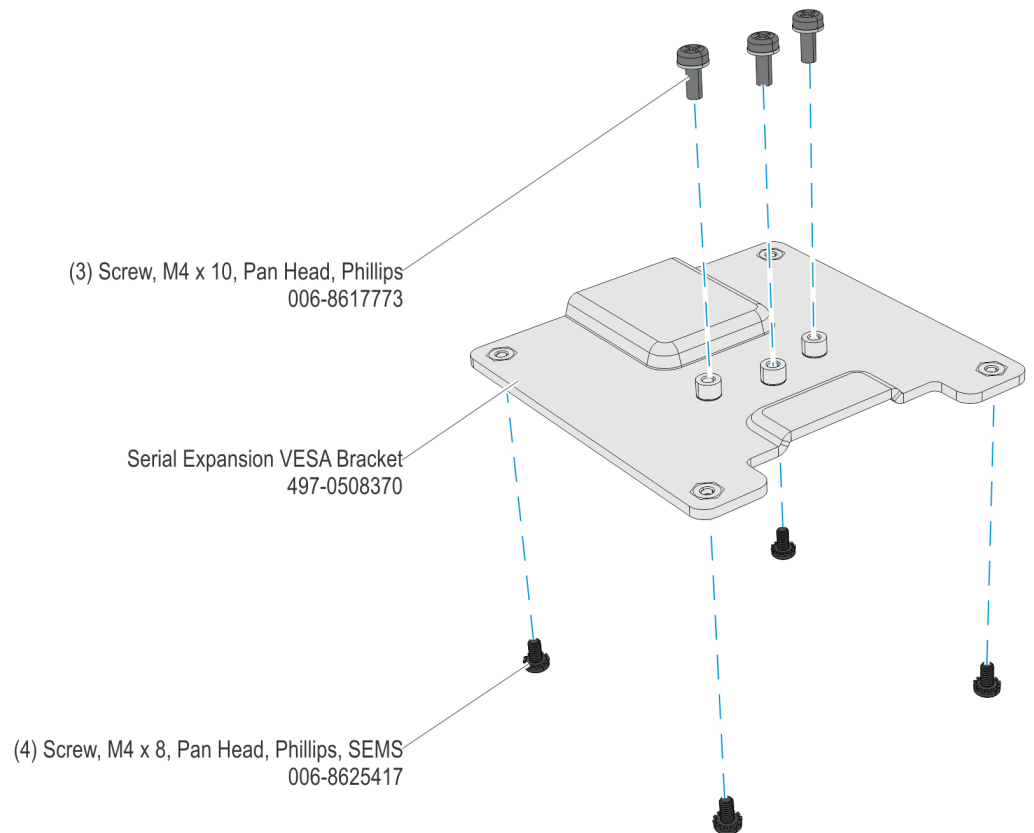
Issue	Date	Remarks
A	Apr 2017	First Issue

SpacePole with Expansion

Introduction

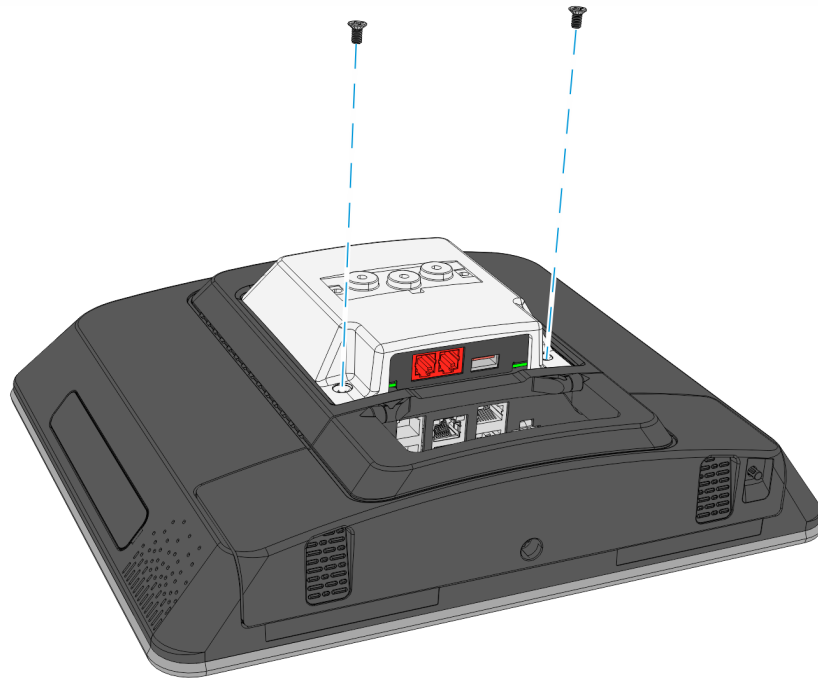
This kit provides the components to install an Expansion VESA Bracket.

Kit Content



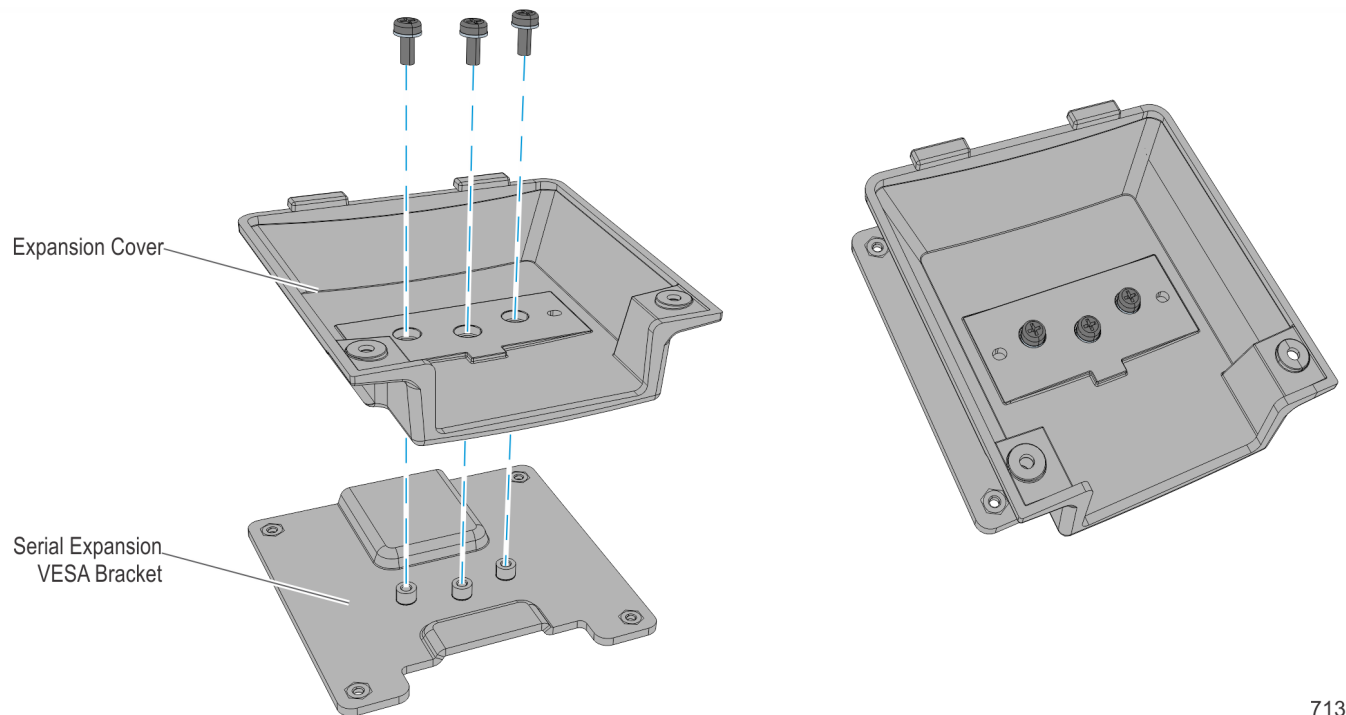
Installation Procedure

1. Remove the screws (2) that secure the expansion cover.



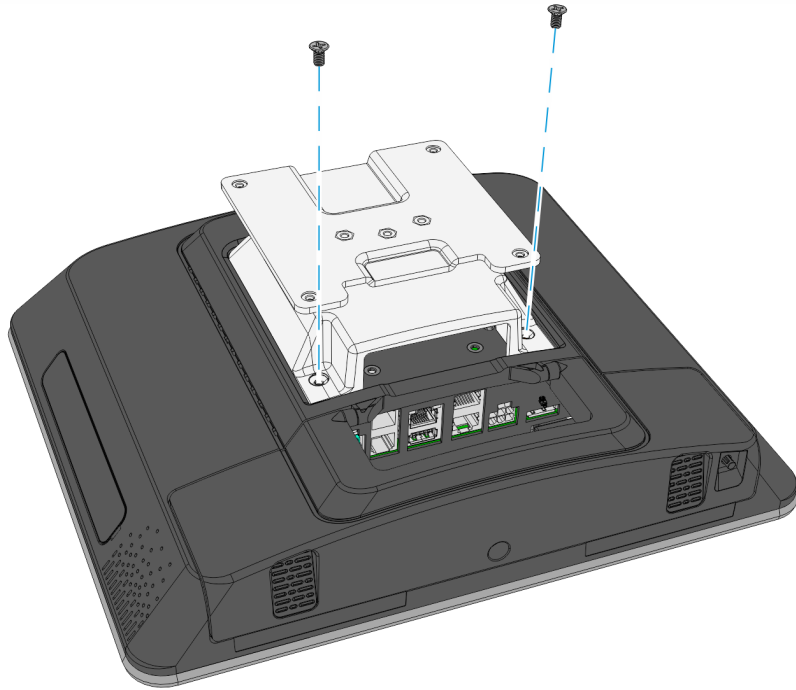
71318

2. Mount the Expansion Cover on the Expansion VESA Bracket. Secure with M4 x10 screws (3).



71320

3. Install the Expansion assembly on the back of the P-Series POS display. Secure with screws (2).



71321

4. Attach SpacePole mount with standard flat mounting plate to P-Series POS display with Expansion assembly. Secure with M4 x 8 screws (4).