

KIT INSTRUCTIONS

Pole Mount Assembly

Release 1.0



7754-K313
Issue A



The product described in this document is a licensed product of NCR Corporation.

NCR is a registered trademark of NCR Corporation. Product names mentioned in this publication may be trademarks or registered trademarks of their respective companies and are hereby acknowledged.

The terms HDMI and HDMI High-Definition Multimedia Interface, and the HDMI Logo are trademarks or registered trademarks of HDMI Licensing LLC in the United States and other countries.

Where creation of derivative works, modifications or copies of this NCR copyrighted documentation is permitted under the terms and conditions of an agreement you have with NCR, NCR's copyright notice must be included.

It is the policy of NCR Corporation (NCR) to improve products as new technology, components, software, and firmware become available. NCR, therefore, reserves the right to change specifications without prior notice.

All features, functions, and operations described herein may not be marketed by NCR in all parts of the world. In some instances, photographs are of equipment prototypes. Therefore, before using this document, consult with your NCR representative or NCR office for information that is applicable and current.

To maintain the quality of our publications, we need your comments on the accuracy, clarity, organization, and value of this book. Please use the link below to send your comments.

Email: FD230036@ncr.com

Copyright © 2016
By NCR Corporation
Duluth, GA U.S.A.
All Rights Reserved

Revision Record

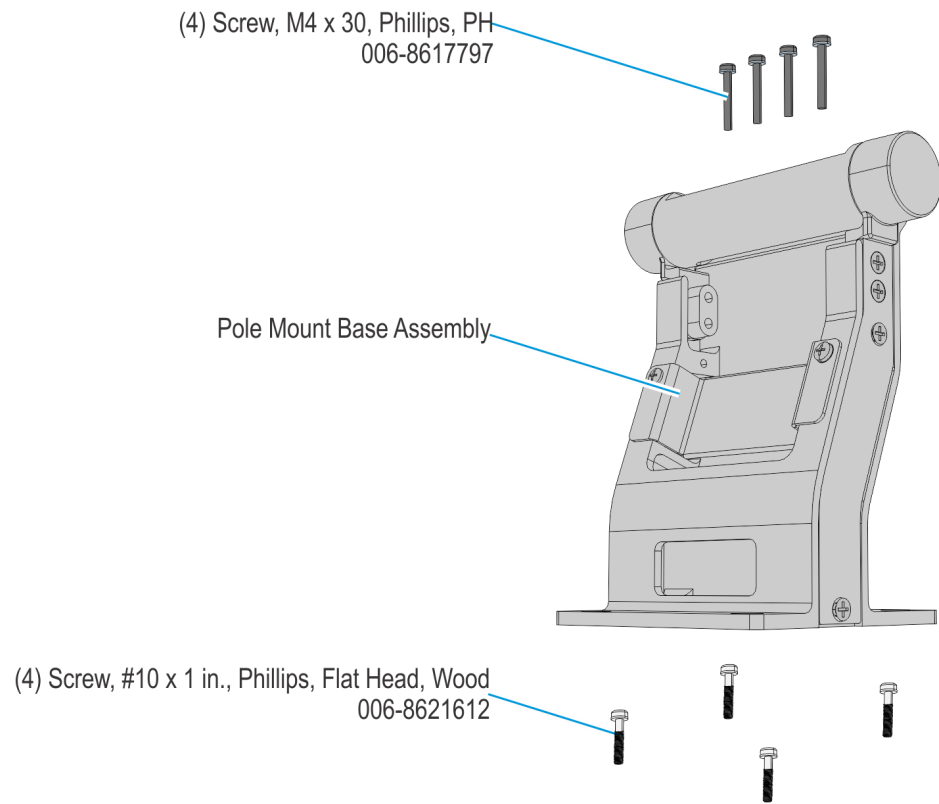
Issue	Date	Remarks
A	Apr 2016	First Issue

Pole Mount Assembly

Introduction

This kit provides a pole mount assembly for the NCR P1532 POS.

Kit Contents

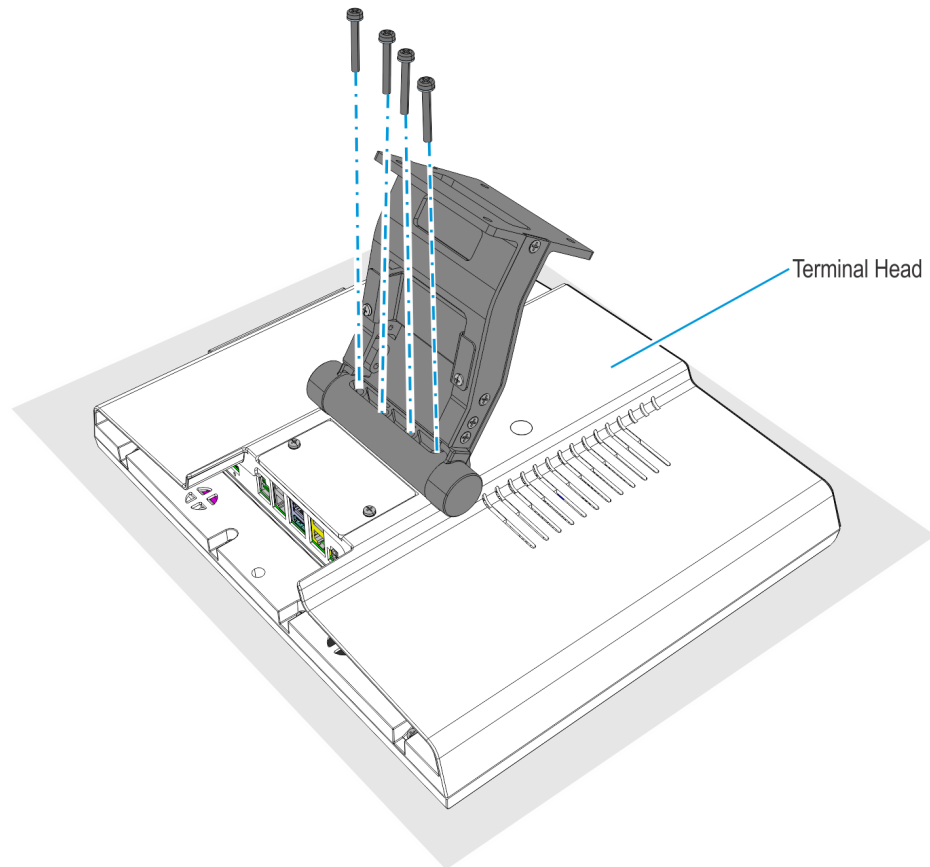


Installation Procedure

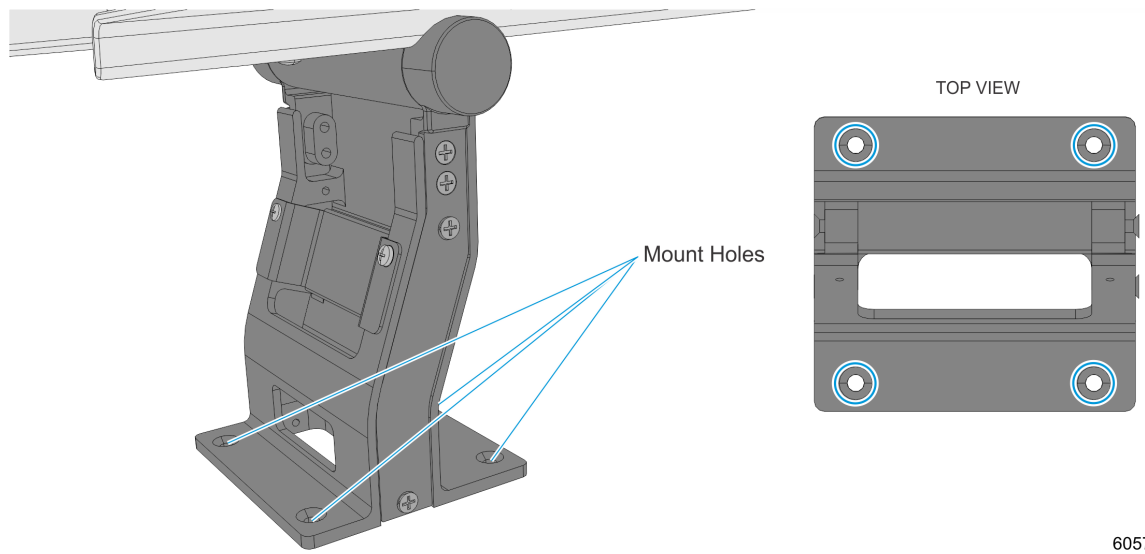
1. Install the pole mount base assembly to the terminal head. Secure with M4 x 30mm screws (4).



Note: Refer to the *Removing Terminal Head* section for more information on removing the terminal head from the base stand.

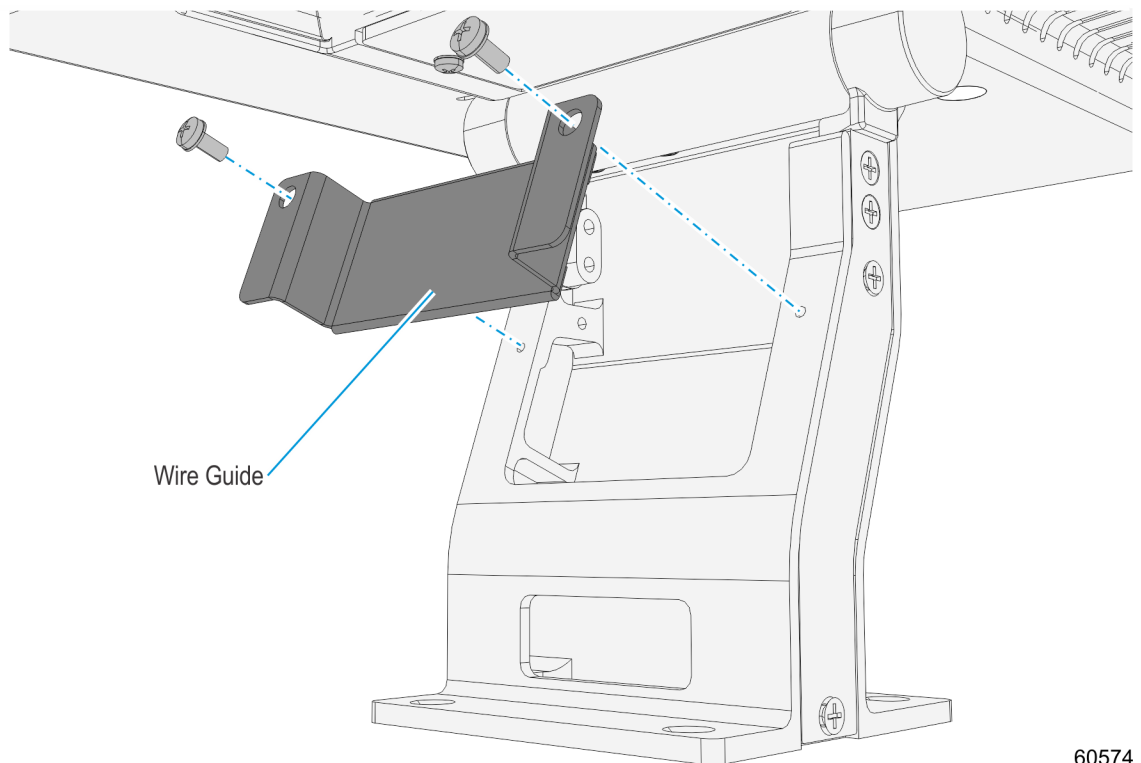


2. Mount the pole mount base assembly. Secure with wood screws (4).



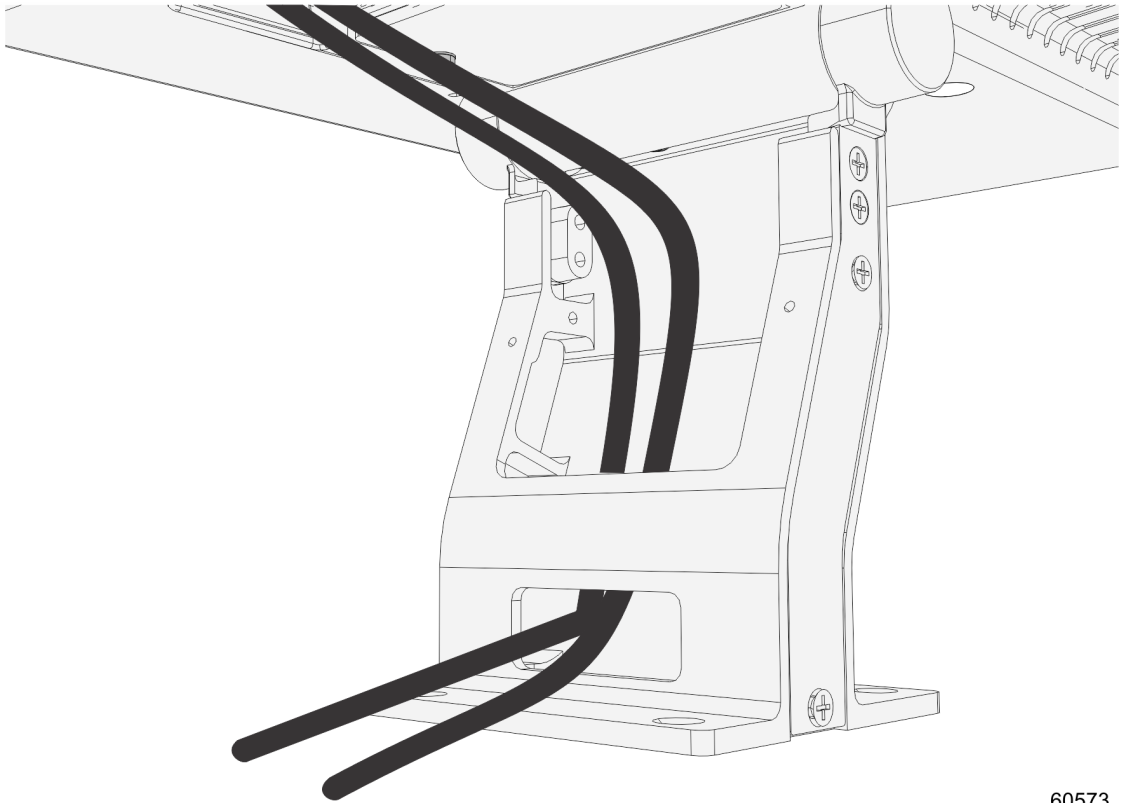
60578

3. Remove the screws (2) and the Wire Guide.



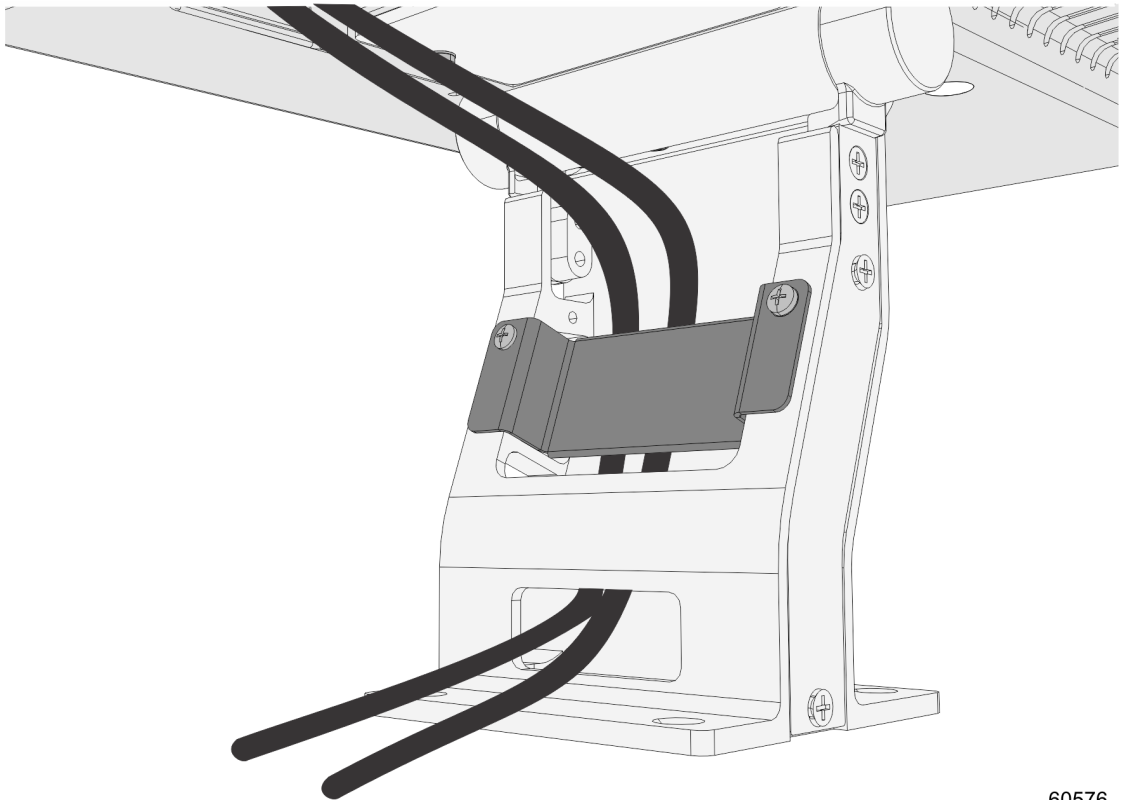
60574

4. Route the cable behind the wire guide down to the pole mount base.



60573


5. Replace the wire guide and secure with screws (2).



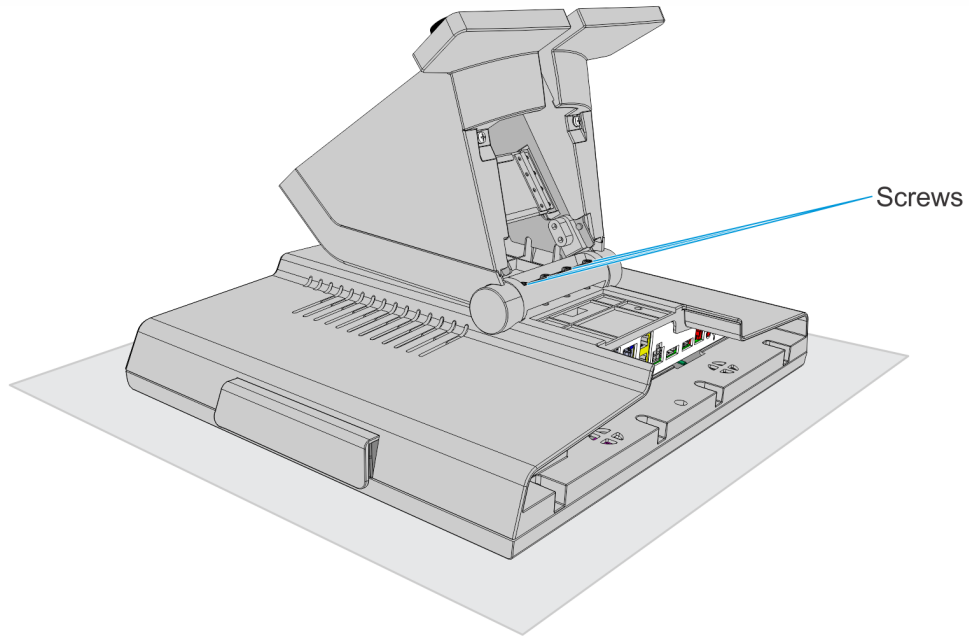
60576

Removing Top Assembly

1. Unplug power and cables.
2. Lay the terminal face down on a flat surface.

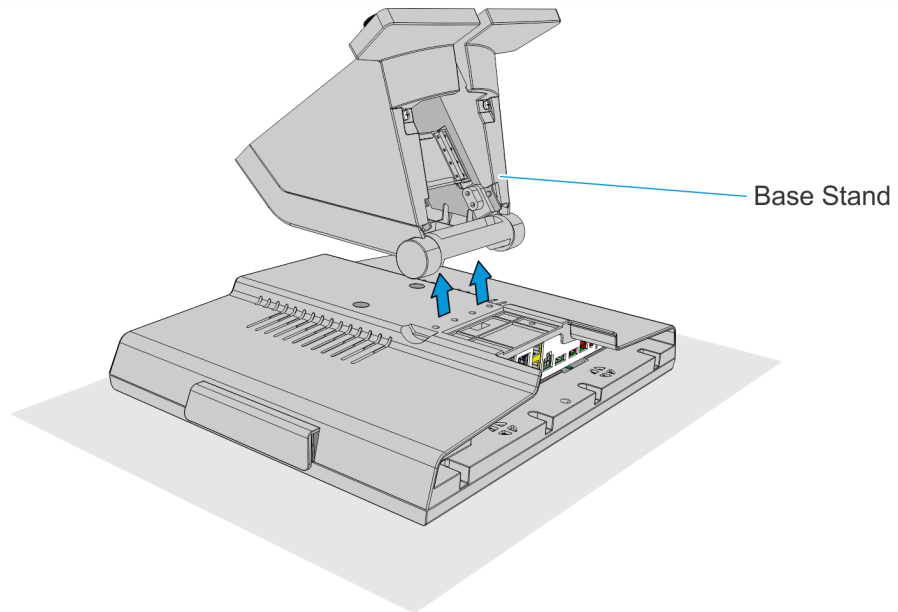
 **Caution:** Always use a soft material (cloth, foam) to protect the display screen when placing the terminal face down.

3. Tilt the base stand towards the top edge of the terminal.
4. Remove the screws (4) that secure the base stand to the display.



60558

5. Pull the base stand off the display slowly.



60559