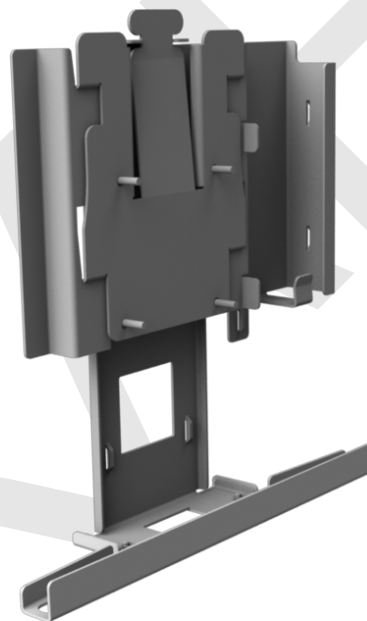


KIT INSTRUCTIONS

Wall Mount Assembly

Release 1.0



7754-K312
Issue A



The product described in this document is a licensed product of NCR Corporation.

NCR is a registered trademark of NCR Corporation. NCR P1532 POS is a trademark of NCR Corporation in the United States and/or other countries. Other product names mentioned in this publication may be trademarks or registered trademarks of their respective companies and are hereby acknowledged.

The terms HDMI and HDMI High-Definition Multimedia Interface, and the HDMI Logo are trademarks or registered trademarks of HDMI Licensing LLC in the United States and other countries.

Where creation of derivative works, modifications or copies of this NCR copyrighted documentation is permitted under the terms and conditions of an agreement you have with NCR, NCR's copyright notice must be included.

It is the policy of NCR Corporation (NCR) to improve products as new technology, components, software, and firmware become available. NCR, therefore, reserves the right to change specifications without prior notice.

All features, functions, and operations described herein may not be marketed by NCR in all parts of the world. In some instances, photographs are of equipment prototypes. Therefore, before using this document, consult with your NCR representative or NCR office for information that is applicable and current.

To maintain the quality of our publications, we need your comments on the accuracy, clarity, organization, and value of this book. Please use the link below to send your comments.

Email: FD230036@ncr.com

Copyright © 2016
By NCR Corporation
Duluth, GA U.S.A.
All Rights Reserved

Revision Record

Issue	Date	Remarks
A	Apr 2016	First Issue

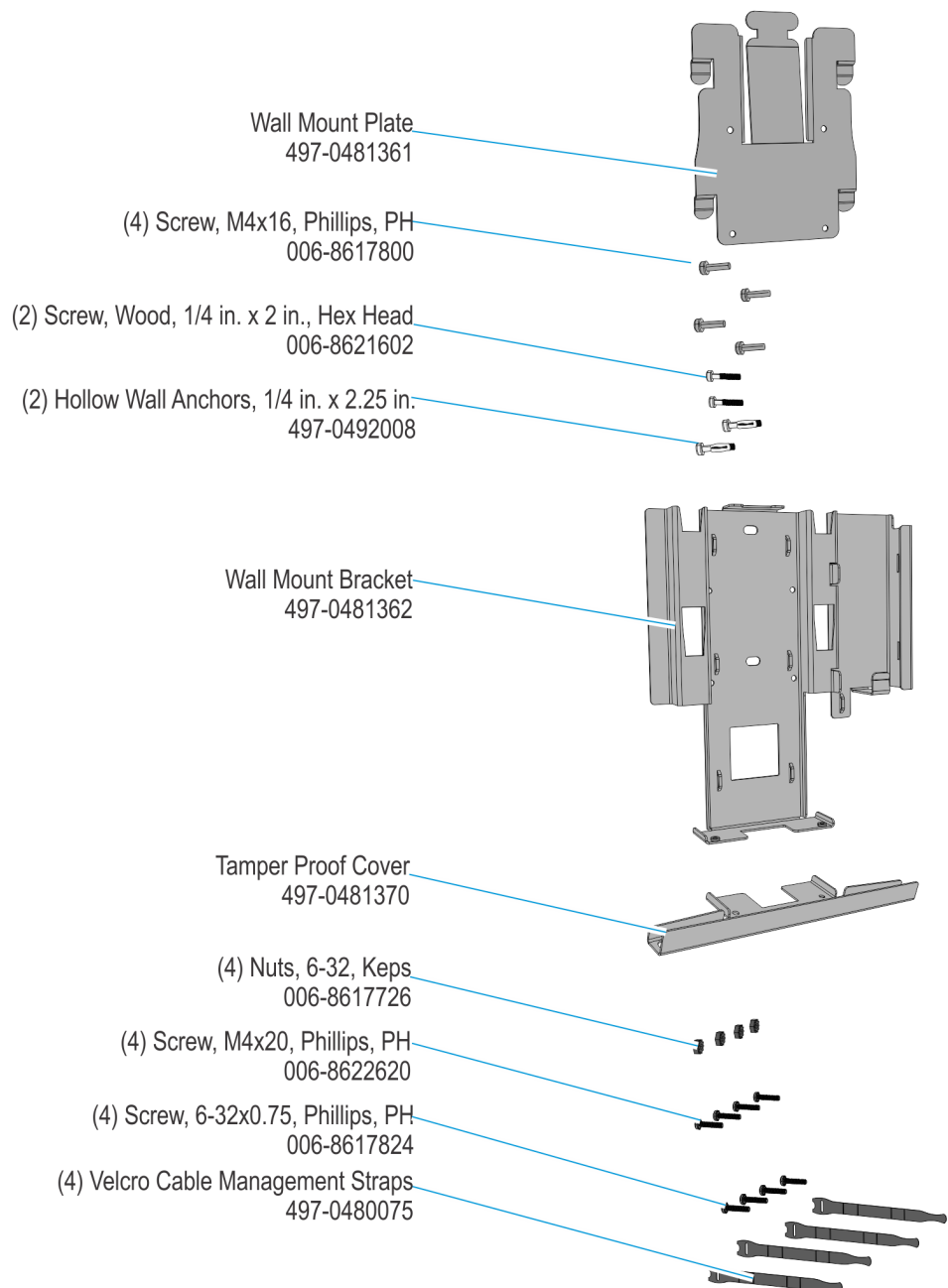
DRAFT

Wall Mount Assembly

Introduction

This kit provides a wall mount assembly for the NCR P1532 POS.

Kit Contents

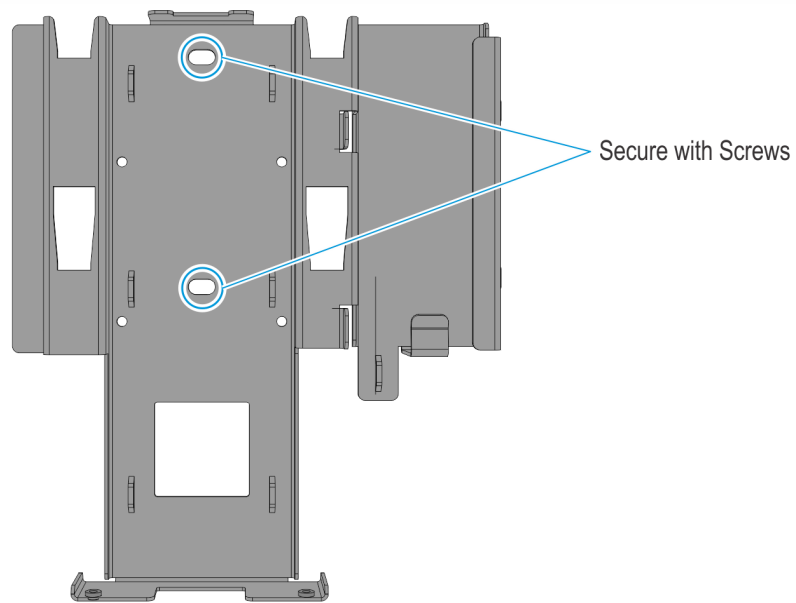


Installation Procedure

1. Mount the Wall Mount Bracket to the wall. Secure the bracket with one of the following:
 - If there are no studs, mount the bracket with two hollow wall anchors (1/4" diameter x 2 1/4" length).
 - If there is a stud, mount the bracket with two wood screws (1/4" diameter x 2" length).

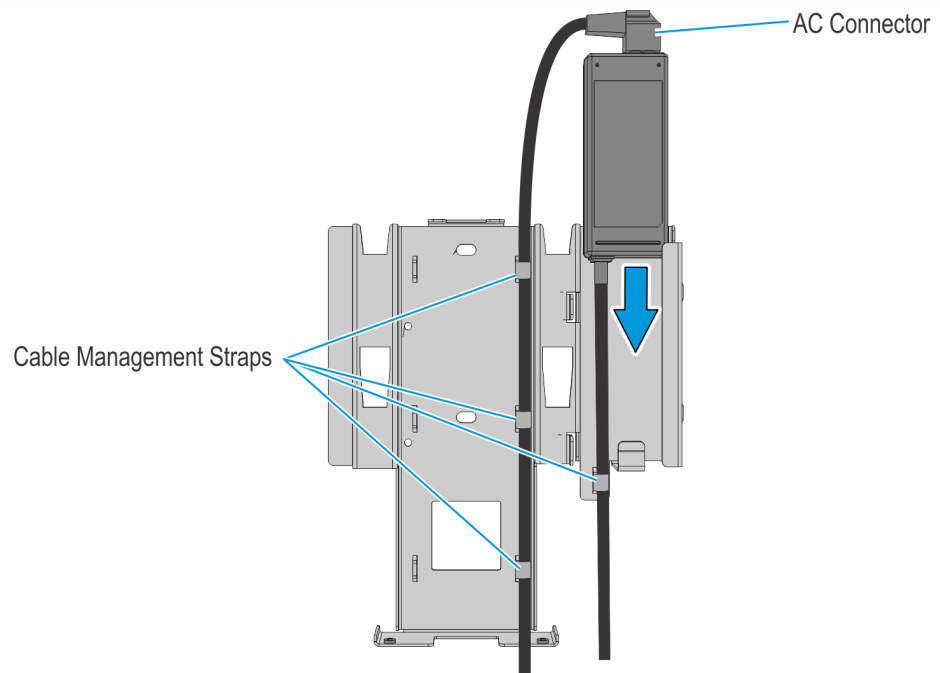


Note: The socket-outlet must be installed near the equipment and must be made readily accessible.

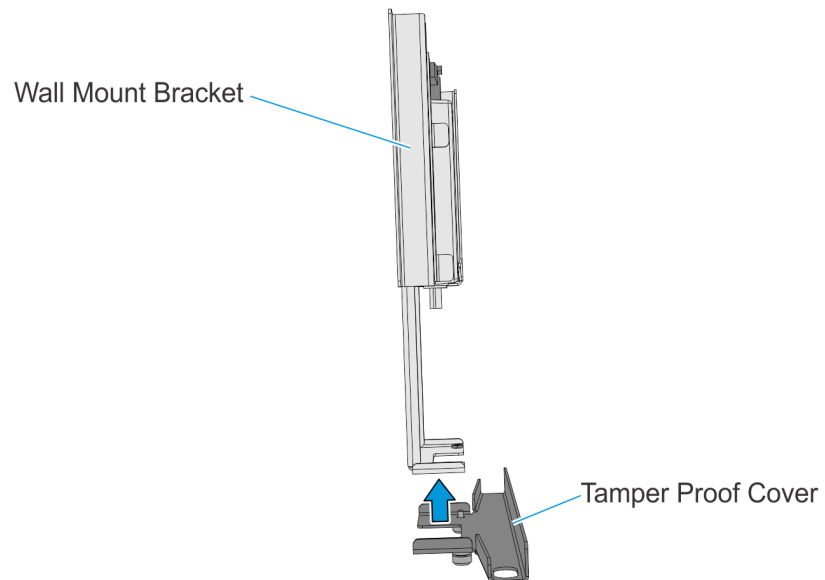


60564

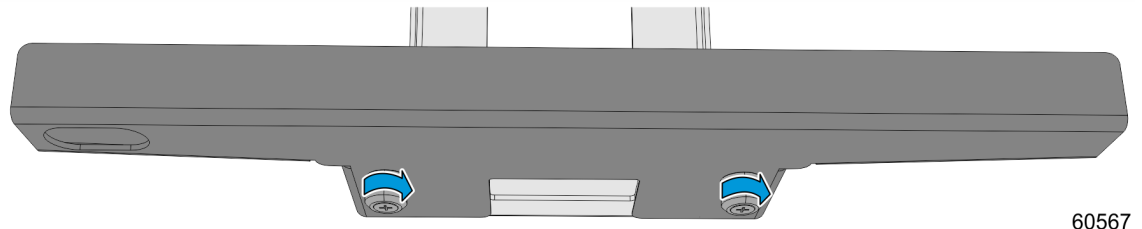
2. Insert the power brick into the power supply bracket (AC connector on top). Route the cables into the pass-through slot. Fasten the cables together using the Cable Management Straps.



3. Push the Tamper Proof Cover to the bottom of the wall mount bracket.

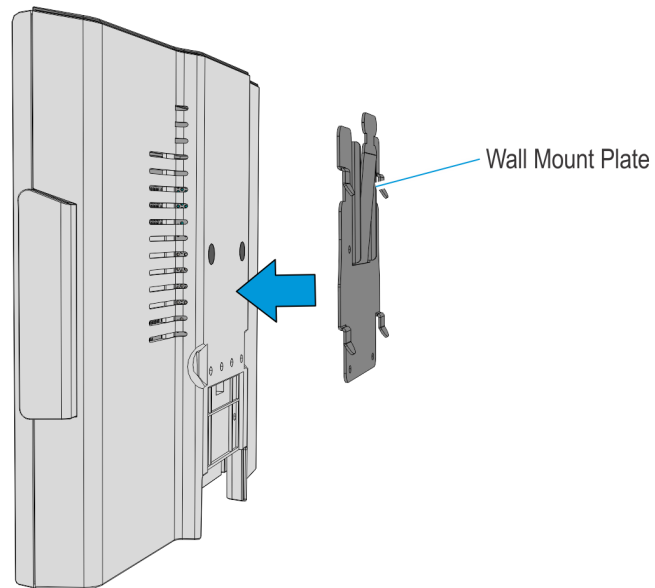


4. Tighten the thumbscrews (2) to secure the tamper proof cover.



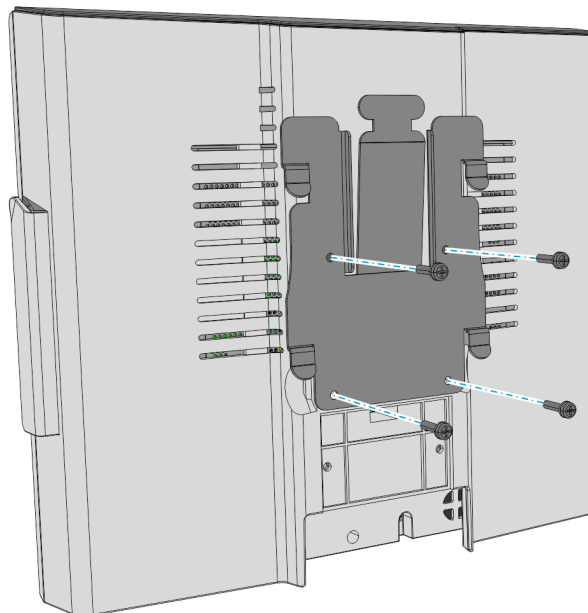
60567

5. Mount the Wall Mount Plate to the back of the terminal head.



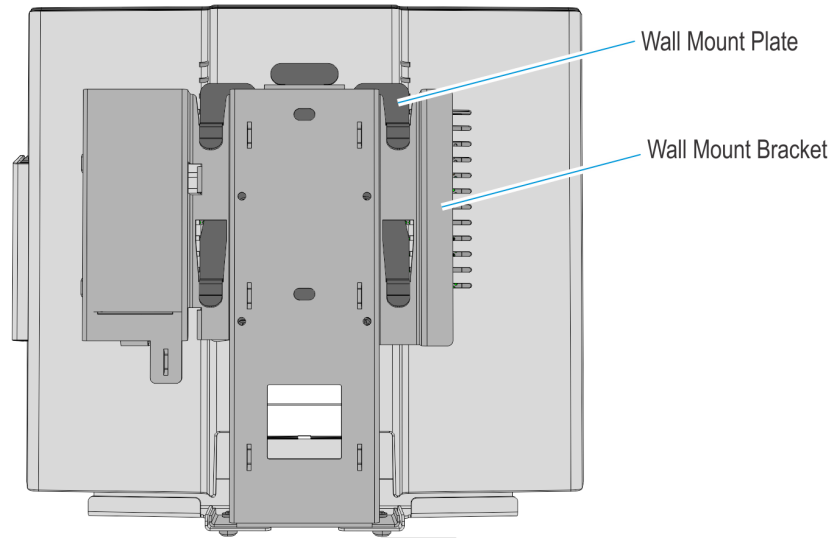
60568

6. Secure the plate with M4 x16 screws (4).



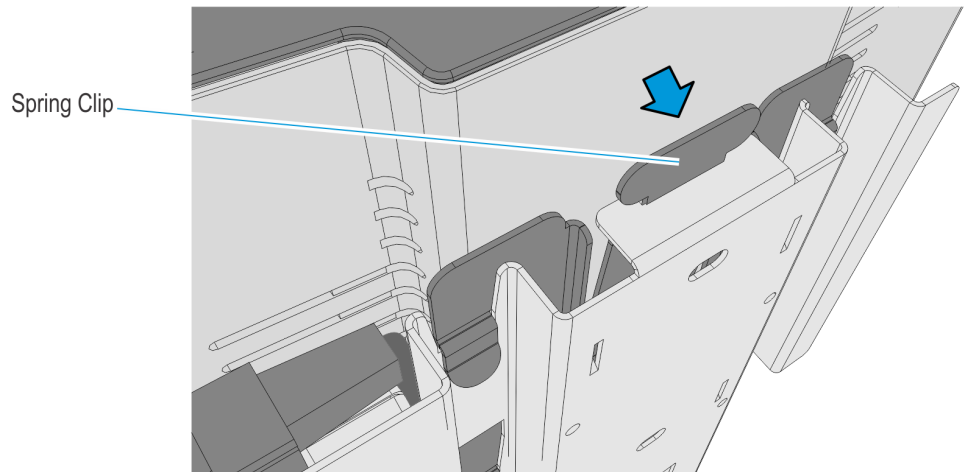
60569

7. Install the terminal head to the wall.
 - a. Hook the wall mount plate to the wall mount bracket on the wall.



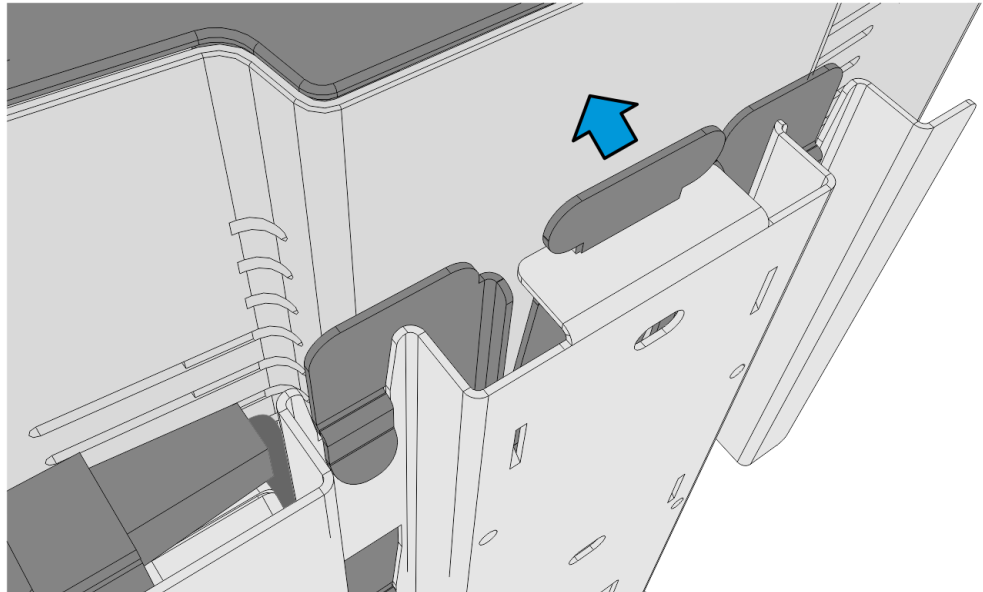
60570

- b. To ensure that the latch is engaged, press on the spring clip in the direction indicated below.



60571

- c. To remove the terminal head from the wall mount, press on the spring clip and pull the terminal head upwards.



60577



Note: Additional hardware is provided for a wall mount with a third-party VESA mounting arm.