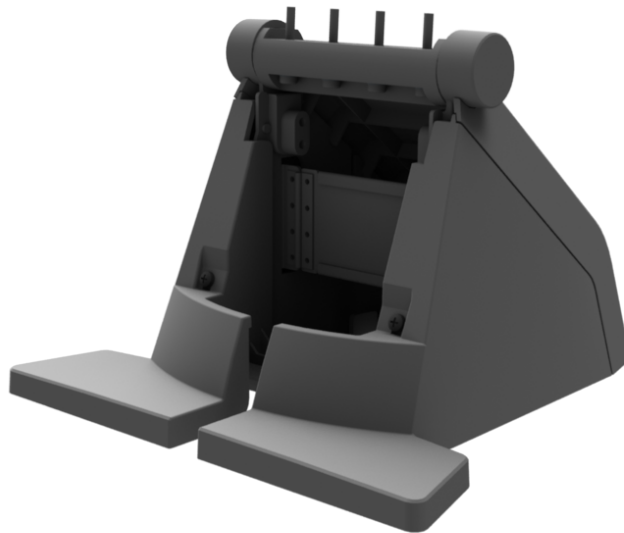


KIT INSTRUCTIONS

Table Top Tilt Stand

Release 1.0



7734-K170
Issue A



The product described in this document is a licensed product of NCR Corporation.

NCR is a registered trademark of NCR Corporation. Product names mentioned in this publication may be trademarks or registered trademarks of their respective companies and are hereby acknowledged.

The terms HDMI and HDMI High-Definition Multimedia Interface, and the HDMI Logo are trademarks or registered trademarks of HDMI Licensing LLC in the United States and other countries.

Where creation of derivative works, modifications or copies of this NCR copyrighted documentation is permitted under the terms and conditions of an agreement you have with NCR, NCR's copyright notice must be included.

It is the policy of NCR Corporation (NCR) to improve products as new technology, components, software, and firmware become available. NCR, therefore, reserves the right to change specifications without prior notice.

All features, functions, and operations described herein may not be marketed by NCR in all parts of the world. In some instances, photographs are of equipment prototypes. Therefore, before using this document, consult with your NCR representative or NCR office for information that is applicable and current.

To maintain the quality of our publications, we need your comments on the accuracy, clarity, organization, and value of this book. Please use the link below to send your comments.

Email: FD230036@ncr.com

Copyright © 2017
By NCR Corporation
Duluth, GA U.S.A.
All Rights Reserved

Revision Record

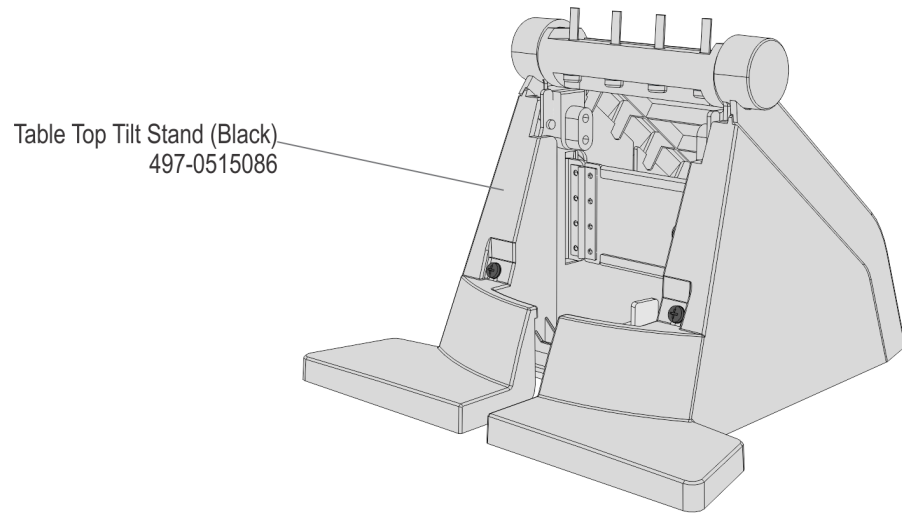
Issue	Date	Remarks
A	Apr 2017	First Issue

Table Top Tilt Stand

Introduction

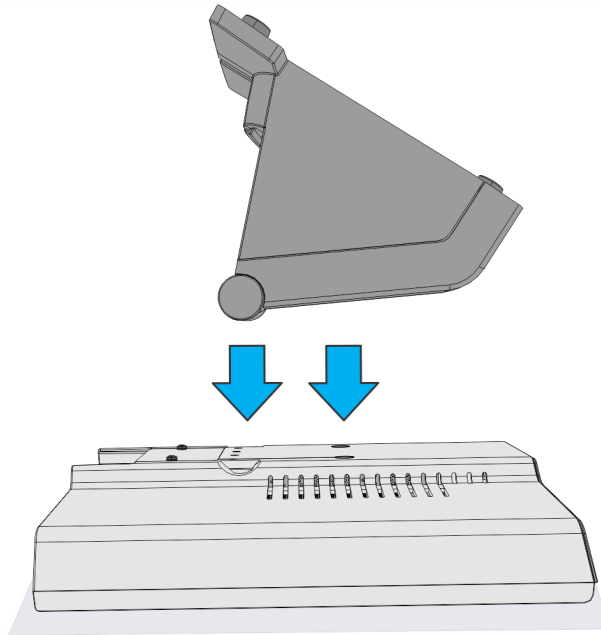
This kit provides a Table Top Tilt Stand for the P1532 POS (7734).

Kit Content



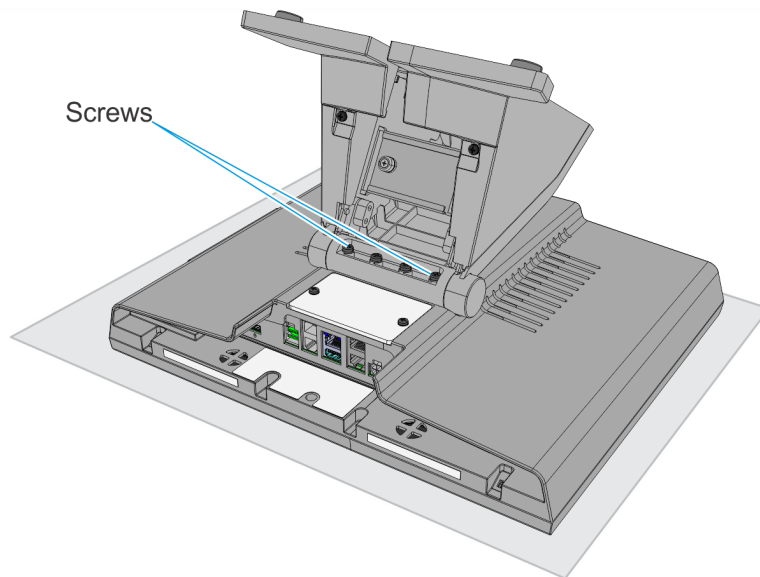
Installation Procedure

1. Place the Table Top Tilt Stand on top of the display assembly.



61799

2. Secure the Table Top Tilt Stand with M4 x 30 screws (4).



61768

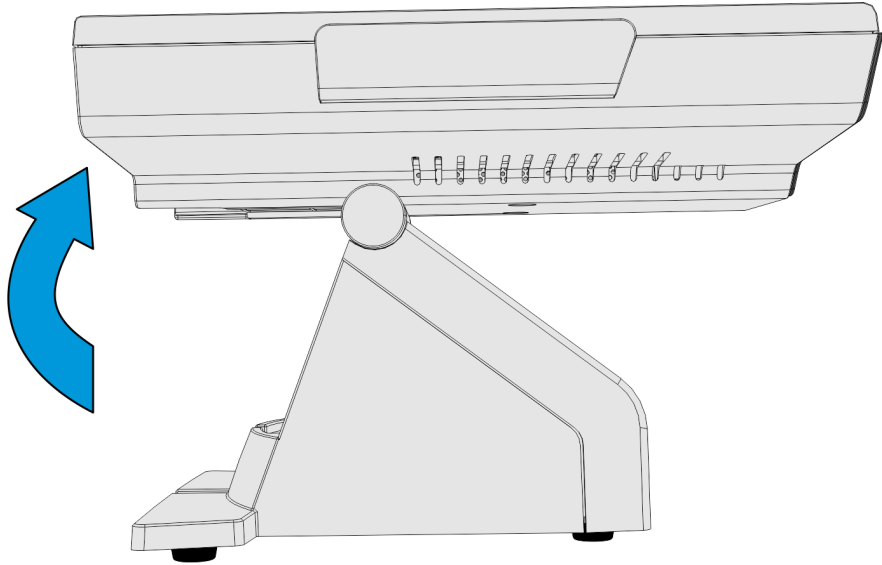
Installing the Power Supply



Caution: The P1532 terminal requires the NCR 19 V or 24 V power supply that is shipped with the terminal. Use of other power supply may cause damage to the unit. Do not connect or disconnect the 19 V or 24 V Power Cable from the terminal with the AC Power Cord still connected to an AC outlet.

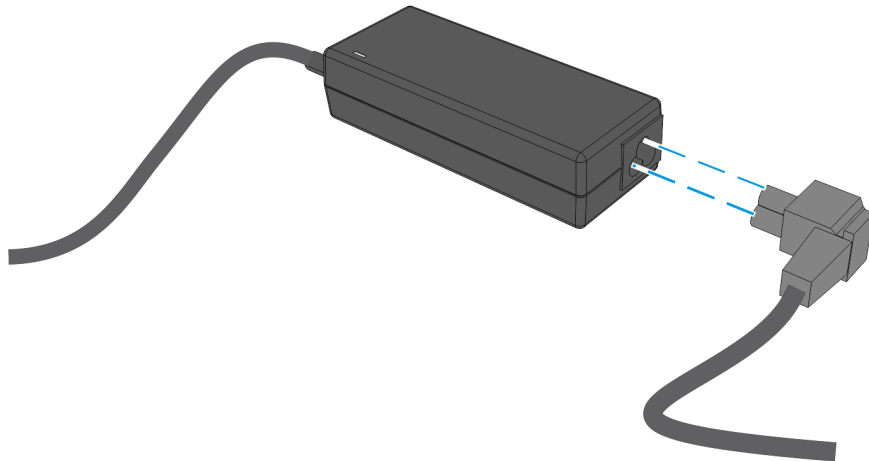
To install the 19V power supply inside the P1532 terminal, follow these steps:

1. Pivot the display toward the back.



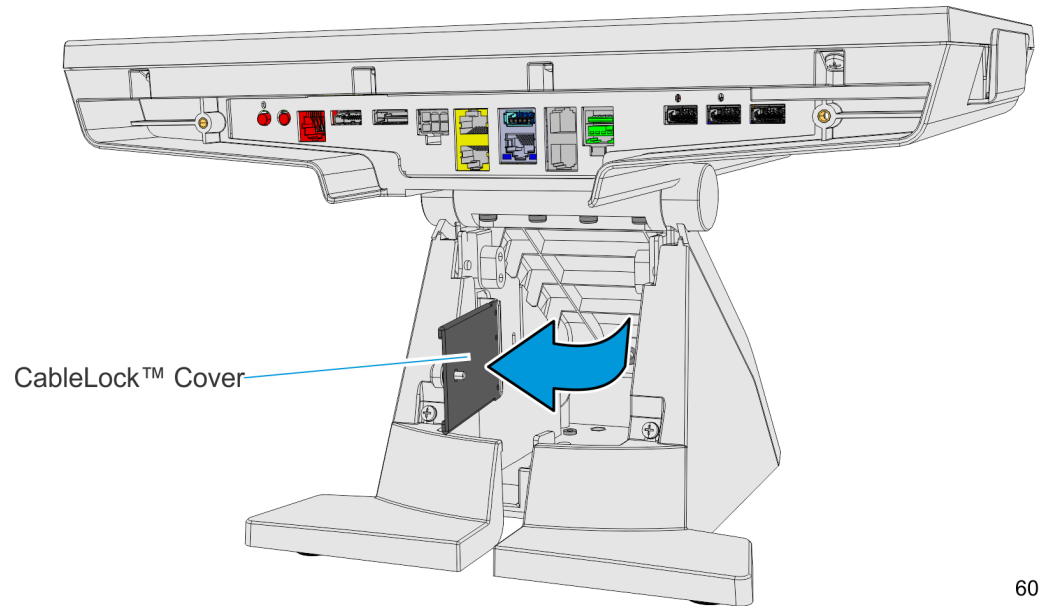
60553

2. Attach the AC power cord to the power brick.



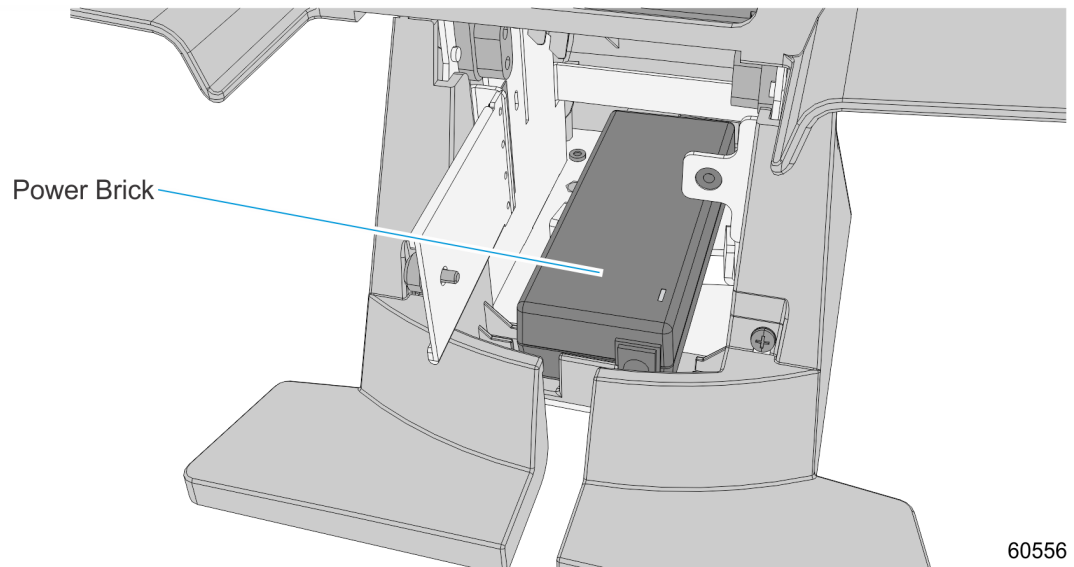
60554

3. Open the CableLock™ Cover.



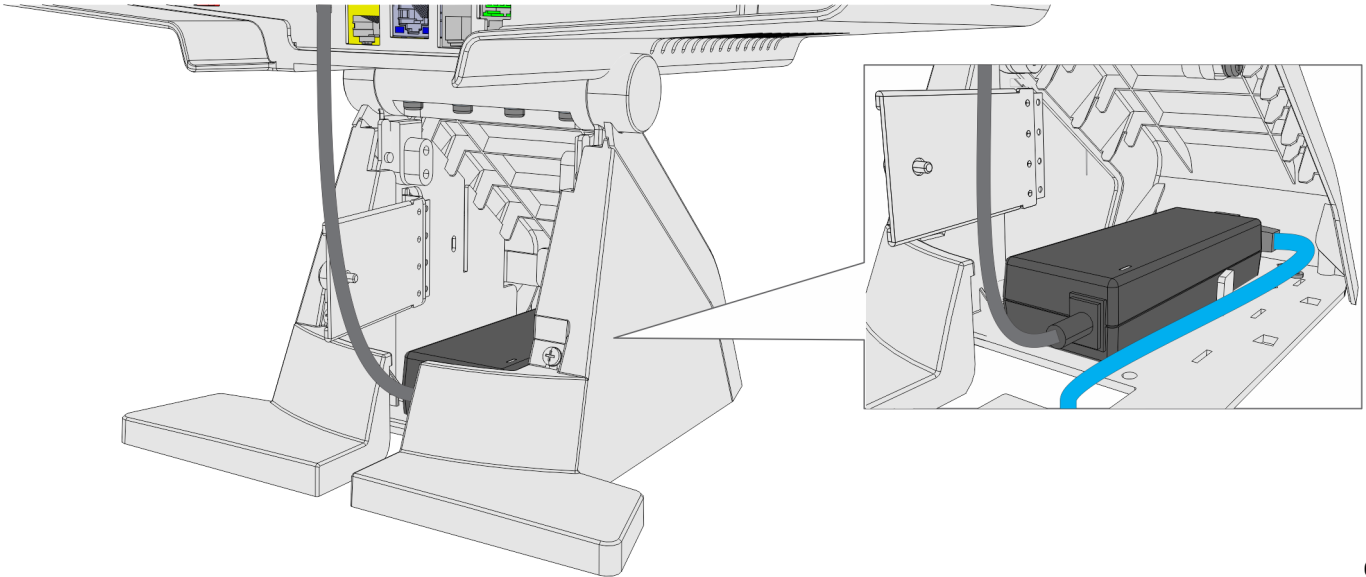
60555

4. Slide and install the power brick to the base. Ensure that the power brick's label is facing down.



60556

5. Route the AC power cord to the right of the power brick and then down the opening at the base of the terminal.



60557

6. Route the power cable up the stand and connect to the **Power In** port.
7. Close the CableLock Cover and tighten thumbscrew to secure cover.
8. Connect the AC power cord to an AC outlet.