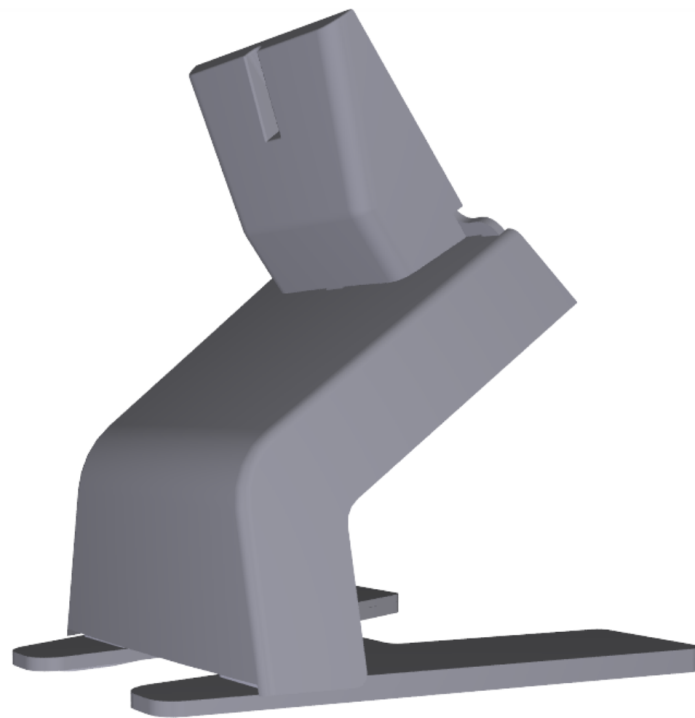


KIT INSTRUCTIONS

P1532 Counter Mount for Black C730

Release 1.0



5934-K311
Issue A



The product described in this document is a licensed product of NCR Corporation.

NCR is a registered trademark of NCR Corporation. Product names mentioned in this publication may be trademarks or registered trademarks of their respective companies and are hereby acknowledged.

The terms HDMI and HDMI High-Definition Multimedia Interface, and the HDMI Logo are trademarks or registered trademarks of HDMI Licensing LLC in the United States and other countries.

Where creation of derivative works, modifications or copies of this NCR copyrighted documentation is permitted under the terms and conditions of an agreement you have with NCR, NCR's copyright notice must be included.

It is the policy of NCR Corporation (NCR) to improve products as new technology, components, software, and firmware become available. NCR, therefore, reserves the right to change specifications without prior notice.

All features, functions, and operations described herein may not be marketed by NCR in all parts of the world. In some instances, photographs are of equipment prototypes. Therefore, before using this document, consult with your NCR representative or NCR office for information that is applicable and current.

To maintain the quality of our publications, we need your comments on the accuracy, clarity, organization, and value of this book. Please use the link below to send your comments.

Email: FD230036@ncr.com

Copyright © 2016
By NCR Corporation
Duluth, GA U.S.A.
All Rights Reserved

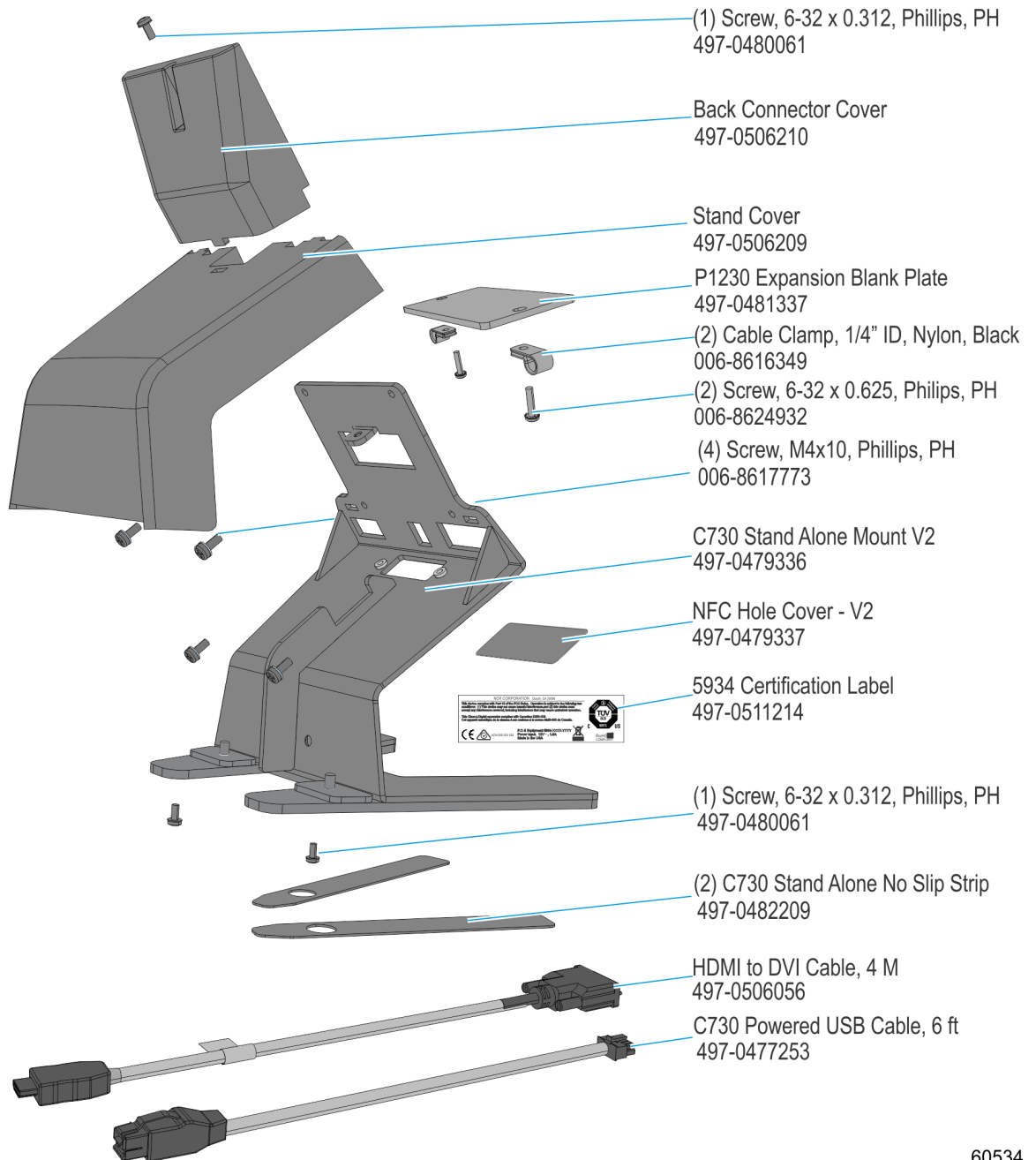
Revision Record

Issue	Date	Remarks
A	Apr 2016	First Issue

Counter Mount for Black C730

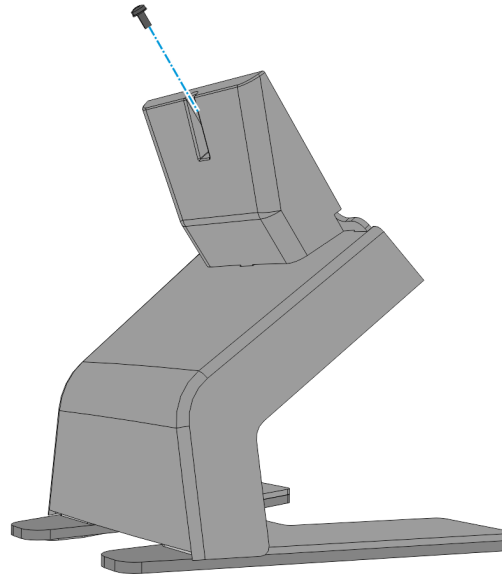
Introduction

This kit provides a counter mount for a black C730 customer display with Powered USB and DVI - HDMI cables when integrated to the P1532 POS (7734).



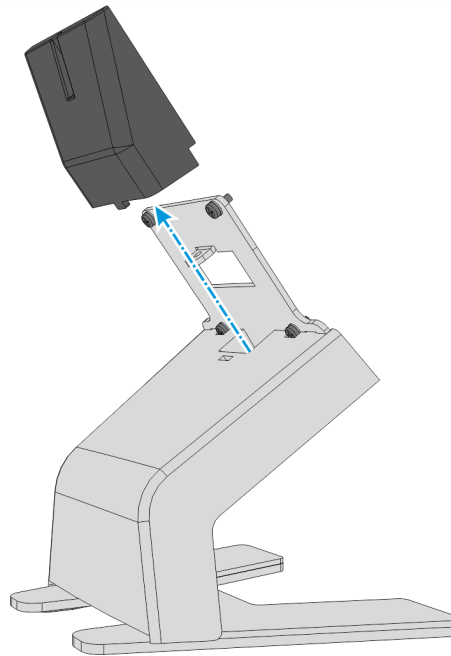
Installation Procedure

1. Loosen the screw (1).



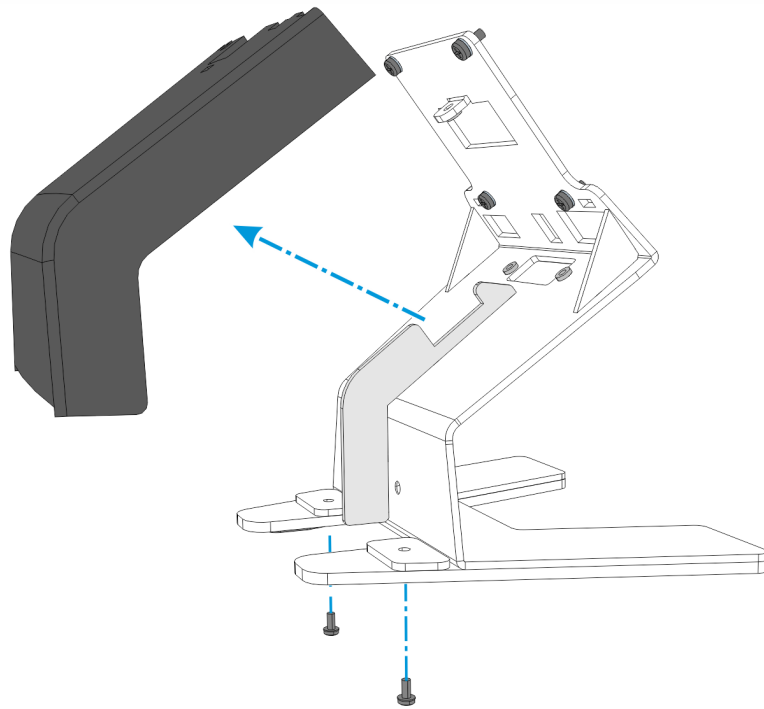
60528

2. Remove the Back Connector Cover.



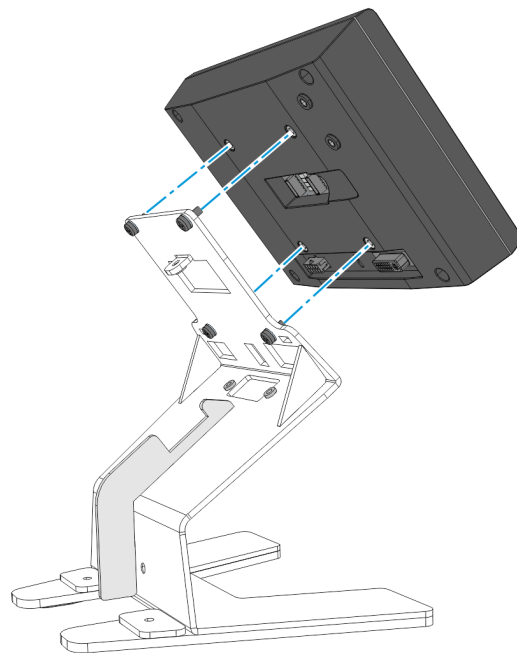
60529

3. Remove the screws (2) and the Stand Cover.



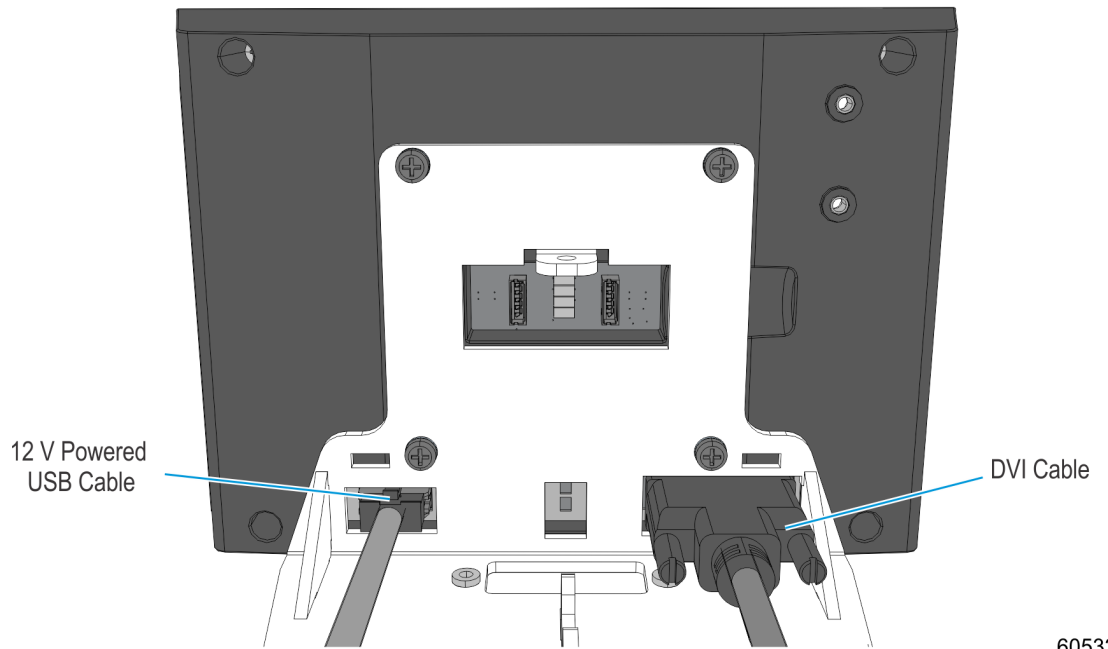
60530

4. Attach the black C730 customer display to the stand. Tighten the screws (4).



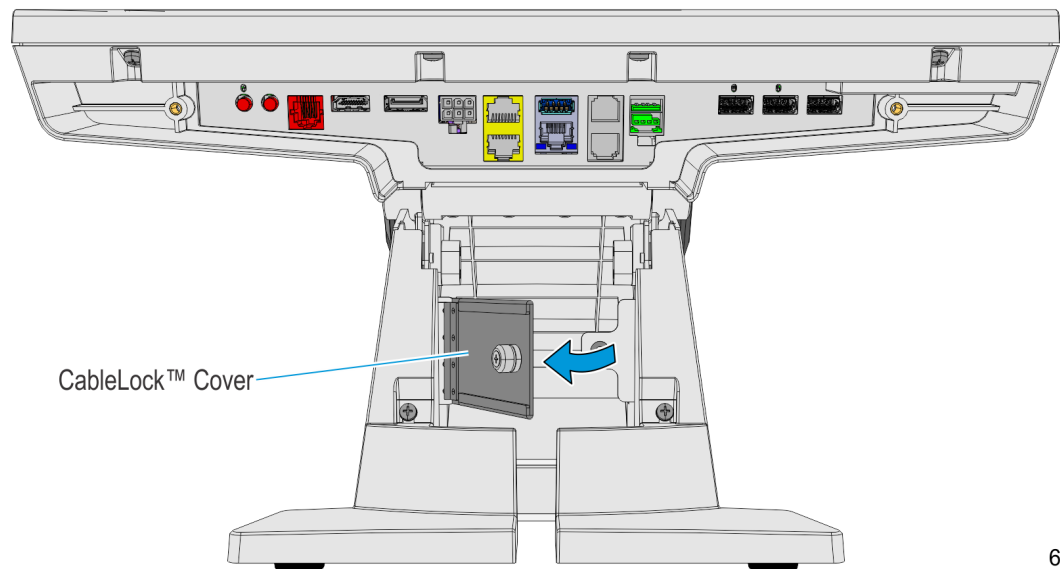
60531

5. Plug in the DVI and the 12 V Powered USB cables into the dedicated ports.



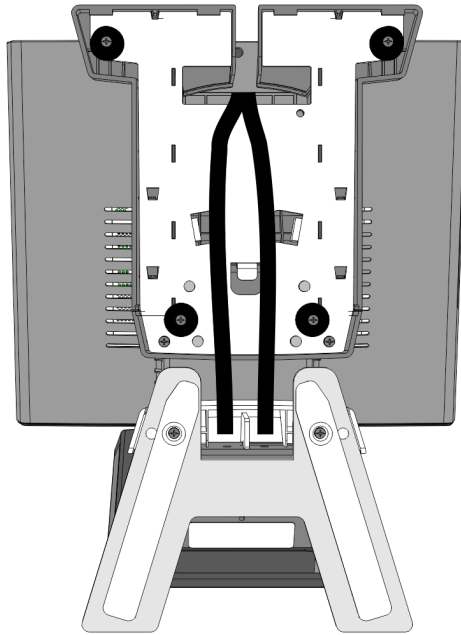
60532

6. Replace the Stand Cover and secure with the screw (1).
7. Replace the Back Connector Cover and secure with the screws (2).
8. Loosen the thumbscrew and open the CableLock™ Cover.



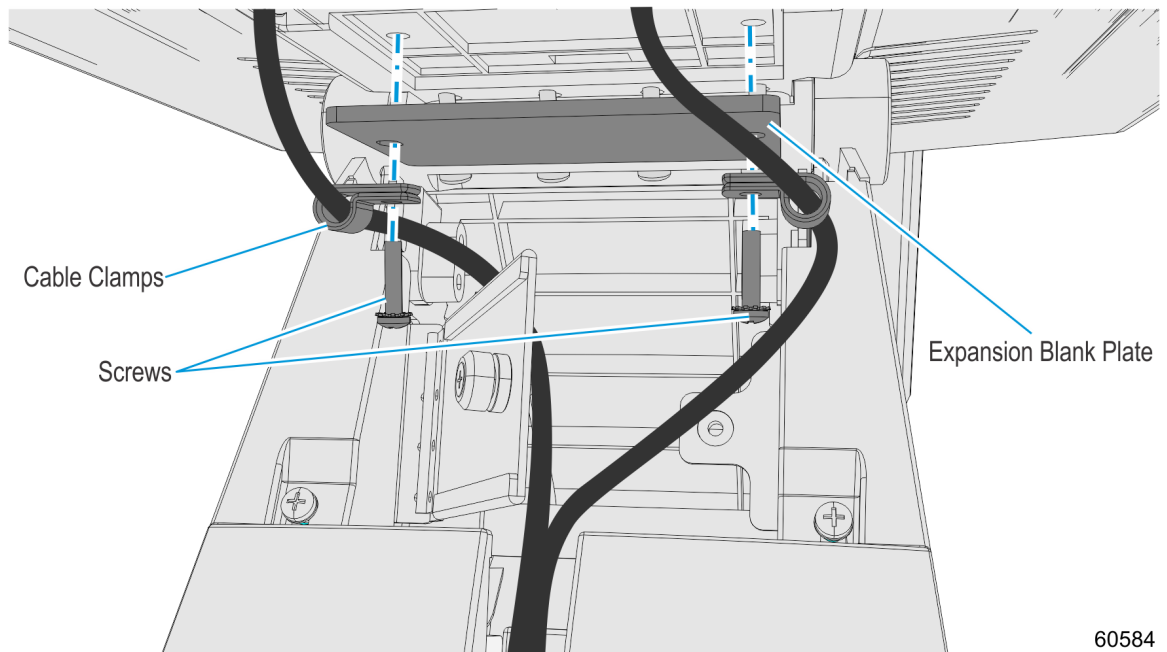
60583

9. Route the cables under the stand and up through the CableLock™ Cover.



60533

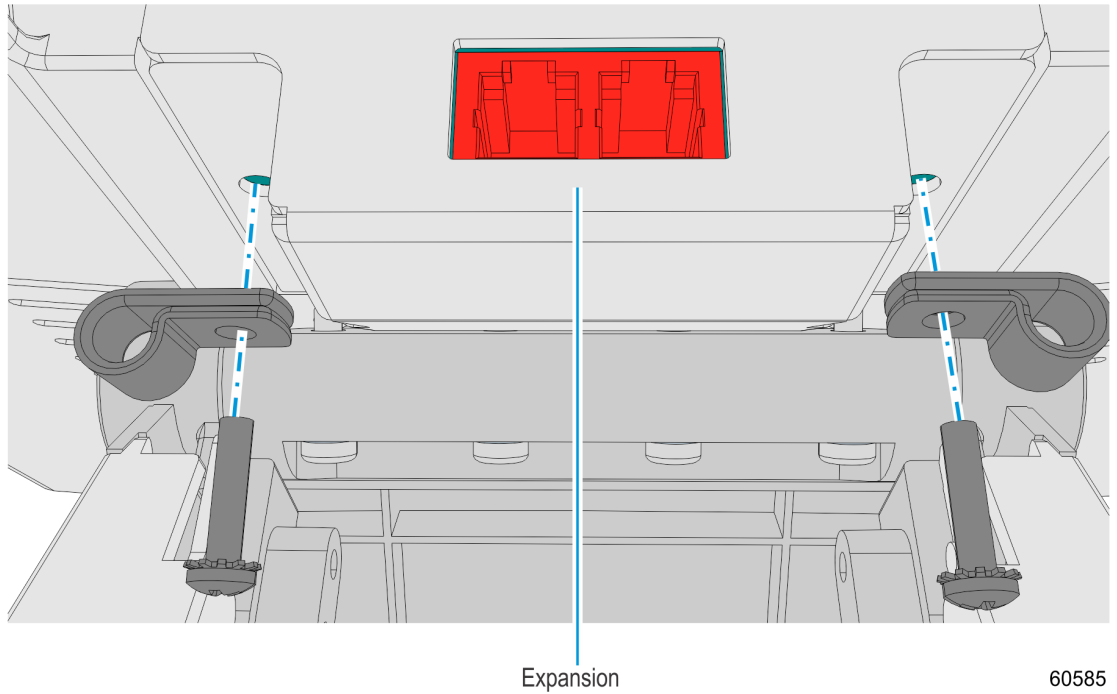
10. Route the cables into the cable clamps. Install the expansion blank plate and cable clamps (2) and secure with screws (2).



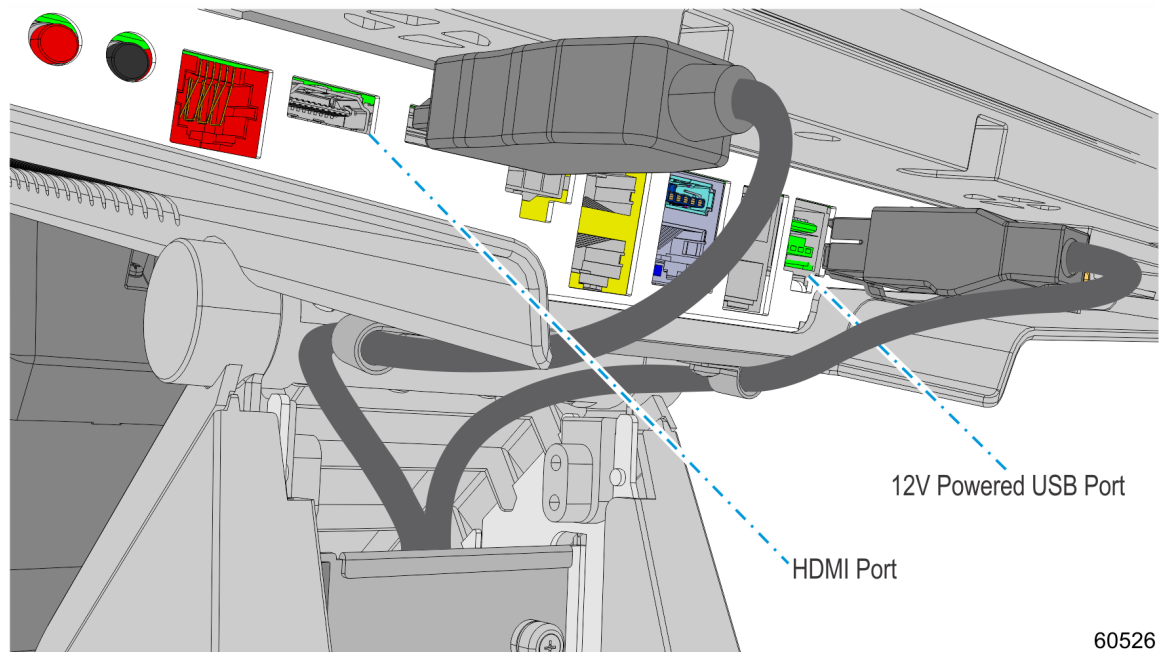
60584



Note: If the POS includes an expansion, install the cable clamps under the expansion and secure with screws (2).



11. Close and secure the CableLock™ Cover with a thumbscrew.
12. Connect the cables to the HDMI and 12 V Powered USB ports.



Note: Ensure that the USB cables do not hang loose. Adjust the cables into the cable clamps as needed.