

KIT INSTRUCTIONS

12" Pole Mount for C730/XD10

Release 1.0



5934-K020
Issue A



The product described in this document is a licensed product of NCR Corporation.

NCR is a registered trademark of NCR Corporation. Product names mentioned in this publication may be trademarks or registered trademarks of their respective companies and are hereby acknowledged.

The terms HDMI and HDMI High-Definition Multimedia Interface, and the HDMI Logo are trademarks or registered trademarks of HDMI Licensing LLC in the United States and other countries.

Where creation of derivative works, modifications or copies of this NCR copyrighted documentation is permitted under the terms and conditions of an agreement you have with NCR, NCR's copyright notice must be included.

It is the policy of NCR Corporation (NCR) to improve products as new technology, components, software, and firmware become available. NCR, therefore, reserves the right to change specifications without prior notice.

All features, functions, and operations described herein may not be marketed by NCR in all parts of the world. In some instances, photographs are of equipment prototypes. Therefore, before using this document, consult with your NCR representative or NCR office for information that is applicable and current.

To maintain the quality of our publications, we need your comments on the accuracy, clarity, organization, and value of this book. Please use the link below to send your comments.

Email: FD230036@ncr.com

Copyright © 2017
By NCR Corporation
Duluth, GA U.S.A.
All Rights Reserved

Revision Record

Issue	Date	Remarks
A	Mar 2017	First Issue

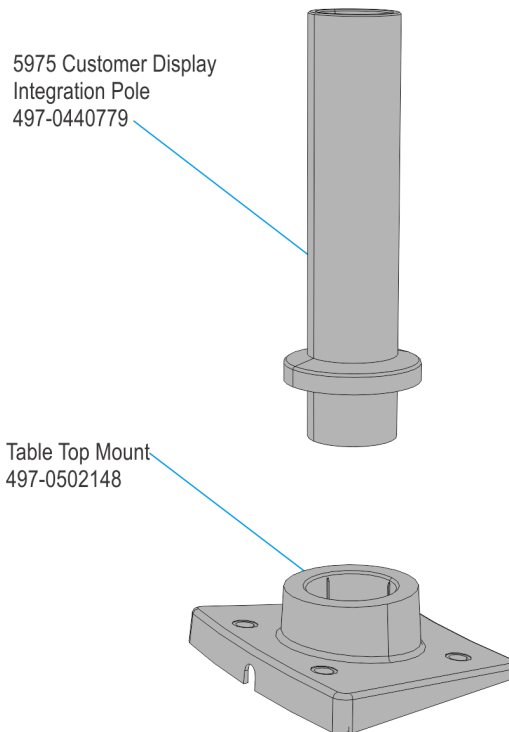
12" Pole Mount for C730/XD10

Introduction

This kit provides the components to install a 12" pole mount to a C730 or 10.4 X-Series Display (XD10). At least one of the following Display PIDs must be ordered for this kit:

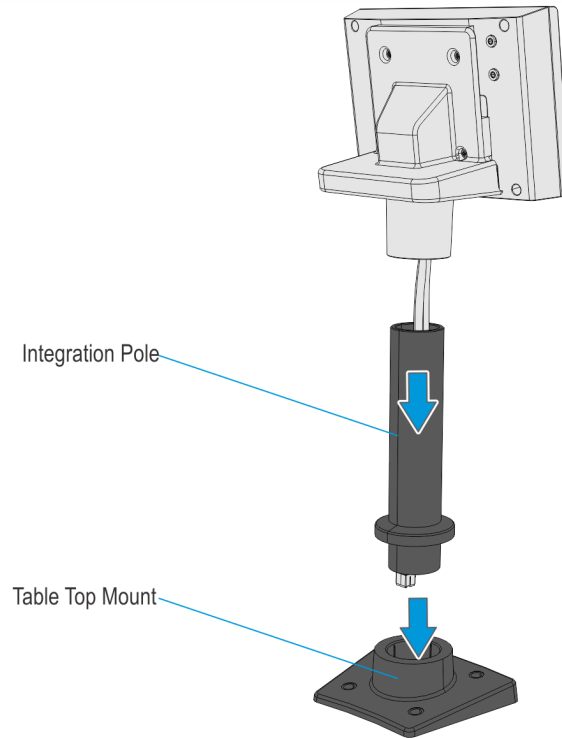
PID	Description
5934-0419-8801	C730 No Touch, No MSR, Black, for Pole Mount
5934-0420-8801	C730 No Touch, No MSR, Black, with Scanner, for Pole Mount
5985-1010-0003	X-Series 10.4" Display XB, 4m Powered USB Cable; 4m Display Port Cable; No Stand, for pole mount

Kit Content

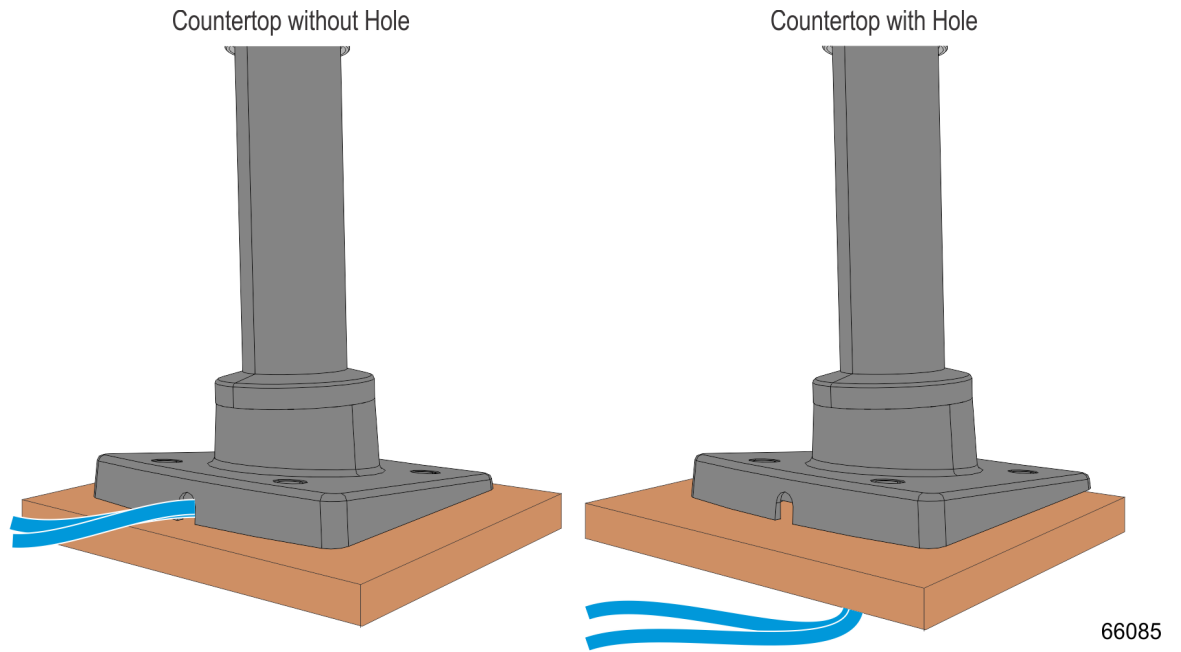



Installation Procedure

1. Route the cables through the Integration Pole. Secure the Integration Pole to the pole mount assembly.



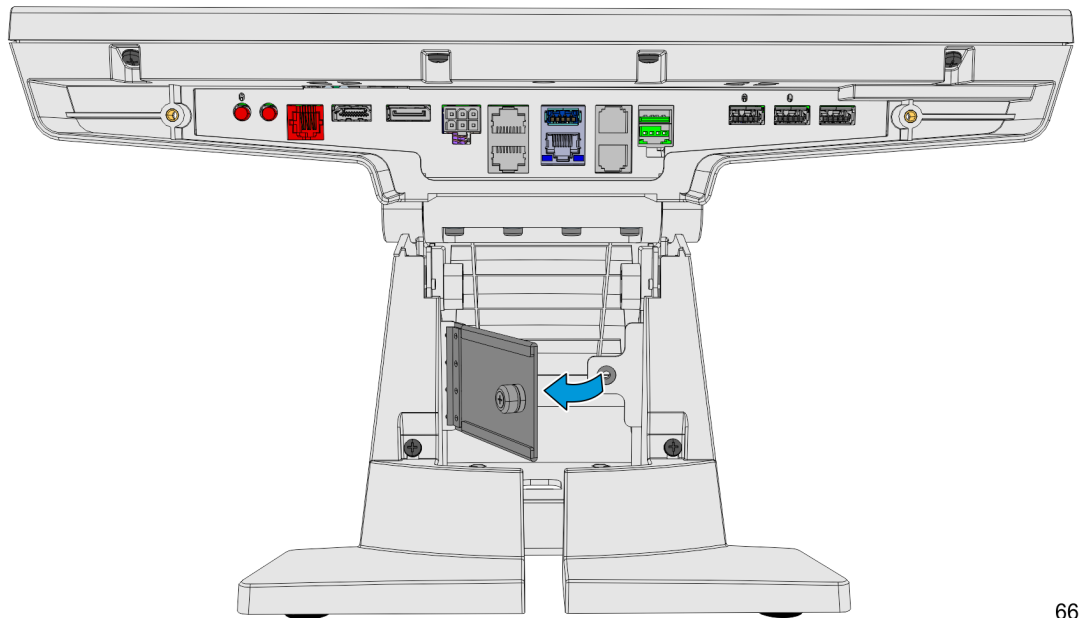
2. Route the cables through the Table Top Mount.



3. Secure the Table Top Mount to the countertop or integration tray with screws (4).
-  **Note:** The screws (4) are not included in the kit.
4. Route the cables through the POS stand and connect the cables to the corresponding ports on the POS terminal.

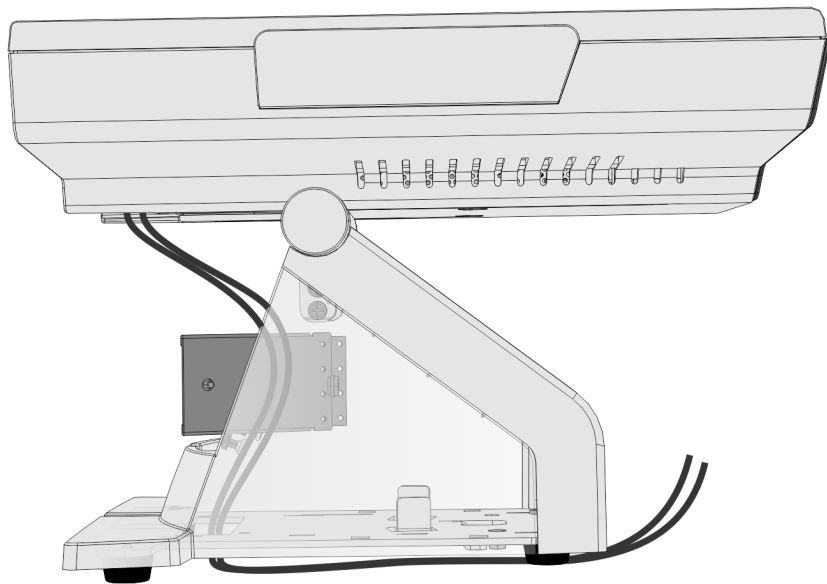
7734 Cable Routing

1. Loosen the thumbscrew and Open the CableLock Cover.



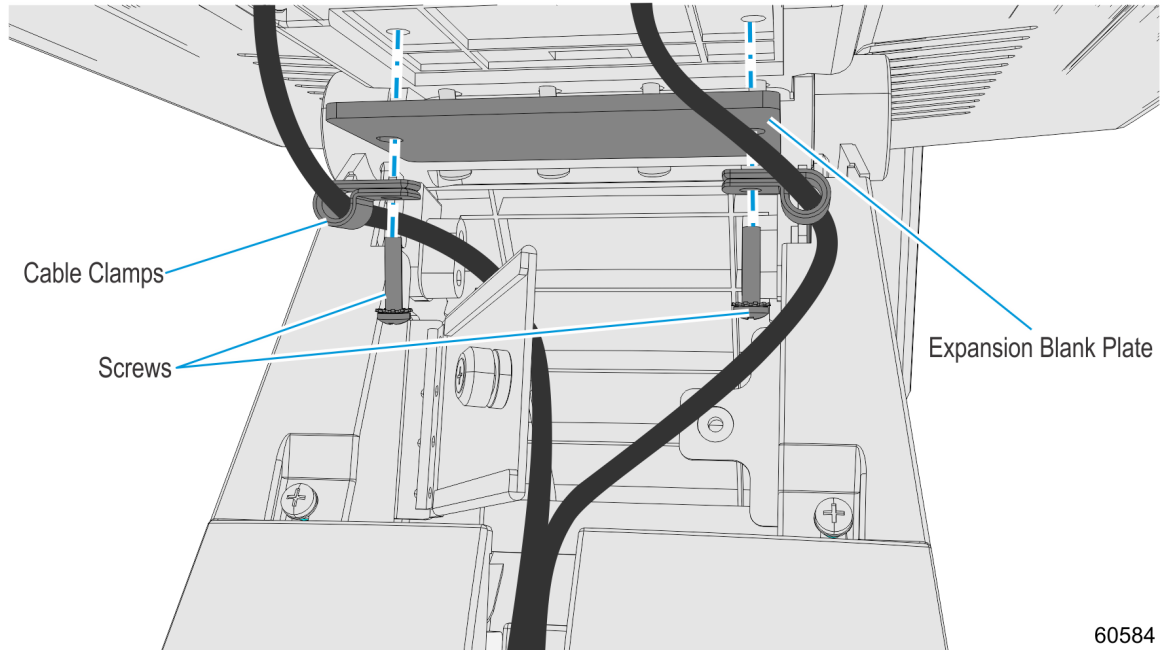
66020

2. Route the cables under the stand and up through the CableLock Cover.

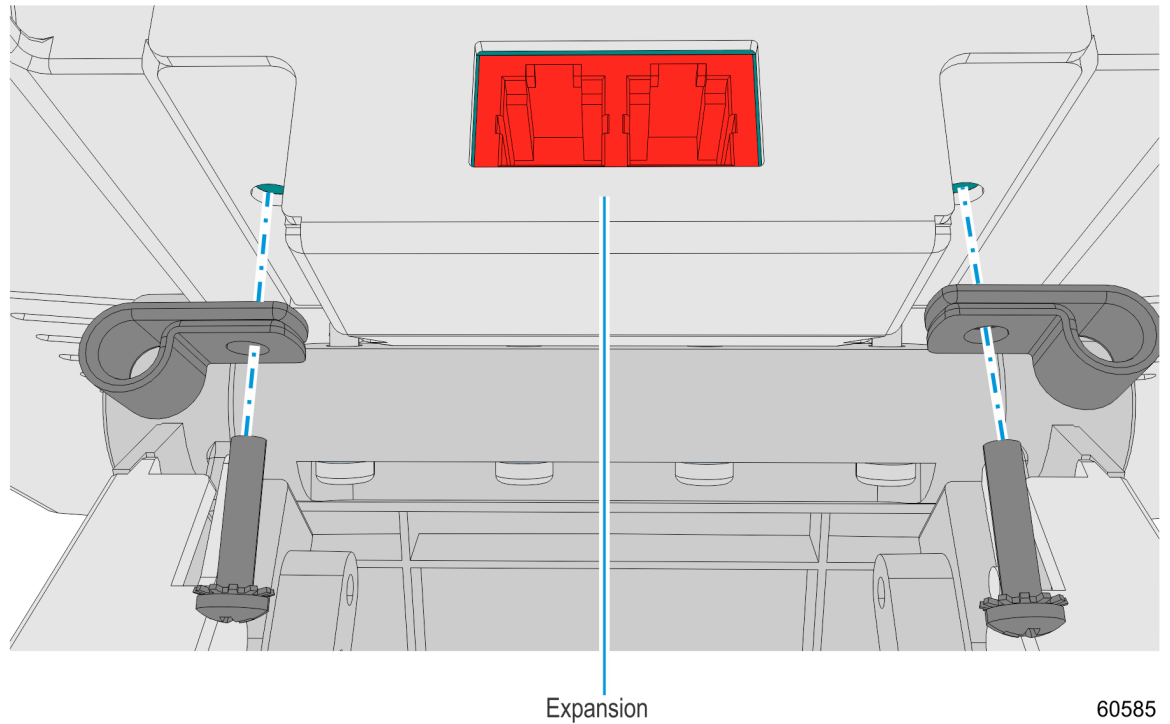


66021

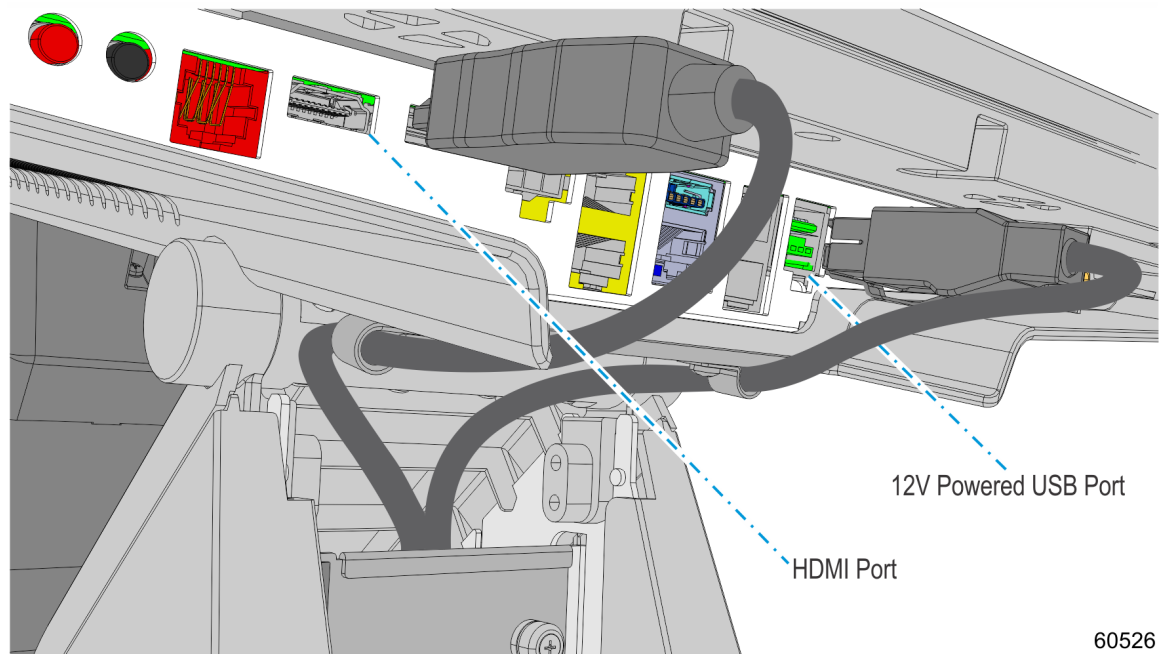
3. Route the cables into the cable clamps. Install the expansion blank plate and cable clamps (2) and secure with screws (2).



Note: If the POS includes an expansion, install the cable clamps under the expansion and secure with screws (2).



4. Connect the cables to the HDMI and 12V Powered USB ports.

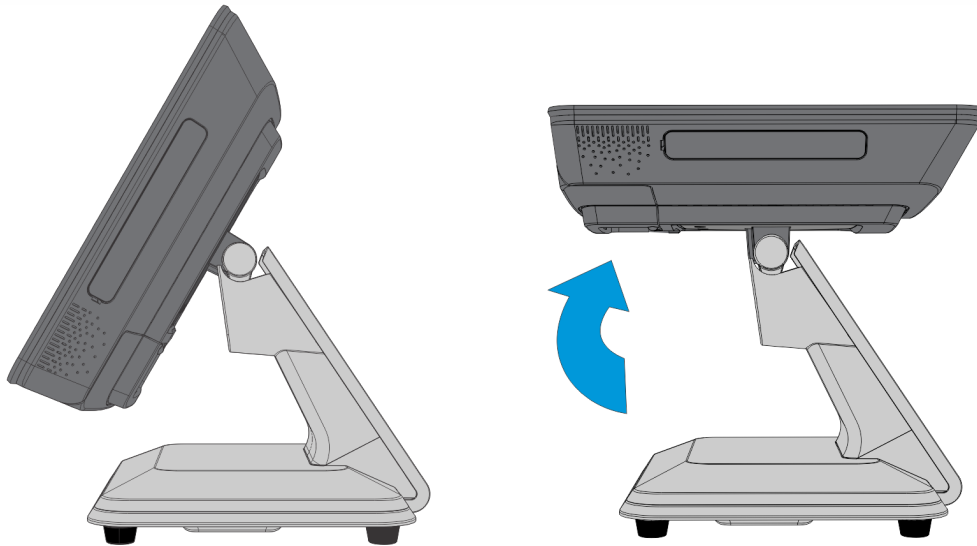


60526

5. Close and secure the CableLock Cover with the thumbscrew.

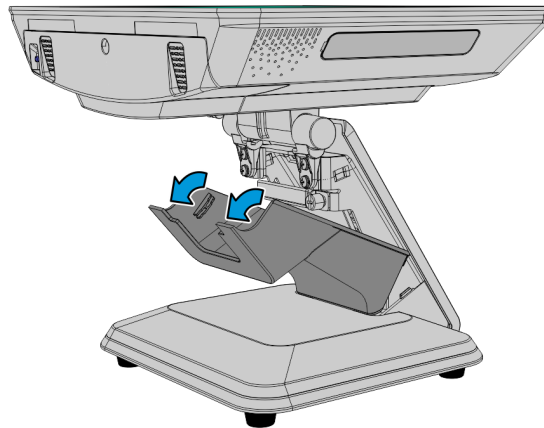
7761/7745 Cable Routing

1. Pivot the display toward the back.



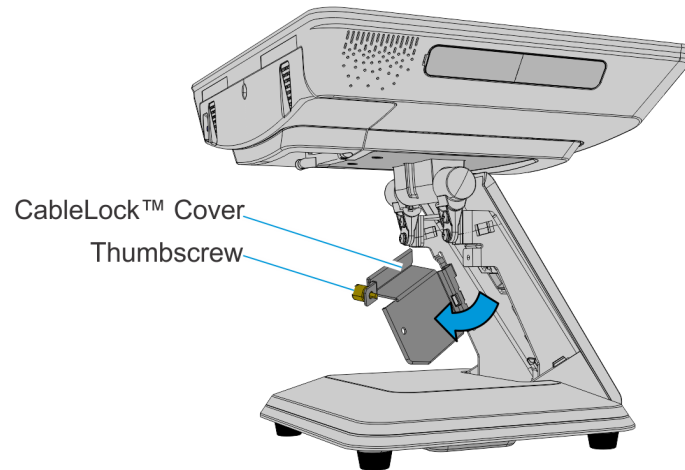
61031

2. Remove the Upper Stand Cover by pivoting it away from the stand. The cover has a simple snap fit connection at the top.



61032

3. Open the CableLock Cover by loosening the thumbscrew.

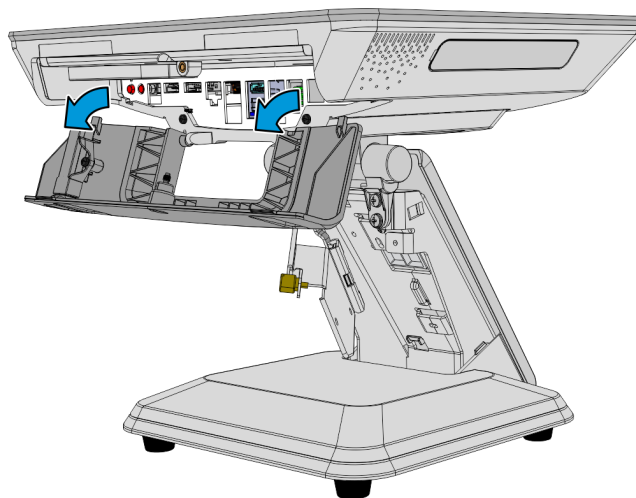


61033

4. Loosen the screw on the Terminal Cable Cover. To open, press down on the indentations in the Cable Cover to unlatch the cover and then pivot the cover open.



Note: Ensure that the screw is disengaged from the threads.

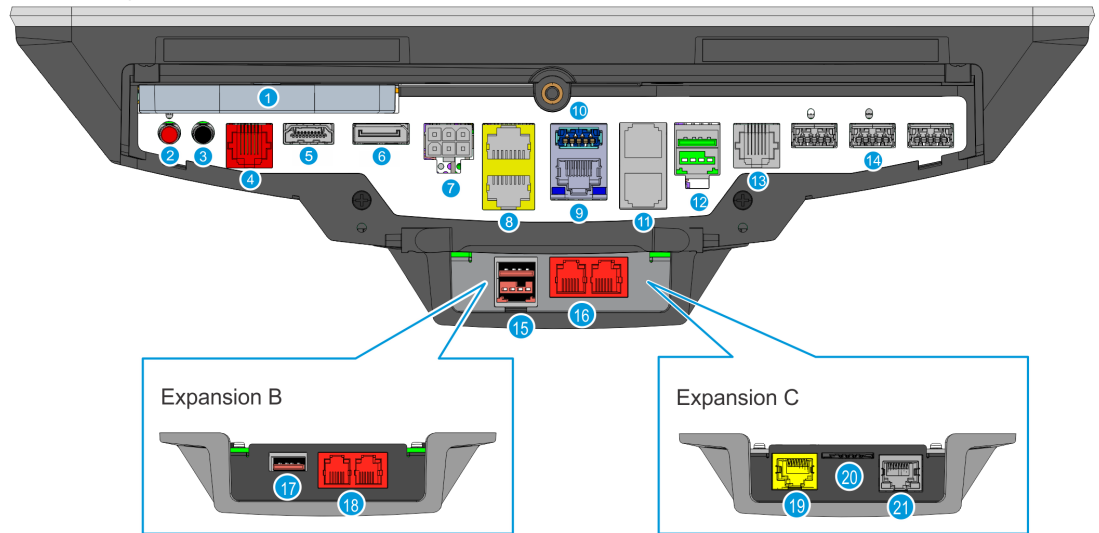


66080

5. Route the cables up through the opening in the base of the stand.

6. Connect the peripheral cables to the I/O Panel.

POS with Expansion A



1 – Removable SSD
 2 – Power Button
 3 – Recovery Button
 4 – RJ12 Cash Drawer
 5 – HDMI
 6 – Display Port
 7 – Power In

8 – RJ45 Serial Ports (2)
 9 – Ethernet Port
 10 – USB 3.0
 11 – RJ11 Serial Ports (2)
 12 – 12V Powered USB
 13 – RJ12 Serial Port
 14 – USB 3.0 (3)

15 – 24V Powered USB
 16 – RJ12 Serial Ports (2)
 17 – 5V USB
 18 – RJ12 Serial Ports (2)
 19 – RJ45 Serial Port
 20 – SIM Card Reader
 21 – RJ45 Power Over Ethernet PSE

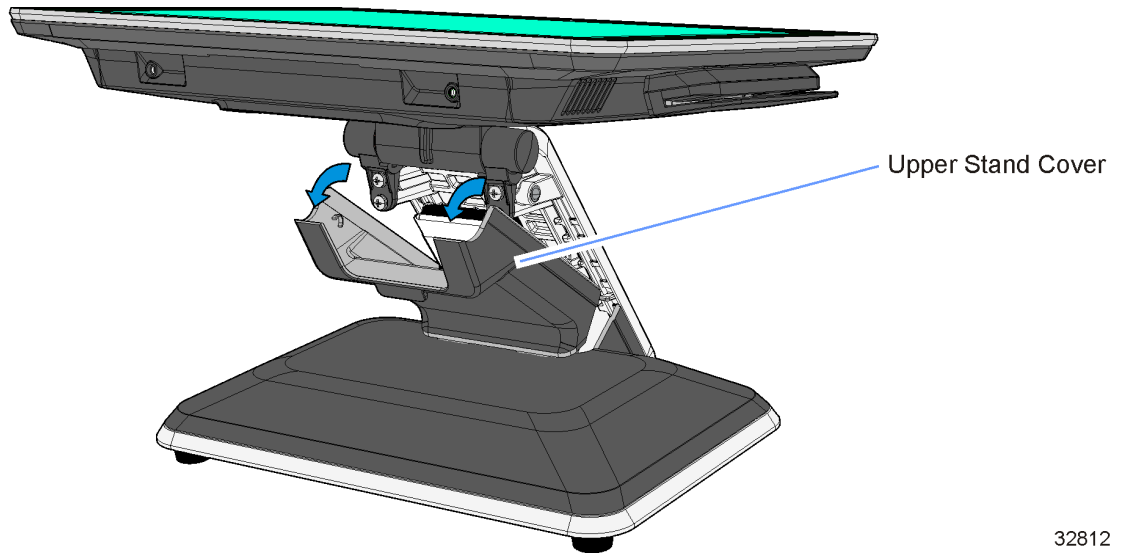
61029

7. Close the CableLock Cover and secure with thumbscrew.
8. Secure the Upper Stand Cover.
9. Close the Terminal Cover and secure with screw (1).

7702 Cable Routing

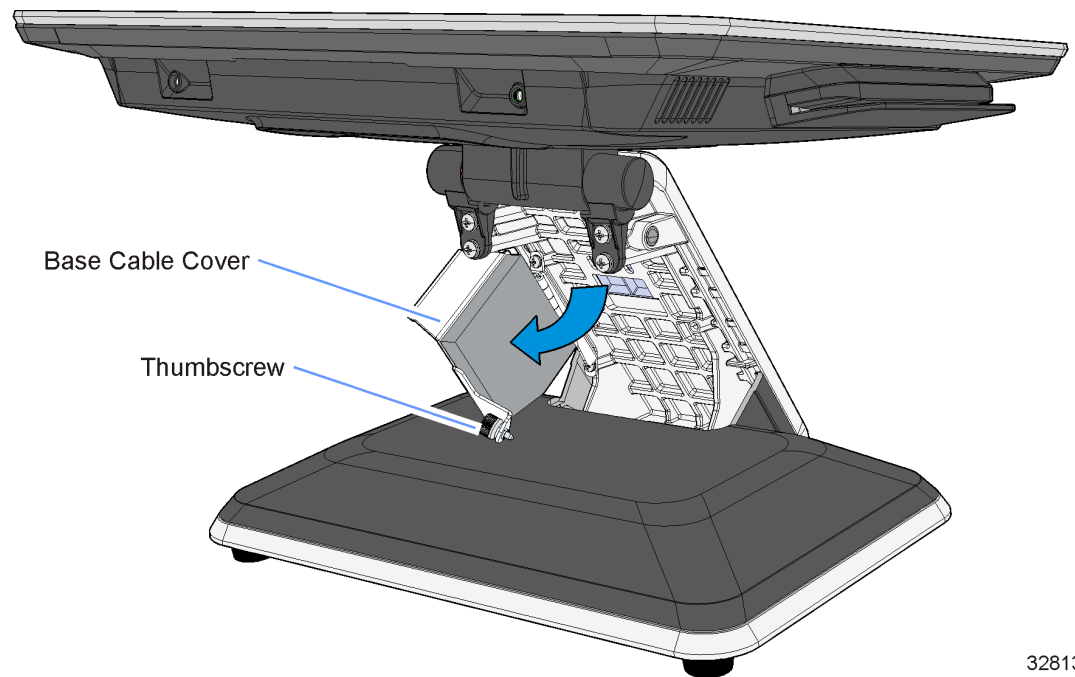
Cables are routed out the opening in the Cable Cover and down through the Table-Top Stand.

1. Remove the Upper Stand Cover by pivoting it away from the stand. The cover has a simple snap fit connection at the top.



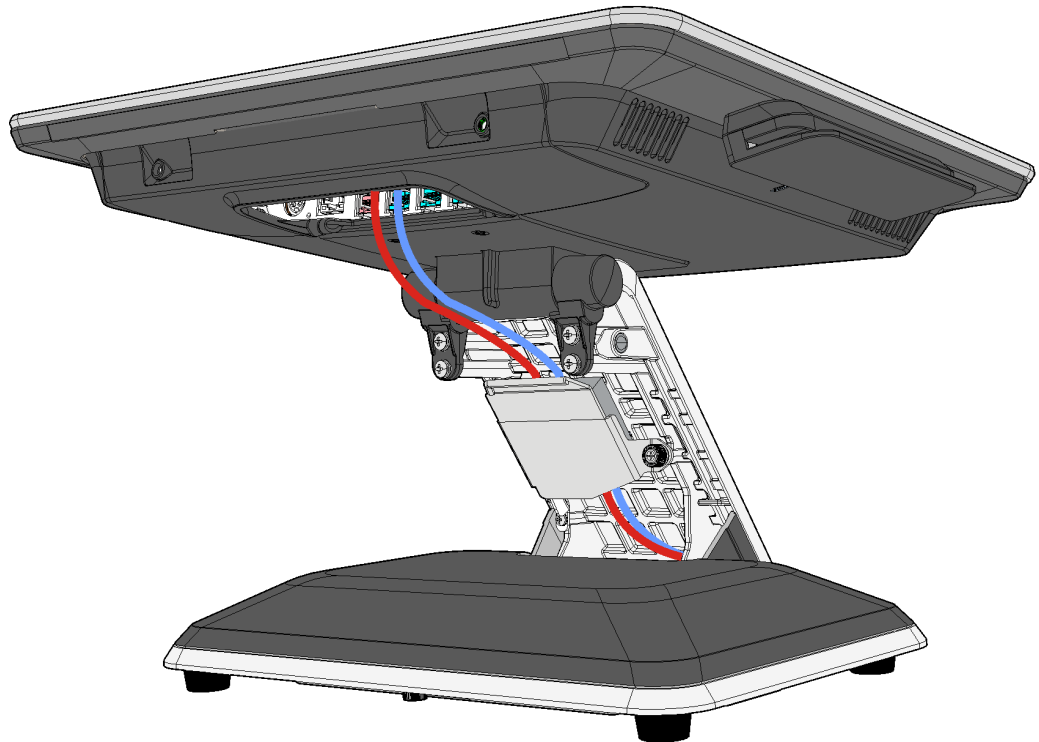
32812

2. Open the Base Cable Cover (thumb screw).



32813

3. Route the cables down through the opening in the Stand Base.

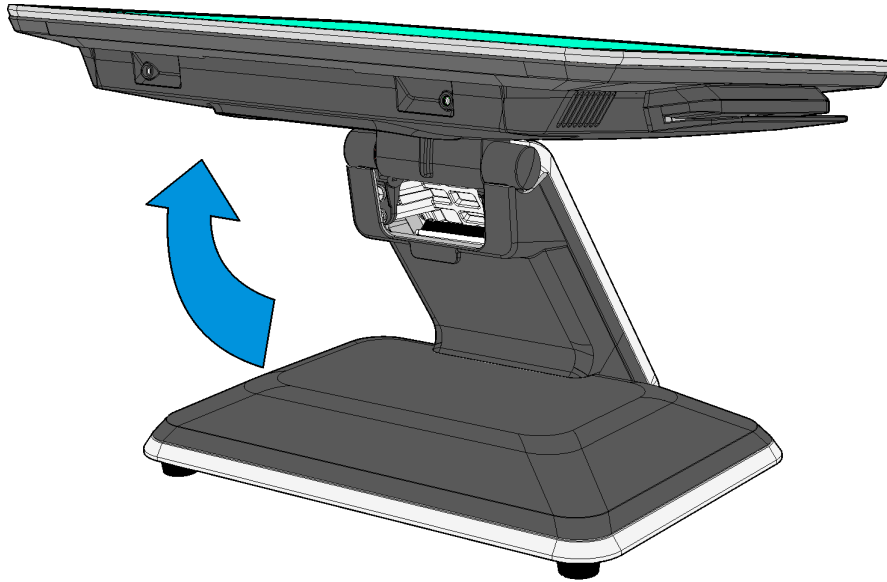


32814

4. Close the Base Stand Cover and secure it with the Thumb Screw.
5. Replace the Upper Stand Cover.

Connecting the 7702 Peripheral Cables

1. Unpack the terminal in the desired location.
2. Pivot the display toward the back.

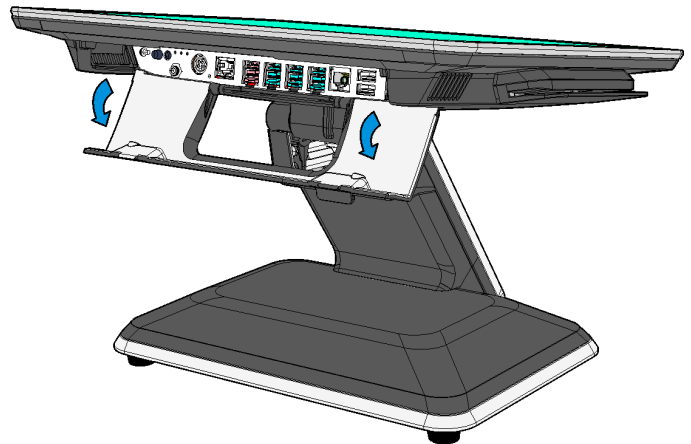
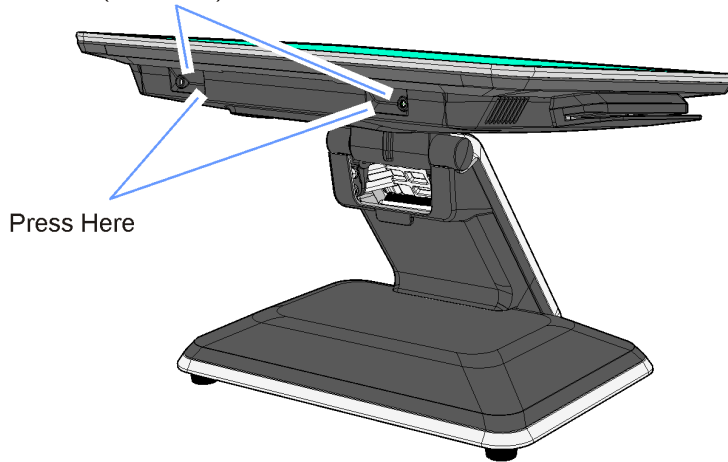


3. Open the Terminal Cable Cover. Press on the indentations in the Cable Cover to unlatch the cover and then pivot the cover open.



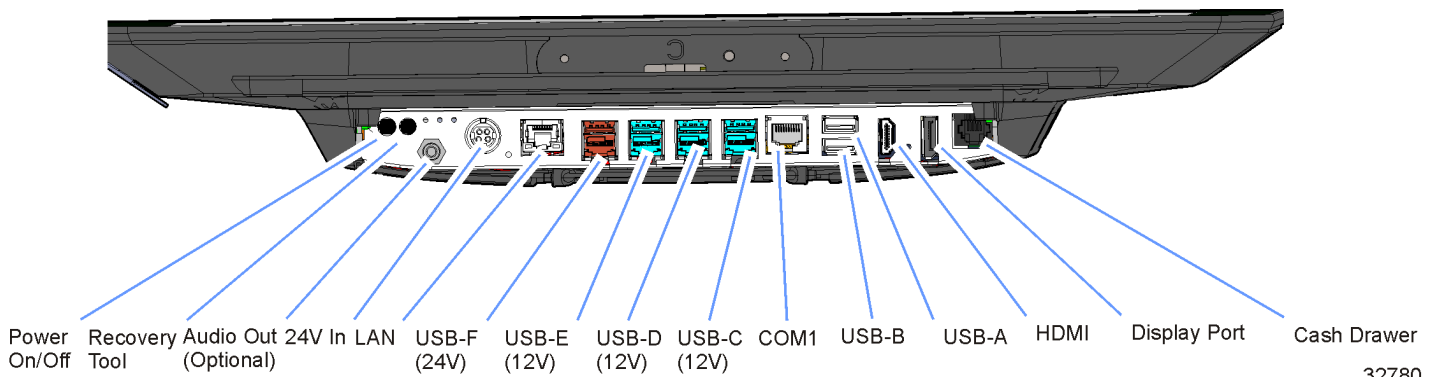
Note: If the unit has the Cable Cover Security Bracket installed you must also loosen the two captive screws before you can open the cover.

Captive Screw Locations
(If Present)



32811

4. Connect the peripheral cables to I/O Panel.



32780