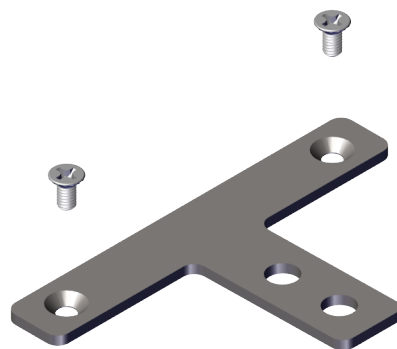




## Kit Instructions

### Bracket, Tabletop, 1607

---



1607-K001

Issue C

# Copyright

---

The product described in this document is a licensed product of NCR Voyix Corporation.

NCR XL55P Payment Display (1607) is a trademark of NCR Voyix Corporation in the United States and/or other countries. Other product names mentioned in this publication may be trademarks or registered trademarks of their respective companies and are hereby acknowledged.

Where creation of derivative works, modifications or copies of this NCR Voyix copyrighted documentation is permitted under the terms and conditions of an agreement you have with NCR Voyix, NCR Voyix's copyright notice must be included.

Disclaimer:

It is the policy of NCR Voyix Corporation to improve products as new technology, components, software, and firmware become available. NCR Voyix, therefore, reserves the right to change specifications without prior notice.

All features, functions, and operations described herein may not be marketed by NCR Voyix in all parts of the world. In some instances, photographs are of equipment prototypes. Therefore, before using this document, consult with your NCR Voyix representative or NCR Voyix office for information that is applicable and current.

Copyright © 2022–2024

By NCR Voyix Corporation

Atlanta, Georgia, USA

All Rights Reserved

# Revision Record

---

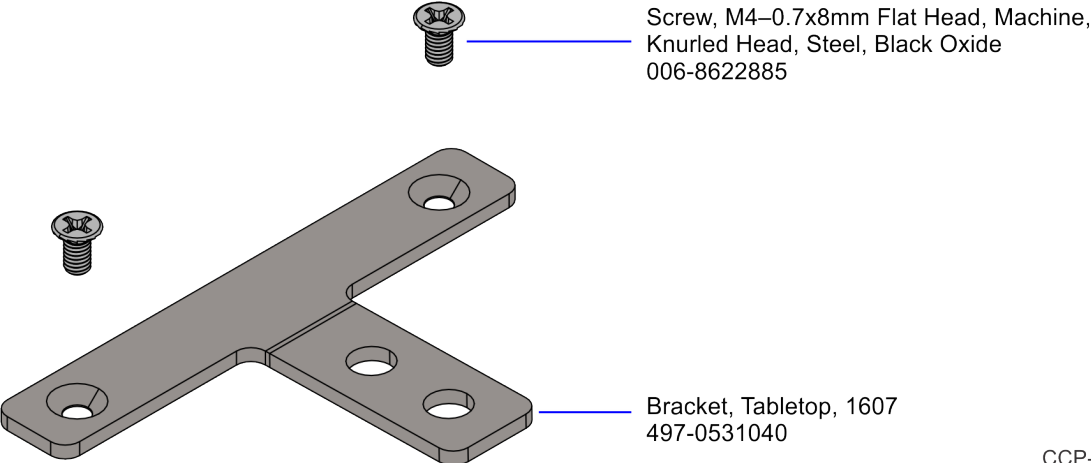
Issue	Date	Remarks
A	Jul 2022	First issue.
B	Mar 2024	Changed to Voyix template
C	May 2024	Updated copyright page

# Bracket, Tabletop, 1607

---

This kit provides a Bracket to mount the NCR XL55P Payment Display (1607) on a tabletop.

## Kit Contents

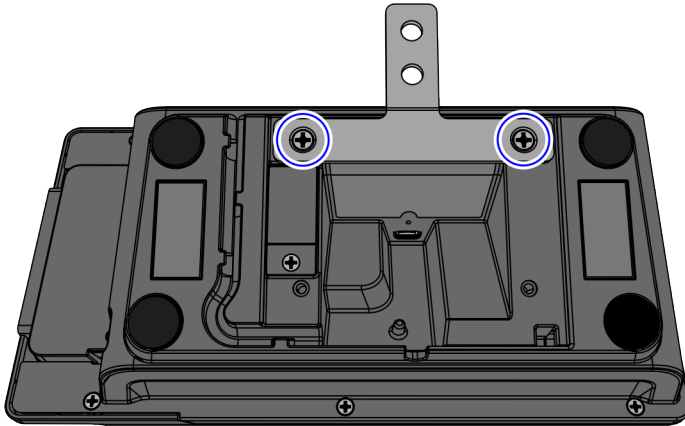


CCP-81560

Confidential and proprietary information of NCR Voyix Corporation.  
Unauthorized use, reproduction and/or distribution is strictly prohibited.

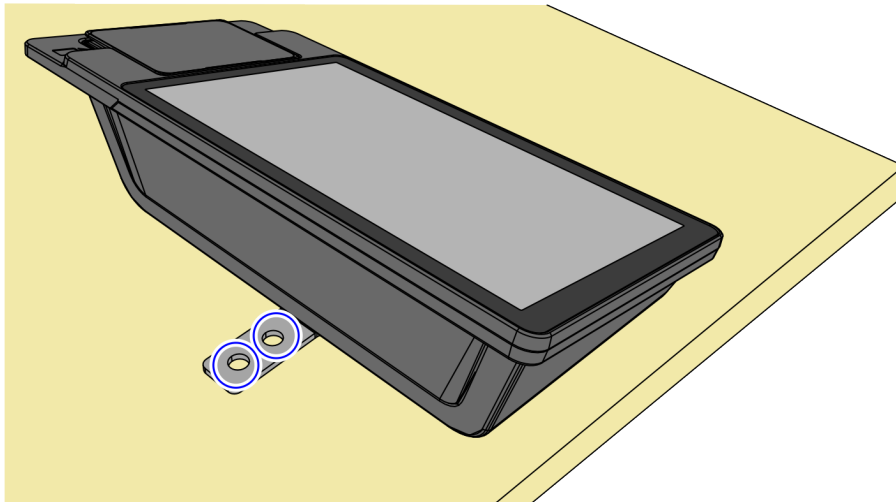
# Installation Procedure

1. Install the Bracket on the bottom of the XL55P Payment Display using two (2) screws.



CCP-81561

2. Install the Bracket on the tabletop using two (2) screws.



CCP-81562

Confidential and proprietary information of NCR Voyix Corporation.  
Unauthorized use, reproduction and/or distribution is strictly prohibited.