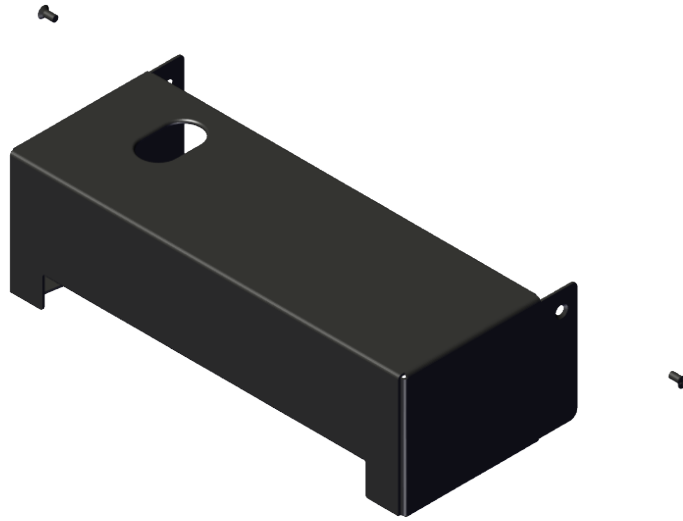


Kit Instructions

CX8 Cable Cover



7736-K903
Issue A



The product described in this document is a licensed product of NCR Corporation.

NCR is a registered trademark of NCR Corporation. Product names mentioned in this publication may be trademarks or registered trademarks of their respective companies and are hereby acknowledged.

Where creation of derivative works, modifications or copies of this NCR copyrighted documentation is permitted under the terms and conditions of an agreement you have with NCR, NCR's copyright notice must be included.

It is the policy of NCR Corporation (NCR) to improve products as new technology, components, software, and firmware become available. NCR, therefore, reserves the right to change specifications without prior notice.

All features, functions, and operations described herein may not be marketed by NCR in all parts of the world. In some instances, photographs are of equipment prototypes. Therefore, before using this document, consult with your NCR representative or NCR office for information that is applicable and current.

To maintain the quality of our publications, we need your comments on the accuracy, clarity, organization, and value of this book. Please use the link below to send your comments.

Email: FD230036@ncr.com

Copyright © 2023
By NCR Corporation
Global Headquarters
864 Spring St NW
Atlanta, GA 30308
U.S.A.
All Rights Reserved

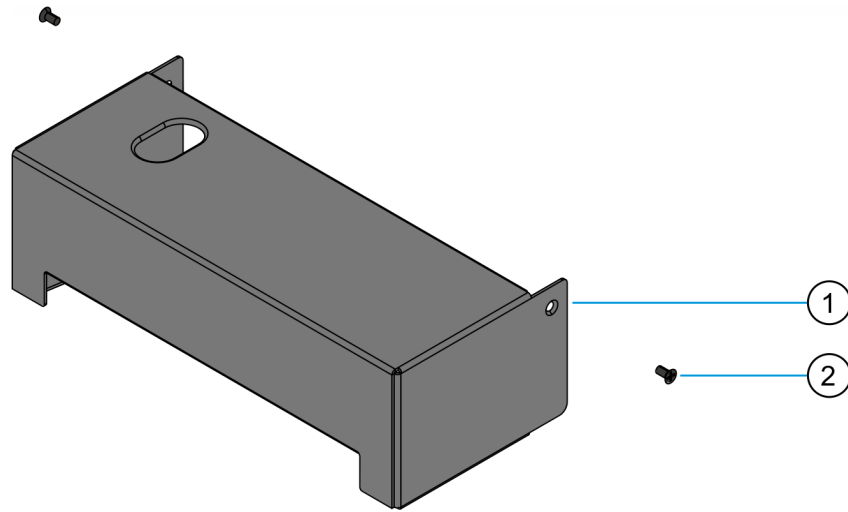
Revision Record

Issue	Date	Remarks
A	May 2023	First Issue

CX8 Cable Cover

This kit provides a Cable Cover for the NCR CX8 POS (7736).

Kit Contents

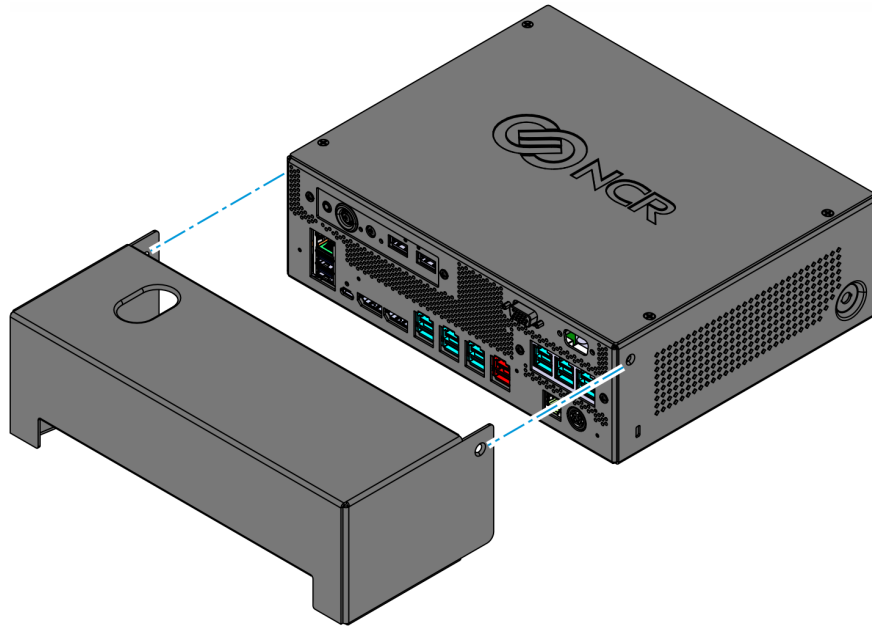


CCP-84001

Item	Part Number	Description
1	497-0535031	Security Bracket w/ Feet, CX8
2	006-8617801	Screw, M4x8, Flat Head, Steel, Black, Tri RoHS

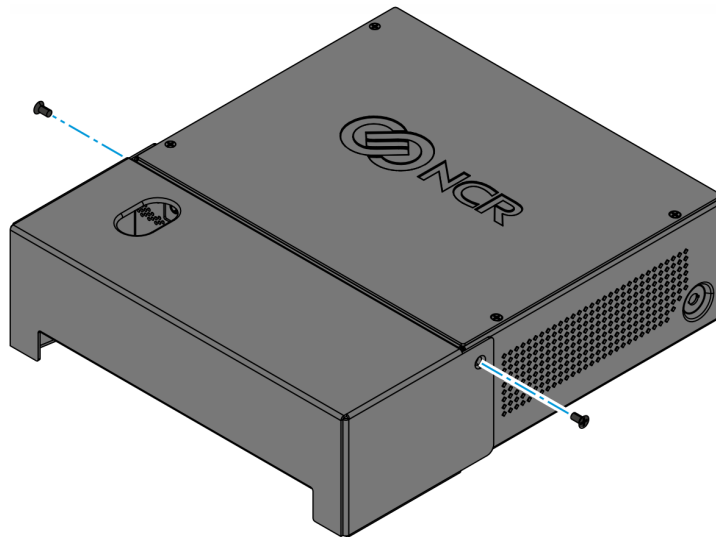
Installation Procedure

1. Align the screw holes of the Cable Cover with the screw holes of the chassis.



CCP-84002

2. Install the Cable Cover on the chassis (2 screws).



CCP-84003